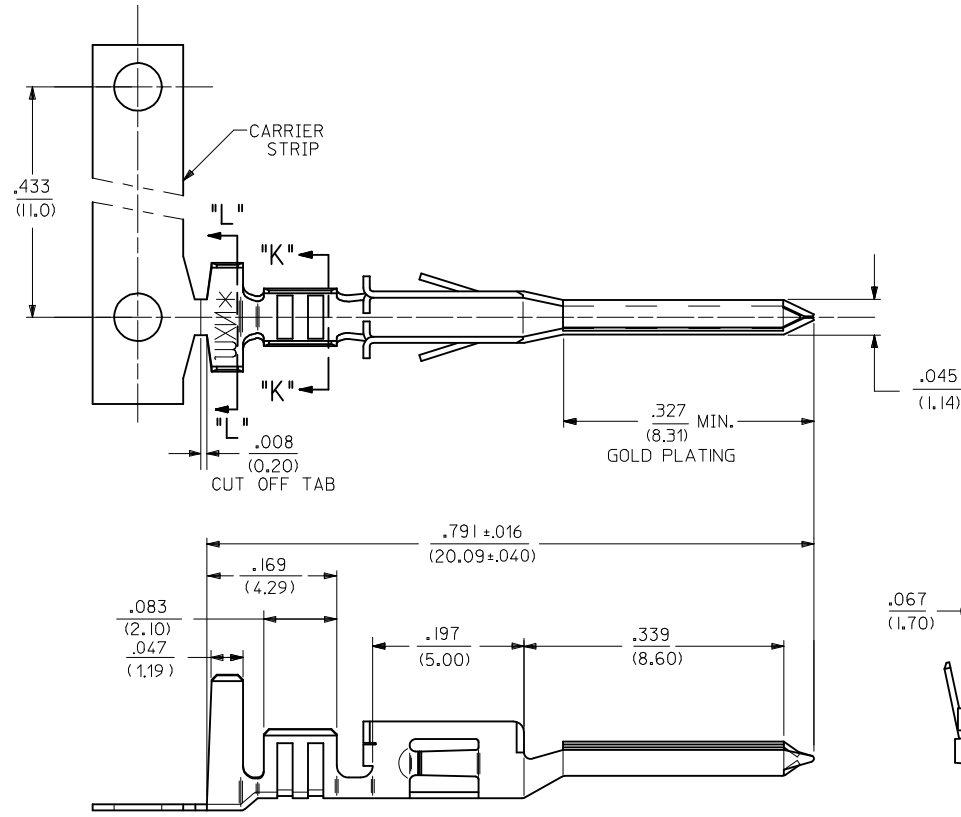
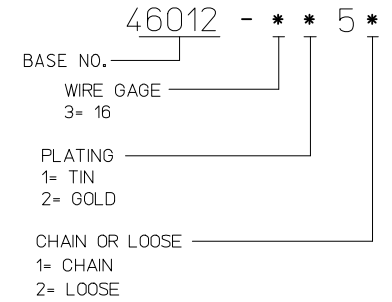
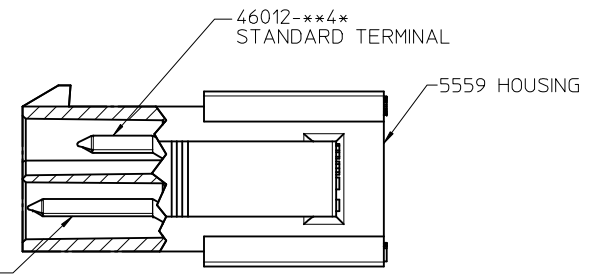
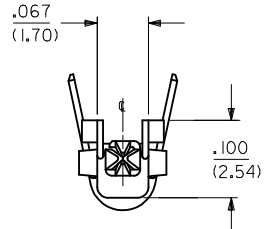


ITEM NO.	FORM	WIRE GAGE	RANGE OF INSULATION DIA.	DIM. "A"	DIM. "B"	DIM. "C"	DIM. "D"	DIM. "E"	DIM. "F"	FINISH (SEE NOTE 2)
46012-3151	CHAIN	16 GA.	.122 (3.10) MAX.	.091±.012	.106±.016	.024	.142±.012	.177±.016	.035	FINISH 1 - BRIGHT
46012-3152	LOOSE			(2.30±.30)	(2.70±.40)	(.60)	(3.60±.30)	(4.50±.40)	(.90)	TIN OVER NICKEL
46012-3251	CHAIN	16 GA.	.122 (3.10) MAX.	.091±.012	.106±.016	.024	.142±.012	.177±.016	.035	FINISH 2 - SEL. GOLD
46012-3252	LOOSE			(2.30±.30)	(2.70±.40)	(.60)	(3.60±.30)	(4.50±.40)	(.90)	AND SEL. TIN OVER NICKEL

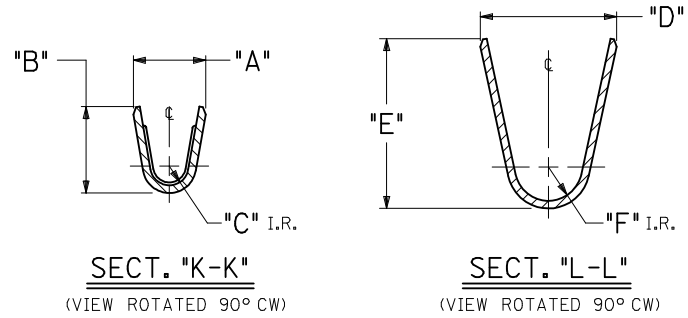
**LEGEND:**



- NOTES:
- MATERIAL: COPPER ALLOY
  - FINISH:
    - 1= .000100/(0.00254) MIN. BRIGHT TIN OVER .000050/(0.00127) MIN NICKEL OVERALL.
    - 2= .000030/(0.00076) MIN SELECT GOLD IN CONTACT AREA AND .000100/(0.00254) MIN SELECT MATTE TIN IN CRIMP AREA OVER .000050/(0.00127) MIN NICKEL OVERALL.
 GOLD PLATING RECOMMENDED FOR APPLICATIONS WHERE FRETTING CORROSION IS A CONCERN.
  - PRODUCT SPECIFICATION: PS-45750-001
  - PACKAGING SPECIFICATION: PK-46012-002 FOR CHAIN TERMINALS  
PK-5556-003 FOR LOOSE TERMINALS.
  - TERMINAL MATES WITH FEMALE TERMINAL SERIES 45750 AND CAN BE USED WITH MOLEX PLUG HOUSINGS 5559 AND 30068. TIP OF TERMINAL EXTENDS CLOSER TO HOUSING MATING FACE. SEE VIEW BELOW FOR TERMINAL POSITIONS. THIS TERMINAL CANNOT BE USED WITH 42475 OR 43588 HOUSINGS
  - THIS TERMINAL IS DESIGNED FOR SINGLE WIRE CRIMPING.
  - WHEN TERMINALS ARE INSTALLED IN THE HOUSINGS, THE WIRES ARE TO BE DRESSED IN SUCH A MANNER TO ALLOW THE TERMINALS TO FLOAT FREELY IN THE POCKETS.



TERMINALS SHOWN INSERTED IN HOUSING NOT TO SCALE



CREATE DRAWING EC NO: UCP2014-3954 DRWN:JBELL 2014/03/26 CHKD:JBELL 2014/03/26 APPR:FSMITH 2014/05/16	QUALITY SYMBOLS ▽=0 ▽=1 ▽=0	GENERAL TOLERANCES (UNLESS SPECIFIED)		DIMENSION STYLE IN/MM		SCALE 4:1	DESIGN UNITS METRIC	THIRD ANGLE PROJECTION	
		mm	INCH	DRAWN BY JBELL	DATE 2014/03/26	TITLE MALE CRIMP GROUNDING TERMINAL, MINI-FIT PLUS HCS SERIES	molex		
4 PLACES ± --- ± ---		3 PLACES ± --- ± .010		CHECKED BY JBELL		DATE 2014/03/26			
2 PLACES ± 0.25 ± .015		1 PLACE ± 0.38 ± ---		APPROVED BY FSMITH		DATE 2014/05/16	SHEET NO. 1 OF 1		
0 PLACE ± ±		ANGULAR ±1/2°		MATERIAL NO. SEE CHART		THIS DRAWING CONTAINS INFORMATION THAT IS PROPRIETARY TO MOLEX INCORPORATED AND SHOULD NOT BE USED WITHOUT WRITTEN PERMISSION			
DRAFT WHERE APPLICABLE MUST REMAIN WITHIN DIMENSIONS		SIZE C		FINISH					