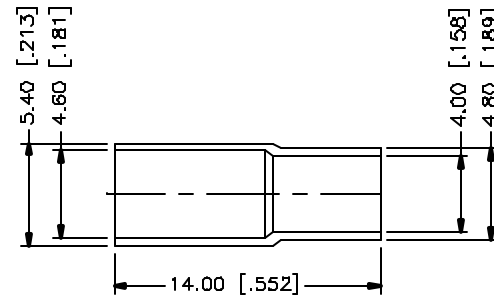
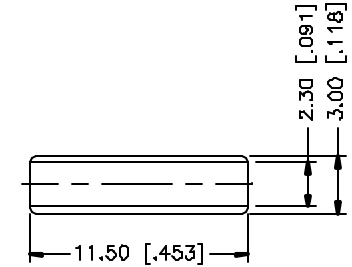
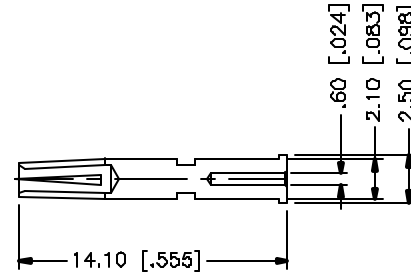
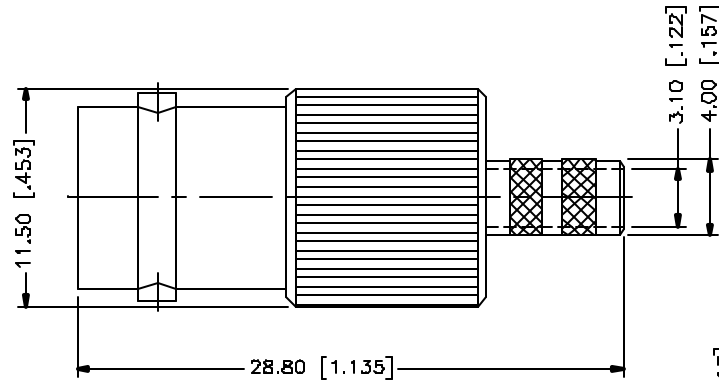
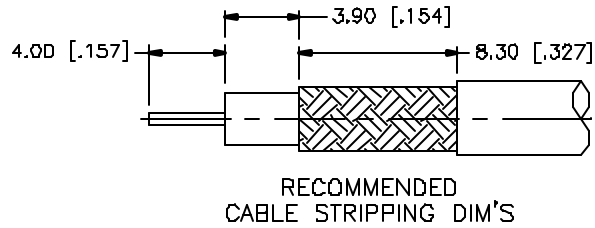


REV.	DATE	DESCRIPTION
NC	03/08/05	UPDATE DRAWING FORMAT



CRIMP NOTES:

1. CRIMPED FERRULE
HEX CRIMP SIZE .187"
2. CRIMPED CONTACT PIN
HEX CRIMP SIZE .068"

				UNLESS OTHERWISE SPECIFIED DIMENSIONS ARE IN MILLIMETERS. DIMENSIONS IN [] ARE IN INCHES AND FOR CUSTOMER REFERENCE ONLY.	APPROVALS	DATE	Amphenol Connex
8					DRAWN	G.R.S.	
7					CHECKED		
6					ISSUED		
5	FERRULE	COPPER	NICKEL	1	SHEET	1 OF 1	PART DESCRIPTION BNC CRIMP JACK (FOR B573945, Q841 MINI MAX 500 CABLE)
4	SLEEVE	DELFIN	NATURAL	1			PART NO. 112638
3	INSULATOR	DELFIN	NATURAL	1			
2	CONTACT PIN	PHOS. BRONZE	GOLD	1			
1	HOUSING/BODY	BRASS	NICKEL	1			
	DESCRIPTION	MATERIAL	FINISH	QTY	CAD FILE C:/112/112638.DWG		DWG NO. 112638.DWG
					DO NOT SCALE DRAWING		REV. NC
							SIZE A
							SCALE NA

UNLESS OTHERWISE SPECIFIED DIMENSIONS ARE IN MILLIMETERS. DIMENSIONS IN [] ARE IN INCHES AND FOR CUSTOMER REFERENCE ONLY.

UNLESS OTHERWISE SPECIFIED TOLERANCES FOR MILLIMETERS ARE:
 0.5 - 8mm ± 0.20mm
 8 - 30mm ± 0.40mm
 30 - 120mm ± 0.50mm

UNLESS OTHERWISE SPECIFIED TOLERANCES FOR INCHES ARE:
 .020 - .310 = ± 0.007"
 .315 - 1.180 = ± 0.015"
 1.180 - 4.724 = ± 0.020"