

6

5

4

3

2

1

E

E

D

D

C

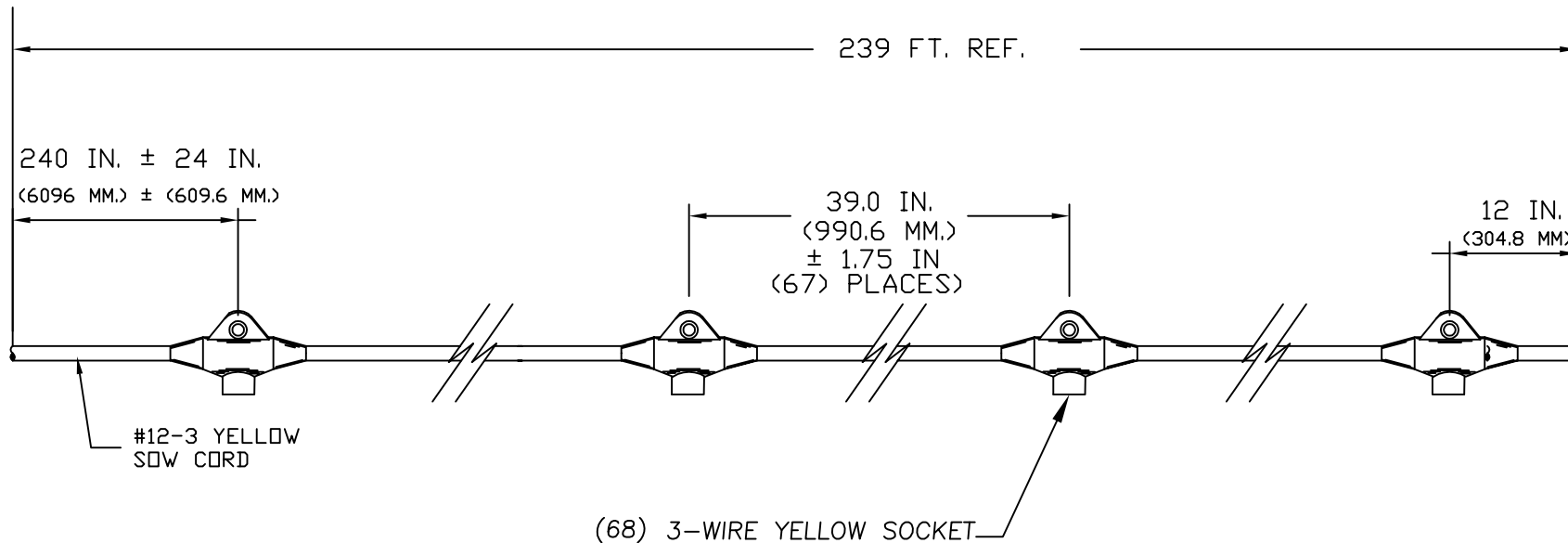
C

B

B

A

A



CUSTOMER DRAWING EC NO: WNA2008-0149 DRWN: TVICKERS 2008/03/24 CHKD: HK 2008/20/03 APPR: SZAFAR 2008/03/31	QUALITY SYMBOLS ▽=0 ∇=0	GENERAL TOLERANCES (UNLESS SPECIFIED)		DIMENSION STYLE IN/MM		SCALE ---	DESIGN UNITS INCH	THIRD ANGLE PROJECTION	
		4 PLACES ±--- ±---	DRAWN BY TV	DATE 2008/20/03	TITLE STRINGLIGHT 239 FEET (68)323 @ 39 IN.CENTERS 20 FT. LEAD & 1 FT. TAIL				
		3 PLACES ±--- ±.010	CHECKED BY HK	DATE 2008/20/03	MOLEX INCORPORATED				
		2 PLACES ±0.25 ±.030	APPROVED BY SZ	DATE 2008/20/03	MATERIAL NO. 1301060141	DOCUMENT NO. SD-130106-001	SHEET NO. 1 OF 1		
1 PLACE ±0.76 ±---	ANGULAR ±1/2°		THIS DRAWING CONTAINS INFORMATION THAT IS PROPRIETARY TO MOLEX INCORPORATED AND SHOULD NOT BE USED WITHOUT WRITTEN PERMISSION						
DRAFT WHERE APPLICABLE MUST REMAIN WITHIN DIMENSIONS									

6

5

4

3

2

1