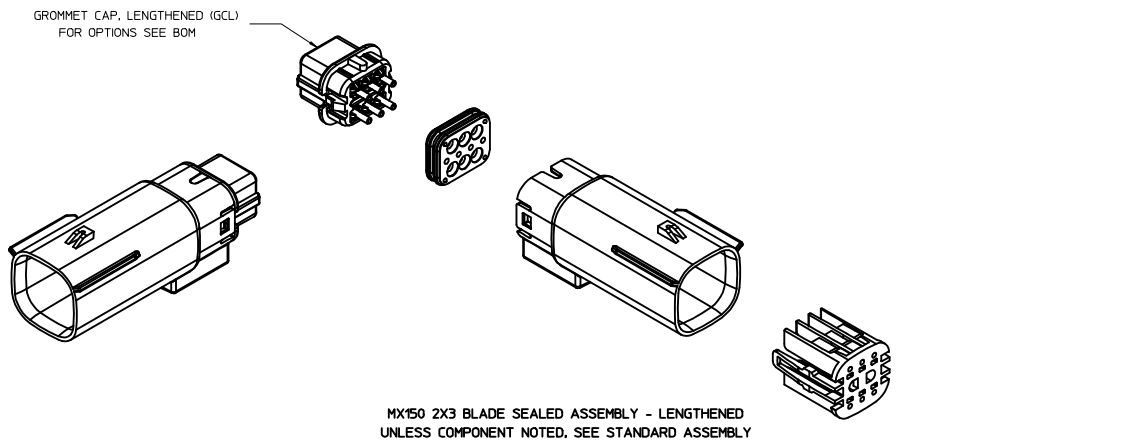
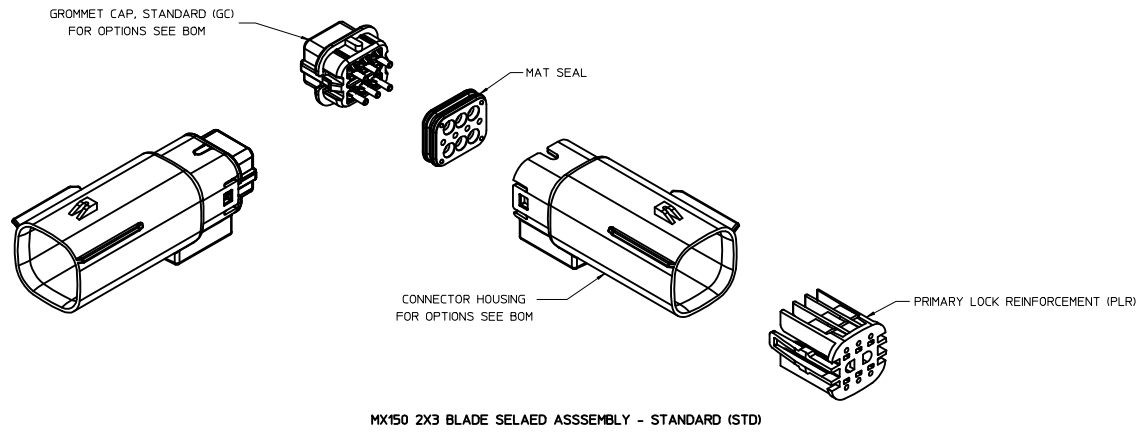


TABLE OF CONTENTS	
SHEET NO.	SHEET DESCRIPTION
1	NOTES
2	KEY CONFIGURATIONS
3	BLADE SEALED ASSEMBLY
4	SYSTEM PACKAGING
5	BACKSHELL NOTES
6	BACKSHELL
7	BACKSHELL CONFIGURATIONS
8	BOM



NOTES: VALID UNLESS OTHERWISE SPECIFIED

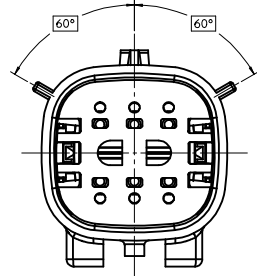
1. GENERAL:
 - a. APPLICATION SPECIFICATION SEE: AS-33472-100
CONTAINS: PRODUCT INTRODUCTION, PRODUCT SUMMARY, CONNECTOR ASSEMBLY, PACKAGING INFORMATION, CONNECTOR MATING, SERVICE INSTRUCTIONS, ELECTRICAL CONTINUITY CHECKING, CRIMPING, AND TROUBLESHOOTING.
-DESIGNED TO MATE WITH RECEPTACLE SEALED ASSEMBLY SPECIFIED IN MOLEX CHARTED DRAWING SD-33472-061 AND SD-33472-071.
-FOR 15mm BLADE TERMINALS TO BE USED WITH THIS ASSEMBLY SEE MOLEX DRAWING SD-33000-001
- SYSTEM TO BE USED WITH WIRE WITHIN DIAMETER RANGE OF 1.2mm TO 2.69mm.
-ASSEMBLY SHIPPED WITH PLR IN PRE-LOCK POSITION
-IN THE EVENT THAT THE PLR IS FOUND IN THE SEATED (FINAL LOCK) POSITION, REFER TO MOLEX SPECIFICATION PS-34646-001, AVAILABLE AT www.molex.com <<http://www.molex.com>>
-ASSEMBLY CONFORMS TO SAE/USCAR-2 REV.4 WITH THE FOLLOWING EXCEPTIONS: TERMINAL INSERTION FORCE FOR WIRE DIAMETER ABOVE 2.5mm NOT EXCEEDING 2.69mm SHALL NOT EXCEED 45 NEWTONS.
 - b. PRODUCT SPECIFICATION SEE: PS-33472-000
CONTAINS: PRODUCT INTRODUCTION, PRODUCT SUMMARY, RATINGS (CURRENT, TEMPERATURE, SEALING, AND FLAMMABILITY), AND PRODUCT VALIDATION.
 - c. PACKAGING SPECIFICATION PER MOLEX DRAWING: PK-31300-435
 - d. PARTS MUST BE IN COMPLIANCE TO MOLEX CHEMICAL SUBSTANCES FOR PRODUCTS AND PACKAGING SPECIFICATION: ES-40000-5016
 - e. DATA MUST BE SUBMITTED UNDER THE MOLEX PART NUMBER TO IMDS (COMPANY ID#13255)
2. DESIGN - MATERIALS:
 - a. SEE BOM TABLE
3. DESIGN - GEOMETRY:
 - a. THIS IS A 100% CAD GENERATED PART. THE CAD MATHEMATICAL DATA IS THE MASTER FOR THIS PART. FOR DIMENSIONAL OR ANY INFORMATION NOT SHOWN ON THIS DRAWING, ANALYZE THE CAD MODEL.
 - b. GEOMETRIC DIMENSIONS AND TOLERANCES PER ASME Y14.5M - 1994
 - c. EDGES AND UNDIMENSIONED DETAILS PER ISO13715
 - d. CORNERS SHOWN AS SHARP TO BE R 0.2 MAX.
 - e. LETTERING SHALL BE 0.15 MAX RAISED IN 0.25 MAX RECESS PAD. THIS INCLUDES RECYCLING CODE, CAVITY ID, VENDOR IDENTIFICATION, AND CUSTOMER MATERIAL NUMBER.
 - f. VISUAL DEFECTS SHALL MEET COSMETIC STANDARD PS-45499-002 (Class B).
 - g. LASER MARKING: TBD

INSPECTION NUMBER LOG
LAST NUMBER USED: 5
ADDED:
REMOVED: 2

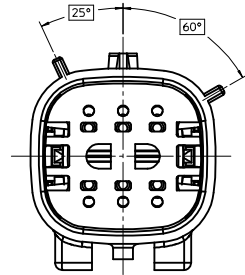
AA1	UPDATED BACKSHELL INFORMATION
AA	UPDATED GROMMET CAP
Z7	RENAMED BACKSHELLS
Z6	ADDED PASS THRU CHARTED DIMENSIONS
Z5	UPDATED USCAR EXCEPTIONS
Z4	UPDATED DRW/ADDED BACKSHELL
REV	DESCRIPTION

REVISED REC NO: UAU2013-1558 DRWNG: DAHALL CHKD: APPR: VKOSHY 2013/04/08 DESCRIPTION	QUALITY SYMBOLS	GENERAL TOLERANCES (UNLESS SPECIFIED)	DIMENSION STYLE	SCALE	DESIGN UNITS	THIRD ANGLE PROJECTION
	$\nabla=0$ $\nabla=0$ $\nabla=0$	mm INCH 4 PLACES ± --- ± --- 3 PLACES ± --- ± --- 2 PLACES ± 0.10 ± --- 1 PLACE ± 0.3 ± --- 0 PLACE ± ±	MM ONLY DRAWN BY DATE MDICK 2011/07/22 CHECKED BY DATE MDICK 2011/12/19 APPROVED BY DATE	2:1	METRIC	
	ANGULAR ± 3 ° DRAFT WHERE APPLICABLE MUST REMAIN WITHIN DIMENSIONS	MATERIAL NO. SEE BOM	TITLE MX150 2X3 BLADE SEALED ASSEMBLY MAT SEAL			
	SIZE D	DOCUMENT NO. SD-33482-061	SHEET NO. 1 OF 8			

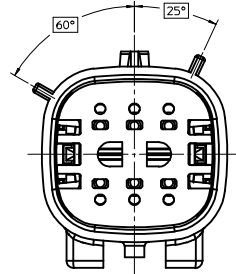
KEY CONFIGURATIONS



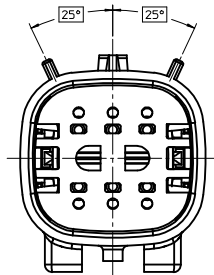
KEY A



KEY B



KEY C

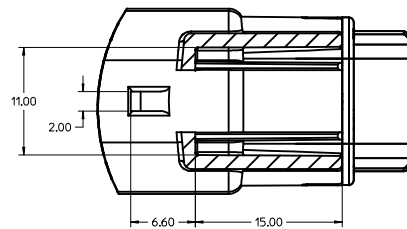
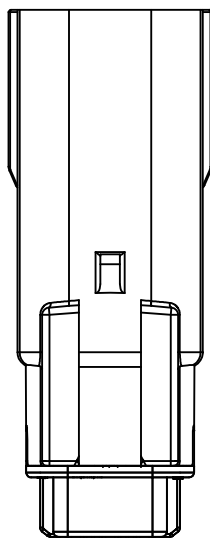
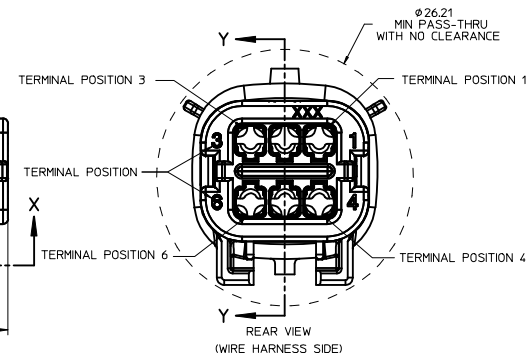
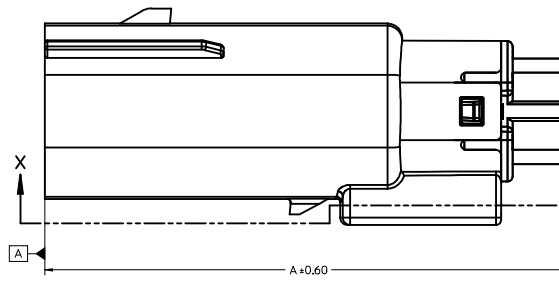
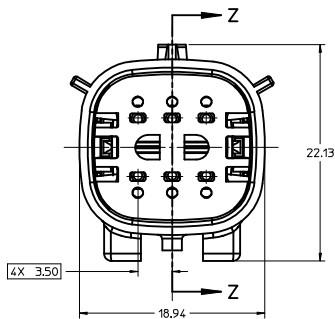
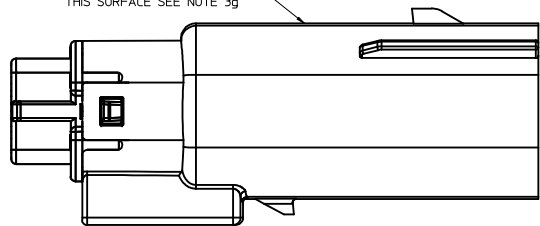


KEY D

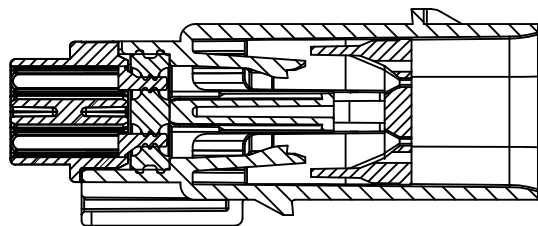
REVISED REC NO. UAU2013-1558 DRAWN BY CHYK APPR: YKOSHY 2013/04/02 2013/04/08 AA1	QUALITY SYMBOLS	GENERAL TOLERANCES (UNLESS SPECIFIED)	DIMENSION STYLE	SCALE	DESIGN UNITS	THIRD ANGLE PROJECTION
	▽=0	mm INCH	MM ONLY	4:1	METRIC	☉
	▽=0	4 PLACES ± --- ± ---	DRAWN BY DATE	TITLE		
	▽=0	3 PLACES ± --- ± ---	MDICK 2011/07/22	MX150 2X3 BLADE SEALED ASSEMBLY MAT SEAL		
	2 PLACES ± 0.10 ± ---	CHECKED BY DATE	MATERIAL NO.			DOCUMENT NO.
	1 PLACE ± 0.3 ± ---	MDICK 2011/12/19	SEE BOM			SD-33482-061
	0 PLACE ± ±	APPROVED BY DATE	SIZE D			SHEET NO. 2 OF 8
		ANGULAR ± 3 °	THIS DRAWING CONTAINS INFORMATION THAT IS PROPRIETARY TO MOLEX INCORPORATED AND SHOULD NOT BE USED WITHOUT WRITTEN PERMISSION			
		DRAFT WHERE APPLICABLE MUST REMAIN WITHIN DIMENSIONS				

BLADE SEALED ASSEMBLY

OPTIONAL LASER MARKING ON THIS SURFACE SEE NOTE 3g

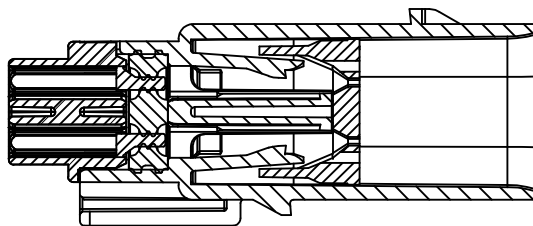


Partial X-X
SCALE 4:1



PRIMARY LOCK REINFORCEMENT (PLR) SHOWN IN PRE-STAGED POSITION

SECTION Z-Z



PRIMARY LOCK REINFORCEMENT (PLR) SHOWN IN FINAL-LOCK POSITION

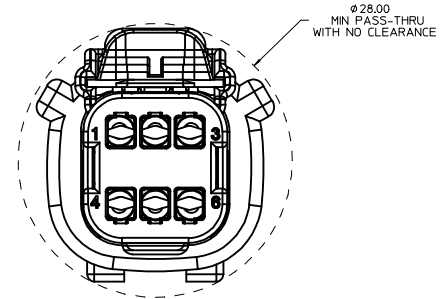
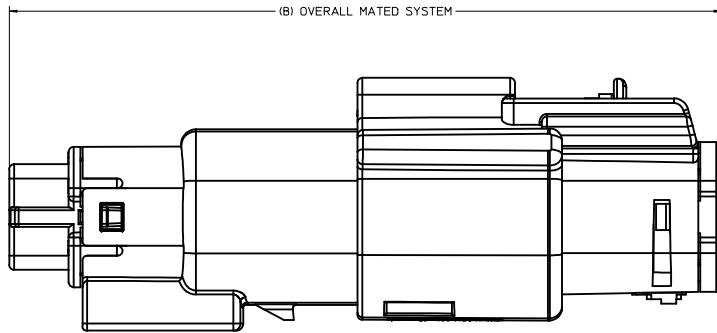
SECTION Y-Y

CHARTED DIMENSIONS	
CONFIGURATION	A
MX150 2X3 BLADE SEALED ASSEMBLY - STANDARD	53.85
MX150 2X3 BLADE SEALED ASSEMBLY - LENGTHENED	55.85

REVISED DEC NO. UAU2013-1558 DRAWN BY: MDICK CHKD: APPR: VKOSHY AA1 REV DESCRIPTION 2013/04/02	QUALITY SYMBOLS	GENERAL TOLERANCES (UNLESS SPECIFIED)	DIMENSION STYLE	SCALE	DESIGN UNITS	THIRD ANGLE PROJECTION	
	∇=0 ∇=0 ∇=0	mm INCH 4 PLACES ± --- ± --- 3 PLACES ± --- ± --- 2 PLACES ± 0.10 ± --- 1 PLACE ± 0.3 ± --- 0 PLACE ± ±	MM ONLY	4:1	METRIC	DRAWN BY: MDICK DATE: 2011/07/22 CHECKED BY: DATE: MDICK 2011/12/19 APPROVED BY: DATE:	MX150 2X3 BLADE SEALED ASSEMBLY MAT SEAL molex MATERIAL NO. SEE BOM DOCUMENT NO. SD-33482-061
	ANGULAR ± 3 ° DRAFT WHERE APPLICABLE MUST REMAIN WITHIN DIMENSIONS	SIZE D THIS DRAWING CONTAINS INFORMATION THAT IS PROPRIETARY TO MOLEX INCORPORATED AND SHOULD NOT BE USED WITHOUT WRITTEN PERMISSION				SHEET NO. 3 OF 8	

20 19 18 17 16 15 14 13 12 11 10 9 8 7 6 5 4 3 2 1

SYSTEM PACKAGING



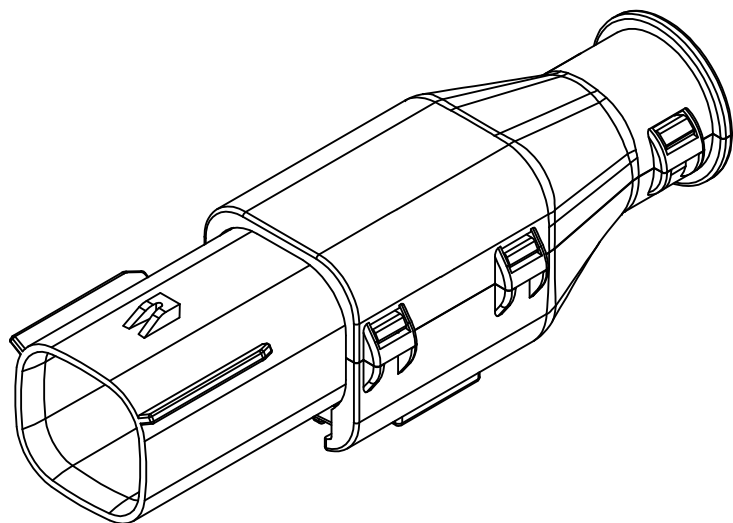
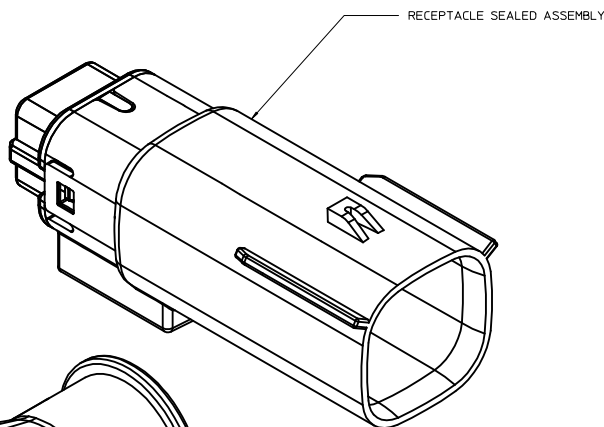
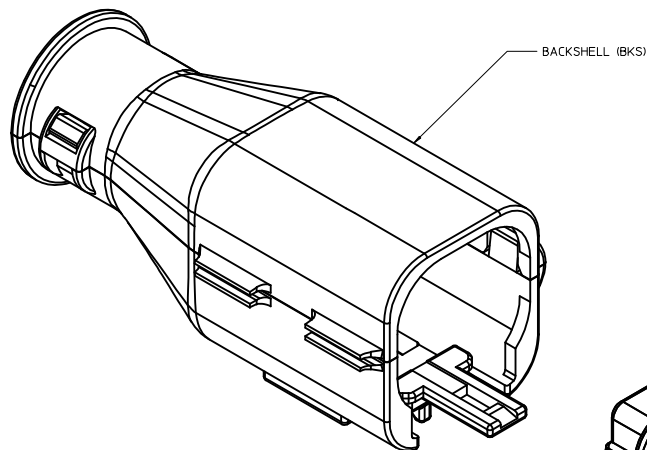
CHARTED DIMENSIONS	
CONFIGURATION	B
MX150 2X3 BLADE SEALED ASSEMBLY - STANDARD	72.78
MX150 2X3 BLADE SEALED ASSEMBLY - LENGTHENED	74.79

CHARTED DIMENSIONS	
CONFIGURATION	C
MX150 2X3 RECEPTACLE SEALED ASSEMBLY WITHOUT CLIPSLLOT	30.50
MX150 2X3 RECEPTACLE SEALED ASSEMBLY WITH CLIPSLLOT	28.00

REVISED REC NO: UAU2013-1558 DRAWN BY: DRW/DHALL CHKD: APPR: VKOSHY 2013/04/02 2013/04/08 DESCRIPTION	QUALITY SYMBOLS	GENERAL TOLERANCES (UNLESS SPECIFIED)	DIMENSION STYLE	SCALE	DESIGN UNITS	THIRD ANGLE PROJECTION
	▽=0	mm INCH	MM ONLY	4:1	METRIC	☉
	▽=0	4 PLACES ± --- ± ---	DRAWN BY DATE			
	▽=0	3 PLACES ± --- ± ---	MDICK 2011/07/22			
	2 PLACES ± 0.10 ± ---	CHECKED BY DATE				MX150 2X3 BLADE SEALED ASSEMBLY MAT SEAL molex
	1 PLACE ± 0.3 ± ---	MDICK 2011/12/19				
	0 PLACE ± ±	APPROVED BY DATE				
		ANGULAR ± 3 °	MATERIAL NO.	DOCUMENT NO.		SHEET NO.
		DRAFT WHERE APPLICABLE MUST REMAIN WITHIN DIMENSIONS	SEE BOM	SD-33482-061		4 OF 8
			SIZE D	THIS DRAWING CONTAINS INFORMATION THAT IS PROPRIETARY TO MOLEX INCORPORATED AND SHOULD NOT BE USED WITHOUT WRITTEN PERMISSION		

19 18 17 16 15 14 13 12 11 10 9 8 7 6 5 4 3 2 1

BACKSHELL NOTES



BACKSHELL NOTES: VALID UNLESS OTHERWISE SPECIFIED

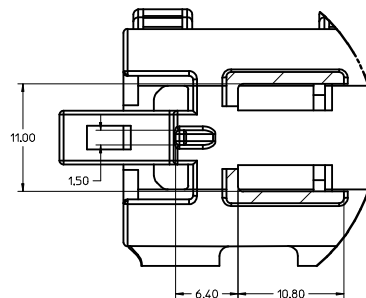
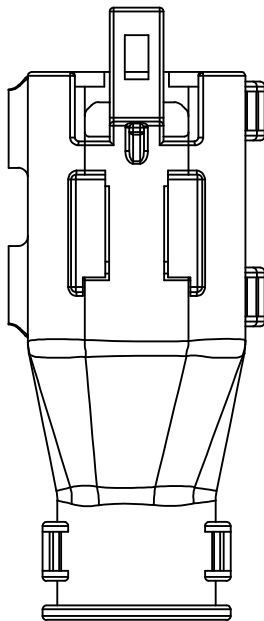
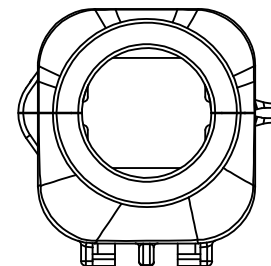
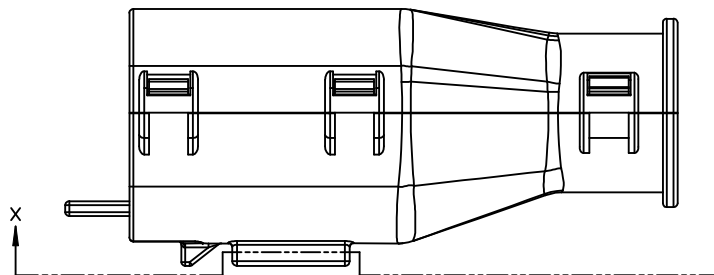
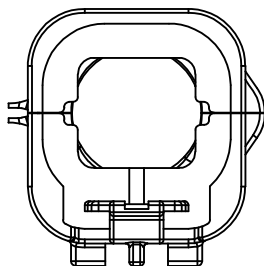
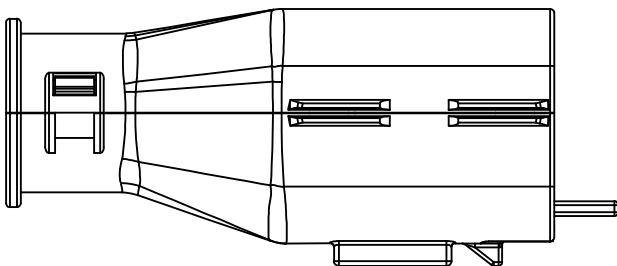
1. GENERAL:

- a. APPLICATION SPECIFICATION SEE: AS-34951-001
 - DESIGNED TO MATE WITH BLADE SEALED ASSEMBLY SPECIFIED IN MOLEX DRAWING SD-33482-061.
 - SYSTEM TO BE USED WITH WIRE WITHIN DIAMETER RANGE OF 1.2mm TO 2.69mm.
 - COMPONENTS ARE OPTIONAL AND MUST BE PURCHASED SEPARATELY
 - BACKSHELL DESIGN IS OWNED BY SCHLEMMER
 - FOR ADDITIONAL INFORMATION SEE THE BACKSHELL COMPONENT DRAWING SD-34950-0001.

REVISED REC NO: UAU2013-1558 DRAWN: DAHALL CHYK: APPR: YKOSHY 2013/04/02 2013/04/08 DESCRIPTION AA1 REY	QUALITY SYMBOLS	GENERAL TOLERANCES (UNLESS SPECIFIED)	DIMENSION STYLE	SCALE	DESIGN UNITS	THIRD ANGLE PROJECTION	
	▽=0	mm INCH	MM ONLY	4:1	METRIC	☉	
	▽=0	4 PLACES ± 0.10	DRAWN BY DATE				
	▽=0	3 PLACES ± 0.03	CHECKED BY DATE				
	2 PLACES ± 0.10	APPROVED BY DATE					
	1 PLACE ± 0.3						
	0 PLACE ±						
	ANGULAR ± 3 °	MATERIAL NO.					
	DRAFT WHERE APPLICABLE MUST REMAIN WITHIN DIMENSIONS	SEE BOM					
		DOCUMENT NO.					
		SD-33482-061					
		SHEET NO.					
		5 OF 8					
		THIS DRAWING CONTAINS INFORMATION THAT IS PROPRIETARY TO MOLEX INCORPORATED AND SHOULD NOT BE USED WITHOUT WRITTEN PERMISSION					

20 19 18 17 16 15 14 13 12 11 10 9 8 7 6 5 4 3 2 1

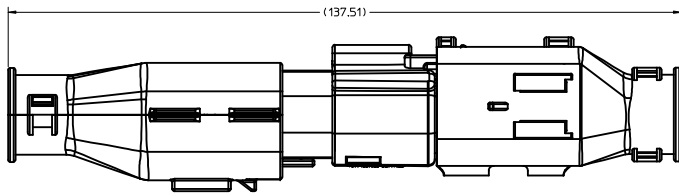
BACKSHELL
THE VIEWS ON THIS SHEET ARE
IN THE CLOSED UN-ASSEMBLED POSITION



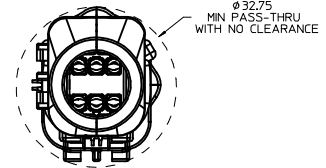
Partial X-X
SCALE 4:1

REVISED REC NO: UAU2013-1558 DRAWN BY: CHYK APPR: VKOSHY 2013/04/02 2013/04/08 AA1	QUALITY SYMBOLS	GENERAL TOLERANCES (UNLESS SPECIFIED)	DIMENSION STYLE	SCALE	DESIGN UNITS	THIRD ANGLE PROJECTION	
	∇=0 ∇=0 ∇=0	mm INCH 4 PLACES ± --- ± --- 3 PLACES ± --- ± --- 2 PLACES ± 0.10 ± --- 1 PLACE ± 0.3 ± --- 0 PLACE ± ±	MM ONLY	4:1	METRIC	DRAWN BY DATE MD LCK 2011/07/22 CHECKED BY DATE MD LCK 2011/12/19 APPROVED BY DATE	TITLE MX150 2X3 BLADE SEALED ASSEMBLY MAT SEAL
	ANGULAR ± 3 ° DRAFT WHERE APPLICABLE MUST REMAIN WITHIN DIMENSIONS	MATERIAL NO.	DOCUMENT NO.	SHEET NO.			
	SEE BOM	SD-33482-061	6 OF 8	molex THIS DRAWING CONTAINS INFORMATION THAT IS PROPRIETARY TO MOLEX INCORPORATED AND SHOULD NOT BE USED WITHOUT WRITTEN PERMISSION			

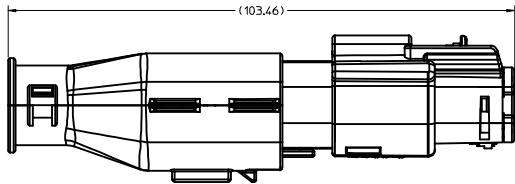
19 18 17 16 15 14 13 12 11 10 9 8 7 6 5 4 3 2 1



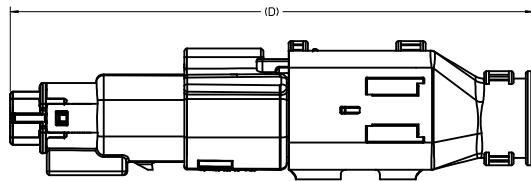
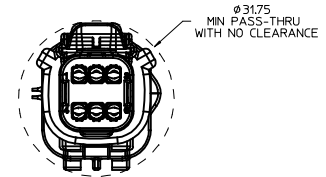
OVERALL MATED SYSTEM WITH BLADE AND RECEPTACLE BACKSHELL



BACKSHELL CONFIGURATIONS

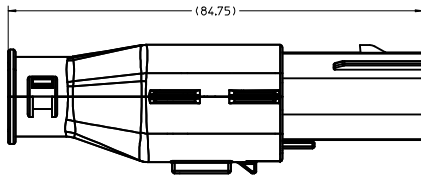
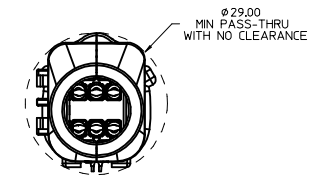


OVERALL MATED SYSTEM WITH BLADE BACKSHELL

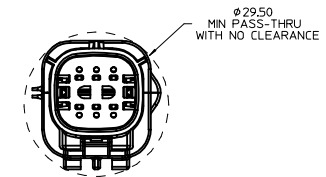


OVERALL MATED SYSTEM WITH RECEPTACLE BACKSHELL

CHARTED DIMENSIONS	
CONFIGURATION	D
MX150 2X3 BLADE SEALED ASSEMBLY - STANDARD	106.83
MX150 2X3 BLADE SEALED ASSEMBLY - LENGTHENED	108.71



BLADE SEALED ASSEMBLY WITH BLADE BACKSHELL



REVISED REC NO: UAU2013-1558 DRAWN BY: MDR/DHALL CHYK: 2013/04/02 APPR: VKOSHY 2013/04/08 DESCRIPTION	QUALITY SYMBOLS	GENERAL TOLERANCES (UNLESS SPECIFIED)	DIMENSION STYLE	SCALE	DESIGN UNITS	THIRD ANGLE PROJECTION																																									
	$\nabla=0$ $\nabla=0$ $\nabla=0$	<table border="1"> <thead> <tr> <th></th> <th>mm</th> <th>INCH</th> </tr> </thead> <tbody> <tr> <td>4 PLACES</td> <td>± .05</td> <td>± .002</td> </tr> <tr> <td>3 PLACES</td> <td>± .08</td> <td>± .003</td> </tr> <tr> <td>2 PLACES</td> <td>± 0.10</td> <td>± .004</td> </tr> <tr> <td>1 PLACE</td> <td>± 0.3</td> <td>± .012</td> </tr> <tr> <td>0 PLACE</td> <td>±</td> <td>±</td> </tr> </tbody> </table>		mm	INCH	4 PLACES	± .05	± .002	3 PLACES	± .08	± .003	2 PLACES	± 0.10	± .004	1 PLACE	± 0.3	± .012	0 PLACE	±	±	<table border="1"> <thead> <tr> <th>mm ONLY</th> <th>SCALE</th> </tr> </thead> <tbody> <tr> <td>MM ONLY</td> <td>2:1</td> </tr> </tbody> </table>	mm ONLY	SCALE	MM ONLY	2:1	<table border="1"> <thead> <tr> <th>DATE</th> <th>TITLE</th> </tr> </thead> <tbody> <tr> <td>2011/07/22</td> <td rowspan="3">MX150 2X3 BLADE SEALED ASSEMBLY MAT SEAL</td> </tr> <tr> <td>2011/12/19</td> </tr> <tr> <td></td> </tr> </tbody> </table>	DATE	TITLE	2011/07/22	MX150 2X3 BLADE SEALED ASSEMBLY MAT SEAL	2011/12/19		<table border="1"> <thead> <tr> <th>DATE</th> <th>APPROVED BY</th> </tr> </thead> <tbody> <tr> <td></td> <td></td> </tr> </tbody> </table>	DATE	APPROVED BY			<table border="1"> <thead> <tr> <th>DATE</th> <th>DATE</th> </tr> </thead> <tbody> <tr> <td></td> <td></td> </tr> </tbody> </table>	DATE	DATE			<table border="1"> <thead> <tr> <th>DATE</th> <th>DATE</th> </tr> </thead> <tbody> <tr> <td></td> <td></td> </tr> </tbody> </table>	DATE	DATE		
		mm	INCH																																												
	4 PLACES	± .05	± .002																																												
3 PLACES	± .08	± .003																																													
2 PLACES	± 0.10	± .004																																													
1 PLACE	± 0.3	± .012																																													
0 PLACE	±	±																																													
mm ONLY	SCALE																																														
MM ONLY	2:1																																														
DATE	TITLE																																														
2011/07/22	MX150 2X3 BLADE SEALED ASSEMBLY MAT SEAL																																														
2011/12/19																																															
DATE	APPROVED BY																																														
DATE	DATE																																														
DATE	DATE																																														
MATERIAL NO. SEE BOM	DOCUMENT NO. SD-33482-061	SHEET NO. 7 OF 8																																													
SIZE D			THIS DRAWING CONTAINS INFORMATION THAT IS PROPRIETARY TO MOLEX INCORPORATED AND SHOULD NOT BE USED WITHOUT WRITTEN PERMISSION																																												

ASSEMBLY DESCRIPTION	ASSEMBLY PART NUMBER	A	B	C	D	D	GC	GCL	1	2	3	4	5	6	STATUS	COMMENTS	BACKSHELL WITH RIBS	BACKSHELL WITHOUT RIBS	
KEY A, BLACK	33482-0640	A					GC					4			SALEABLE		34950-0610	34950-0620	
KEY A W/ LENGTHENED CAP, BLACK	33482-0639	A					GC	GCL	1	2	3	4	5	6	SALEABLE		34950-0610	34950-0620	
KEY C, DARK GRAY	33482-0638	A			C		GC				3				SALEABLE		34950-0610	34950-0620	
KEY A, BLACK	33482-0637	A					GC			2				6	SALEABLE		34950-0610	34950-0620	
KEY A W/ LENGTHENED CAP, BLACK	33482-0636	A					GC				3				SALEABLE		34950-0610	34950-0620	
KEY C W/ LENGTHENED CAP, DARK GRAY	33482-0635	A			C		GC				3				SALEABLE		34950-0610	34950-0620	
KEY D W/ LENGTHENED CAP, STONE GRAY	33482-0634	A			D		GC					3			TOOLED BUT NOT VALIDATED		34950-0610	34950-0620	
KEY C W/ LENGTHENED CAP, DARK GRAY	33482-0633	A			C		GC								SALEABLE		34950-0610	34950-0620	
KEY B W/ LENGTHENED CAP, LIGHT GRAY	33482-0632	B					GC								TOOLED BUT NOT VALIDATED		34950-0610	34950-0620	
KEY A W/ LENGTHENED CAP, BLACK	33482-0631	A					GC								SALEABLE		34950-0610	34950-0620	
KEY A, BLACK	33482-0630	A					GC				3			6	SALEABLE		34950-0610	34950-0620	
KEY D, STONE GRAY	33482-0629	A			D		GC								TOOLED BUT NOT VALIDATED		34950-0610	34950-0620	
KEY C, DARK GRAY	33482-0628	A			C		GC								SALEABLE		34950-0610	34950-0620	
KEY A, BLACK	33482-0627	A					GC				2	3		5	6	SALEABLE		34950-0610	34950-0620
KEY A, BLACK	33482-0626	A					GC		1	2	3	4			SALEABLE		34950-0610	34950-0620	
KEY B, LIGHT GRAY	33482-0625	B					GC		1				5		TOOLED BUT NOT VALIDATED		34950-0610	34950-0620	
KEY A, BLACK	33482-0624	A					GC						6		SALEABLE		34950-0610	34950-0620	
KEY A, BLACK	33482-0623	A					GC						5		SALEABLE		34950-0610	34950-0620	
KEY A, BLACK	33482-0622	A					GC					4	5	6	SALEABLE		34950-0610	34950-0620	
KEY A, BLACK	33482-0621	A					GC		1			4	5		SALEABLE		34950-0610	34950-0620	
KEY A, BLACK	33482-0620	A					GC		1	2	3	4	5	6	SALEABLE		34950-0610	34950-0620	
KEY A, BLACK	33482-0619	A					GC			2	3	4	5		SALEABLE		34950-0610	34950-0620	
KEY A, BLACK	33482-0618	A					GC						5	6	SALEABLE		34950-0610	34950-0620	
KEY A, BLACK	33482-0617	A					GC			2					SALEABLE		34950-0610	34950-0620	
KEY A, BLACK	33482-0616	A					GC				3				SAME AS P/N 33482-0606		34950-0610	34950-0620	
VOID KEY	33482-0615																		
KEY D, GREEN	33482-0614				D		GC				3	4			TOOLED BUT NOT VALIDATED		34950-0610	34950-0620	
KEY C, BROWN	33482-0613				C		GC				3	4			TOOLED BUT NOT VALIDATED		34950-0610	34950-0620	
KEY B, LIGHT GRAY	33482-0612	B					GC				3	4			TOOLED BUT NOT VALIDATED		34950-0610	34950-0620	
KEY A, BLACK	33482-0611	A					GC				3	4			SALEABLE		34950-0610	34950-0620	
VOID KEY	33482-0610																		
KEY D, GREEN	33482-0609				D		GC				3				TOOLED BUT NOT VALIDATED		34950-0610	34950-0620	
KEY C, BROWN	33482-0608				C		GC				3				TOOLED BUT NOT VALIDATED		34950-0610	34950-0620	
KEY B, LIGHT GRAY	33482-0607	B					GC				3				TOOLED BUT NOT VALIDATED		34950-0610	34950-0620	
KEY A, BLACK	33482-0606	A					GC				3				SALEABLE		34950-0610	34950-0620	
VOID KEY	33482-0605																		
KEY D, GREEN	33482-0604				D		GC								NOT RECOMMENDED, SEE 33482-0629		34950-0610	34950-0620	
KEY C, BROWN	33482-0603				C		GC								NOT RECOMMENDED, SEE 33482-0628		34950-0610	34950-0620	
KEY B, LIGHT GRAY	33482-0602	B					GC								TOOLED BUT NOT VALIDATED		34950-0610	34950-0620	
KEY A, BLACK	33482-0601	A					GC								SALEABLE		34950-0610	34950-0620	
		A	B	C	D	D	GC	GCL	1	2	3	4	5	6					

STANDARD PLR	NATURAL	SPS/NYLON GF20
MAT SEAL	BURNT ORANGE	INHERENTLY LUBRICATED SILICONE
GROMMET CAP, LENGTHENED	BLACK	SPS/NYLON GF20
GROMMET CAP, STANDARD	BLACK	SPS/NYLON GF20
HOUSING KEYING OPTION D	STONE GRAY	SPS/NYLON GF20
HOUSING KEYING OPTION C	DARK GRAY	SPS/NYLON GF20
HOUSING KEYING OPTION D	GREEN	SPS/NYLON GF20
HOUSING KEYING OPTION C	BROWN	SPS/NYLON GF20
HOUSING KEYING OPTION B	LIGHT GRAY	SPS/NYLON GF20
HOUSING KEYING OPTION A	BLACK	SPS/NYLON GF20
DESCRIPTION	COLOR	MATERIAL

BOM/APPLICABLE COMPONENTS TABLE

ABREVIATION	COMPONENT
A	HOUSING KEY A
B	HOUSING KEY B
C	HOUSING KEY C
D	HOUSING KEY D
GC	GROMMET CAP, STANDARD
GCL	GROMMET CAP, LENGTHENED
M	MAT SEAL
P	PLR, STANDARD
BKS	BACKSHELL

REVISED ELEC NO. UAU2013-1558 2013/04/02 DRAWN: DAHALL CHYK: APPR: VIOSHY 2013/04/08 REVISION DESCRIPTION AA1	QUALITY SYMBOLS ∇=0 ∇=0 ∇=0	GENERAL TOLERANCES (UNLESS SPECIFIED) <table border="1"> <tr><th></th><th>mm</th><th>INCH</th></tr> <tr><td>4 PLACES</td><td>±.005</td><td>±.0005</td></tr> <tr><td>3 PLACES</td><td>±.008</td><td>±.0008</td></tr> <tr><td>2 PLACES</td><td>±0.10</td><td>±.004</td></tr> <tr><td>1 PLACE</td><td>±0.3</td><td>±.012</td></tr> <tr><td>0 PLACE</td><td>±</td><td>±</td></tr> </table>		mm	INCH	4 PLACES	±.005	±.0005	3 PLACES	±.008	±.0008	2 PLACES	±0.10	±.004	1 PLACE	±0.3	±.012	0 PLACE	±	±	DIMENSION STYLE MM ONLY SCALE DESIGN UNITS METRIC THIRD ANGLE PROJECTION	DRAWN BY DATE MDICK 2011/07/22 CHECKED BY DATE MDICK 2011/12/19 APPROVED BY DATE	TITLE MX150 2X3 BLADE SEALED ASSEMBLY MAT SEAL molex MATERIAL NO. SEE BOM DOCUMENT NO. SD-33482-061 SHEET NO. 8 OF 8
		mm	INCH																				
	4 PLACES	±.005	±.0005																				
3 PLACES	±.008	±.0008																					
2 PLACES	±0.10	±.004																					
1 PLACE	±0.3	±.012																					
0 PLACE	±	±																					
DRAFT WHERE APPLICABLE MUST REMAIN WITHIN DIMENSIONS																							
THIS DRAWING CONTAINS INFORMATION THAT IS PROPRIETARY TO MOLEX INCORPORATED AND SHOULD NOT BE USED WITHOUT WRITTEN PERMISSION																							