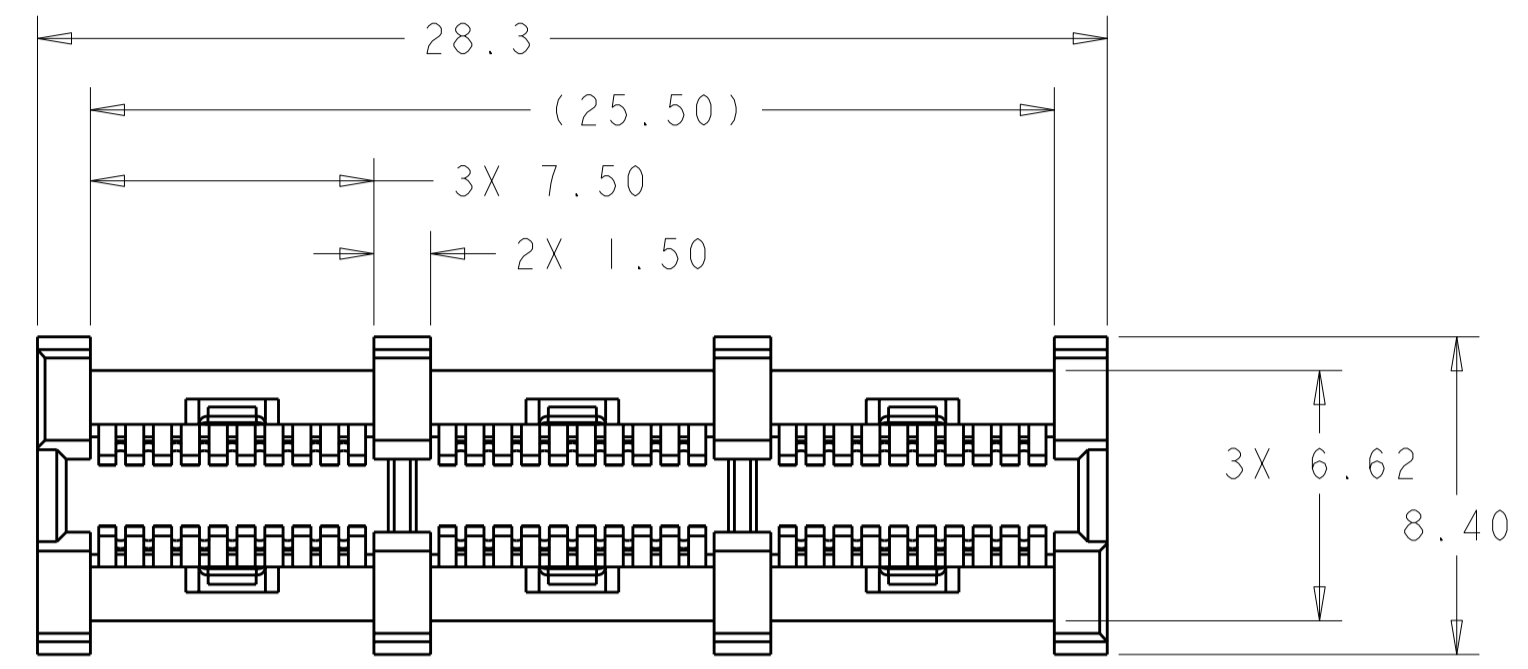


THIS DRAWING IS UNPUBLISHED. RELEASED FOR PUBLICATION 20
 © COPYRIGHT 20 BY TYCO ELECTRONICS CORPORATION. ALL RIGHTS RESERVED.

LOC	DIST	REVISIONS			
P	LTR	DESCRIPTION	DATE	DWN	APVD
GP	00				
	C	REV PER ECO-08-032073	12JAN2009	RG	PD
	CI	REVISED PER ECO-09-025699	11DEC09	KK	AEG



1. PART NUMBER CHANGES AND OR DESIGN CHANGES AFFECTING ITEM INTERCHANGEABILITY REQUIRE PRIOR TYCO ELECTRONICS APPROVAL AND AUTHORIZATION BY REVISION TO THIS DRAWING

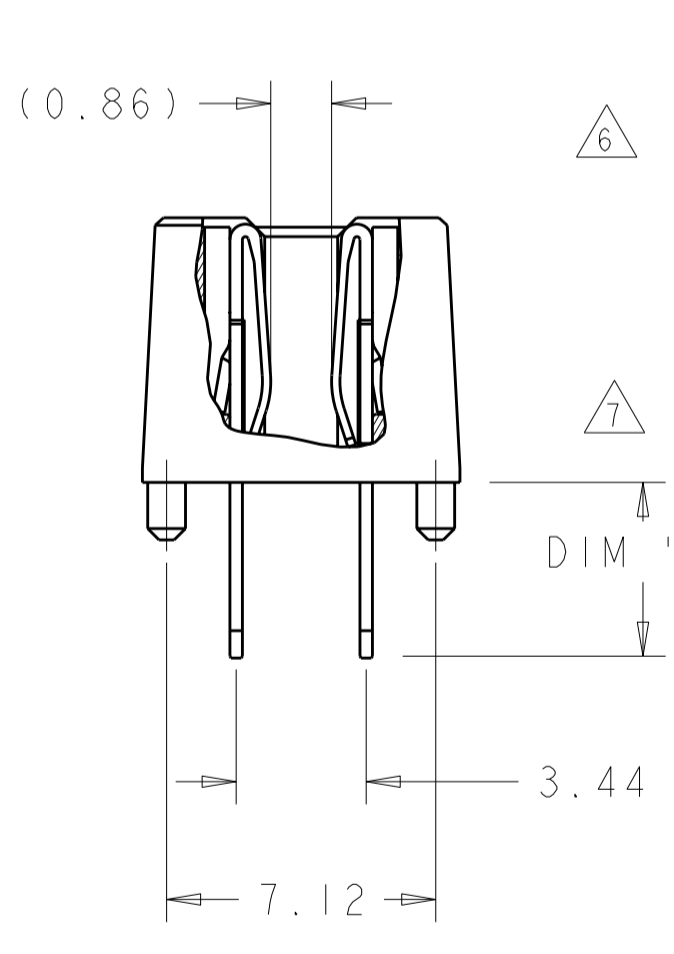
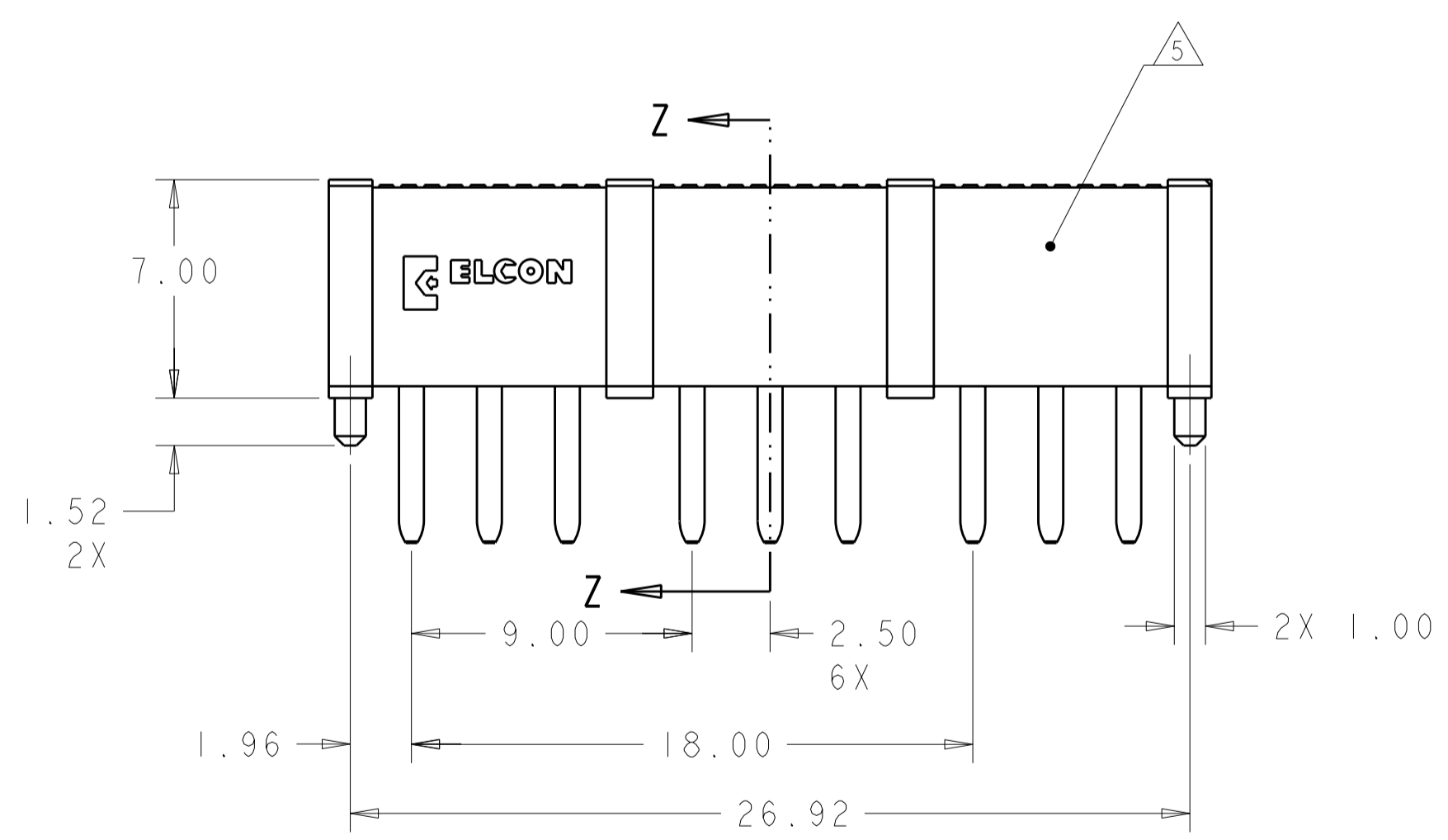
2 MATERIAL:
 INSULATOR - THERMOPLASTIC, GLASS REINFORCED, COLOR: BLACK
 UL94V-0 FLAMMABILITY RATED
 CONTACTS - COPPER ALLOY

3 FINISH:
 CONTACT: GOLD PLATE 0.76µm MIN. THK. OVER NICKEL 1.27µm MIN THK.
 SOLDER TAIL: TIN PLATE 3.05µm MIN THK. OVER NICKEL 1.27µm MIN THK.
 COMPLIANT TAIL: TIN PLATED 1.02µm MIN THK. OVER NICKEL 1.27µm MIN THK.

4. ALL DIMENSIONS SHOWN ACROSS CENTERLINE SHALL BE CENTRALIZED WITHIN THE TOLERANCE INDICATED FOR THAT DIMENSION.

5 ITEMS PROVIDED TO THIS SPECIFICATION TO BE PERMANENTLY IDENTIFIED PER THE FOLLOWING IDENTIFIER:

TYCO ELECTRONICS P/N DATE CODE (e.g. 0625)
 XXXXXXXX-X XXXX



6 RECOMMENDED PRINTED CIRCUIT HOLE:
 FINISHED HOLE: $\phi 1.02 \pm 0.08$
 DRILLED HOLE: $\phi 1.15 \pm 0.13$
 COPPER PLATE: 0.025 MIN (PER SURFACE)
 TIN PLATE: 0.008 MIN. (PER SURFACE)

7 OBSOLETE PARTS: OBSOLETE CIS STREAMLINING PER D.RENAUD/D.SINISI

DIM "A"	PART NUMBER	STATUS
3.8	1766685-3	OBSOLETE
3.0	1766685-2	OBSOLETE
4.5	1766685-1	
DIM "A"	PART NUMBER	

DESCRIPTION	PART NUMBER
COMPLIANT TAIL	1766685-3
SHORT SOLDER TAIL	1766685-2
STD. SOLDER TAIL	1766685-1

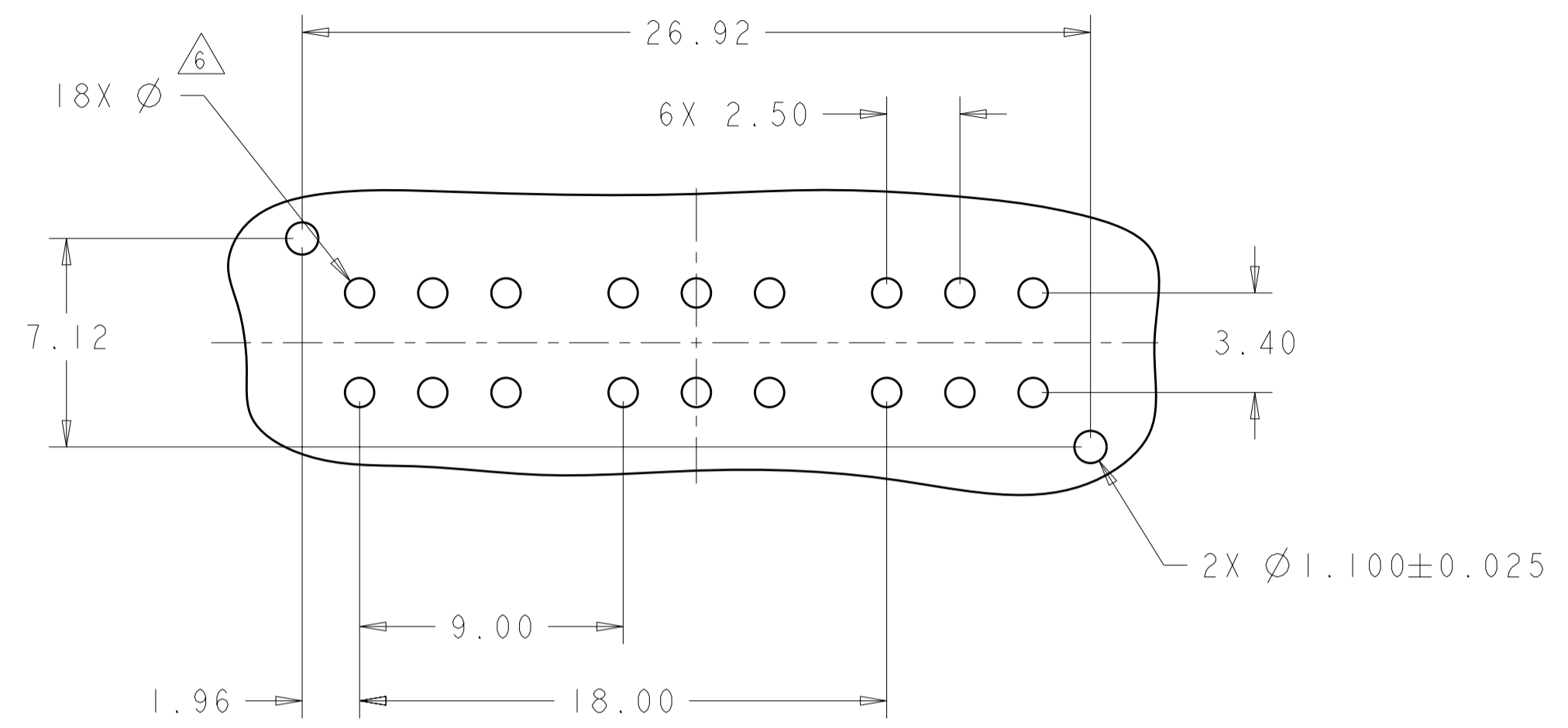
1766685-1 SHOWN
 STANDARD SOLDER TAIL

THIS DRAWING IS A CONTROLLED DOCUMENT FOR TYCO ELECTRONICS CORPORATION IT IS SUBJECT TO CHANGE AND THE CONTROLLING ENGINEERING ORGANIZATION SHOULD BE CONTACTED FOR THE LATEST REVISION.		DWN 12JAN2009 WAN/GRZYBOWSKI CHK P. DAMATO APVD 12JAN2009 CHAU/PERCHERKE	Tyco Electronics Corporation Harrisburg, PA 17105-3608
DIMENSIONS: mm 	TOLERANCES UNLESS OTHERWISE SPECIFIED: 0 PLC ±- 1 PLC ±.5 2 PLC ±.25 3 PLC ±. 4 PLC ±- ANGLES ±2 FINISH	PRODUCT SPEC APPLICATION SPEC WEIGHT -	NAME SOCKET CONNECTOR ASSEMBLY SOLDER AND COMPLIANT TAIL MC-P3SO MINI CROWN EDGE SIZE CAGE CODE DRAWING NO RESTRICTED TO A200779C-1766685 -
MATERIAL 2 - 3 -	FINISH 3 -	CUSTOMER DRAWING	SCALE 5:1 SHEET 1 OF 2 REV C1

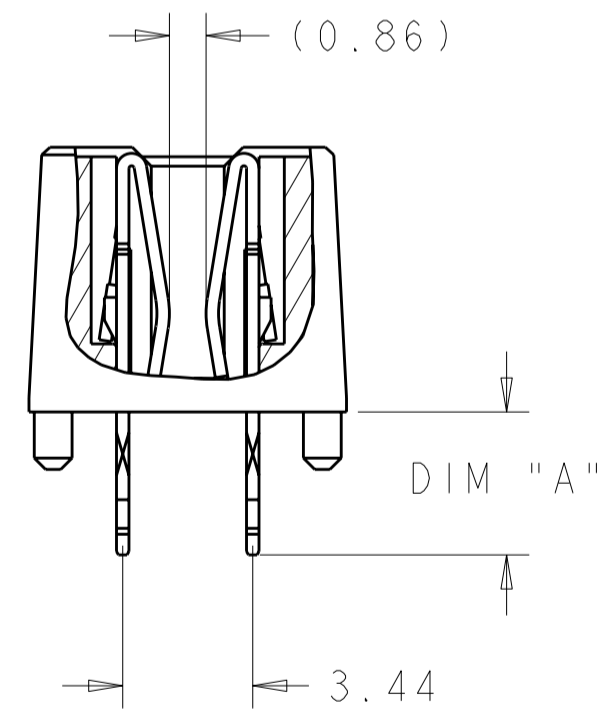
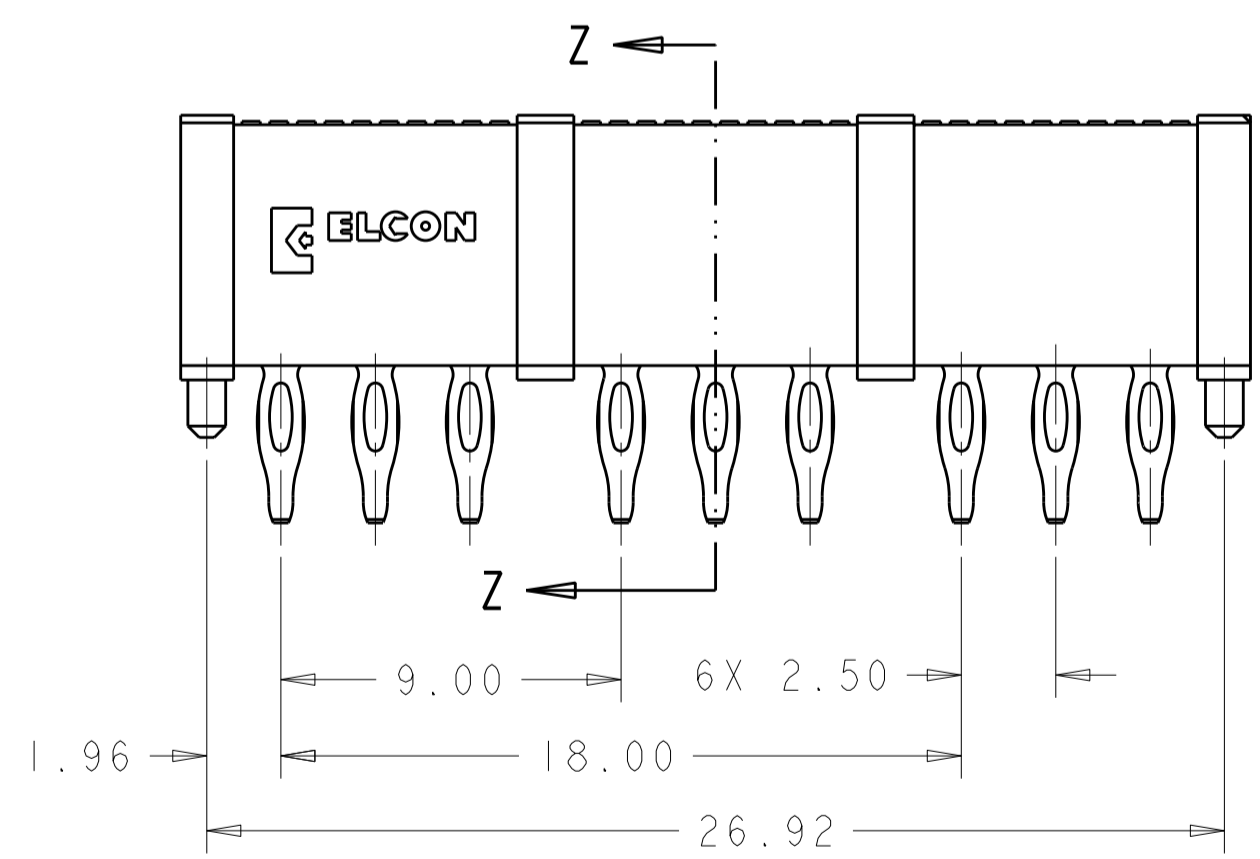
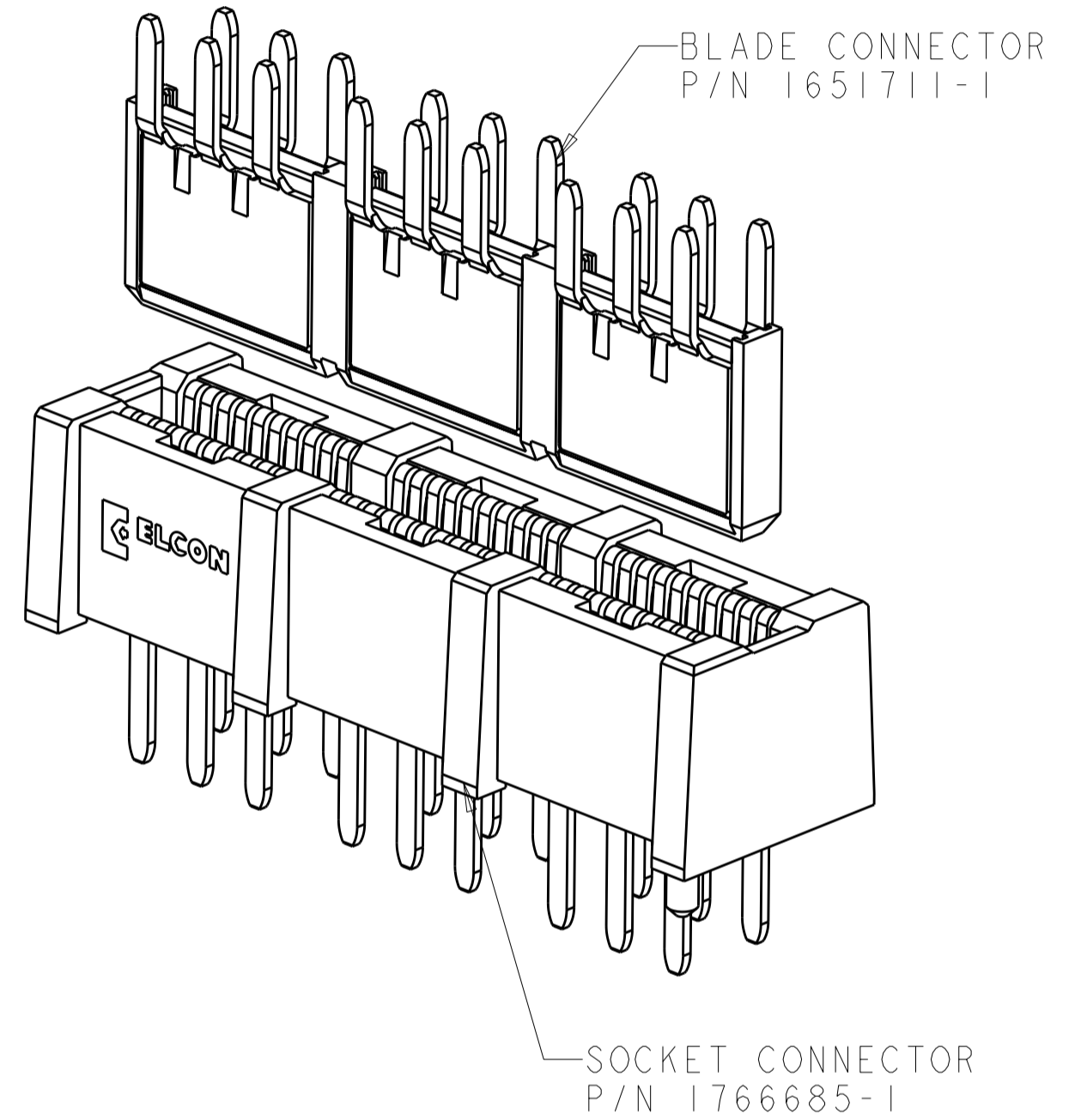
ELCON MINI CROWN EDGE

THIS DRAWING IS UNPUBLISHED. RELEASED FOR PUBLICATION 20
 © COPYRIGHT 20 BY TYCO ELECTRONICS CORPORATION. ALL RIGHTS RESERVED.

LOC	DIST	REVISIONS			
P	LTR	DESCRIPTION	DATE	DWN	APVD
GP	00	-	SEE SHEET 1	-	-



RECOMMENDED PC BOARD LAYOUT
 VIEWED FROM THE CONNECTOR SIDE



SECTION Z-Z

1766685-3 SHOWN
 COMPLIANT TAIL

THIS DRAWING IS A CONTROLLED DOCUMENT FOR TYCO ELECTRONICS CORPORATION. IT IS SUBJECT TO CHANGE AND THE CONTROLLING ENGINEERING ORGANIZATION SHOULD BE CONTACTED FOR THE LATEST REVISION.		DWN WAN/GRZYBOWSKI 12 JAN 2009	Tyco Electronics Corporation Harrisburg, PA 17105-3608	
DIMENSIONS: mm		CHK P. DAMATO	NAME SOCKET CONNECTOR ASSEMBLY SOLDER AND COMPLIANT TAIL MC-P350 MINI CROWN EDGE	
TOLERANCES UNLESS OTHERWISE SPECIFIED: 0 PLC ±.5 1 PLC ±.25 2 PLC ±.25 3 PLC ±. 4 PLC ±. ANGLES ±2 FINISH		APVD CHAU/PERCHERKE 12 JAN 2009	RESTRICTED TO	
MATERIAL		PRODUCT SPEC APPLICATION SPEC	SIZE A200779	CAGE CODE C-1766685
-		WEIGHT -	SCALE 5:1	SHEET 2 OF 2
-		CUSTOMER DRAWING	REV C1	