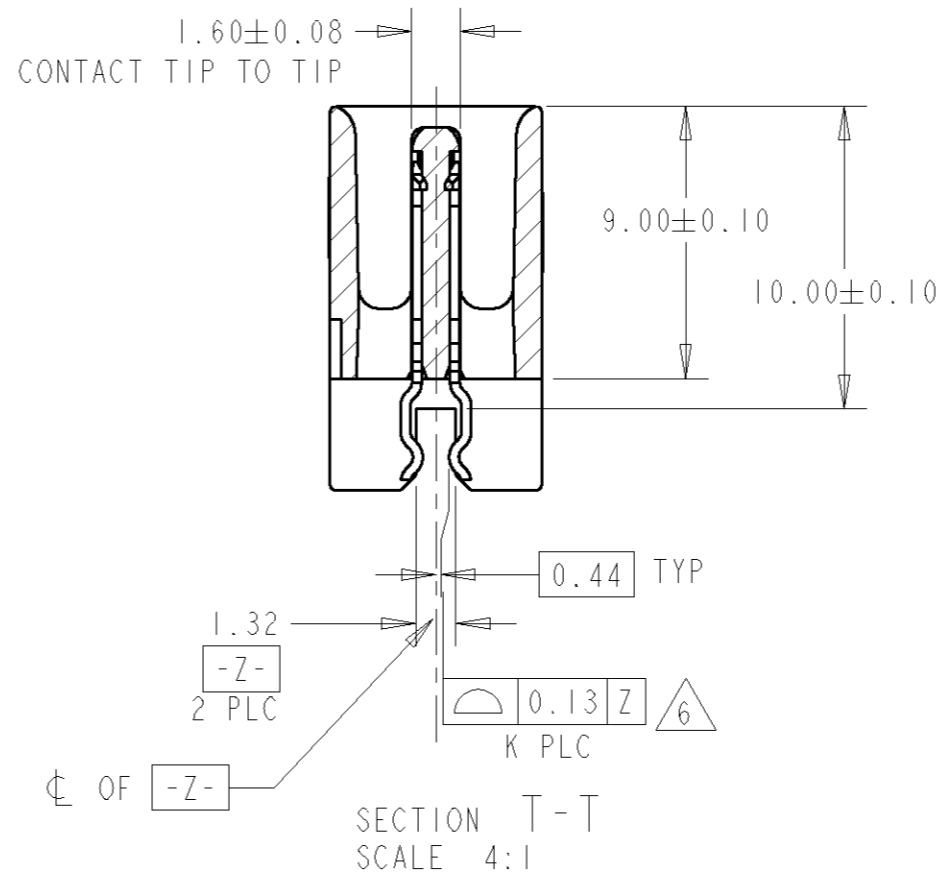
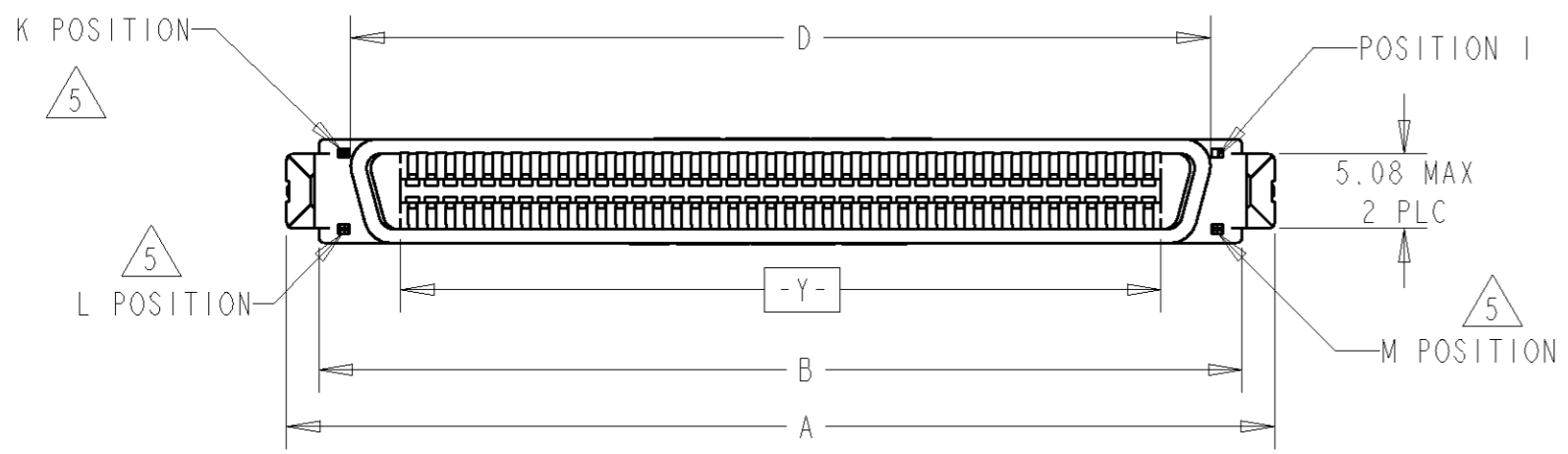
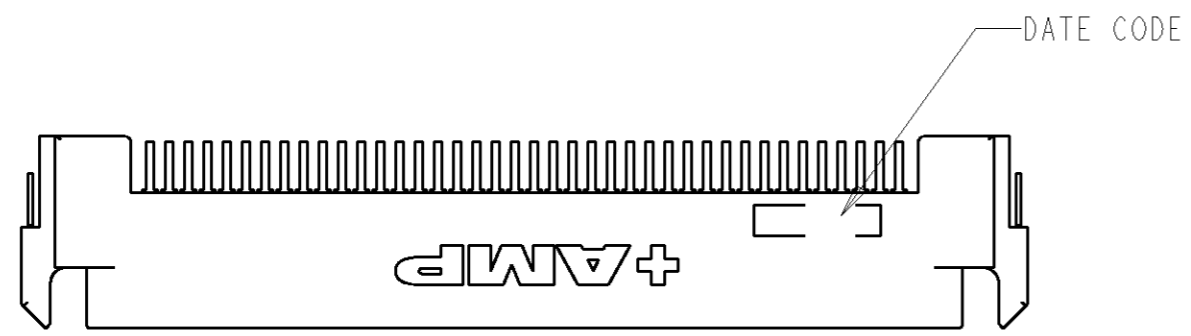
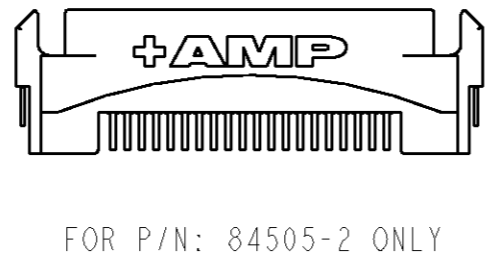
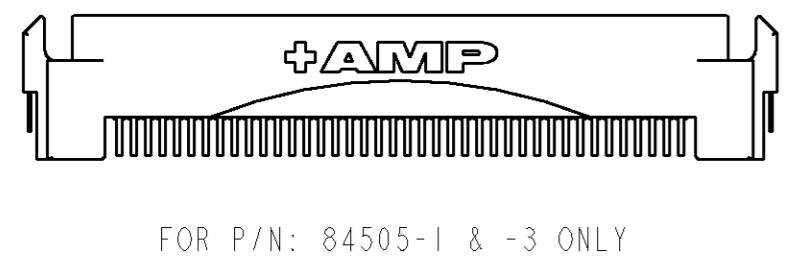
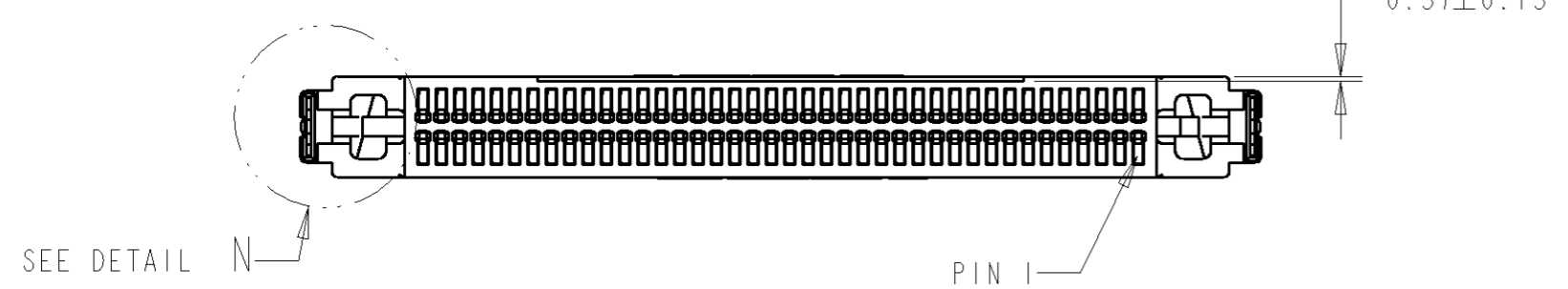
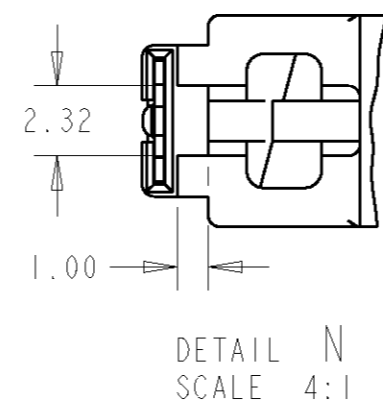
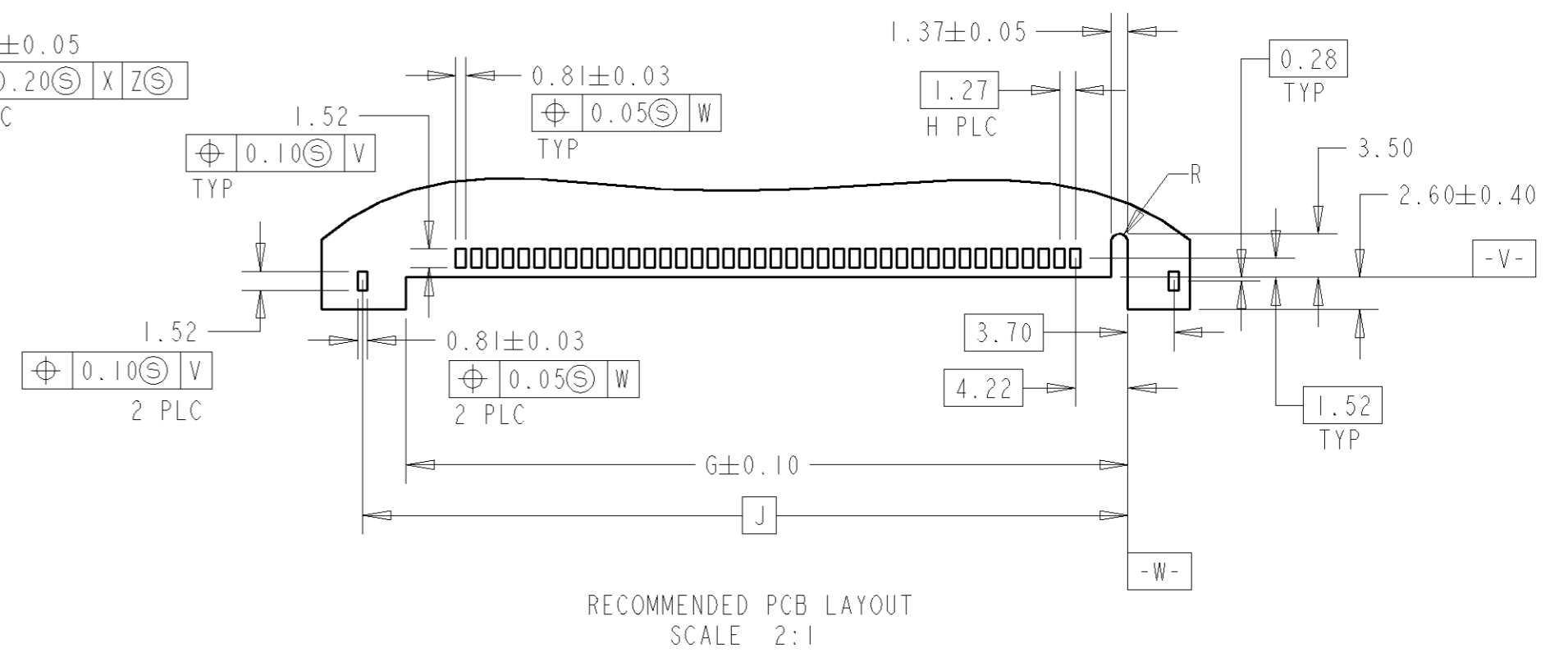
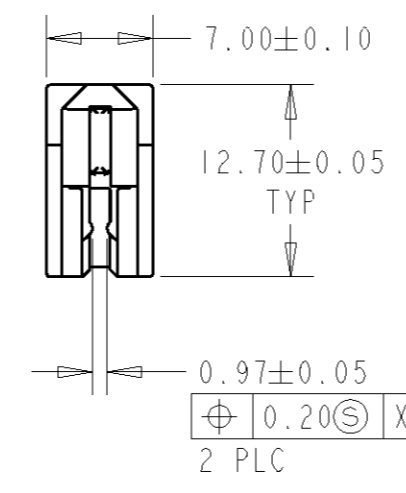
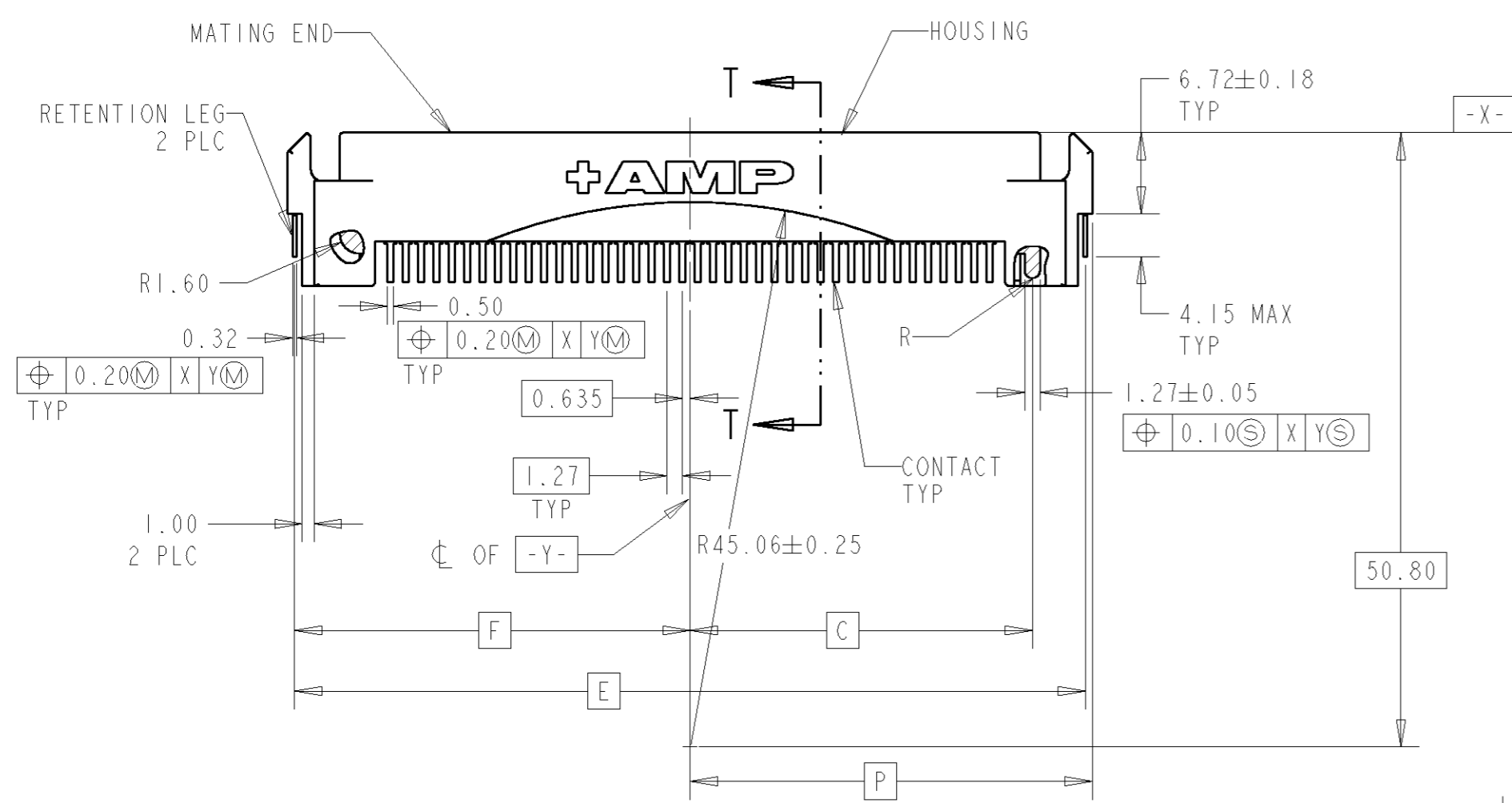


THIS DRAWING IS UNPUBLISHED. RELEASED FOR PUBLICATION .19
 BY AMP INCORPORATED. ALL RIGHTS RESERVED.

LOC		DIST		REVISIONS			
P	LTR	DESCRIPTION	DATE	DWN	APVD		
0		NPR FP00-0349-04	19JAN05	LWY	VT		



- 1 HOUSING: LCP, UL 94V-0 RATED, BLACK
CONTACTS: PHOSPHOR BRONZE
RETENTION LEGS: BRASS
- 2 0.76um MIN GOLD FOR A LENGTH 2.00 STARTING 1.00 MAX FROM MATING END, 3.81um MIN TIN FOR A LENGTH OF 3.43 MIN FROM OPPOSITE END, BOTH OVER 1.27-2.54um MIN NICKEL
- 3 3.81 um MIN TIN OVER 1.27-2.54um MIN NICKEL
- 4 RECOMMENDED PCB THICKNESS: 1.14±0.13mm
- 5 K, L AND M INDICATES NUMBER OF TERMINAL POSITIONS.
- 6 TOLERANCE APPLIES AT CONTACT MATING SURFACE.



TRAY	TUBE	TUBE	PACKAGING	P	M	L	K	J	H	G	F	E	D	C	B	A	POS.	PART NO.
33.25	20.55	33.25	P															5084505-3
41	21	41	M															5084505-2
80	40	80	L															5084505-1
40	20	40	K															
61.67	36.27	61.67	J															
39	19	39	H															
58.17	32.77	58.17	G															
32.680	19.975	32.680	F															
65.36	39.95	65.36	E															
57.87	32.47	57.87	D															
28.30	15.60	28.30	C															
62.15	36.75	62.15	B															
66.50	41.10	66.50	A															
80	40	80	POS.															

THIS DRAWING IS A CONTROLLED DOCUMENT FOR AMP INCORPORATED. IT IS SUBJECT TO CHANGE AND THE CONTROLLING ENGINEERING ORGANIZATION SHOULD BE CONTACTED FOR THE LATEST REVISION.

DWN WYLEE 19JAN05
 CHK VINCENT TAN
 APVD SF LEONG
 PRODUCT SPEC 108-1548
 APPLICATION SPEC 114-6061
 MATERIAL 1
 DIMENSIONS: mm
 TOLERANCES UNLESS OTHERWISE SPECIFIED:
 0 PLC ±
 1 PLC ±0.15
 2 PLC ±0.15
 3 PLC ±0.15
 4 PLC ±
 ANGLES ±°
 FINISH 2 3
 CUSTOMER DRAWING

Tyco Electronics Singapore Pte. Ltd.
 NAME PLUG ASSY, STRADDLE MOUNT WITH RADIUS, CHAMP BLINDMATE .050 SERIES 1
 SIZE A2 CAGE CODE 00779 DRAWING NO 5084505
 SCALE 2:1 SHEET 1 OF 1 REV 0