

**GENERAL DESCRIPTION**

The SP510 is a highly integrated physical layer solution that is configurable to support multiple serial standards. It incorporates eight (8) drivers and eight (8) receivers, configurable for either differential (V.11 or V.35) or single ended (V.28 and V.10) signaling. The device architecture is designed to support the data and clock signals used in HDLC or SDLC serial ports as either a DTE or DCE. SP510 enables a Serial Communications Controller (SCC) to implement a variety of serial port types including V.24, V.25, V.36, EIA-530, EIA-530-A, X.21, RS-232.

Operating configuration is in-system programmable using the mode-select pins. The V.11 and V.35 modes contain built in bus termination that may be switched in or out using the TERM_OFF pin.

SP510 is ideal for space constrained applications. It requires only a single 5V supply for full operation. The VL pin determines the receiver output voltage (VOH). For single supply operation at 5V the VL pin may be connected to VCC. Fully compliant V.28 and V.10 driver output voltages are generated using onboard charge pumps. Special power sequencing is not required during system startup. Charge pump outputs are internally regulated to minimize power consumption. The SP510 requires only four 1 μ F capacitors for complete functionality. The device may be put into a 200 μ A low power shutdown mode when not in active use.

All receivers have fail-safe protection to put outputs into a known state when inputs are open, terminated but open or shorted.

TYPICAL APPLICATIONS

- Data Communication Networks
- Telecommunication Equipment
- Secured Data Communication
- CSU and DSU
- Data Routers
- Network Switches
- WAN Access Equipment
- VoIP-PBX Gateways

ORDERING INFORMATION

PART NUMBER	PACKAGE	OPERATING TEMPERATURE RANGE	DEVICE STATUS
SP510EM-L	100-pin LQFP	-40°C to +85°C	Active
SP510CM-L	100-pin LQFP	0°C to +70°C	Active

FEATURES

- 52Mbps Differential Transmission Rates
- Adjustable Logic Level Pin (Down to 1.65V)
- +/-15kV ESD Tolerance for Analog I/O's
- Internal Transceiver Termination Resistors for V.11/V.35
- Interface Modes:
 - RS-232 (V.28)
 - EIA-530 (V.10 & V.11)
 - X.21 (V.11)
 - EIA-530A (V.10 & V.11)
 - RS-449/V.36
- Software Selectable Protocols with 3-Bit Word
- Eight Drivers and Eight Receivers
- V.35/V.11 Receiver Termination Network Disable Option
- Internal Line or Digital Loopback Testing
- Adheres to NET1/NET2 and TBR2 Requirements
- Easy Flow-Through Pinout
- Single +5V Supply Voltage
- Individual Driver/Receiver Enable/Disable Controls
- Operates in DTE or DCE Mode

TABLE 1: DC ELECTRICAL CHARACTERISTICS

DC ELECTRICAL CHARACTERISTICS						
V _{CC} = +4.75V to +5.25V, C1-C4 = 1μF. T _{AMB} = T _{MIN} to T _{MAX} , unless otherwise noted. Typical values are at T _{AMB} = +25°C						
PARAMETERS	SYMBOL	TEST CONDITIONS	MIN.	TYP	MAX	UNIT
V _{CC} Supply Voltage	V _{CC}		4.75		5.25	V
Logic Interface Voltage	V _L	V _{CC} ≥ V _L	1.65		5.25	V
I _{CC} Shutdown	I _{CCSD}			200		μA
I _{CC} Supply Current	I _{CC}				300	mA
DRIVER INPUT AND LOGIC INPUT PINS						
Logic Input High	V _{IH}		2.0			V
Logic Input Low	V _{IL}				0.4	V
RECEIVER OUTPUTS						
Receiver Logic Output Low	V _{OL}	I _{OUT} = -3.2 mA			0.4	V
Receiver Logic Output High	V _{OH}	I _{OUT} = 1 mA	V _L - 0.3		V _L + 0.3	V
Receiver Output Short-Circuit Current	I _{OSS}	0V < V _O < V _{CC}		±20	±60	mA
Receiver Output Leakage Current	I _{OZ}	Receivers disabled. 0.4V < V _O < 5.25V		±0.05	±1	μA
V.28 / RS-232 DRIVERS						
Output Voltage Swing	V _T	Output load = 3kΩ to GND Fig. 3	±5.0	±6.0	±15.0	V
	V _{OC}	Output load = Open Circuit Fig.2			±15.0	V
Short Circuit Current	I _{SC}	V _{OUT} = 0V, Fig 5			±100	mA
Power-Off Impedance		Fig. 6	300			Ω
V.28 / RS-232 RECEIVERS						
Input Voltage Range			-15		15	V
Input Threshold Low			0.8	1.2		V
Input Threshold High				1.7	3.0	V
Input Hysteresis				500		mV
Input Resistance		Fig. 8	3	5	7	kΩ
Open Circuit Bias	V _{OC}	Fig. 9			±2.0	V

DC ELECTRICAL CHARACTERISTICS						
V _{CC} = +4.75V to +5.25V, C1-C4 = 1μF. T _{AMB} = T _{MIN} to T _{MAX} , unless otherwise noted. Typical values are at T _{AMB} = +25°C						
PARAMETERS	SYMBOL	TEST CONDITIONS	MIN.	TYP	MAX	UNIT
V.10 / RS-423 DRIVERS						
Open Circuit Voltage	V _{OC}	Fig.10	±4.0		±6.0	V
Test Terminated Voltage	V _T	Fig. 11	0.9 V _{OC}			V
Short Circuit Current	I _{SC}	Fig. 12			±150	mA
Power-Off Current		Fig. 13			±100	μA
V.10 / RS-423 RECEIVERS						
Input Current	I _{IA}	Fig. 15 and 16	-3.25		+3.25	mA
Input Impedance			4	15		kΩ
Sensitivity					±0.2	V
V.11 / RS-422 DRIVERS						
Open Circuit Voltage	V _{OC} , V _{OCA} , V _{OCB}	Fig. 17			±6.0	V
Test Terminated Voltage	V _T	Fig. 18	±2.0			V
Balance	ΔV _T	Fig. 18			±0.4	V
Driver DC Offset	V _{OS}	Fig. 18			+3.0	V
Offset Balance	ΔV _{OS}	Fig. 18			±0.4	V
Short Circuit Output Current	I _{SA} , I _{SB}	Fig. 19			±150	mA
Power-Off Current		Fig. 20			±100	μA
V.11 / RS-422 RECEIVERS						
Receiver Input Range	V _{CM}		-7		+7	V
Input Current	I _{IA} , I _{IB}	Fig. 21 and 23			±3.25	mV
Input Current with Termination	I _{IA} , I _{IB}	Fig. 24 and 25			±60.75	mA
Receiver Input Impedance	R _{IN}	-10V ≤ V _{CM} ≤ +10V	4	15		kΩ
Receiver Sensitivity	V _{TH}				±200	mV
Receiver Input Hysteresis	ΔV _{TH}	V _{CM} = 0 V		15		mV
V.35 DRIVERS (ALL VALUES MEASURE WITH TERM_OFF = '0')						
Test Terminated Voltage	V _T	Fig. 26	±0.44		±0.66	V
Offset	V _{OS}	Fig. 26			±0.6	V
Output Overshoot		Fig. 26, V _{ST} = Steady State Voltage	-0.2V _{ST}		+0.2V _{ST}	V
Source Impedance		Fig. 29, Z _S = V ₂ / V ₁ x 50Ω	50		150	Ω



DC ELECTRICAL CHARACTERISTICS						
V _{CC} = +4.75V to +5.25V, C1-C4 = 1μF. T _{AMB} = T _{MIN} to T _{MAX} , unless otherwise noted. Typical values are at T _{AMB} = +25°C						
PARAMETERS	SYMBOL	TEST CONDITIONS	MIN.	TYP	MAX	UNIT
Short Circuit Impedance		Fig. 28	135		165	Ω
V.35 RECEIVERS (ALL VALUES MEASURE WITH TERM_OFF = '0')						
Sensitivity				±100	±200	mV
Source Impedance		Fig. 30, Z _S = V ₂ / V ₁ x 50Ω	90		110	Ω
Short-Circuit Impedance		Fig. 31	135		165	Ω
TRANSCEIVER LEAKAGE CURRENT						
Driver Output 3-state Current		Drivers disabled, per Fig. 32		500		μA
Receiver Output 3-state Current		Tx and Rx Disabled, 0.4V - V _O - 2.4V		1	10	μA

TABLE 2: AC TIMING CHARACTERISTICS

TIMING CHARACTERISTICS						
$V_{CC} = +4.75$ to $5.25V$, $C1-C4 = 1\mu F$; $T_{AMB} = T_{MIN}$ to T_{MAX} , unless noted. Typical values are at $T_{AMB} = +25^{\circ}C$.						
PARAMETERS	SYMBOL	TEST CONDITIONS	MIN.	TYP	MAX	UNIT
V.28 / RS-232						
Maximum Transmission Rate		Fig. 7	250			kbps
Driver Propagation Delay	t_{DPHL} , t_{DPLH}		0.5	1	5	μs
Transition Time		+3V to -3V, -3V to +3V per Fig. 7	0.2		1.5	μs
Instantaneous Slew Rate		+3V to -3V, -3V to +3V per Fig. 4	4		30	V/ μs
Driver Skew		$ t_{DPHL} - t_{DPLH} $ at zero crossing		100	800	ns
Driver Channel to Channel Skew				20		ns
Driver Output Enable Time Tri-state to output Low	t_{ZL}	$C_L = 100$ pF, Fig. 34 and 40, S1 closed			2.0	μs
Driver Output Enable Time Tri-state to output High	t_{ZH}	$C_L = 100$ pF, Fig. 34 and 40, S2 closed			2.0	μs
Driver Output Disable Time Output Low to Tri-state	t_{LZ}	$C_L = 15$ pF, Fig. 34 and 40, S1 closed			2.0	μs
Driver Output Disable Time Output High to Tri-state	t_{HZ}	$C_L = 15$ pF, Fig. 34 and 40, S2 closed			20	μs
Receiver Propagation Delay	t_{PHL} , t_{PLH}	R_IN to R_OUT, $C_L = 15$ pF	50	100	500	ns
Receiver Skew		$ t_{PHL} - t_{PLH} $ at 1.5V		50		ns
Receiver Output Rise / Fall Time	t_R , t_F	$C_L = 15$ pF		15		ns
Receiver Output Enable Time Tri-state to output Low	t_{ZL}	$C_L = 100$ pF, Fig. 35 and 40, S1 closed			2.0	μs
Receiver Output Enable Time Tri-state to output High	t_{ZH}	$C_L = 100$ pF, Fig. 35 and 40, S2 closed			2.0	μs
Receiver Output Disable Time Output Low to Tri-state	t_{LZ}	$C_L = 15$ pF, Fig. 35 and 40, S1 closed			2.0	μs
Receiver Output Disable Time Output High to Tri-state	t_{HZ}	$C_L = 15$ pF, Fig. 35 and 40, S2 closed			2.0	μs
Charge Pump Rise Time		Shutdown to normal operation			2	ms
V.10 / RS-423						
Maximum Transmission Rate			250			kbps

TIMING CHARACTERISTICS
 $V_{CC} = +4.75$ to $5.25V$, $C1-C4 = 1\mu F$; $T_{AMB} = T_{MIN}$ to T_{MAX} , unless noted. Typical values are at $T_{AMB} = +25^{\circ}C$.

PARAMETERS	SYMBOL	TEST CONDITIONS	MIN.	TYP	MAX	UNIT
Driver Propagation Delay	t_{PHL}, t_{PLH}		30	150	500	ns
Driver Rise / Fall Time	t_R, t_F	10% to 90% - Fig. 14			500	ns
Driver Skew		$ t_{DPHL} - t_{DPLH} $ at zero crossing			100	ns
Driver Output Enable Time Tri-state to Output Low	t_{ZL}	$C_L = 100$ pF, Fig. 34 and 40, S1 closed			2	μs
Driver Output Enable Time Tri-state to Output High	t_{ZH}	$C_L = 100$ pF, Fig. 34 and 40, S2 closed			2	μs
Driver Output Disable Time Output Low to Tri-state	t_{LZ}	$C_L = 15$ pF, Fig. 34 and 40, S1 closed			2	μs
Driver Output Disable Time Output High to Tri-state	t_{HZ}	$C_L = 15$ pF, Fig. 34 and 40, S2 closed			2	μs
Receiver Propagation Delay	t_{PHL}, t_{PLH}			100	500	ns
Receiver Output Enable Time Tri-state to output Low	t_{ZL}	$C_L = 100$ pF, Fig. 35 and 40, S1 closed			2	μs
Receiver Output Enable Time Tri-state to output High	t_{ZH}	$C_L = 100$ pF, Fig. 35 and 40, S2 closed			2	μs
Receiver Output Disable Time Output Low to Tri-state	t_{LZ}	$C_L = 15$ pF, Fig. 35 and 40, S1 closed			2	μs
Receiver Output Disable Time Output High to Tri-state	t_{HZ}	$C_L = 15$ pF, Fig. 35 and 40, S1 closed				
Receiver Output Rise / Fall Time	t_R, t_F	$C_L = 15$ pF		15		ns
Receiver Skew		$ t_{PHL} - t_{PLH} $ at 1.5V		5		ns
HIGH SPEED V.11 / RS-422 (DRIVERS 1, 2 & 3, RECEIVERS 1, 2 & 3)						
Maximum Bit Rate		NRZI Encoding	52			Mbps
Driver Rise and Fall Time	t_R, t_F	Fig. 22 and 36, 10-90%	0.5		6	ns
Propagation Delay Time	t_{DPHL}, t_{DPLH}	Fig. 33 and 36, $C_L = 50$ pF		5	25	ns
Differential Skew		$ t_{DPHL} - t_{DPLH} $			3.8	ns
Driver Output Enable Time Tri-state to Output Low	t_{ZL}	$C_L = 100$ pF, Fig. 34 and 37, S1 closed			100	ns
Driver Output Enable Time Tri-state to Output High	t_{ZH}	$C_L = 100$ pF, Fig. 34 and 37, S2 closed			100	ns
Driver Output Disable Time Output Low to Tri-state	t_{LZ}	$C_L = 15$ pF, Fig. 34 and 37, S1 closed			100	ns

TIMING CHARACTERISTICS						
$V_{CC} = +4.75$ to $5.25V$, $C_1-C_4 = 1\mu F$; $T_{AMB} = T_{MIN}$ to T_{MAX} , unless noted. Typical values are at $T_{AMB} = +25^{\circ}C$.						
PARAMETERS	SYMBOL	TEST CONDITIONS	MIN.	TYP	MAX	UNIT
Driver Output Disable Time Output High to Tri-state	t_{HZ}	$C_L = 15$ pF, Fig. 34 and 37, S2 closed			100	ns
Receiver Propagation Delay	t_{PHL}, t_{PLH}	Fig. 33, 36 $C_L = 50$ pF		20	50	ns
Receiver Skew		$ t_{PHL} - t_{PLH} $ Fig. 33, 36 $C_L = 50$ pF			3.8	ns
Receiver Output Enable Time Tri-state to Output Low	t_{ZL}	$C_L = 100$ pF, Fig. 35 and 39, S1 closed			100	ns
Receiver Output Enable Time Tri-state to Output High	t_{ZH}	$C_L = 100$ pF, Fig. 35 and 39, S2 closed			100	ns
Receiver Output Disable Time Output Low to Tri-state	t_{LZ}	$C_L = 15$ pF, Fig. 35 and 39, S1 closed			100	ns
Receiver Output Disable Time Output High to Tri-state	t_{HZ}	$C_L = 15$ pF, Fig. 35 and 39, S2 closed			100	ns
Receiver Output Rise / Fall Time	t_R, t_F	$3.0V < V_L < 5.5V$ $1.65V < V_L < 3.0V$ $C_L = 50$ pF	0.5		6	ns
Channel to channel Skew				2		ns
V.11 / RS-422 HANDSHAKE SIGNALS (DRIVERS 4, 5 & 6, RECEIVERS 4, 5 & 6)						
Maximum Transmission Rate		Fig. 33	10			Mbps
Driver Rise and Fall Time	t_R, t_F	Fig. 22 and 36		2	10	ns
Propagation Delay Time	t_{DPHL}, t_{DPLH}	Fig. 33 and 36, $C_L = 50$ pF		20	50	ns
Driver Propagation Delay Skew		$ t_{DPHL} - t_{DPLH} $			10	ns
Driver Channel to Channel Skew				2		ns
Driver Output Enable Time Tri-state to Output Low	t_{ZL}	$C_L = 100$ pF, Fig. 34 and 37, S1 closed			100	ns
Driver Output Enable Time Tri-state to Output High	t_{ZH}	$C_L = 100$ pF, Fig. 34 and 37, S2 closed			100	ns
Driver Output Disable Time Output Low to Tri-state	t_{LZ}	$C_L = 15$ pF, Fig. 34 and 37, S1 closed			100	ns
Driver Output Disable Time Output High to Tri-state	t_{HZ}	$C_L = 15$ pF, Fig. 34 and 37, S2 closed			100	ns
Receiver Propagation Delay	t_{PHL}, t_{PLH}	Fig. 33, 36 $C_L = 50$ pF		20	50	ns

TIMING CHARACTERISTICS						
V _{CC} = +4.75 to 5.25V, C1-C4 = 1μF; T _{AMB} = T _{MIN} to T _{MAX} , unless noted. Typical values are at T _{AMB} = +25°C.						
PARAMETERS	SYMBOL	TEST CONDITIONS	MIN.	TYP	MAX	UNIT
Receiver Skew		t _{PHL} - t _{PLH} Fig. 33, 36 C _L = 50 pF			10	ns
Receiver Output Enable Time Tri-state to Output Low	t _{ZL}	C _L = 100 pF, Fig. 35 and 39, S1 closed			100	ns
Receiver Output Enable Time Tri-state to Output High	t _{ZH}	C _L = 100 pF, Fig. 35 and 39, S2 closed			100	ns
Receiver Output Disable Time Output Low to Tri-state	t _{LZ}	C _L = 15 pF, Fig. 35 and 39, S1 closed			100	ns
Receiver Output Disable Time Output Low to Tri-state	t _{HZ}	C _L = 15 pF, Fig. 35 and 39, S2 closed			100	ns
Receiver Output Rise / Fall Time	t _R , t _F		1		20	ns
Channel to Channel Skew				2		ns
V.35 (DRIVERS 1, 2 & 3, RECEIVERS 1, 2 & 3)						
Maximum Transmission Rate		Fig. 33, f _{MAX} = 20 MHz	40			Mbps
Driver Rise and Fall Time	t _R , t _F	Fig. 29			10	ns
Propagation Delay Time	t _{DPHL} , t _{DPLH}	Fig. 33 and 36, C _L = 50 pF		20	50	ns
Driver Differential Skew		t _{DPHL} - t _{DPLH} Fig. 33 and 36			5.0	ns
Driver Channel to Channel Skew				2		ns
Driver Output Enable Time Tri-state to Output Low	t _{ZL}	C _L = 100 pF, Fig. 34 and 37, S1 closed			200	ns
Driver Output Enable Time Tri-state to Output High	t _{ZH}	C _L = 100 pF, Fig. 34 and 37, S2 closed			200	ns
Driver Output Disable Time Output Low to Tri-state	t _{LZ}	C _L = 15 pF, Fig. 34 and 37, S1 closed			200	ns
Driver Output Disable Time Output High to Tri-state	t _{HZ}	C _L = 15 pF, Fig. 34 and 37, S2 closed			200	ns
Receiver Propagation Delay	t _{PHL} , t _{PLH}	Fig. 33, 38 C _L = 50 pF		18	30	ns
Receiver Skew		t _{PHL} - t _{PLH} Fig. 33 and 38 C _L = 50 pF			5.0	ns
Receiver Output Enable Time Tri-state to Output Low	t _{ZL}	C _L = 100 pF, Fig. 35 and 39, S1 closed			200	ns

TIMING CHARACTERISTICS						
$V_{CC} = +4.75$ to $5.25V$, $C1-C4 = 1\mu F$; $T_{AMB} = T_{MIN}$ to T_{MAX} , unless noted. Typical values are at $T_{AMB} = +25^{\circ}C$.						
PARAMETERS	SYMBOL	TEST CONDITIONS	MIN.	TYP	MAX	UNIT
Receiver Output Enable Time Tri-state to Output High	t_{ZH}	$C_L = 100$ pF, Fig. 35 and 39, S2 closed			200	ns
Receiver Output Disable Time Output Low to Tri-state	t_{LZ}	$C_L = 15$ pF, Fig. 35 and 39, S1 closed			200	ns
Receiver Output Disable Time Output High to Tri-state	t_{HZ}	$C_L = 15$ pF, Fig. 35 and 39, S2 closed			200	ns

FIGURE 1. PIN OUT DIAGRAM

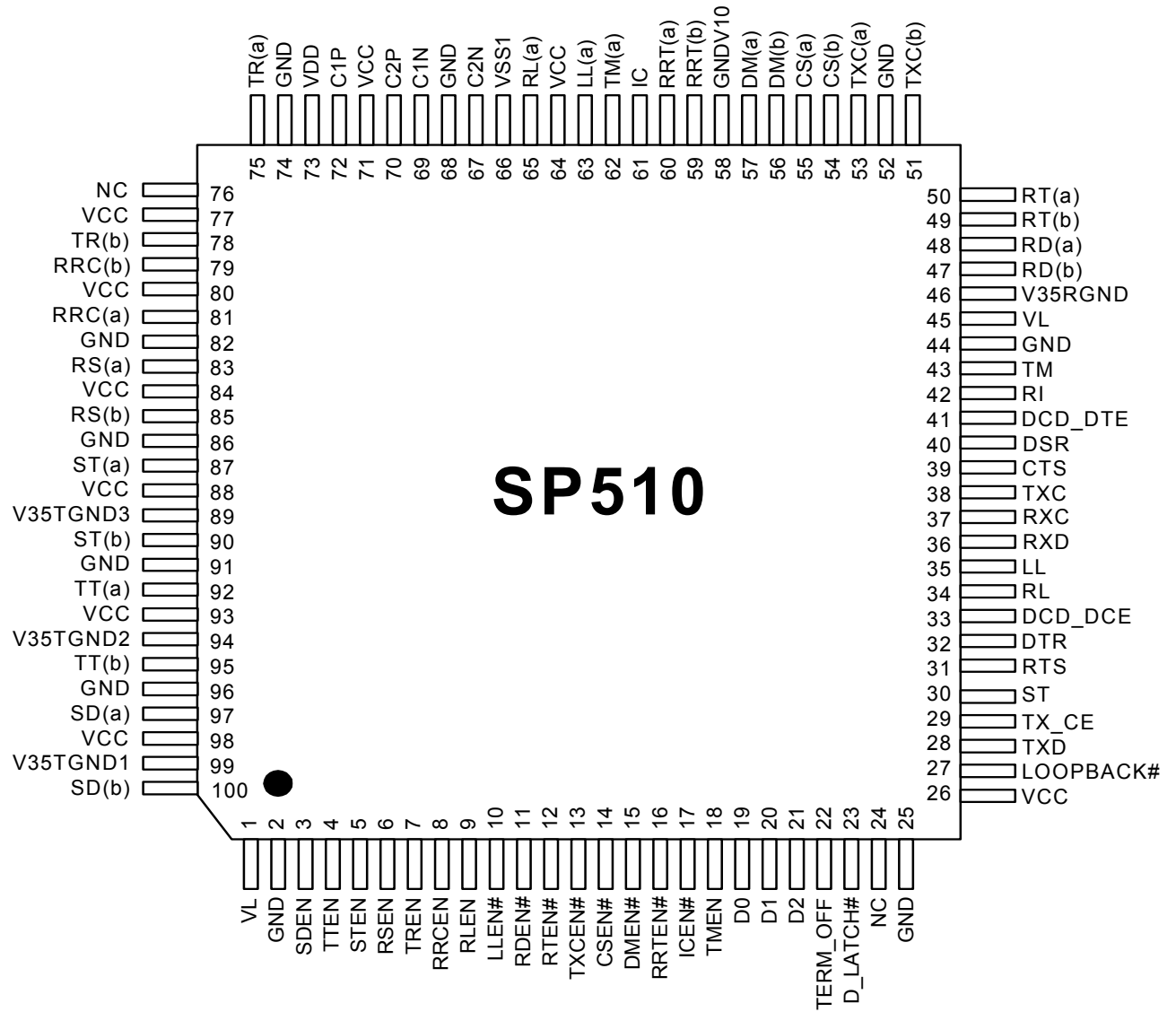


TABLE 3: PIN DESCRIPTIONS BY FUNCTION

Pin Name	Pin Number	I/O		DESCRIPTION
DIFFERENTIAL DRIVERS				
TxD	28	I	TTL	TxD Driver Input
SD(b) / SD(a)	100, 97	O	TTL	Differential Transmit data non-inverting (b) and inverting (a) outputs
V35TGND1	99	I		SD Termination Reference
SDEN	3	I	TTL	TxD Driver Enable
TxCE	29	I	TTL	TxCE Driver Input
TT(b) / TT(a)	95, 92	O	TTL	Differential TxCE non-inverting (b) and inverting (a) outputs
V35TGND2	94	I		TT Termination Reference
TTEN	4	I	TTL	TxCE Driver Enable
ST	30	I	TTL	ST Driver Input
ST(b) / ST(a)	90, 87	O	TTL	Differential ST non-inverting (b) and inverting (a) outputs
V35TGND3	89	I		ST Termination Reference
STEN	5	I	TTL	ST Driver Enable
RTS	31	I	TTL	RTS Driver Input
RS(b) / RS(a)	85, 83	O	TTL	Differential RTS non-inverting (b) and inverting (a) outputs
RSEN	6	I	TTL	RTS Driver Enable
DTR	32	I	TTL	DTR Driver Input
TR(b) / TR(a)	78, 75	O	TTL	Differential DTR non-inverting (b) and inverting (a) outputs
TREN	7	I	TTL	DTR Driver Enable
DCD_DCE	33	I	TTL	DCD_DCE Driver Input
RRC(b) / RRC(a)	79, 81	O	TTL	Differential DCD non-inverting (b) and inverting (a) outputs
RRCEN	8	I	TTL	DCD Driver Enable
SINGLE ENDED DRIVERS				
RL	34	I	TTL	RL Driver Input
RL(a)	65	O	TTL	RL Driver Output
RLEN	9	I	TTL	RL Driver Enable
LL	35	I	TTL	LL Driver Input
LL(a)	63	O	TTL	LL Driver Output
LLEN#	10	I	TTL	LL Driver Enable, active low



Pin Name	Pin Number	I/O		DESCRIPTION
DIFFERENTIAL RECEIVERS				
RxD	36	O	TTL	RxD Receiver Output
RD(b) / RD(a)	47, 48	I	TTL	Differential RXD non-inverting (b) and inverting (a) inputs
RDEN#	11	I	TTL	RxD Receiver Enable, active low
RxC	37	O	TTL	RxC Receiver Output
RT(b) / RT(a)	49, 50	I	TTL	Differential RXC non-inverting (b) and inverting (a) inputs
RTEN#	12	I	TTL	RxC Receiver Enable, active low
TxC	38	O	TTL	TxC Receiver Output
TxC(b) / TxC(a)	51, 53	I	TTL	Differential TxC non-inverting (b) and inverting (a) inputs
TxCEN#	13	I	TTL	TxC Receiver Enable, active low
CTS	39	O	TTL	CTS Receiver Output
CS(b) / CS(a)	54, 55	I	TTL	Differential CTS non-inverting (b) and inverting (a) inputs
CSEN#	14	I	TTL	CTS Receiver Enable, active low
DSR	40	O	TTL	DSR Receiver Output
DM(b) / DM(a)	56, 57	I	TTL	Differential DSR non-inverting (b) and inverting (a) inputs
DMEN#	15	I	TTL	DSR Receiver Enable, active low
DCD_DTE	41	O	TTL	DCD_DTE Receiver Output
RRT(b) / RRT(a)	59, 60	I	TTL	Differential DCD_DTE non-inverting (b) and inverting (a) inputs
RRTEN#	16	I	TTL	DCD_DTE Receiver Enable, active low
SINGLE ENDED RECEIVERS				
IC	61	I	TTL	RI Receiver Input
RI	42	O	TTL	RI Receiver Output
ICEN#	17	I	TTL	RI Receiver Enable, active low
TM(a)	62	I	TTL	TM Receiver Input
TM	43	O	TTL	TM Receiver Output
TMEN	18	I	TTL	TM Receiver Enable
PROTOCOL MODE SELECTION SIGNALS				
D2, D1, D0	21, 20, 19	I	TTL	Mode Select - Refer to Table 5 and Table 6

Pin Name	Pin Number	I/O		DESCRIPTION
Charge Pump Signals				
C1P, C1N	72, 69	I		Charge Pump Capacitor 1 +/- inputs. Connect a 1 μ F capacitor between C1P and C1N pins.
C2P, C2N	70, 67	I		Charge Pump Capacitor 2 +/- inputs. Connect a 1 μ F capacitor between C2P and C2N pins.
VSS1	66	I		-2xVCC Charge Pump
VDD	73	I		2xVCC Charge Pump
GENERAL CONTROL SIGNALS				
LOOPBACK#	27	I	TTL	Loopback mode enable, active low
D_LATCH#	23	I		Decoder Latch, active low
TERM_OFF	22	I		Termination disable
RESERVED PINS				
NC	24, 76			No Connect
POWER AND GROUND SIGNALS				
VCC	26, 64, 71, 77, 80, 84, 88, 98	I		5V supply.
VL	1, 45	I		Logic I/O Power Supply Input
GND	2, 25, 44, 52, 68, 74, 82, 86, 91, 96	I		Ground.
GNDV10	58	I		V.10 Receiver Ground Reference
V35RGND	46	O		Receiver Termination Reference

NOTE: Pin type: I = Input, O = Output, I/O = Input/output.

TABLE 4: PIN DESCRIPTIONS BY PIN NUMBER

PIN DESCRIPTIONS BY PIN NUMBER					
1	VL	Logic I/O Power Supply Input	32	DTR	DTR Driver TTL Input
2	GND	Ground	33	DCD_DCE	DCD_DCE Driver TTL Input
3	SDEN	TxD Driver Enable Input	34	RL	RL Driver TTL Input
4	TTEN	TxCE Driver Enable Input	35	LL	LL Driver TTL Input
5	STEN	ST Driver Enable Input	36	RxD	RxD Receiver TTL Output
6	RSEN	RTS Driver Enable Input	37	RxC	RxC Receiver TTL Output
7	TREN	DTR Driver Enable Input	38	TxC	TxC Receiver TTL Output
8	RRCEN	DCD Driver Enable Input	39	CTS	CTS Receiver TTL Output
9	RLEN	RL Driver Enable Input	40	DSR	DSR Receiver TTL Output
10	LLEN#	LL Driver Enable Input	41	DCD_DTE	DCD_DTE Receiver TTL Output
11	RDEN#	RxD Receiver Enable Input	42	RI	RI Receiver TTL Output
12	RTEN#	RxC Receiver Enable Input	43	TM	TM Receiver TTL Output
13	TxCEN#	TxC Receiver Enable Input	44	GND	Ground
14	CSEN#	CTS Receiver Enable Input	45	VL	Logic I/O Power Supply Input
15	DMEN#	DSR Receiver Enable Input	46	V35RGND	Receiver Termination Reference
16	RRTEN#	DCD_DTE Receiver Enable Input	47	RD(b)	RXD Non-Inverting Input
17	ICEN#	RI Receiver Enable Input	48	RD(a)	RXD Inverting Input
18	TMEN	TM Receiver Enable Input	49	RT(b)	RxC Non-Inverting Input
19	D0	Mode Select Input - Bit 0	50	RT(a)	RxC Inverting Input
20	D1	Mode Select Input - Bit 1	51	TxC(b)	TxC Non-Inverting Input
21	D2	Mode Select Input - Bit 2	52	GND	Ground
22	TERM_OFF	Termination Disable Input	53	TxC(a)	TxC Inverting Input
23	D_LATCH#	Decoder Latch Input	54	CS(b)	CTS Non-Inverting Input
24	NC	No Connect	55	CS(a)	CTS Inverting Input
25	GND	Ground	56	DM(b)	DSR Non-Inverting Input
26	Vcc	Power Supply Input	57	DM(a)	DSR Inverting Input
27	LOOP-BACK#	Loopback Mode Enable Input	58	GNDV10	V.10 Rx Ground Reference
28	TxD	TxD Driver TTL Input	59	RRT(b)	DCD_DTE Non-Inverting Input
29	TxCE	TxCE Driver TTL Input	60	RRT(a)	DCD_DTE Inverting Input
30	ST	ST Driver TTL Input	61	IC	RI Receiver Input
31	RTS	RTS Driver TTL Input	62	TM(a)	TM Receiver Input

PIN DESCRIPTIONS BY PIN NUMBER					
63	LL(a)	LL Driver Output	82	GND	Ground
64	VCC	Power Supply Input	83	RS(a)	RTS Inverting Output
65	RL(a)	RL Driver Output	84	VCC	Power Supply Input
66	VSS1	-2xVCC Charge Pump	85	RS(b)	RTS Non-Inverting Output
67	C2N	Charge Pump Capacitor	86	GND	Ground
68	GND	Ground	87	ST(a)	ST Inverting Output
69	C1N	Charge Pump Capacitor	88	VCC	Power Supply Input
70	C2P	Charge Pump Capacitor	89	V35TGND3	ST Termination Reference
71	VCC	Power Supply Input	90	ST(b)	ST Non-Inverting Output
72	C1P	Charge Pump Capacitor	91	GND	Ground
73	VDD	2xVCC Charge Pump	92	TT(a)	TxCE Inverting Output
74	GND	Ground	93	VCC	5V Power Supply
75	TR(a)	DTR Inverting Output	94	V35TGND2	TT Termination Reference
76	NC	No Connect	95	TT(b)	TxCE Non-Inverting Output
77	VCC	Power Supply Input	96	GND	Ground
78	TR(b)	DTR Non-Inverting Output	97	SD(a)	TxD Inverting Output
79	RRC(b)	DCD Non-Inverting Output	98	VCC	5V Power Supply
80	VCC	Power Supply Input	99	V35TGND1	SD Termination Reference
81	RRC(a)	DCD Inverting Output	100	SD(b)	TxD Non-Inverting Output

TABLE 5: DRIVER MODE SELECTION

DRIVER OUTPUT PIN	V.35 MODE	EIA-530 MODE	RS-232 MODE (V.28)	EIA-530A MODE	RS-449 MODE (V.36)	X.21 MODE (V.11)	SHUT-DOWN	SUGGESTED SIGNAL
MODE (D0, D1, D2)	001	010	011	100	101	110	111	
T ₁ OUT(a)	V.35	V.11	V.28	V.11	V.11	V.11	High-Z	TxD(a)
T ₁ OUT(b)	V.35	V.11	High-Z	V.11	V.11	V.11	High-Z	TxD(b)
T ₂ OUT(a)	V.35	V.11	V.28	V.11	V.11	V.11	High-Z	TxCE(a)
T ₂ OUT(b)	V.35	V.11	High-Z	V.11	V.11	V.11	High-Z	TxCE(b)
T ₃ OUT(a)	V.35	V.11	V.28	V.11	V.11	V.11	High-Z	TxC_DCE(a)
T ₃ OUT(b)	V.35	V.11	High-Z	V.11	V.11	V.11	High-Z	TxC_DCE(b)
T ₄ OUT(a)	V.28	V.11	V.28	V.11	V.11	V.11	High-Z	RTS(a)
T ₄ OUT(b)	High-Z	V.11	High-Z	V.11	V.11	V.11	High-Z	RTS(b)
T ₅ OUT(a)	V.28	V.11	V.28	V.10	V.11	V.11	High-Z	DTR(a)
T ₅ OUT(b)	High-Z	V.11	High-Z	High-Z	V.11	V.11	High-Z	DTR(b)
T ₆ OUT(a)	V.28	V.11	V.28	V.11	V.11	V.11	High-Z	DCD_DCE(a)
T ₆ OUT(b)	High-Z	V.11	High-Z	V.11	V.11	V.11	High-Z	DCD_DCE(b)
T ₇ OUT(a)	V.28	V.10	V.28	V.10	V.10	High-Z	High-Z	RL
T ₈ OUT(a)	V.28	V.10	V.28	V.10	V.10	High-Z	High-Z	LL

TABLE 6: RECEIVER MODE SELECTION

RECEIVER INPUT PIN	V.35 MODE	EIA-530 MODE	RS-232 MODE (V.28)	EIA-530A MODE	RS-449 MODE (V.36)	X.21 MODE (V.11)	SHUT-DOWN	SUGGESTED SIGNAL
MODE (D0, D1, D2)	001	010	011	100	101	110	111	
R ₁ IN(a)	V.35	V.11	V.28	V.11	V.11	V.11	High-Z	RxD(a)
R ₁ IN(b)	V.35	V.11	High-Z	V.11	V.11	V.11	High-Z	RxD(b)
R ₂ IN(a)	V.35	V.11	V.28	V.11	V.11	V.11	High-Z	RxCE(a)
R ₂ IN(b)	V.35	V.11	High-Z	V.11	V.11	V.11	High-Z	RxCE(b)
R ₃ IN(a)	V.35	V.11	V.28	V.11	V.11	V.11	High-Z	TxC_DTE(a)
R ₃ IN(b)	V.35	V.11	High-Z	V.11	V.11	V.11	High-Z	TxC_DTE(b)
R ₄ IN(a)	V.28	V.11	V.28	V.11	V.11	V.11	High-Z	CTS(a)
R ₄ IN(b)	High-Z	V.11	High-Z	V.11	V.11	V.11	High-Z	CTS(b)
R ₅ IN(a)	V.28	V.11	V.28	V.10	V.11	V.11	High-Z	DSR(a)
R ₅ IN(b)	High-Z	V.11	High-Z	High-Z	V.11	V.11	High-Z	DSR(b)
R ₆ IN(a)	V.28	V.11	V.28	V.11	V.11	V.11	High-Z	DCD_DTE(a)
R ₆ IN(b)	High-Z	V.11	High-Z	V.11	V.11	V.11	High-Z	DCD_DTE(b)
R ₇ IN(a)	V.28	V.10	V.28	V.10	V.10	High-Z	High-Z	RI
R ₈ IN(a)	V.28	V.10	V.28	V.10	V.10	High-Z	High-Z	TM

TABLE 7: V.11 & V.35 DRIVERS

INPUTS		OUTPUTS	
Tx_EN#	Tx_IN	Tx(A)	Tx(B)
1	1	0	1
1	0	1	0

TABLE 11: V.10 DRIVERS

INPUTS		OUTPUTS	
Tx_EN#	Tx_IN	Tx(A)	Tx(B)
1	1	< -4V	> 30 kΩ
1	0	> +4V	> 30 kΩ

TABLE 8: V.11 & V.35 RECEIVERS

INPUTS	OUTPUTS
Rx(A) - Rx(B)	RO
≥ 200 mV	1
≤ -200 mV	0
Open / shorted	1

TABLE 12: V.10 RECEIVERS

INPUTS	OUTPUTS
Rx(A) - Rx(B)	RO
≥ +0.3V	0
≤ -0.3V	1
Open / ground	1

TABLE 9: V.28 DRIVERS

INPUTS		OUTPUTS	
Tx_EN#	Tx_IN	Tx(A)	Tx(B)
1	1	< -5V	> 30 kΩ
1	0	> +5V	> 30 kΩ

TABLE 10: V.28 RECEIVERS

INPUTS	OUTPUTS
Rx(A) - Rx(B)	RO
≥ +3V	0
≤ -3V	1
Open / ground	1

FIGURE 2. V.28 DRIVER OUTPUT OPEN CIRCUIT VOLTAGE

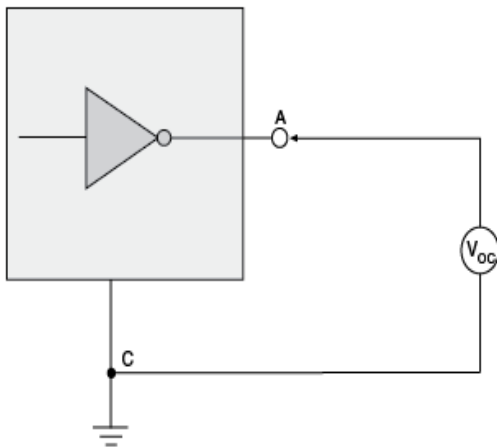


FIGURE 3. V.28 DRIVER OUTPUT LOADED VOLTAGE

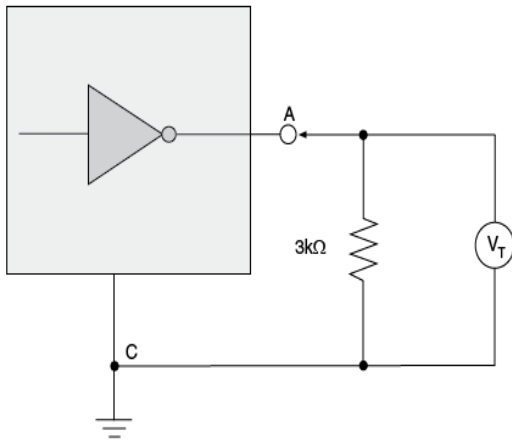


FIGURE 4. V.28 DRIVER OUTPUT SLEW RATE

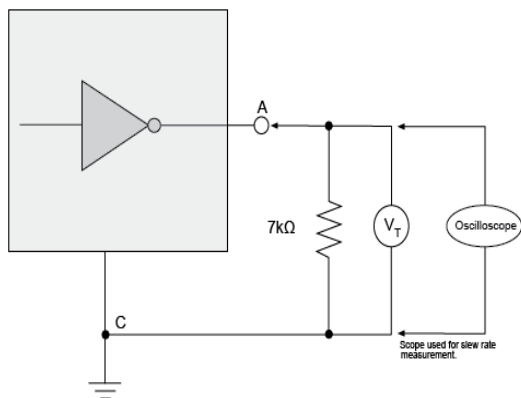


FIGURE 5. V.28 DRIVER OUTPUT SHORT CIRCUIT CURRENT

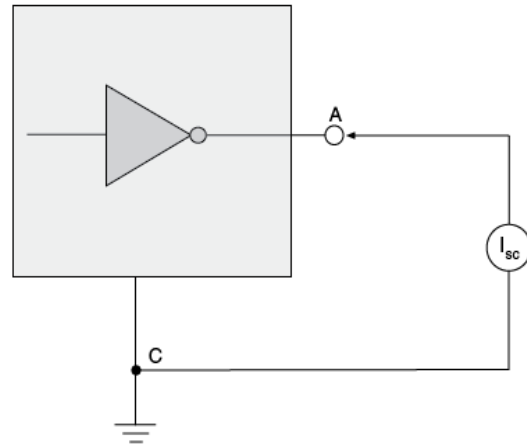


FIGURE 6. V.28 DRIVER OUTPUT POWER-OFF IMPEDANCE

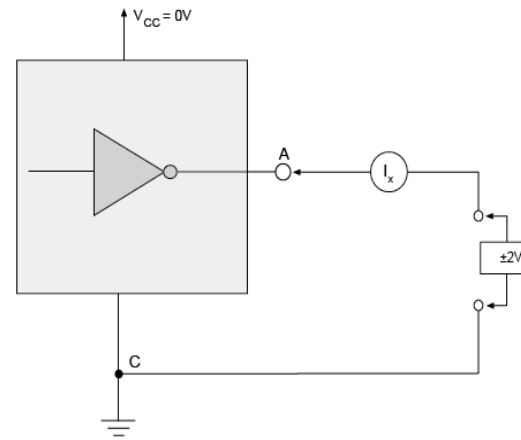


FIGURE 7. V.28 DRIVER OUTPUT RISE/FALL TIME

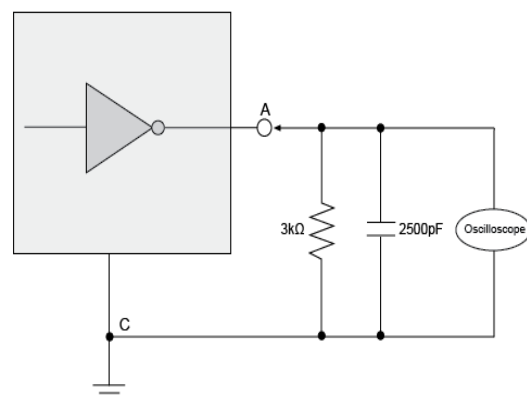


FIGURE 8. V.28 RECEIVER INPUT IMPEDANCE

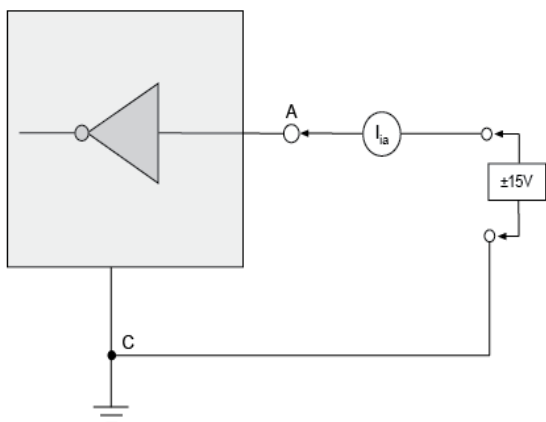


FIGURE 11. V.10 DRIVER OUTPUT TEST TERMINATED VOLTAGE

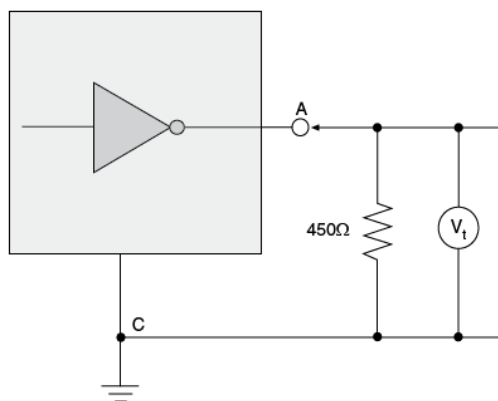


FIGURE 9. V.28 RECEIVER INPUT OPEN-CIRCUIT BIAS

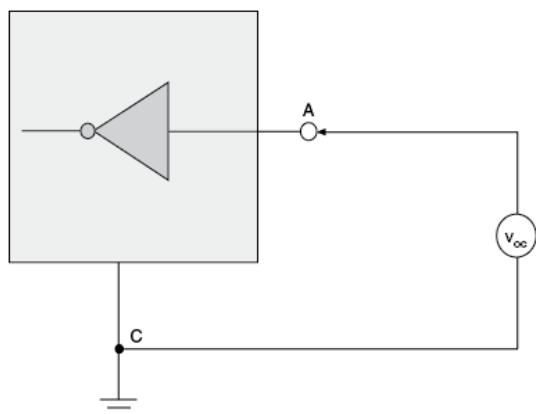


FIGURE 12. V.10 DRIVER OUTPUT SHORT-CIRCUIT CURRENT

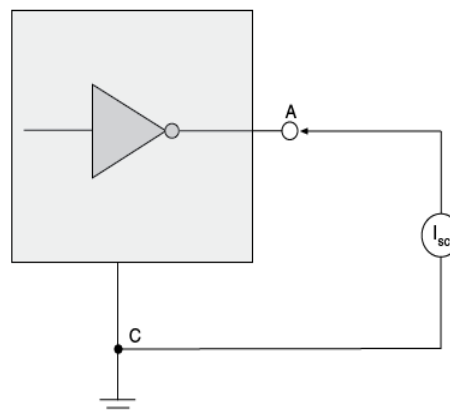


FIGURE 10. V.10 DRIVER OUTPUT OPEN-CIRCUIT VOLTAGE

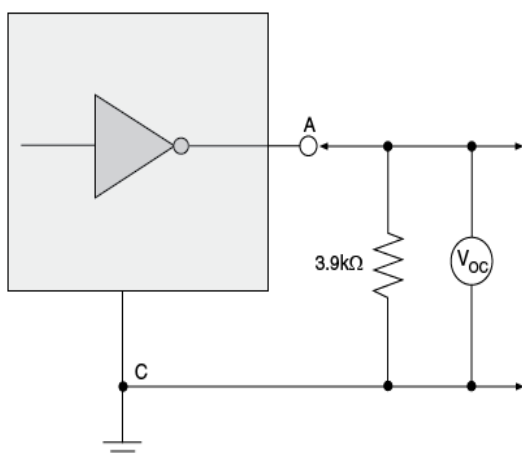


FIGURE 13. V.10 DRIVER OUTPUT POWER-OFF IMPEDANCE

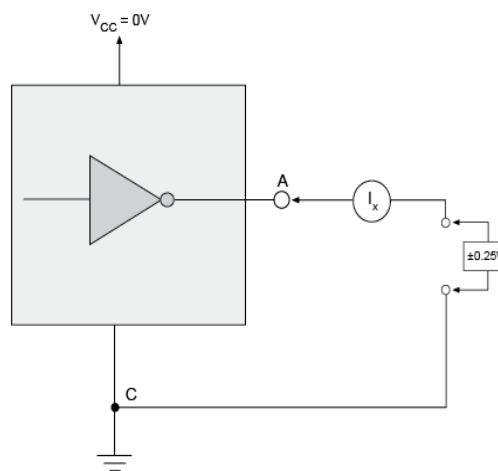


FIGURE 14. V.10 DRIVER OUTPUT TRANSITION TIME

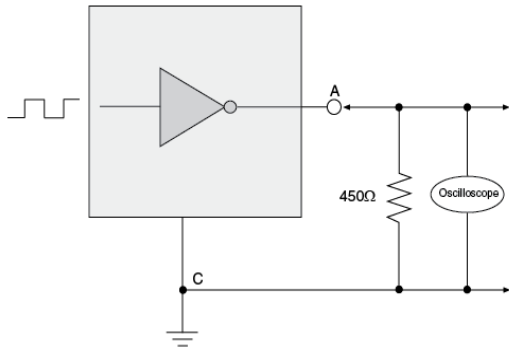


FIGURE 15. V.10 RECEIVER INPUT CURRENT

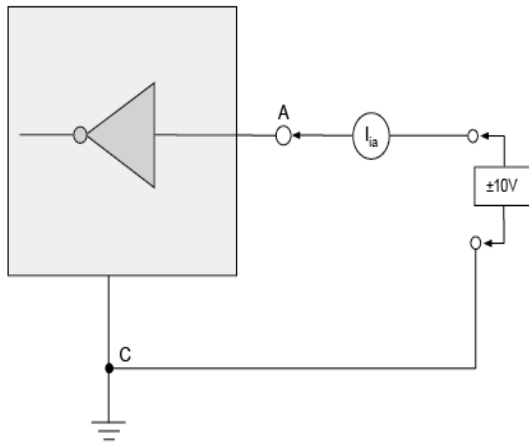


FIGURE 16. V.10 RECEIVER INPUT IV GRAPH

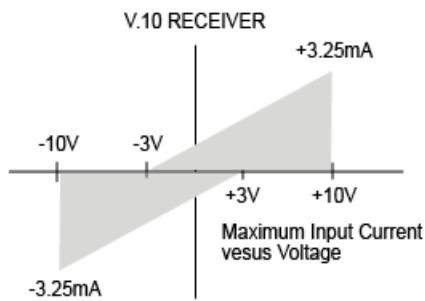


FIGURE 17. V.11 DRIVER OUTPUT TEST TERMINATED VOLTAGE

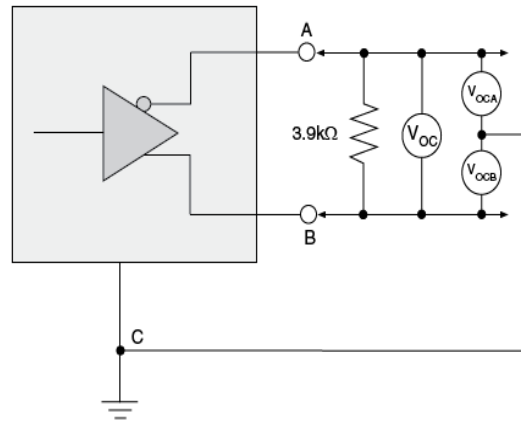


FIGURE 18. V.11 DRIVER OUTPUT TEST TERMINATED VOLTAGE

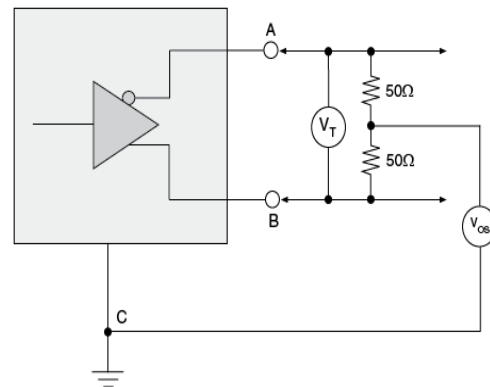


FIGURE 19. V.11 DRIVER OUTPUT SHORT-CIRCUIT CURRENT

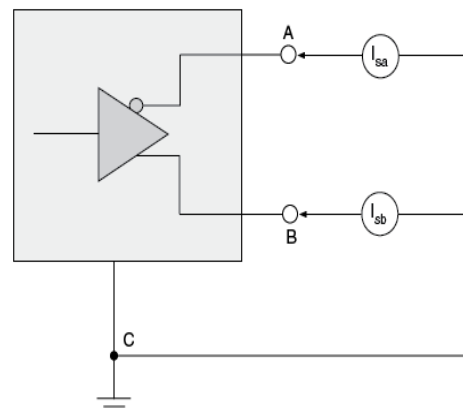


FIGURE 20. V.11 DRIVER OUTPUT POWER-OFF CURRENT

FIGURE 21. V.11 RECEIVER INPUT CURRENT

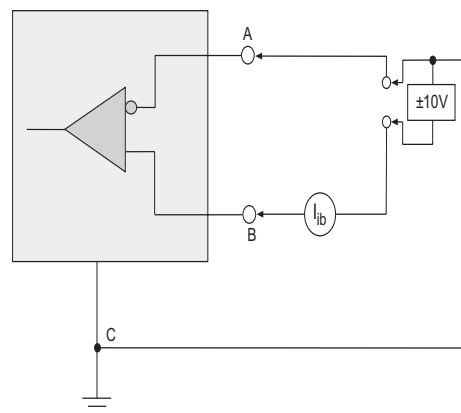
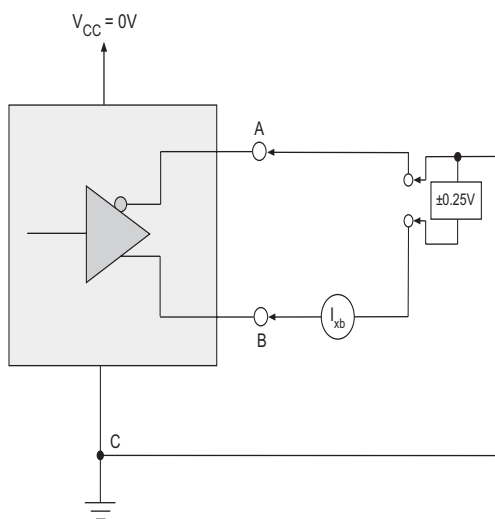
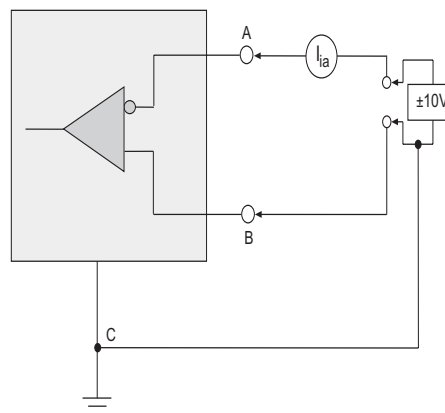
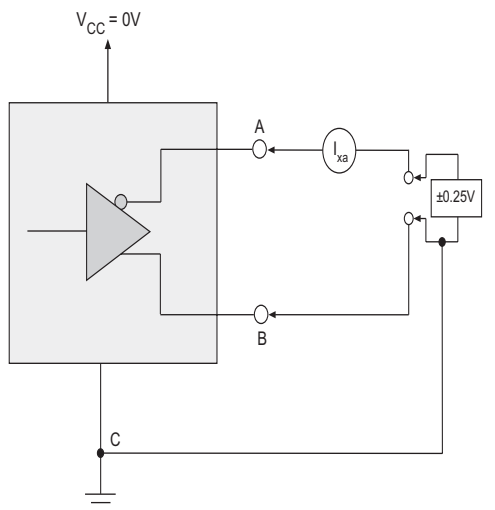


FIGURE 24. V.11 RECEIVER INPUT CURRENT WITH TERMINATION

FIGURE 22. V.11 DRIVER OUTPUT RISE/FALL TIME

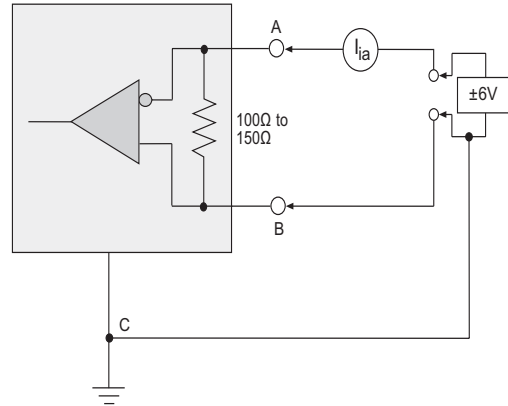
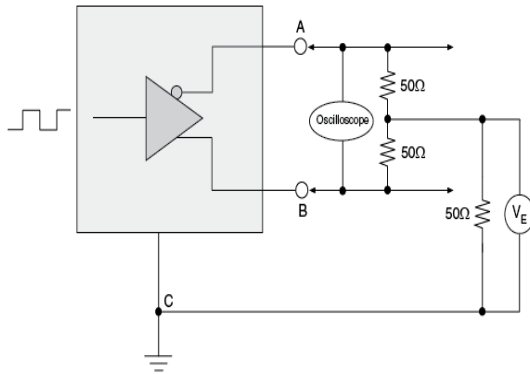


FIGURE 23. V.11 RECEIVER INPUT IV GRAPH

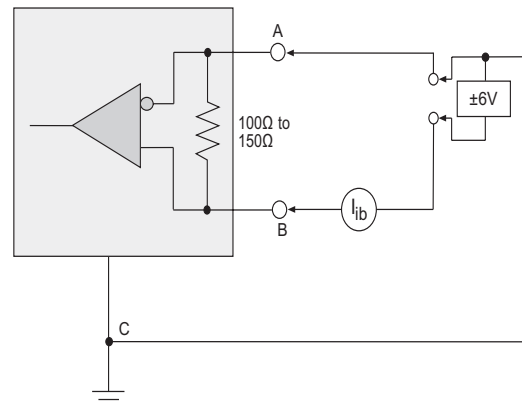
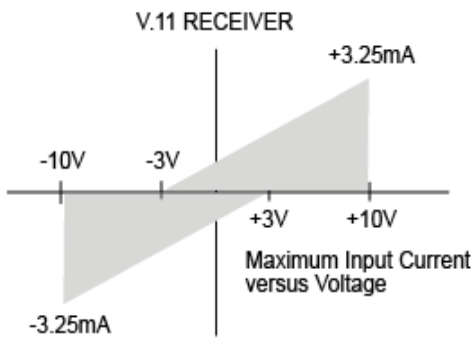


FIGURE 25. V.11 RECEIVER INPUT IV GRAPH WITH TERMINATION

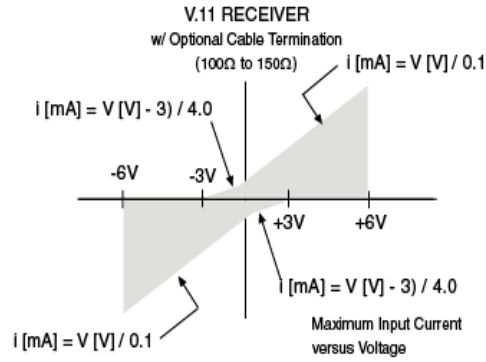


FIGURE 26. V.35 DRIVER OUTPUT TEST TERMINATED VOLTAGE

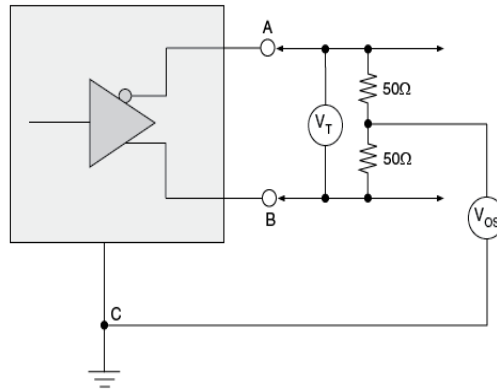


FIGURE 27. V.35 DRIVER OUTPUT SOURCE IMPEDANCE

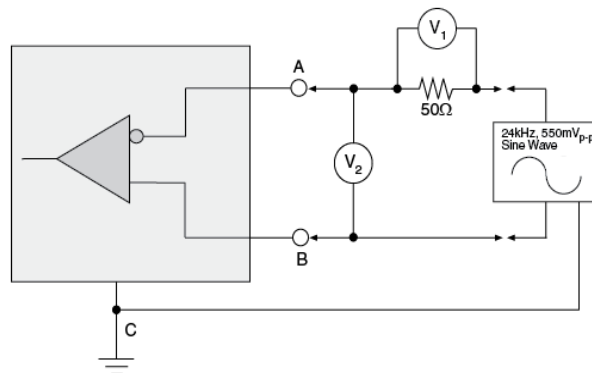


FIGURE 28. V.35 DRIVER OUTPUT SHORT-CIRCUIT IMPEDANCE

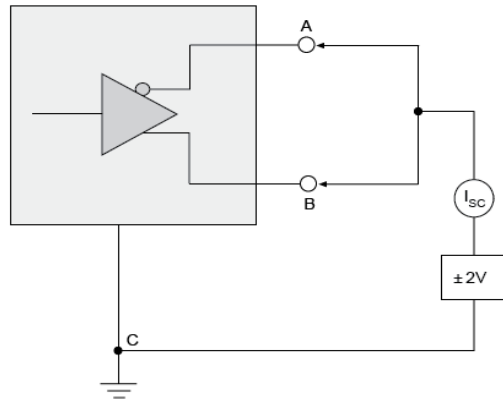


FIGURE 29. V.35 DRIVER OUTPUT RISE/FALL TIME

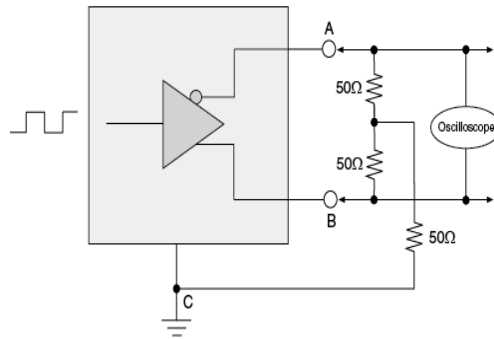


FIGURE 30. V.35 RECEIVER INPUT SOURCE IMPEDANCE

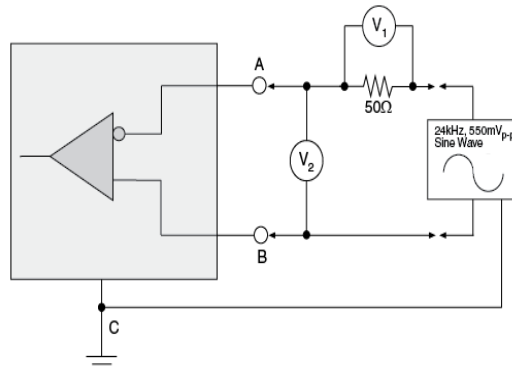


FIGURE 31. V.35 RECEIVER INPUT SHORT-CIRCUIT IMPEDANCE

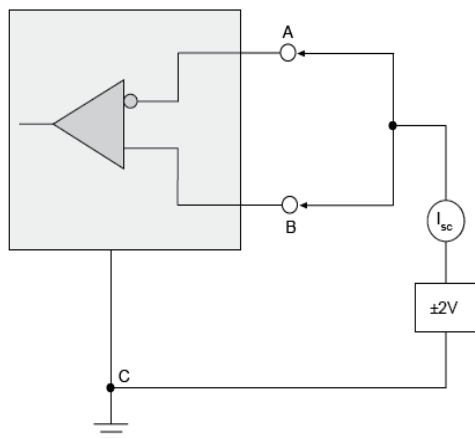


FIGURE 32. DRIVER OUTPUT CURRENT LEAKAGE TEST

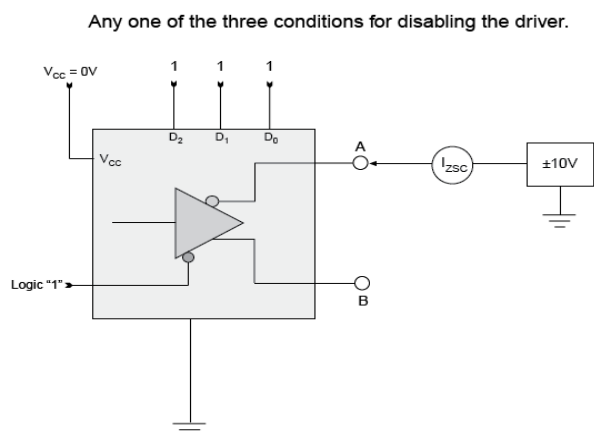


FIGURE 33. DRIVER / RECEIVER TIMING TEST CIRCUIT

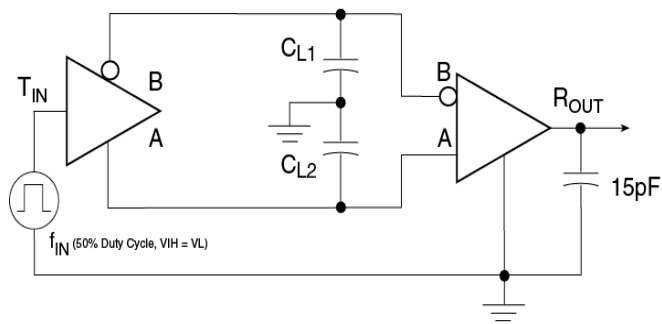


FIGURE 34. DRIVER TIMING TEST LOAD CIRCUIT

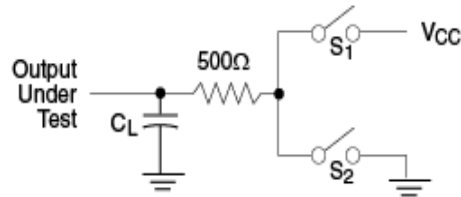


FIGURE 35. RECEIVER TIMING TEST LOAD CIRCUIT

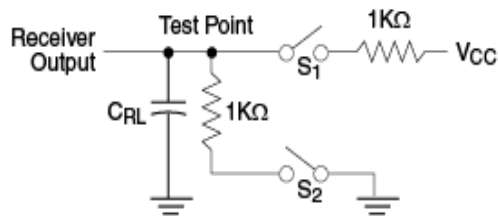


FIGURE 36. DRIVER PROPAGATION DELAYS

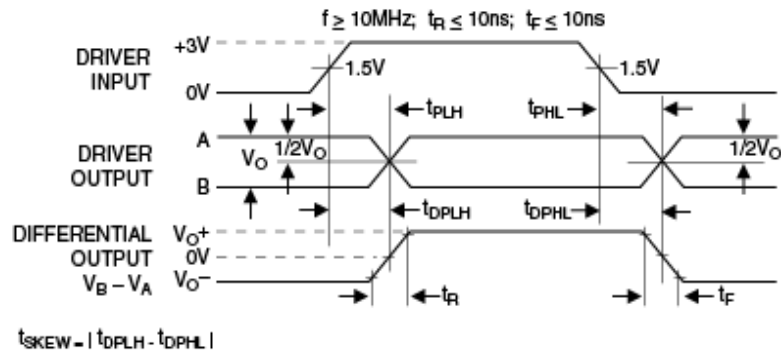


FIGURE 37. DRIVER ENABLE AND DISABLE TIMES

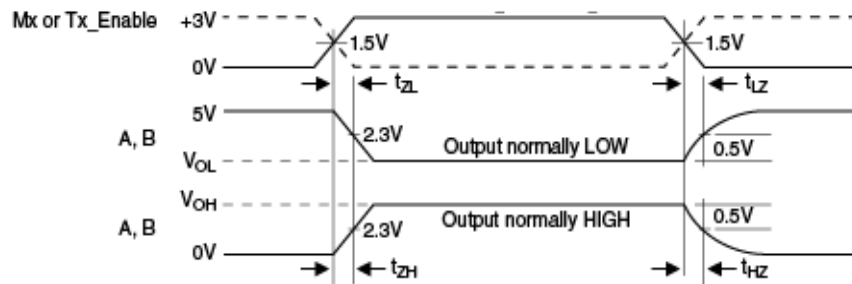


FIGURE 38. RECEIVER PROPAGATION DELAYS

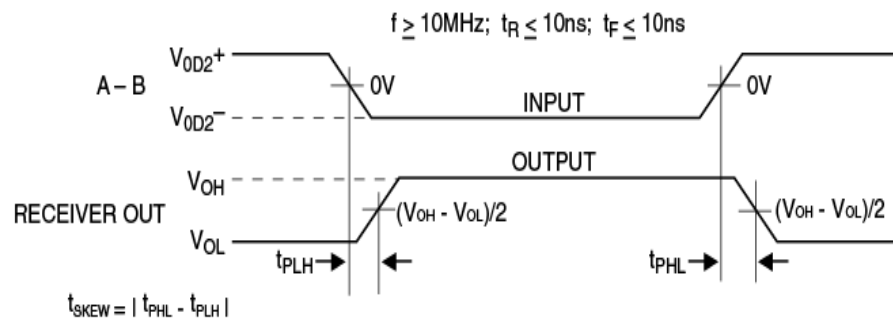


FIGURE 39. RECEIVER ENABLE AND DISABLE TIMES

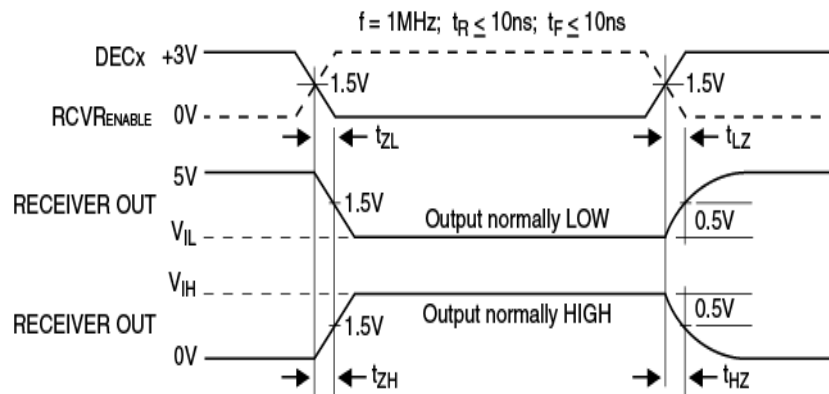


FIGURE 40. V.28 (RS-232) AND V.10 (RS-423) DRIVER ENABLE AND DISABLE TIMES

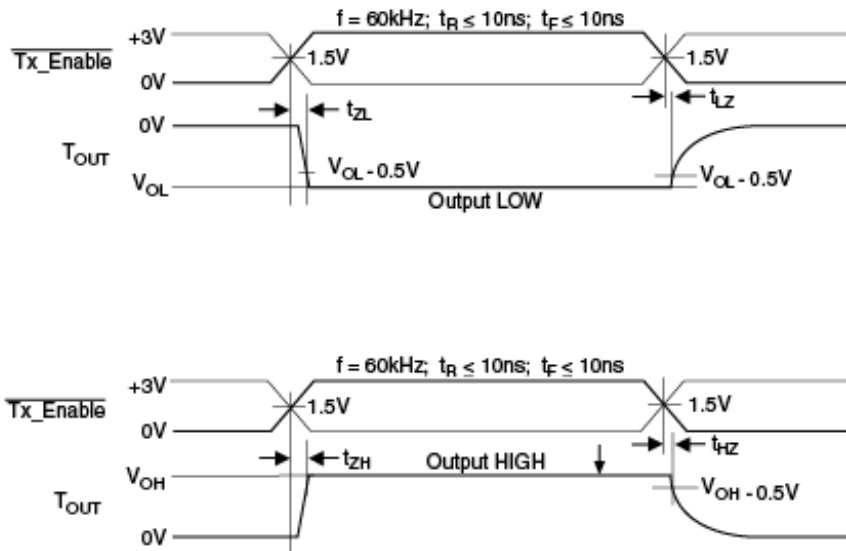


FIGURE 41. TYPICAL V.28 DRIVER OUTPUT WAVEFORM

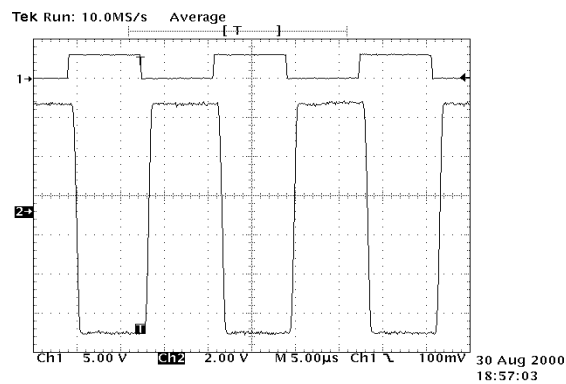


FIGURE 42. TYPICAL V.10 DRIVER OUTPUT WAVEFORM

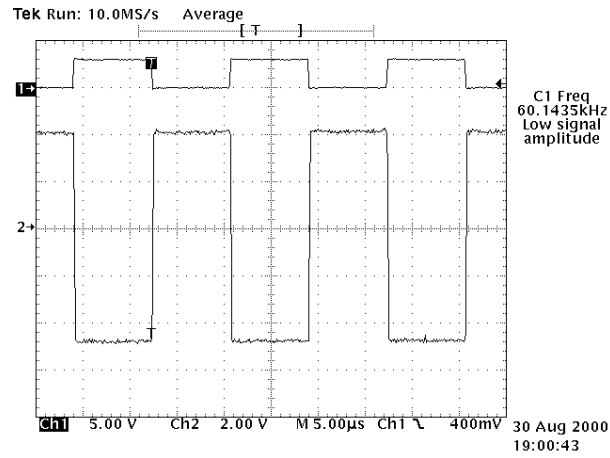


FIGURE 43. TYPICAL V.11 DRIVER OUTPUT WAVEFORM

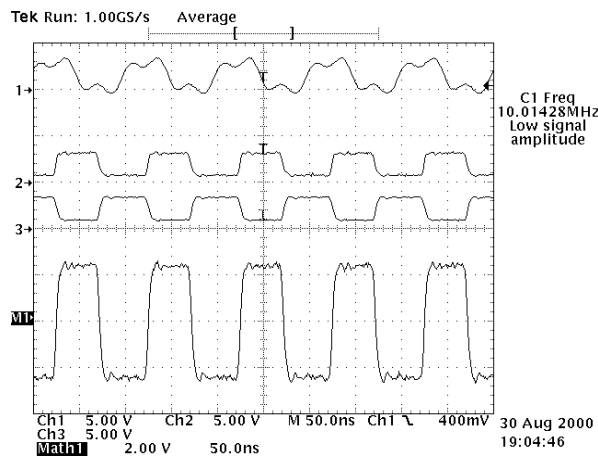


FIGURE 44. TYPICAL V.35 DRIVER OUTPUT WAVEFORM

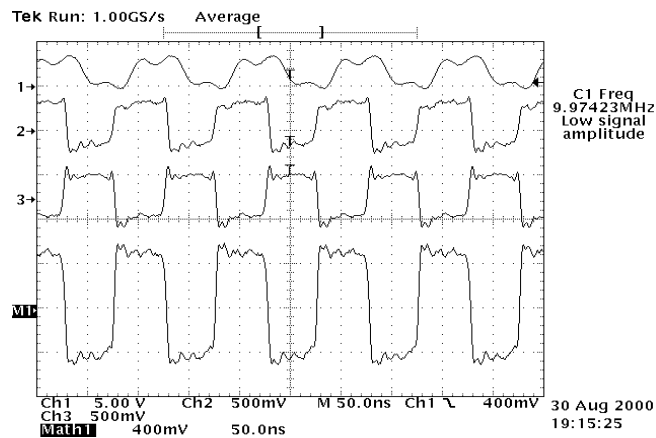


FIGURE 45. FUNCTIONAL DIAGRAM

VCC pins (26, 64, 71, 77, 80, 84, 88, 93, 98)
 GND pins (2, 25, 44, 52, 68, 74, 82, 86, 91, 96)
 VL pins (1 and 46)
 N.C. pins (24 and 76)

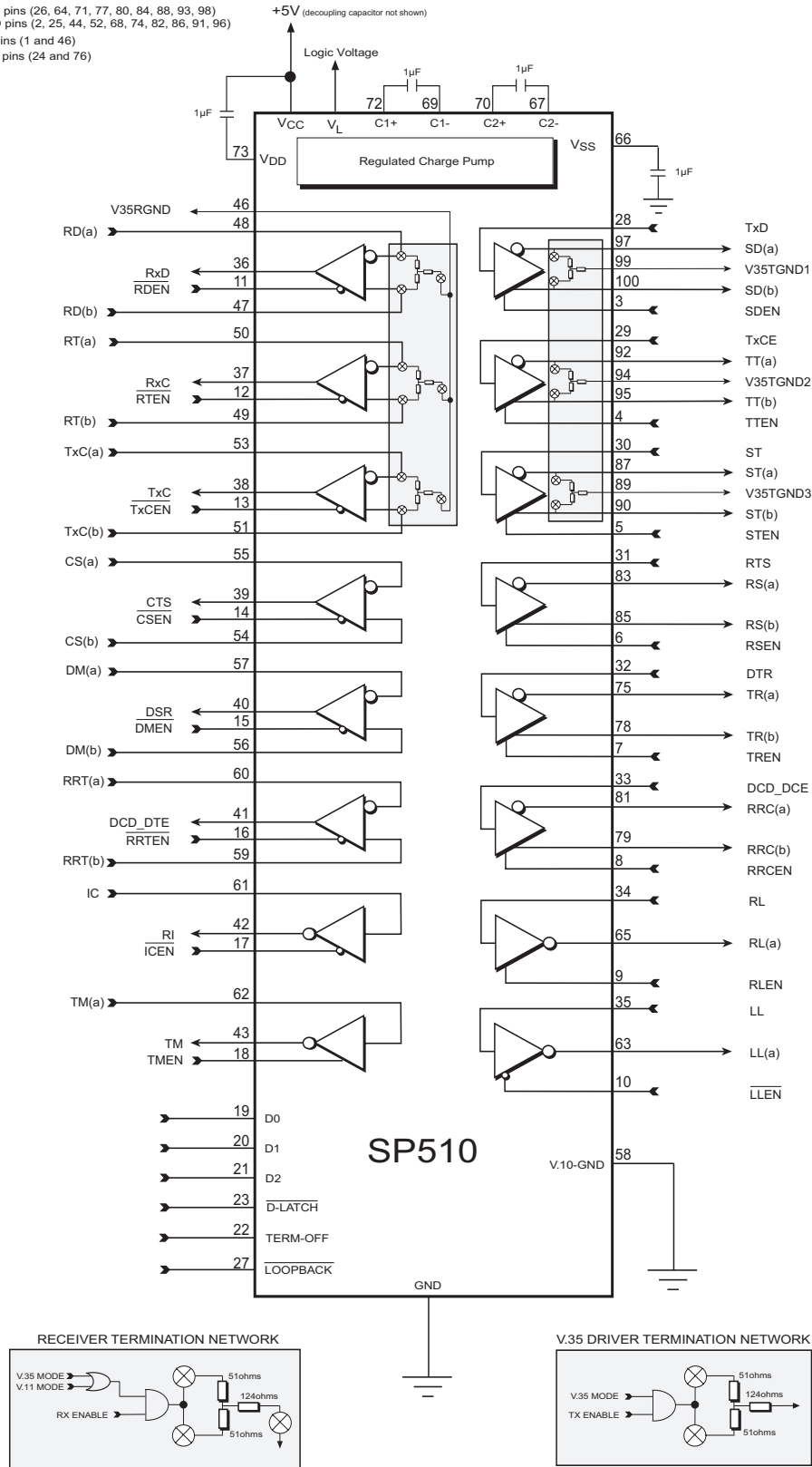


FIGURE 46. SP510 LOOPBACK PATH

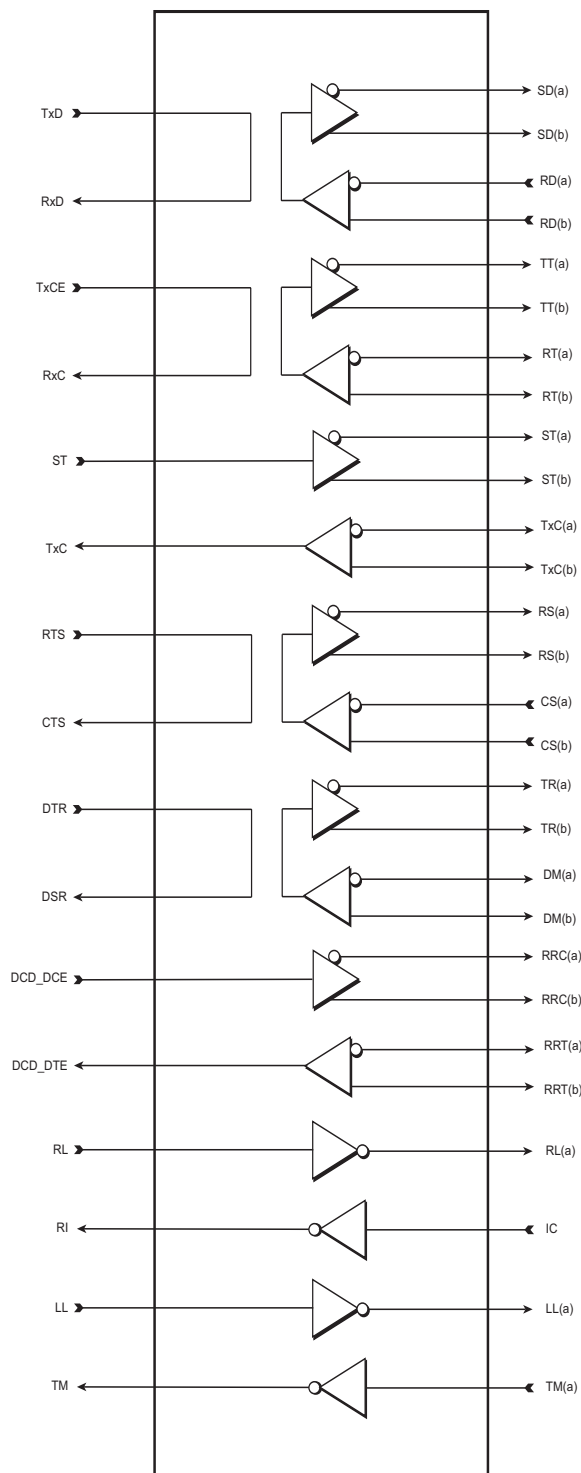
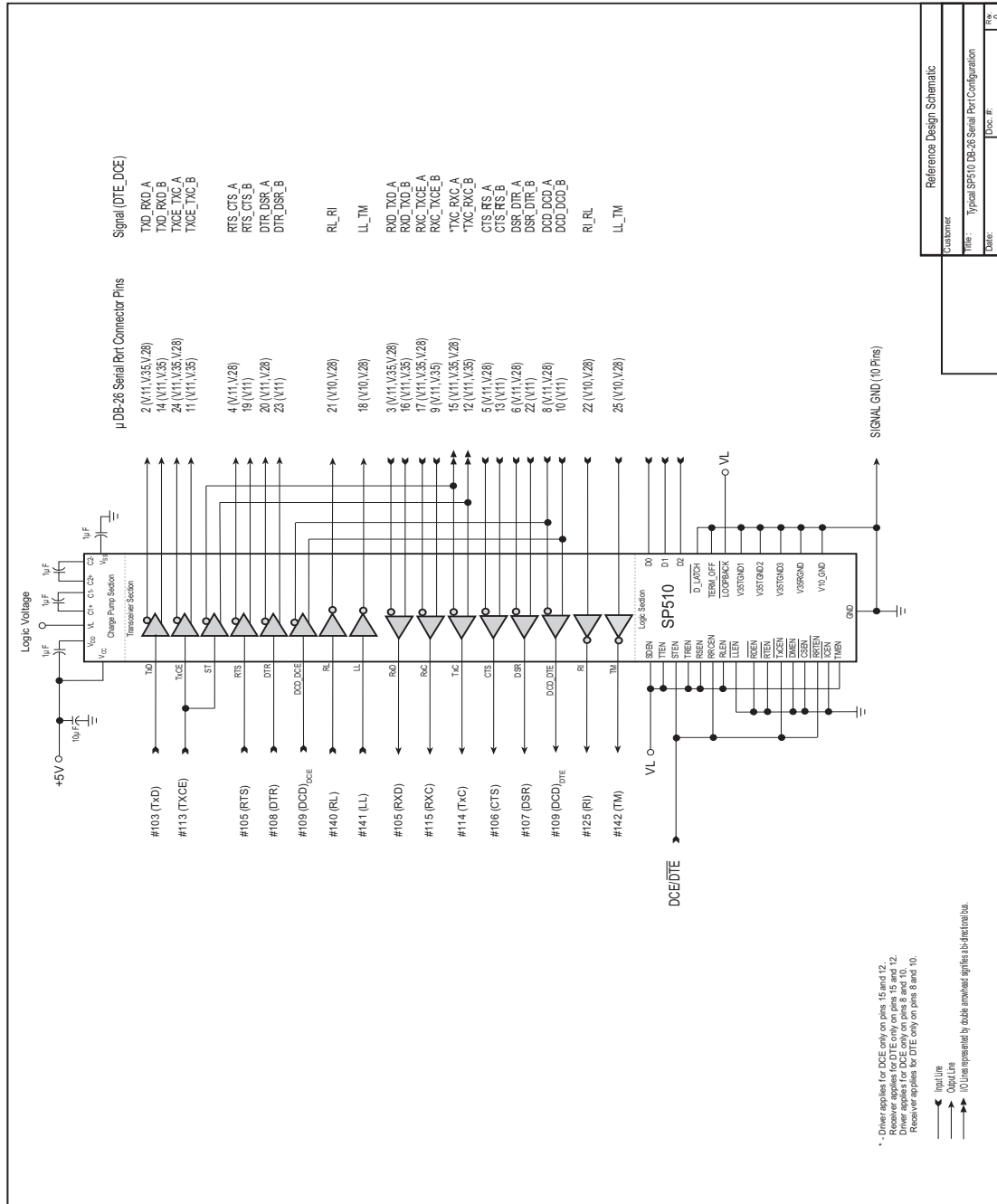


FIGURE 47. TYPICAL OPERATING CONFIGURATION TO SERIAL PORT CONNECTOR WITH DCE/DTE PROGRAMMABILITY



Reference Design Schematic	
Customer:	
Title:	Typical SP510 DB-26 Serial Port Configuration
Date:	Doc. #:

* - Driver applies for DCE only on pins 15 and 12.
Receiver applies for DTE only on pins 15 and 12.
Driver applies for DTE only on pins 8 and 10.
Receiver applies for DCE only on pins 8 and 10.

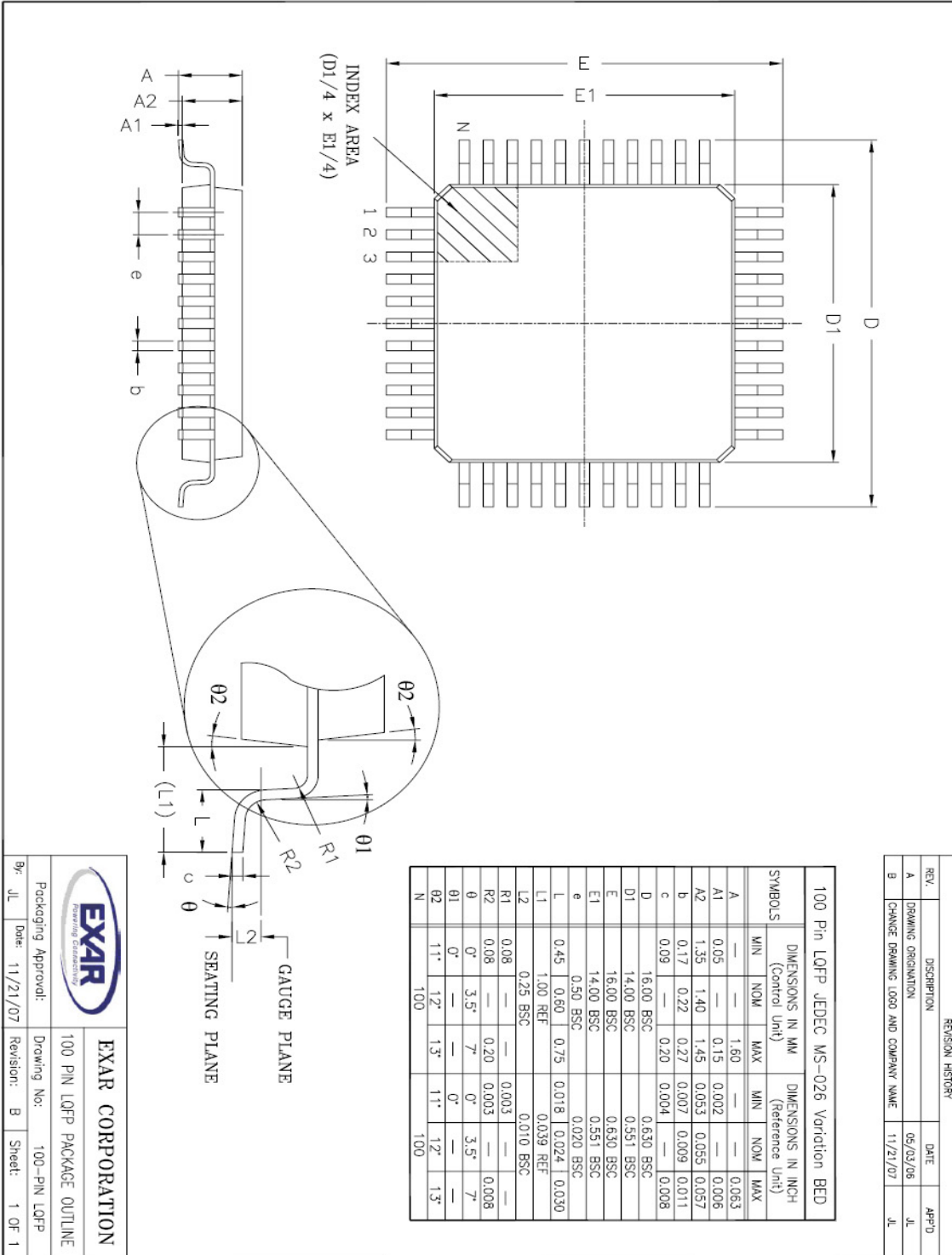
Input Line
Output Line
IO lines represented by double arrowhead signifies bidirectional bus.

Thermal Considerations

High speed devices like the SP510 dissipate heat during normal operation. Actual power dissipation is a function of the switching frequency and loading. For maximum system performance and reliability designers should ensure sufficient air flow. Other commonly used methods for managing heat include heat sinks for higher powered devices, forced air flow (fans) and lower density board stuffing.

PCB Design

The use of multi layer printed circuit boards is recommended to provide both a better ground plane and a thermal path for heat dissipation. If possible, the ground plane should face the bottom of the package to form the thermal conduction plane. Two-sided printed circuit boards may be used where board dimensions and package count are small, but multi-layer boards allow for improved signal routing as well as improved signal integrity. A multi layer board allows the use of microstrip line techniques to provide for high speed signal interconnections. On multi-layer boards route the high speed signal lines on the inner layers.



100 Pin LOFP JEDEC MS-026 Variation BED

SYMBOLS	DIMENSIONS IN MM (Control Unit)			DIMENSIONS IN INCH (Reference Unit)		
	MIN	NOM	MAX	MIN	NOM	MAX
A	—	—	1.60	—	—	0.063
A1	0.05	—	0.15	0.002	—	0.006
A2	1.35	1.40	1.45	0.053	0.055	0.057
b	0.17	0.22	0.27	0.007	0.009	0.011
c	0.09	—	0.20	—	—	0.008
D	—	16.00 BSC	—	—	0.630 BSC	—
D1	—	14.00 BSC	—	—	0.551 BSC	—
E	—	16.00 BSC	—	—	0.630 BSC	—
E1	—	14.00 BSC	—	—	0.551 BSC	—
e	—	0.50 BSC	—	—	0.020 BSC	—
L	0.45	0.60	0.75	0.018	0.024	0.030
L1	—	1.00 REF	—	—	0.039 REF	—
L2	—	0.25 BSC	—	—	0.010 BSC	—
R1	0.08	—	—	0.003	—	—
R2	0.08	—	0.20	0.003	—	0.008
theta	0°	3.5°	7°	0°	3.5°	7°
theta 1	0°	—	—	0°	—	—
theta 2	11°	12°	13°	11°	12°	13°
N	100	100	100	100	100	100

REVISION HISTORY			
REV.	DISCUSSION	DATE	APP'D
A	DRAWING ORIGINATOR	05/03/06	JL
B	CHANGE DRAWING LOGO AND COMPANY NAME	11/21/07	JL

		EXAR CORPORATION	
Packaging Approval:		100 PIN LOFP PACKAGE OUTLINE	
By: JL	Date: 11/21/07	Drawing No: 100-PIN LOFP	Revision: B
		Sheet: 1 OF 1	



REVISION HISTORY

DATE	REVISION	DESCRIPTION
December 2009	Rev 1.0.0	Final datasheet.
June 2011	Rev 1.0.1	Correct type error on mode select tables and update ordering information.

NOTICE

EXAR Corporation reserves the right to make changes to the products contained in this publication in order to improve design, performance or reliability. EXAR Corporation assumes no responsibility for the use of any circuits described herein, conveys no license under any patent or other right, and makes no representation that the circuits are free of patent infringement. Charts and schedules contained here in are only for illustration purposes and may vary depending upon a user's specific application. While the information in this publication has been carefully checked; no responsibility, however, is assumed for inaccuracies.

EXAR Corporation does not recommend the use of any of its products in life support applications where the failure or malfunction of the product can reasonably be expected to cause failure of the life support system or to significantly affect its safety or effectiveness. Products are not authorized for use in such applications unless EXAR Corporation receives, in writing, assurances to its satisfaction that: (a) the risk of injury or damage has been minimized; (b) the user assumes all such risks; (c) potential liability of EXAR Corporation is adequately protected under the circumstances.

Copyright 2011 EXAR Corporation

Datasheet June 2011.

Send your serial transceiver technical inquiry with technical details to hotline: serialtechsupport@exar.com.

Reproduction, in part or whole, without the prior written consent of EXAR Corporation is prohibited.