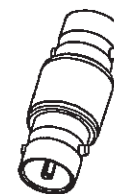


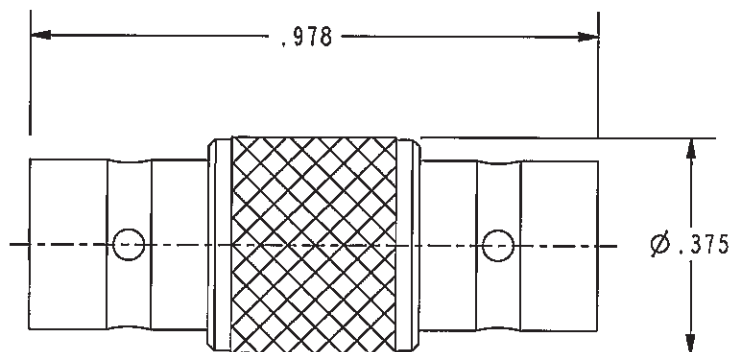
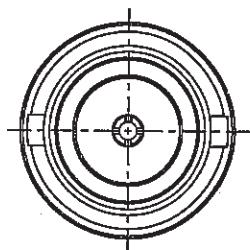
DATA CONTAINED IN THIS DOCUMENT IS PROPRIETARY TO TROMPETER ELECTRONICS INC. AND SHALL NOT BE DISCLOSED, COPIED OR USED FOR PROCUREMENT OR MANUFACTURE WITHOUT EXPRESS WRITTEN PERMISSION.

REVISIONS

REV	DESCRIPTIONS	DATE	APPROVED
A	PRODUCTION RELEASE	6/3/04	WJ



SCALE 1/1




RED INDICATES ORIGINAL

2. 75 Ω WITHIN SERIES MINI BNC FEED THRU RECEPTACLE

1. FINISH: BODY ASSEMBLY: TFS-1A (NICKEL)
CONTACT: TFS-1B (GOLD)

NOTES: UNLESS OTHERWISE SPECIFIED.

INTERPRET DRAWING PER MIL-STD-100. DIMENSIONS ARE IN INCHES AND INCLUDE FINISH THICKNESS UNLESS OTHERWISE SPECIFIED.		TOL: UNLESS SPECIFIED. .XX ± .02 .XXX ± .010 ANGLE ± 1°		 a cinch connectivity solutions brand	
DRN	AAH 5-24-04	MATERIAL:	TITLE: UAD258		
CHR	JS/Mash 6/1/04	FINISH:	SIZE	CAGE CODE	DRAWING NO.
QUALITY	WJ 6/3/04		A	14949	1-0619
HANDL	WJ 6/3/04	DO NOT SCALE DWG	SCALE	DATE	SHEET
APPROVED	WJ 6/3/04		3/1	6/3/04	IC
PROJ & FILE NO.	1-0619				
NEXT ASSY					