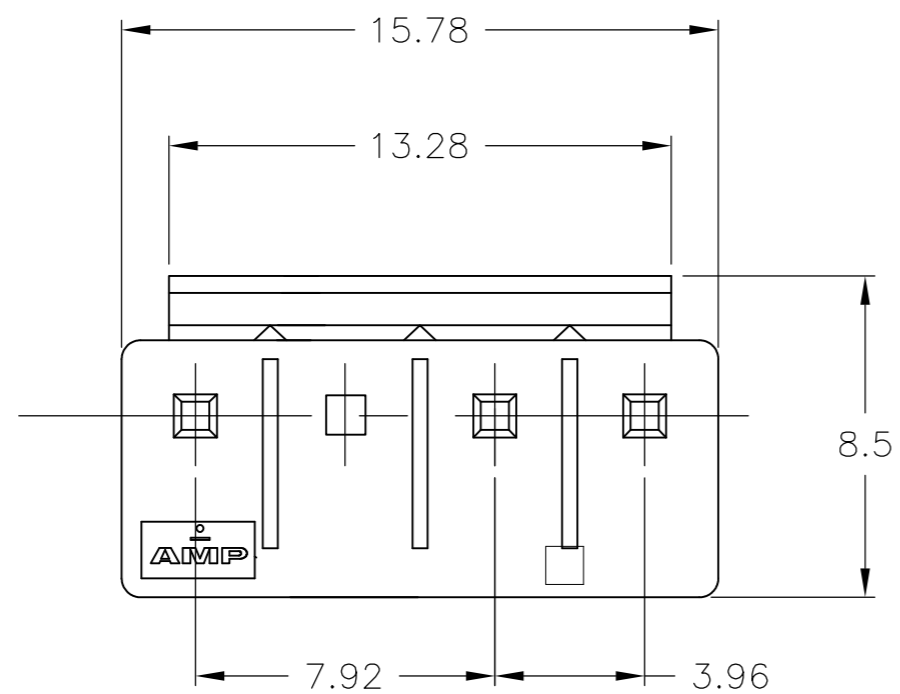
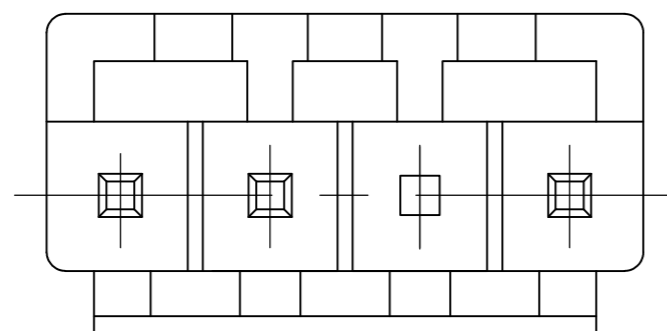
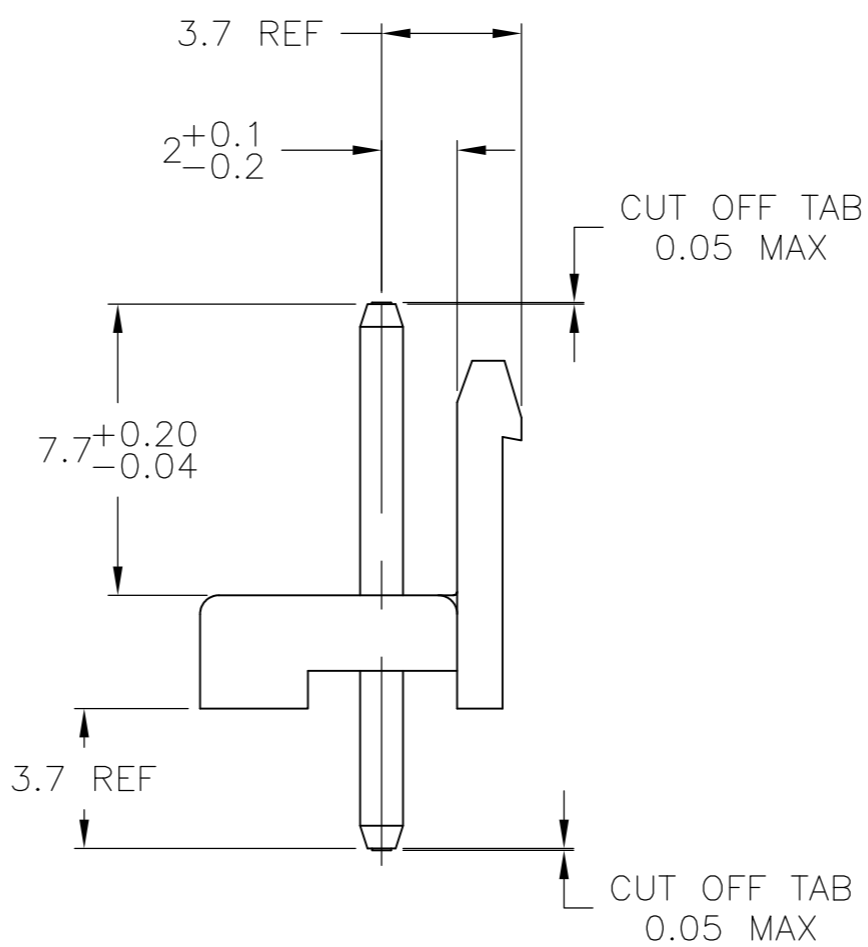
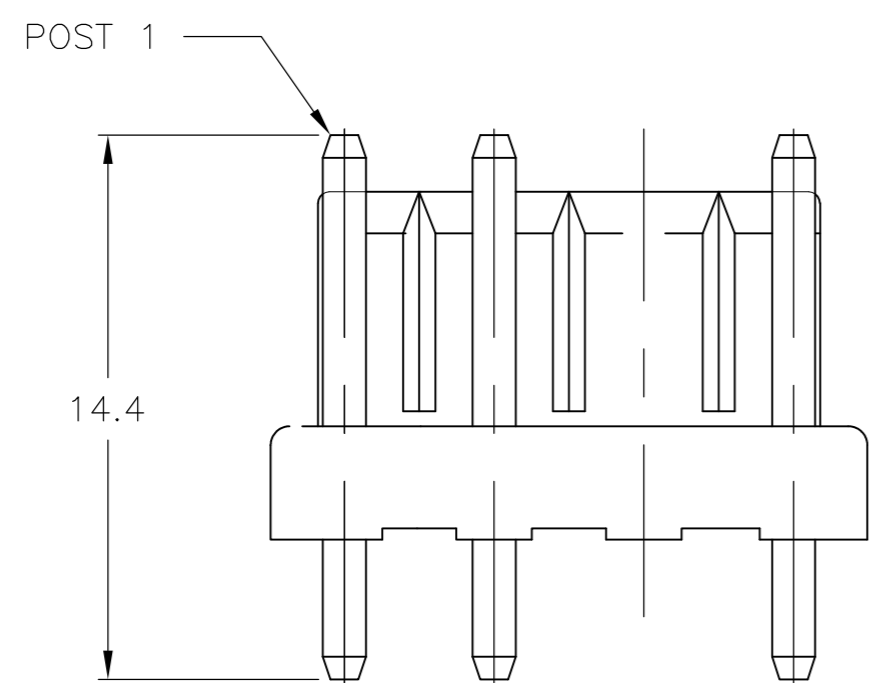


THIS DRAWING IS UNPUBLISHED. RELEASED FOR PUBLICATION
 © COPYRIGHT BY TYCO ELECTRONICS CORPORATION. ALL RIGHTS RESERVED.

LOC	DIST	REVISIONS			
P	LTR	DESCRIPTION	DATE	DWN	APVD
GP	00	C	REVISED PER ECO-09-017647	29OCT2009	CR CR

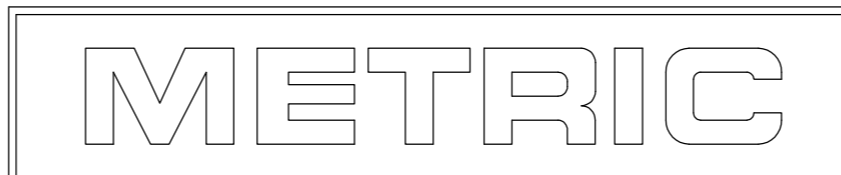


1. MATERIAL: HOUSING- PBT, NATURAL
 POST- BRASS, 0.001[.000039] MIN TIN OVER
 0.0008[.000031] MIN NICKEL.



1744104-1 SHOWN

OMITTED POST NUMBER	NO. OF POSITIONS	ASSEMBLY PART NO.
1,2	4	1744104-3
2	4	1744104-2
3	4	1744104-1



THIS DRAWING IS A CONTROLLED DOCUMENT.		DWN K. WHITAKER 04JUN04	Tyco Electronics Corporation Harrisburg, PA 17105-3608	
DIMENSIONS: mm		CHK D. BOSSI 04JUN04	NAME HEADER ASSEMBLY, SPECIAL, OMITTED POST, 4 POSITION ECONOMY POWER (EP)	
TOLERANCES UNLESS OTHERWISE SPECIFIED: 0 PLC ± - 1 PLC ± - 2 PLC ± - 3 PLC ± - 4 PLC ± - ANGLES ± -		APVD D. BOSSI 04JUN04	DRAWING NO A2 00779 C=1744104	
MATERIAL -		FINISH -	WEIGHT -	RESTRICTED TO -
CUSTOMER DRAWING			SCALE 5:1	SHEET 1 of 1