

断面 'A-A'  
(SECT 'A-A')

断面 'B-B'  
(SECT 'B-B')

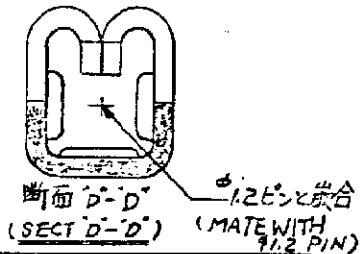
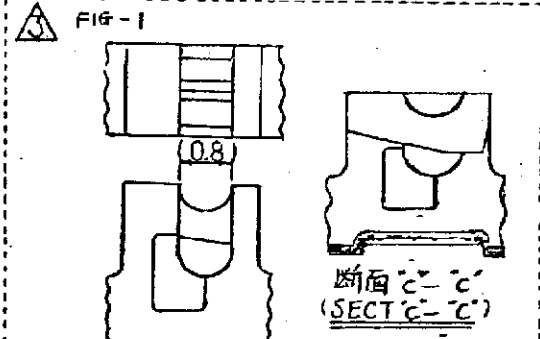
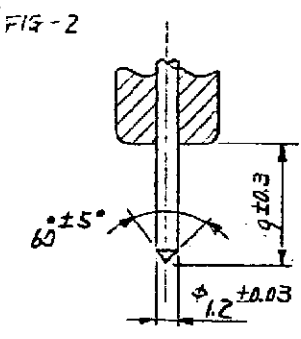
断面 'C-C'  
(SECT 'C-C')

- 注:
1. コンタクト材料:  
ステンレススチ-17.03<sup>2</sup> (NSS305M1)
  2. 適用点火プラグは下図寸法のものを使用の事 (Fig-2参照)
- △ 175036-2の嵌合部形状 (Fig-1参照)

- NOTES:
1. CONTACT MATERIAL;  
SUS 0.3<sup>2</sup> (NSS 305M1)
  2. APPLICABLE SPARK PLUG MUST BE DIMENSION OF FIG-2.
- △ CONTACT SHAPE FOR 175036-2. (SEE FIG-1)

SPT 7. 93

全寸: 1/16 DIMENSIONS IN MM. DO NOT SCALE PRINT



△	175036 - 2
—	175036 - 1
△	175036 - 2
—	175036 - 1

© 19... BY AMP (Japan), Ltd. ALL RIGHTS RESERVED. AMP PRODUCTS COVERED BY PATENTS AND/OR PATENTS PENDING

線径範囲 (WIRE RANGE): 0.3 ~ 0.87 mm (AWG 22-13)	線径 (INSULATION DIA.): J.0 ~ 5.0 mm	線径 (MATERIAL): 注1参照 (SEE NOTE 1)	線径 (FINISH): —
---	---------------------------------------	-------------------------------------	-------------------

**AMP** | 株式会社 AMP  
TOKYO, JAPAN

LOC: JA | SIZE: 49 (NO) | REV: A

品名 (NAME):  
IGNITION PLUG CONTACT (FOR 9.2)  
17ニシヨ 7ラ77 コンタクト (1.25)

LTR: 2 III (REVISION RECORD)	DR: [Signature]	CHK: [Signature]	DATE: 10/12/87
DR: [Signature]	APP: [Signature]	DATE: 10/12/87	