

## Adapter plate - HC-B 6-ADP/1 DSUB 15 - 1775473

Please be informed that the data shown in this PDF Document is generated from our Online Catalog. Please find the complete data in the user's documentation. Our General Terms of Use for Downloads are valid (<http://download.phoenixcontact.com>)


D-SUB adapter plate, for one D-SUB connector, no. of positions 15, housing series HC-B 6...



The illustration shows version HC-B 6-ADP/1 DSUB 9



### Key commercial data

Packing unit	1 pc
Minimum order quantity	2 pc
GTIN	 4 017918 038076
Weight per Piece (excluding packing)	13.8 GRM
Custom tariff number	85472000
Country of origin	Germany

### Technical data

#### Dimensions

Length	51.5 mm
Height	34.5 mm
Hole diameter	3.2 mm
Drill hole distance, vertical	27 mm

#### General

Note	For housing HC-B6
Material	PA
Inflammability class according to UL 94	HB
Color	gray
Number of positions	15

# Adapter plate - HC-B 6-ADP/1 DSUB 15 - 1775473

## Technical data

### General

Design	B6
--------	----

## Classifications

### eCl@ss

eCl@ss 4.0	27140816
eCl@ss 4.1	27140816
eCl@ss 5.0	27143424
eCl@ss 5.1	27143424
eCl@ss 6.0	27143424
eCl@ss 7.0	27440209
eCl@ss 8.0	27440209

### ETIM

ETIM 3.0	EC002309
ETIM 4.0	EC002309
ETIM 5.0	EC002309

### UNSPSC

UNSPSC 6.01	30211808
UNSPSC 7.0901	39121408
UNSPSC 11	39121408
UNSPSC 12.01	39121408
UNSPSC 13.2	39121408

## Approvals

### Approvals

---

#### Approvals

GOST

---

#### Ex Approvals

---

#### Approvals submitted

---

# Adapter plate - HC-B 6-ADP/1 DSUB 15 - 1775473

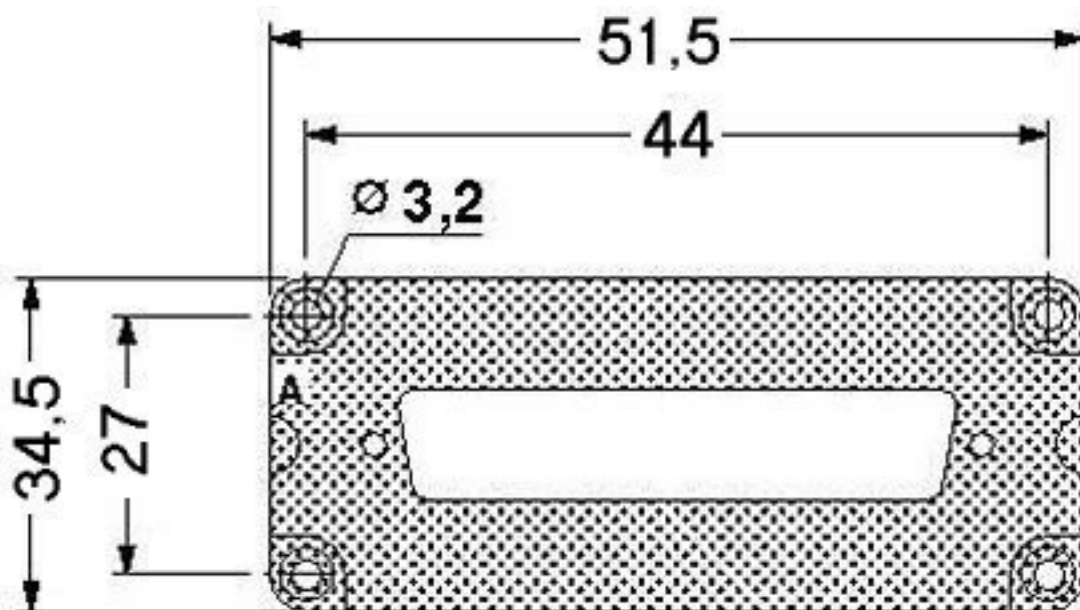
Approvals

Approval details



Drawings

Dimensioned drawing



## Adapter plate - HC-B 6-ADP/1 DSUB 15 - 1775473

Dimensioned drawing

