

To our customers,

Old Company Name in Catalogs and Other Documents

On April 1st, 2010, NEC Electronics Corporation merged with Renesas Technology Corporation, and Renesas Electronics Corporation took over all the business of both companies. Therefore, although the old company name remains in this document, it is a valid Renesas Electronics document. We appreciate your understanding.

Renesas Electronics website: <http://www.renesas.com>

April 1st, 2010
Renesas Electronics Corporation

Issued by: Renesas Electronics Corporation (<http://www.renesas.com>)

Send any inquiries to <http://www.renesas.com/inquiry>.

Notice

1. All information included in this document is current as of the date this document is issued. Such information, however, is subject to change without any prior notice. Before purchasing or using any Renesas Electronics products listed herein, please confirm the latest product information with a Renesas Electronics sales office. Also, please pay regular and careful attention to additional and different information to be disclosed by Renesas Electronics such as that disclosed through our website.
2. Renesas Electronics does not assume any liability for infringement of patents, copyrights, or other intellectual property rights of third parties by or arising from the use of Renesas Electronics products or technical information described in this document. No license, express, implied or otherwise, is granted hereby under any patents, copyrights or other intellectual property rights of Renesas Electronics or others.
3. You should not alter, modify, copy, or otherwise misappropriate any Renesas Electronics product, whether in whole or in part.
4. Descriptions of circuits, software and other related information in this document are provided only to illustrate the operation of semiconductor products and application examples. You are fully responsible for the incorporation of these circuits, software, and information in the design of your equipment. Renesas Electronics assumes no responsibility for any losses incurred by you or third parties arising from the use of these circuits, software, or information.
5. When exporting the products or technology described in this document, you should comply with the applicable export control laws and regulations and follow the procedures required by such laws and regulations. You should not use Renesas Electronics products or the technology described in this document for any purpose relating to military applications or use by the military, including but not limited to the development of weapons of mass destruction. Renesas Electronics products and technology may not be used for or incorporated into any products or systems whose manufacture, use, or sale is prohibited under any applicable domestic or foreign laws or regulations.
6. Renesas Electronics has used reasonable care in preparing the information included in this document, but Renesas Electronics does not warrant that such information is error free. Renesas Electronics assumes no liability whatsoever for any damages incurred by you resulting from errors in or omissions from the information included herein.
7. Renesas Electronics products are classified according to the following three quality grades: “Standard”, “High Quality”, and “Specific”. The recommended applications for each Renesas Electronics product depends on the product’s quality grade, as indicated below. You must check the quality grade of each Renesas Electronics product before using it in a particular application. You may not use any Renesas Electronics product for any application categorized as “Specific” without the prior written consent of Renesas Electronics. Further, you may not use any Renesas Electronics product for any application for which it is not intended without the prior written consent of Renesas Electronics. Renesas Electronics shall not be in any way liable for any damages or losses incurred by you or third parties arising from the use of any Renesas Electronics product for an application categorized as “Specific” or for which the product is not intended where you have failed to obtain the prior written consent of Renesas Electronics. The quality grade of each Renesas Electronics product is “Standard” unless otherwise expressly specified in a Renesas Electronics data sheets or data books, etc.
 - “Standard”: Computers; office equipment; communications equipment; test and measurement equipment; audio and visual equipment; home electronic appliances; machine tools; personal electronic equipment; and industrial robots.
 - “High Quality”: Transportation equipment (automobiles, trains, ships, etc.); traffic control systems; anti-disaster systems; anti-crime systems; safety equipment; and medical equipment not specifically designed for life support.
 - “Specific”: Aircraft; aerospace equipment; submersible repeaters; nuclear reactor control systems; medical equipment or systems for life support (e.g. artificial life support devices or systems), surgical implantations, or healthcare intervention (e.g. excision, etc.), and any other applications or purposes that pose a direct threat to human life.
8. You should use the Renesas Electronics products described in this document within the range specified by Renesas Electronics, especially with respect to the maximum rating, operating supply voltage range, movement power voltage range, heat radiation characteristics, installation and other product characteristics. Renesas Electronics shall have no liability for malfunctions or damages arising out of the use of Renesas Electronics products beyond such specified ranges.
9. Although Renesas Electronics endeavors to improve the quality and reliability of its products, semiconductor products have specific characteristics such as the occurrence of failure at a certain rate and malfunctions under certain use conditions. Further, Renesas Electronics products are not subject to radiation resistance design. Please be sure to implement safety measures to guard them against the possibility of physical injury, and injury or damage caused by fire in the event of the failure of a Renesas Electronics product, such as safety design for hardware and software including but not limited to redundancy, fire control and malfunction prevention, appropriate treatment for aging degradation or any other appropriate measures. Because the evaluation of microcomputer software alone is very difficult, please evaluate the safety of the final products or system manufactured by you.
10. Please contact a Renesas Electronics sales office for details as to environmental matters such as the environmental compatibility of each Renesas Electronics product. Please use Renesas Electronics products in compliance with all applicable laws and regulations that regulate the inclusion or use of controlled substances, including without limitation, the EU RoHS Directive. Renesas Electronics assumes no liability for damages or losses occurring as a result of your noncompliance with applicable laws and regulations.
11. This document may not be reproduced or duplicated, in any form, in whole or in part, without prior written consent of Renesas Electronics.
12. Please contact a Renesas Electronics sales office if you have any questions regarding the information contained in this document or Renesas Electronics products, or if you have any other inquiries.

(Note 1) “Renesas Electronics” as used in this document means Renesas Electronics Corporation and also includes its majority-owned subsidiaries.

(Note 2) “Renesas Electronics product(s)” means any product developed or manufactured by or for Renesas Electronics.

M16C/6N Group (M16C/6N5)

Hardware Manual

Renesas MCU
M16C Family / M16C/60 Series

All information contained in this material, including products and product specifications at the time of publication of this material, is subject to change by Renesas Electronics Corp. without notice. Please review the latest information published by Renesas Electronics Corp. through various means, including the Renesas Electronics Corp. website (<http://www.renesas.com>).

Keep safety first in your circuit designs!

- Renesas Technology Corporation puts the maximum effort into making semiconductor products better and more reliable, but there is always the possibility that trouble may occur with them. Trouble with semiconductors may lead to personal injury, fire or property damage. Remember to give due consideration to safety when making your circuit designs, with appropriate measures such as (i) placement of substitutive, auxiliary circuits, (ii) use of non-flammable material or (iii) prevention against any malfunction or mishap.

Notes regarding these materials

- These materials are intended as a reference to assist our customers in the selection of the Renesas Technology Corporation product best suited to the customer's application; they do not convey any license under any intellectual property rights, or any other rights, belonging to Renesas Technology Corporation or a third party.
- Renesas Technology Corporation assumes no responsibility for any damage, or infringement of any third-party's rights, originating in the use of any product data, diagrams, charts, programs, algorithms, or circuit application examples contained in these materials.
- All information contained in these materials, including product data, diagrams, charts, programs and algorithms represents information on products at the time of publication of these materials, and are subject to change by Renesas Technology Corporation without notice due to product improvements or other reasons. It is therefore recommended that customers contact Renesas Technology Corporation or an authorized Renesas Technology Corporation product distributor for the latest product information before purchasing a product listed herein.

The information described here may contain technical inaccuracies or typographical errors. Renesas Technology Corporation assumes no responsibility for any damage, liability, or other loss rising from these inaccuracies or errors.

Please also pay attention to information published by Renesas Technology Corporation by various means, including the Renesas Technology Corporation Semiconductor home page (<http://www.renesas.com>).

- When using any or all of the information contained in these materials, including product data, diagrams, charts, programs, and algorithms, please be sure to evaluate all information as a total system before making a final decision on the applicability of the information and products. Renesas Technology Corporation assumes no responsibility for any damage, liability or other loss resulting from the information contained herein.
- Renesas Technology Corporation semiconductors are not designed or manufactured for use in a device or system that is used under circumstances in which human life is potentially at stake. Please contact Renesas Technology Corporation or an authorized Renesas Technology Corporation product distributor when considering the use of a product contained herein for any specific purposes, such as apparatus or systems for transportation, vehicular, medical, aerospace, nuclear, or undersea repeater use.
- The prior written approval of Renesas Technology Corporation is necessary to reprint or reproduce in whole or in part these materials.
- If these products or technologies are subject to the Japanese export control restrictions, they must be exported under a license from the Japanese government and cannot be imported into a country other than the approved destination.
Any diversion or reexport contrary to the export control laws and regulations of Japan and/or the country of destination is prohibited.
- Please contact Renesas Technology Corporation for further details on these materials or the products contained therein.

General Precautions in the Handling of MPU/MCU Products

The following usage notes are applicable to all MPU/MCU products from Renesas. For detailed usage notes on the products covered by this manual, refer to the relevant sections of the manual. If the descriptions under General Precautions in the Handling of MPU/MCU Products and in the body of the manual differ from each other, the description in the body of the manual takes precedence.

1. Handling of Unused Pins

Handle unused pins in accord with the directions given under Handling of Unused Pins in the manual.

- The input pins of CMOS products are generally in the high-impedance state. In operation with an unused pin in the open-circuit state, extra electromagnetic noise is induced in the vicinity of LSI, an associated shoot-through current flows internally, and malfunctions occur due to the false recognition of the pin state as an input signal become possible. Unused pins should be handled as described under Handling of Unused Pins in the manual.

2. Processing at Power-on

The state of the product is undefined at the moment when power is supplied.

- The states of internal circuits in the LSI are indeterminate and the states of register settings and pins are undefined at the moment when power is supplied.

In a finished product where the reset signal is applied to the external reset pin, the states of pins are not guaranteed from the moment when power is supplied until the reset process is completed.

In a similar way, the states of pins in a product that is reset by an on-chip power-on reset function are not guaranteed from the moment when power is supplied until the power reaches the level at which resetting has been specified.

3. Prohibition of Access to Reserved Addresses

Access to reserved addresses is prohibited.

- The reserved addresses are provided for the possible future expansion of functions. Do not access these addresses; the correct operation of LSI is not guaranteed if they are accessed.

4. Clock Signals

After applying a reset, only release the reset line after the operating clock signal has become stable.

When switching the clock signal during program execution, wait until the target clock signal has stabilized.

- When the clock signal is generated with an external resonator (or from an external oscillator) during a reset, ensure that the reset line is only released after full stabilization of the clock signal. Moreover, when switching to a clock signal produced with an external resonator (or by an external oscillator) while program execution is in progress, wait until the target clock signal is stable.

5. Differences between Products

Before changing from one product to another, i.e. to one with a different type number, confirm that the change will not lead to problems.

- The characteristics of MPU/MCU in the same group but having different type numbers may differ because of the differences in internal memory capacity and layout pattern. When changing to products of different type numbers, implement a system-evaluation test for each of the products.

Blank page

How to Use This Manual

1. Purpose and Target Readers

This manual is designed to provide the user with an understanding of the hardware functions and electrical characteristics of the MCU. It is intended for users designing application systems incorporating the MCU. A basic knowledge of electric circuits, logical circuits, and MCUs is necessary in order to use this manual. The manual comprises an overview of the product; descriptions of the CPU, system control functions, peripheral functions, and electrical characteristics; and usage notes.

Particular attention should be paid to the precautionary notes when using the manual. These notes occur within the body of the text, at the end of each section, and in the Usage Notes section.

The revision history summarizes the locations of revisions and additions. It does not list all revisions. Refer to the text of the manual for details.

The following documents apply to the M16C/6N Group (M16C/6N5). Make sure to refer to the latest versions of these documents. The newest versions of the documents listed may be obtained from the Renesas Technology Web site.

Document Type	Description	Document Title	Document No.
Datasheet	Hardware overview and electrical characteristics	M16C/6N Group (M16C/6N5) Datasheet	REJ03B0004
Hardware manual	Hardware specifications (pin assignments, memory maps, peripheral function specifications, electrical characteristics, timing charts) and operation description Note: Refer to the application notes for details on using peripheral functions.	M16C/6N Group (M16C/6N5) Hardware Manual	This hardware manual (REJ09B0011)
Software manual	Description of CPU instruction set	M16C/60, M16C/20, M16C/Tiny Series Software Manual	REJ09B0137
Application note	Information on using peripheral functions and application examples Sample programs Information on writing programs in assembly language and C	Available from Renesas Technology web site	
Renesas technical update	Product specifications, updates on documents, etc.		

2. Notation of Numbers and Symbols

The notation conventions for register names, bit names, numbers, and symbols used in this manual are described below.

(1) Register Names, Bit Names, and Pin Names

Registers, bits, and pins are referred to in the text by symbols. The symbol is accompanied by the word “register,” “bit,” or “pin” to distinguish the three categories.

Examples the PM03 bit in the PM0 register

P3_5 pin, VCC pin

(2) Notation of Numbers

The indication “b” is appended to numeric values given in binary format. However, nothing is appended to the values of single bits. The indication “h” is appended to numeric values given in hexadecimal format. Nothing is appended to numeric values given in decimal format.

Examples Binary: 11b

Hexadecimal: EFA0h

Decimal: 1234

3. Register Notation

The symbols and terms used in register diagrams are described below.

XXX Register

Bit Symbol	Bit Name	Function	RW
XXX0	XXX bits	b1b0 0 0: XXX 0 1: XXX	RW ^{*2}
XXX1		1 0: Do not set a value 1 1: XXX	RW
– (b2)	Nothing is assigned. If necessary, set to 0, When read, the content is undefined.		– ^{*3}
– (b4-b3)	Reserved bits	Set to 0	WO ^{*4}
XXX5	XXX bits	Function varies depending on operating mode	RW
XXX6			RW
XXX7	XXX bit	0: XXX 1: XXX	RO

^{*1}

- Blank: Set to 0 or 1 according to the application
- 0 : Set to 0
- 1 : Set to 1
- X : Nothing is assigned

^{*2}

- RW : Read and write
- RO : Read only
- WO : Write only
- : Nothing is assigned

^{*3}

- Reserved bit
- Reserved bit. Set to specified value.

^{*4}

- Nothing is assigned
- Nothing is assigned to the bit. As the bit may be used for future functions, if necessary, set to 0.
- Do not set a value
- Operation is not guaranteed when a value is set.
- Function varies depending on operating mode
- The function of the bit varies with the peripheral function mode.
- Refer to the register diagram for information on the individual modes.

4. List of Abbreviations and Acronyms

Abbreviation	Full Form
ACIA	Asynchronous Communication Interface Adapter
bps	bits per second
CRC	Cyclic Redundancy Check
DMA	Direct Memory Access
DMAC	Direct Memory Access Controller
GSM	Global System for Mobile Communications
Hi-Z	High Impedance
IEBus	Inter Equipment bus
I/O	Input/Output
IrDA	Infrared Data Association
LSB	Least Significant Bit
MSB	Most Significant Bit
NC	Non-Connection
PLL	Phase Locked Loop
PWM	Pulse Width Modulation
SFR	Special Function Registers
SIM	Subscriber Identity Module
UART	Universal Asynchronous Receiver/Transmitter
VCO	Voltage Controlled Oscillator

Table of Contents

SFR Page Reference	B-1
1. Overview	1
1.1 Applications	1
1.2 Performance Overview	2
1.3 Block Diagram	3
1.4 Product Information	4
1.5 Pin Assignments	5
1.6 Pin Functions	9
2. Central Processing Unit (CPU)	12
2.1 Data Registers (R0, R1, R2, and R3)	12
2.2 Address Registers (A0 and A1)	12
2.3 Frame Base Register (FB)	13
2.4 Interrupt Table Register (INTB)	13
2.5 Program Counter (PC)	13
2.6 User Stack Pointer (USP), Interrupt Stack Pointer (ISP)	13
2.7 Static Base Register (SB)	13
2.8 Flag Register (FLG)	13
2.8.1 Carry Flag (C Flag)	13
2.8.2 Debug Flag (D Flag)	13
2.8.3 Zero Flag (Z Flag)	13
2.8.4 Sign Flag (S Flag)	13
2.8.5 Register Bank Select Flag (B Flag)	13
2.8.6 Overflow Flag (O Flag)	13
2.8.7 Interrupt Enable Flag (I Flag)	13
2.8.8 Stack Pointer Select Flag (U Flag)	13
2.8.9 Processor Interrupt Priority Level (IPL)	13
2.8.10 Reserved Area	13
3. Memory	14
4. Special Function Registers (SFRs)	15
5. Resets	27
5.1 Hardware Reset	27
5.1.1 Reset on a Stable Supply Voltage	27
5.1.2 Power-on Reset	27
5.2 Software Reset	29
5.3 Watchdog Timer Reset	29
5.4 Oscillation Stop Detection Reset	29
5.5 Internal Space	29
6. Processor Mode	30
6.1 Types of Processor Mode	30
6.2 Setting Processor Modes	30
7. Bus	35
7.1 Bus Mode	35
7.1.1 Separate Bus	35
7.1.2 Multiplexed Bus	35

7.2 Bus Control	36
7.2.1 Address Bus	36
7.2.2 Data Bus	36
7.2.3 Chip Select Signal	36
7.2.4 Read and Write Signals	38
7.2.5 ALE Signal	38
7.2.6 $\overline{\text{RDY}}$ Signal	39
7.2.7 $\overline{\text{HOLD}}$ Signal	40
7.2.8 BCLK Output	40
7.2.9 External Bus Status when Internal Area Accessed	42
7.2.10 Software Wait	42
8. Clock Generation Circuit	46
8.1 Types of Clock Generation Circuit	46
8.1.1 Main Clock	53
8.1.2 Sub Clock	54
8.1.3 On-chip Oscillator Clock	55
8.1.4 PLL Clock	55
8.2 CPU Clock and Peripheral Function Clock	57
8.2.1 CPU Clock and BCLK	57
8.2.2 Peripheral Function Clock	57
8.3 Clock Output Function	57
8.4 Power Control	58
8.4.1 Normal Operating Mode	58
8.4.2 Wait Mode	60
8.4.3 Stop Mode	62
8.5 Oscillation Stop and Re-oscillation Detection Function	67
8.5.1 Operation when CM27 Bit = 0 (Oscillation Stop Detection Reset)	67
8.5.2 Operation when CM27 Bit = 1 (Oscillation Stop, Re-oscillation Detection Interrupt)	67
8.5.3 How to Use Oscillation Stop and Re-oscillation Detection Function	68
9. Protection	69
10. Interrupts	70
10.1 Type of Interrupts	70
10.2 Software Interrupts	71
10.2.1 Undefined Instruction Interrupt	71
10.2.2 Overflow Interrupt	71
10.2.3 BRK Interrupt	71
10.2.4 INT Instruction Interrupt	71
10.3 Hardware Interrupts	72
10.3.1 Special Interrupts	72
10.3.2 Peripheral Function Interrupts	72
10.4 Interrupts and Interrupt Vector	73
10.4.1 Fixed Vector Tables	73
10.4.2 Relocatable Vector Tables	74
10.5 Interrupt Control	75
10.5.1 I Flag	77
10.5.2 IR Bit	77
10.5.3 Bits ILVL2 to ILVL0 and IPL	77

10.5.4	Interrupt Sequence	78
10.5.5	Interrupt Response Time	79
10.5.6	Variation of IPL when Interrupt Request is Accepted	79
10.5.7	Saving Registers	80
10.5.8	Returning from Interrupt Routine	81
10.5.9	Interrupt Priority	81
10.5.10	Interrupt Priority Level Select Circuit	81
10.6	$\overline{\text{INT}}$ Interrupt	83
10.7	$\overline{\text{NMI}}$ Interrupt	85
10.8	Key Input Interrupt	85
10.9	CAN0 Wake-up Interrupt	85
10.10	Address Match Interrupt	86
11.	Watchdog Timer	88
11.1	Count Source Protective Mode	89
12.	DMAC	90
12.1	Transfer Cycle	95
12.1.1	Effect of Source and Destination Addresses	95
12.1.2	Effect of BYTE Pin Level	95
12.1.3	Effect of Software Wait	95
12.1.4	Effect of $\overline{\text{RDY}}$ Signal	95
12.2	DMA Transfer Cycles	97
12.3	DMA Enable	98
12.4	DMA Request	98
12.5	Channel Priority and DMA Transfer Timing	99
13.	Timers	100
13.1	Timer A	102
13.1.1	Timer Mode	106
13.1.2	Event Counter Mode	107
13.1.3	One-shot Timer Mode	112
13.1.4	Pulse Width Modulation (PWM) Mode	114
13.2	Timer B	117
13.2.1	Timer Mode	120
13.2.2	Event Counter Mode	121
13.2.3	Pulse Period and Pulse Width Measurement Mode	122
14.	Three-Phase Motor Control Timer Function	125
15.	Serial Interface	136
15.1	UARTi	136
15.1.1	Clock Synchronous Serial I/O Mode	146
15.1.2	Clock Asynchronous Serial I/O (UART) Mode	154
15.1.3	Special Mode 1 (I ² C Mode)	162
15.1.4	Special Mode 2	171
15.1.5	Special Mode 3 (IE Mode)	176
15.1.6	Special Mode 4 (SIM Mode) (UART2)	178
15.2	SI/O3	183
15.2.1	SI/O3 Operation Timing	186
15.2.2	CLK Polarity Selection	186
15.2.3	Functions for Setting SOUT3 Initial Value	187

16. A/D Converter	188
16.1 Mode Description	192
16.1.1 One-shot Mode	192
16.1.2 Repeat Mode	194
16.1.3 Single Sweep Mode	196
16.1.4 Repeat Sweep Mode 0	198
16.1.5 Repeat Sweep Mode 1	200
16.2 Function	202
16.2.1 Resolution Select Function	202
16.2.2 Sample and Hold	202
16.2.3 Extended Analog Input Pins	202
16.2.4 External Operation Amplifier (Op-Amp) Connection Mode	202
16.2.5 Current Consumption Reducing Function	203
16.2.6 Output Impedance of Sensor under A/D Conversion	203
17. D/A Converter	205
18. CRC Calculation	207
19. CAN Module	209
19.1 CAN Module-Related Registers	210
19.1.1 CAN0 Message Box	210
19.1.2 Acceptance Mask Registers	210
19.1.3 CAN SFR Registers	210
19.2 CAN0 Message Box	211
19.3 Acceptance Mask Registers	213
19.4 CAN SFR Registers	214
19.5 Operational Modes	221
19.5.1 CAN Reset/Initialization Mode	221
19.5.2 CAN Operation Mode	222
19.5.3 CAN Sleep Mode	222
19.5.4 CAN Interface Sleep Mode	222
19.5.5 Bus Off State	223
19.6 CAN Module System Clock Configuration	224
19.7 Bit Timing Configuration	224
19.8 Bit-rate	225
19.8.1 Calculation of Bit-rate	225
19.9 Acceptance Filtering Function and Masking Function	226
19.10 Acceptance Filter Support Unit (ASU)	227
19.11 Basic CAN Mode	228
19.12 Return from Bus Off Function	229
19.13 Time Stamp Counter and Time Stamp Function	229
19.14 Listen-Only Mode	229
19.15 Reception and Transmission	230
19.15.1 Reception	231
19.15.2 Transmission	232
19.16 CAN Interrupt	233

20. Programmable I/O Ports	234
20.1 PDi Register	234
20.2 Pi Register	234
20.3 PURj Register	234
20.4 PCR Register	235
21. Flash Memory Version	247
21.1 Memory Map	248
21.1.1 Boot Mode	248
21.2 Functions to Prevent Flash Memory from Rewriting	249
21.2.1 ROM Code Protect Function	249
21.2.2 ID Code Check Function	249
21.3 CPU Rewrite Mode	251
21.3.1 EW0 Mode	252
21.3.2 EW1 Mode	252
21.3.3 Registers FMR0 and FMR1	253
21.3.4 Notes on CPU Rewrite Mode	258
21.3.5 Software Commands	260
21.3.6 Data Protect Function	265
21.3.7 Status Register (SRD Register)	265
21.3.8 Full Status Check	267
21.4 Standard Serial I/O Mode	269
21.4.1 ID Code Check Function	269
21.4.2 Example of Circuit Application in Standard Serial I/O Mode	273
21.5 Parallel I/O Mode	274
21.5.1 User ROM and Boot ROM Areas	274
21.5.2 ROM Code Protect Function	274
21.6 CAN I/O Mode	275
21.6.1 ID Code Check Function	275
21.6.2 Example of Circuit Application in CAN I/O Mode	278
21.7 Electrical Characteristics	279
21.7.1 Electrical Characteristics (T/V-ver.)	279
21.7.2 Electrical Characteristics (Normal-ver.)	280
22. Electrical Characteristics	281
22.1 Electrical Characteristics (T/V-ver.)	281
22.2 Electrical Characteristics (Normal-ver.)	302
23. Usage Notes	338
23.1 SFRs	338
23.2 External Bus	339
23.3 PLL Frequency Synthesizer	340
23.4 Power Control	341
23.5 Protection	343
23.6 Interrupts	344
23.6.1 Reading Address 00000h	344
23.6.2 Setting SP	344
23.6.3 NMI Interrupt	344
23.6.4 Changing Interrupt Source	345
23.6.5 INT Interrupt	345
23.6.6 Rewrite Interrupt Control Register	346
23.6.7 Watchdog Timer Interrupt	346

23.7 DMAC	347
23.7.1 Write to DMAE Bit in DMiCON Register	347
23.8 Timers	348
23.8.1 Timer A	348
23.8.2 Timer B	351
23.9 Serial Interface	353
23.9.1 Clock Synchronous Serial I/O Mode	353
23.9.2 Special Modes	354
23.9.3 SI/O3	355
23.10 A/D Converter	356
23.11 CAN Module	358
23.11.1 Reading C0STR Register	358
23.11.2 Performing CAN Configuration	360
23.11.3 Suggestions to Reduce Power Consumption	361
23.11.4 CAN Transceiver in Boot Mode	362
23.12 Programmable I/O Ports	363
23.13 Electrical Characteristic Differences between Mask ROM and Flash Memory Version MCUs	364
23.14 Mask ROM Version	365
23.15 Flash Memory Version	366
23.15.1 Functions to Prevent Flash Memory from Rewriting	366
23.15.2 Stop Mode	366
23.15.3 Wait Mode	366
23.15.4 Low Power Dissipation Mode and On-Chip Oscillator Low Power Dissipation Mode	366
23.15.5 Writing Command and Data	366
23.15.6 Program Command	366
23.15.7 Lock Bit Program Command	366
23.15.8 Operating Speed	366
23.15.9 Prohibited Instructions	367
23.15.10 Interrupts	367
23.15.11 How to Access	367
23.15.12 Rewriting in User ROM Area	367
23.15.13 DMA Transfer	367
23.16 Flash Memory Programming Using Boot Program	368
23.16.1 Programming Using Serial I/O Mode	368
23.16.2 Programming Using CAN I/O Mode	368
23.17 Noise	369
 Appendix 1. Package Dimensions	 370
 Register Index	 371

<p>Specifications written in this manual are believed to be accurate, but are not guaranteed to be entirely free of error. Specifications in this manual may be changed for functional or performance improvements. Please make sure your manual is the latest edition.</p>

SFR Page Reference

Address	Register	Symbol	Page
0000h			
0001h			
0002h			
0003h			
0004h	Processor Mode Register 0	PM0	31
0005h	Processor Mode Register 1	PM1	32
0006h	System Clock Control Register 0	CM0	48
0007h	System Clock Control Register 1	CM1	49
0008h	Chip Select Control Register	CSR	36
0009h	Address Match Interrupt Enable Register	AIER	87
000Ah	Protect Register	PRCR	69
000Bh			
000Ch	Oscillation Stop Detection Register	CM2	50
000Dh			
000Eh	Watchdog Timer Start Register	WDTS	89
000Fh	Watchdog Timer Control Register	WDC	89
0010h			
0011h	Address Match Interrupt Register 0	RMAD0	87
0012h			
0013h			
0014h			
0015h	Address Match Interrupt Register 1	RMAD1	87
0016h			
0017h			
0018h			
0019h			
001Ah			
001Bh	Chip Select Expansion Control Register	CSE	42
001Ch	PLL Control Register 0	PLC0	52
001Dh			
001Eh	Processor Mode Register 2	PM2	52
001Fh			
0020h			
0021h	DMA0 Source Pointer	SAR0	94
0022h			
0023h			
0024h			
0025h	DMA0 Destination Pointer	DAR0	94
0026h			
0027h			
0028h	DMA0 Transfer Counter	TCR0	94
0029h			
002Ah			
002Bh			
002Ch	DMA0 Control Register	DM0CON	93
002Dh			
002Eh			
002Fh			
0030h			
0031h	DMA1 Source Pointer	SAR1	94
0032h			
0033h			
0034h			
0035h	DMA1 Destination Pointer	DAR1	94
0036h			
0037h			
0038h	DMA1 Transfer Counter	TCR1	94
0039h			
003Ah			
003Bh			
003Ch	DMA1 Control Register	DM1CON	93
003Dh			
003Eh			
003Fh			

Blank spaces are reserved. No access is allowed.

Address	Register	Symbol	Page
0040h			
0041h	CAN0 Wake-up Interrupt Control Register	C01WKIC	75
0042h	CAN0 Successful Reception Interrupt Control Register	C0RECIC	75
0043h	CAN0 Successful Transmission Interrupt Control Register	C0TRMIC	75
0044h	INT3 Interrupt Control Register	INT3IC	76
0045h	Timer B5 Interrupt Control Register	TB5IC	75
0046h	Timer B4 Interrupt Control Register	TB4IC	75
	UART1 Bus Collision Detection Interrupt Control Register	U1BCNIC	75
0047h	Timer B3 Interrupt Control Register	TB3IC	75
	UART0 Bus Collision Detection Interrupt Control Register	U0BCNIC	75
0048h	INT5 Interrupt Control Register	INT5IC	76
0049h	SI/O3 Interrupt Control Register	S3IC	76
	INT4 Interrupt Control Register	INT4IC	76
004Ah	UART2 Bus Collision Detection Interrupt Control Register	U2BCNIC	75
004Bh	DMA0 Interrupt Control Register	DM0IC	75
004Ch	DMA1 Interrupt Control Register	DM1IC	75
004Dh	CAN0 Error Interrupt Control Register	C01ERRIC	75
004Eh	A/D Conversion Interrupt Control Register	ADIC	75
	Key Input Interrupt Control Register	KUPIC	75
004Fh	UART2 Transmit Interrupt Control Register	S2TIC	75
0050h	UART2 Receive Interrupt Control Register	S2RIC	75
0051h	UART0 Transmit Interrupt Control Register	S0TIC	75
0052h	UART0 Receive Interrupt Control Register	S0RIC	75
0053h	UART1 Transmit Interrupt Control Register	S1TIC	75
0054h	UART1 Receive Interrupt Control Register	S1RIC	75
0055h	Timer A0 Interrupt Control Register	TA0IC	75
0056h	Timer A1 Interrupt Control Register	TA1IC	75
0057h	Timer A2 Interrupt Control Register	TA2IC	75
0058h	Timer A3 Interrupt Control Register	TA3IC	75
0059h	Timer A4 Interrupt Control Register	TA4IC	75
005Ah	Timer B0 Interrupt Control Register	TB0IC	75
005Bh	Timer B1 Interrupt Control Register	TB1IC	75
005Ch	Timer B2 Interrupt Control Register	TB2IC	75
005Dh	INT0 Interrupt Control Register	INT0IC	76
005Eh	INT1 Interrupt Control Register	INT1IC	76
005Fh	INT2 Interrupt Control Register	INT2IC	76
0060h			
0061h	CAN0 Message Box 0: Identifier / DLC		
0062h			
0063h			
0064h			
0065h			
0066h	CAN0 Message Box 0: Data Field		
0067h			
0068h			
0069h			
006Ah			
006Bh	CAN0 Message Box 0: Time Stamp		211
006Ch			
006Dh			
006Eh			
006Fh			
0070h	CAN0 Message Box 1: Identifier / DLC		212
0071h			
0072h			
0073h			
0074h			
0075h	CAN0 Message Box 1: Data Field		
0076h			
0077h			
0078h			
0079h			
007Ah	CAN0 Message Box 1: Time Stamp		
007Bh			
007Ch			
007Dh			
007Eh			
007Fh			

Address	Register	Symbol	Page
0080h	CAN0 Message Box 2: Identifier / DLC		
0081h			
0082h			
0083h			
0084h			
0085h	CAN0 Message Box 2: Data Field		
0086h			
0087h			
0088h			
0089h			
008Ah			
008Bh			
008Ch			
008Dh			
008Eh	CAN0 Message Box 2: Time Stamp		
008Fh			
0090h	CAN0 Message Box 3: Identifier / DLC		
0091h			
0092h			
0093h			
0094h			
0095h			
0096h	CAN0 Message Box 3: Data Field		
0097h			
0098h			
0099h			
009Ah			
009Bh			
009Ch			
009Dh			
009Eh	CAN0 Message Box 3: Time Stamp		
009Fh			
00A0h	CAN0 Message Box 4: Identifier / DLC		
00A1h			
00A2h			
00A3h			
00A4h			
00A5h			
00A6h	CAN0 Message Box 4: Data Field		
00A7h			
00A8h			
00A9h			
00AAh			
00ABh			
00ACh			
00ADh			
00AEh	CAN0 Message Box 4: Time Stamp		
00AFh			
00B0h	CAN0 Message Box 5: Identifier / DLC		
00B1h			
00B2h			
00B3h			
00B4h			
00B5h			
00B6h	CAN0 Message Box 5: Data Field		
00B7h			
00B8h			
00B9h			
00BAh			
00BBh			
00BCh			
00BDh			
00BEh	CAN0 Message Box 5: Time Stamp		
00BFh			

211
212

Address	Register	Symbol	Page
00C0h	CAN0 Message Box 6: Identifier / DLC		
00C1h			
00C2h			
00C3h			
00C4h			
00C5h	CAN0 Message Box 6: Data Field		
00C6h			
00C7h			
00C8h			
00C9h			
00CAh			
00CBh			
00CCh			
00CDh			
00CEh	CAN0 Message Box 6: Time Stamp		
00CFh			
00D0h	CAN0 Message Box 7: Identifier / DLC		
00D1h			
00D2h			
00D3h			
00D4h			
00D5h			
00D6h	CAN0 Message Box 7: Data Field		
00D7h			
00D8h			
00D9h			
00DAh			
00DBh			
00DCh			
00DDh			
00DEh	CAN0 Message Box 7: Time Stamp		
00DFh			
00E0h	CAN0 Message Box 8: Identifier / DLC		
00E1h			
00E2h			
00E3h			
00E4h			
00E5h			
00E6h	CAN0 Message Box 8: Data Field		
00E7h			
00E8h			
00E9h			
00EAh			
00EBh			
00ECh			
00EDh			
00EEh	CAN0 Message Box 8: Time Stamp		
00EFh			
00F0h	CAN0 Message Box 9: Identifier / DLC		
00F1h			
00F2h			
00F3h			
00F4h			
00F5h			
00F6h	CAN0 Message Box 9: Data Field		
00F7h			
00F8h			
00F9h			
00FAh			
00FBh			
00FCh			
00FDh			
00FEh	CAN0 Message Box 9: Time Stamp		
00FFh			

211
212

Address	Register	Symbol	Page
0100h	CAN0 Message Box 10: Identifier / DLC		
0101h			
0102h			
0103h			
0104h			
0105h			
0106h	CAN0 Message Box 10: Data Field		
0107h			
0108h			
0109h			
010Ah			
010Bh			
010Ch			
010Dh			
010Eh	CAN0 Message Box 10: Time Stamp		
010Fh			
0110h	CAN0 Message Box 11: Identifier / DLC		
0111h			
0112h			
0113h			
0114h			
0115h			
0116h	CAN0 Message Box 11: Data Field		
0117h			
0118h			
0119h			
011Ah			
011Bh			
011Ch			
011Dh			
011Eh	CAN0 Message Box 11: Time Stamp		211
011Fh			
0120h	CAN0 Message Box 12: Identifier / DLC		212
0121h			
0122h			
0123h			
0124h			
0125h			
0126h	CAN0 Message Box 12: Data Field		
0127h			
0128h			
0129h			
012Ah			
012Bh			
012Ch			
012Dh			
012Eh	CAN0 Message Box 12: Time Stamp		
012Fh			
0130h	CAN0 Message Box 13: Identifier / DLC		
0131h			
0132h			
0133h			
0134h			
0135h			
0136h	CAN0 Message Box 13: Data Field		
0137h			
0138h			
0139h			
013Ah			
013Bh			
013Ch			
013Dh			
013Eh	CAN0 Message Box 13: Time Stamp		
013Fh			

Address	Register	Symbol	Page
0140h	CAN0 Message Box 14: Identifier /DLC		
0141h			
0142h			
0143h			
0144h			
0145h			
0146h	CAN0 Message Box 14: Data Field		
0147h			
0148h			
0149h			
014Ah			
014Bh			
014Ch			
014Dh			
014Eh	CAN0 Message Box 14: Time Stamp		211
014Fh			
0150h	CAN0 Message Box 15: Identifier /DLC		212
0151h			
0152h			
0153h			
0154h			
0155h			
0156h	CAN0 Message Box 15: Data Field		
0157h			
0158h			
0159h			
015Ah			
015Bh			
015Ch			
015Dh			
015Eh	CAN0 Message Box 15: Time Stamp		
015Fh			
0160h	CAN0 Global Mask Register		213
0161h			
0162h			
0163h			
0164h			
0165h			
0166h	CAN0 Local Mask A Register		213
0167h			
0168h			
0169h			
016Ah			
016Bh			
016Ch	CAN0 Local Mask B Register		213
016Dh			
016Eh			
016Fh			
0170h			
0171h			
0172h			
0173h			
0174h			
0175h			
0176h			
0177h			
0178h			
0179h			
017Ah			
017Bh			
017Ch			
017Dh			
017Eh			
017Fh			

Blank spaces are reserved. No access is allowed.

Address	Register	Symbol	Page
0180h			
0181h			
0182h			
0183h			
0184h			
0185h			
0186h			
0187h			
0188h			
0189h			
018Ah			
018Bh			
018Ch			
018Dh			
018Eh			
018Fh			
0190h			
0191h			
0192h			
0193h			
0194h			
0195h			
0196h			
0197h			
0198h			
0199h			
019Ah			
019Bh			
019Ch			
019Dh			
019Eh			
019Fh			
01A0h			
01A1h			
01A2h			
01A3h			
01A4h			
01A5h			
01A6h			
01A7h			
01A8h			
01A9h			
01AAh			
01ABh			
01ACh			
01ADh			
01AEh			
01AFh			
01B0h			
01B1h			
01B2h			
01B3h			
01B4h			
01B5h	Flash Memory Control Register 1	FMR1	253
01B6h			
01B7h	Flash Memory Control Register 0	FMR0	253
01B8h			
01B9h	Address Match Interrupt Register 2	RMAD2	87
01BAh			
01BBh	Address Match Interrupt Enable Register 2	AIER2	87
01BCh			
01BDh	Address Match Interrupt Register 3	RMAD3	87
01BEh			
01BFh			

Address	Register	Symbol	Page
01C0h	Timer B3, B4, B5 Count Start Flag	TBSR	119
01C1h			
01C2h			
01C3h	Timer A1-1 Register	TA11	130
01C4h			
01C5h	Timer A2-1 Register	TA21	130
01C6h			
01C7h	Timer A4-1 Register	TA41	130
01C8h	Three-Phase PWM Control Register 0	INVC0	127
01C9h	Three-Phase PWM Control Register 1	INVC1	128
01CAh	Three-Phase Output Buffer Register 0	IDB0	129
01CBh	Three-Phase Output Buffer Register 1	IDB1	129
01CCh	Dead Time Timer	DTT	129
01CDh	Timer B2 Interrupt Generation Frequency Set Counter	ICTB2	131
01CEh			
01CFh			
01D0h			
01D1h	Timer B3 Register	TB3	118
01D2h			
01D3h	Timer B4 Register	TB4	118
01D4h			
01D5h	Timer B5 Register	TB5	118
01D6h			
01D7h			
01D8h			
01D9h			
01DAh			
01DBh	Timer B3 Mode Register	TB3MR	118
01DCh	Timer B4 Mode Register	TB4MR	120
01DDh	Timer B5 Mode Register	TB5MR	121
01DEh	Interrupt Source Select Register 0	IFSR0	123
01DFh	Interrupt Source Select Register 1	IFSR1	84
01E0h	SI/O3 Transmit/Receive Register	S3TRR	84
01E1h			
01E2h	SI/O3 Control Register	S3C	184
01E3h	SI/O3 Bit Rate Register	S3BRG	184
01E4h			
01E5h			
01E6h			
01E7h			
01E8h			
01E9h			
01EAh			
01EBh			
01ECh	UART0 Special Mode Register 4	U0SMR4	145
01EDh	UART0 Special Mode Register 3	U0SMR3	144
01EEh	UART0 Special Mode Register 2	U0SMR2	144
01EFh	UART0 Special Mode Register	U0SMR	143
01F0h	UART1 Special Mode Register 4	U1SMR4	145
01F1h	UART1 Special Mode Register 3	U1SMR3	144
01F2h	UART1 Special Mode Register 2	U1SMR2	144
01F3h	UART1 Special Mode Register	U1SMR	143
01F4h	UART2 Special Mode Register 4	U2SMR4	145
01F5h	UART2 Special Mode Register 3	U2SMR3	144
01F6h	UART2 Special Mode Register 2	U2SMR2	144
01F7h	UART2 Special Mode Register	U2SMR	143
01F8h	UART2 Transmit/Receive Mode Register	U2MR	141
01F9h	UART2 Bit Rate Register	U2BRG	140
01FAh			
01FBh	UART2 Transmit Buffer Register	U2TB	140
01FCh	UART2 Transmit/Receive Control Register 0	U2C0	141
01FDh	UART2 Transmit/Receive Control Register 1	U2C1	142
01FEh			
01FFh	UART2 Receive Buffer Register	U2RB	140

Blank spaces are reserved. No access is allowed.

Address	Register	Symbol	Page
0200h	CAN0 Message Control Register 0	C0MCTL0	214
0201h	CAN0 Message Control Register 1	C0MCTL1	
0202h	CAN0 Message Control Register 2	C0MCTL2	
0203h	CAN0 Message Control Register 3	C0MCTL3	
0204h	CAN0 Message Control Register 4	C0MCTL4	
0205h	CAN0 Message Control Register 5	C0MCTL5	
0206h	CAN0 Message Control Register 6	C0MCTL6	
0207h	CAN0 Message Control Register 7	C0MCTL7	
0208h	CAN0 Message Control Register 8	C0MCTL8	
0209h	CAN0 Message Control Register 9	C0MCTL9	
020Ah	CAN0 Message Control Register 10	C0MCTL10	
020Bh	CAN0 Message Control Register 11	C0MCTL11	
020Ch	CAN0 Message Control Register 12	C0MCTL12	
020Dh	CAN0 Message Control Register 13	C0MCTL13	
020Eh	CAN0 Message Control Register 14	C0MCTL14	
020Fh	CAN0 Message Control Register 15	C0MCTL15	
0210h	CAN0 Control Register	C0CTLR	215
0211h			
0212h	CAN0 Status Register	C0STR	217
0213h			
0214h	CAN0 Slot Status Register	C0SSTR	218
0215h			
0216h	CAN0 Interrupt Control Register	C0ICR	218
0217h			
0218h	CAN0 Extended ID Register	C0IDR	218
0219h			
021Ah	CAN0 Configuration Register	C0CONR	219
021Bh			
021Ch	CAN0 Receive Error Count Register	C0RECR	220
021Dh	CAN0 Transmit Error Count Register	C0TECR	220
021Eh	CAN0 Time Stamp Register	C0TSR	220
021Fh			
0220h			
0221h			
0222h			
0223h			
0224h			
0225h			
0226h			
0227h			
0228h			
0229h			
022Ah			
022Bh			
022Ch			
022Dh			
022Eh			
022Fh			
0230h	CAN1 Control Register	C1CTLR	216
0231h			
0232h			
0233h			
0234h			
0235h			
0236h			
0237h			
0238h			
0239h			
023Ah			
023Bh			
023Ch			
023Dh			
023Eh			
023Fh			

Address	Register	Symbol	Page			
0240h						
0241h						
0242h	CAN0 Acceptance Filter Support Register	C0AFS	220			
0243h						
0244h						
0245h						
0246h						
0247h						
0248h						
0249h						
024Ah						
024Bh						
024Ch						
024Dh						
024Eh						
024Fh						
0250h						
0251h						
0252h						
0253h						
0254h						
0255h						
0256h						
0257h						
0258h						
0259h						
025Ah						
025Bh						
025Ch						
025Dh						
025Eh	Peripheral Clock Select Register	PCLKR	51			
025Fh	CAN0 Clock Select Register	CCLKR	51			
0260h						
0261h						
0262h						
0263h						
0264h						
0265h						
0266h						
0267h						
0268h						
0269h						
026Ah						
026Bh						
026Ch						
026Dh						
026Eh						
026Fh						
0270h	to 0372h					
0372h						
0373h						
0374h						
0375h						
0376h						
0377h						
0378h						
0379h						
037Ah						
037Bh						
037Ch						
037Dh						
037Eh						
037Fh						

Blank spaces are reserved. No access is allowed.

Address	Register	Symbol	Page
0380h	Count Start Flag	TABSR	104,119,132
0381h	Clock Prescaler Reset Flag	CPSRF	105,119
0382h	One-Shot Start Flag	ONSF	105
0383h	Trigger Select Register	TRGSR	105,132
0384h	Up/Down Flag	UDF	104
0385h			
0386h	Timer A0 Register	TA0	13
0387h			
0388h	Timer A1 Register	TA1	103
0389h			130
038Ah	Timer A2 Register	TA2	103
038Bh			130
038Ch	Timer A3 Register	TA3	103
038Dh			
038Eh	Timer A4 Register	TA4	103
038Fh			130
0390h	Timer B0 Register	TB0	118
0391h			
0392h	Timer B1 Register	TB1	118
0393h			
0394h	Timer B2 Register	TB2	118
0395h			130
0396h	Timer A0 Mode Register	TA0MR	103
0397h	Timer A1 Mode Register	TA1MR	106 133
0398h	Timer A2 Mode Register	TA2MR	108 110,133
0399h	Timer A3 Mode Register	TA3MR	113 110
039Ah	Timer A4 Mode Register	TA4MR	115 110,133
039Bh	Timer B0 Mode Register	TB0MR	118,120
039Ch	Timer B1 Mode Register	TB1MR	121,123
039Dh	Timer B2 Mode Register	TB2MR	133
039Eh	Timer B2 Special Mode Register	TB2SC	131
039Fh			
03A0h	UART0 Transmit/Receive Mode Register	U0MR	141
03A1h	UART0 Bit Rate Register	U0BRG	140
03A2h	UART0 Transmit Buffer Register	U0TB	140
03A3h			
03A4h	UART0 Transmit/Receive Control Register 0	U0C0	141
03A5h	UART0 Transmit/Receive Control Register 1	U0C1	142
03A6h	UART0 Receive Buffer Register	U0RB	140
03A7h			
03A8h	UART1 Transmit/Receive Mode Register	U1MR	141
03A9h	UART1 Bit Rate Register	U1BRG	140
03AAh	UART1 Transmit Buffer Register	U1TB	140
03ABh			
03ACh	UART1 Transmit/Receive Control Register 0	U1C0	141
03ADh	UART1 Transmit/Receive Control Register 1	U1C1	142
03AEh	UART1 Receive Buffer Register	U1RB	140
03AFh			
03B0h	UART Transmit/Receive Control Register 2	UCON	143
03B1h			
03B2h			
03B3h			
03B4h			
03B5h			
03B6h			
03B7h			
03B8h	DMA0 Request Source Select Register	DM0SL	92
03B9h			
03BAh	DMA1 Request Source Select Register	DM1SL	93
03BBh			
03BCh	CRC Data Register	CRCD	207
03BDh			
03BEh	CRC Input Register	CRCIN	207
03BFh			

Address	Register	Symbol	Page
03C0h	A/D Register 0	AD0	191
03C1h			
03C2h	A/D Register 1	AD1	
03C3h			
03C4h	A/D Register 2	AD2	
03C5h			
03C6h	A/D Register 3	AD3	
03C7h			
03C8h	A/D Register 4	AD4	
03C9h			
03CAh	A/D Register 5	AD5	
03CBh			
03CCh	A/D Register 6	AD6	
03CDh			
03CEh	A/D Register 7	AD7	
03CFh			
03D0h			
03D1h			
03D2h			
03D3h			
03D4h	A/D Control Register 2	ADCON2	191
03D5h			
03D6h	A/D Control Register 0	ADCON0	190,193,195
03D7h	A/D Control Register 1	ADCON1	197,199,201
03D8h	D/A Register 0	DA0	206
03D9h			
03DAh	D/A Register 1	DA1	206
03DBh			
03DCh	D/A Control Register	DACON	206
03DDh			
03DEh			
03DFh			
03E0h	Port P0 Register	P0	242
03E1h	Port P1 Register	P1	242
03E2h	Port P0 Direction Register	PD0	241
03E3h	Port P1 Direction Register	PD1	241
03E4h	Port P2 Register	P2	242
03E5h	Port P3 Register	P3	242
03E6h	Port P2 Direction Register	PD2	241
03E7h	Port P3 Direction Register	PD3	241
03E8h	Port P4 Register	P4	242
03E9h	Port P5 Register	P5	242
03EAh	Port P4 Direction Register	PD4	241
03EBh	Port P5 Direction Register	PD5	241
03ECh	Port P6 Register	P6	242
03EDh	Port P7 Register	P7	242
03EEh	Port P6 Direction Register	PD6	241
03EFh	Port P7 Direction Register	PD7	241
03F0h	Port P8 Register	P8	242
03F1h	Port P9 Register	P9	242
03F2h	Port P8 Direction Register	PD8	241
03F3h	Port P9 Direction Register	PD9	241
03F4h	Port P10 Register	P10	242
03F5h			
03F6h	Port P10 Direction Register	PD10	241
03F7h			
03F8h			
03F9h			
03FAh			
03FBh			
03FCh	Pull-up Control Register 0	PUR0	243
03FDh	Pull-up Control Register 1	PUR1	243
03FEh	Pull-up Control Register 2	PUR2	243
03FFh	Port Control Register	PCR	244

Blank spaces are reserved. No access is allowed.

M16C/6N Group (M16C/6N5)

Renesas MCU

1. Overview

The M16C/6N Group (M16C/6N5) of MCUs are built using the high-performance silicon gate CMOS process using the M16C/60 Series CPU core and are packaged in 100-pin plastic molded QFP and LQFP. These MCUs operate using sophisticated instructions featuring a high level of instruction efficiency. With 1 Mbyte of address space, they are capable of executing instructions at high speed. Being equipped with one CAN (Controller Area Network) module in the M16C/6N Group (M16C/6N5), the MCU is suited to drive automotive and industrial control systems. The CAN module complies with the 2.0B specification. In addition, this MCU contains a multiplier and DMAC which combined with fast instruction processing capability, makes it suitable for control of various OA, communication, and industrial equipment which requires high-speed arithmetic/logic operations.

1.1 Applications

- Automotive, industrial control systems and other automobile, other (T/V-ver. product)
- Car audio and industrial control systems, other (Normal-ver. product)

1.2 Performance Overview

Table 1.1 lists the Functions and Specifications for M16C/6N Group (M16C/6N5).

Table 1.1 Functions and Specifications for M16C/6N Group (M16C/6N5)

Item		Specification		
		Normal-ver.	T/V-ver.	
CPU	Number of fundamental instructions	91 instructions		
	Minimum instruction execution time	41.7 ns (f(BCLK) = 24 MHz, 1/1 prescaler, without software wait)	50.0 ns (f(BCLK) = 20 MHz, 1/1 prescaler, without software wait)	
	Operating mode	Single-chip, memory expansion, and microprocessor modes		
	Address space	1 Mbyte		
	Memory capacity	Refer to Table 1.2 Product Information		
Peripheral Function	Ports	Input/Output: 87 pins, Input: 1 pin		
	Multifunction timers	Timer A: 16 bits × 5 channels Timer B: 16 bits × 6 channels Three-phase motor control circuit		
	Serial interfaces	3 channels Clock synchronous, UART, I ² C-bus ⁽¹⁾ , IEBus ⁽²⁾ 1 channel Clock synchronous		
	A/D converter	10-bit A/D converter: 1 circuit, 26 channels		
	D/A converter	8 bits × 2 channels		
	DMAC	2 channels		
	CRC calculation circuit	CRC-CCITT		
	CAN module	1 channel with 2.0B specification		
	Watchdog timer	15 bits × 1 channel (with prescaler)		
	Interrupts	Internal: 29 sources, External: 9 sources Software: 4 sources, Priority levels: 7 levels		
	Clock generation circuits	4 circuits • Main clock oscillation circuit (*) • Sub clock oscillation circuit (*) • On-chip oscillator • PLL frequency synthesizer (*) Equipped with on-chip feedback resistor		
	Oscillation-stopped detector	Main clock oscillation stop and re-oscillation detection function		
	Electrical Characteristics	Supply voltage	VCC = 3.0 to 5.5 V (f(BCLK) = 24 MHz, 1/1 prescaler, without software wait)	VCC = 4.2 to 5.5 V (f(BCLK) = 20 MHz, 1/1 prescaler, without software wait)
Consumption current		Mask ROM	18 mA (f(BCLK) = 24 MHz, PLL operation, no division)	16 mA (f(BCLK) = 20 MHz, PLL operation, no division)
		Flash memory	20 mA (f(BCLK) = 24 MHz, PLL operation, no division)	18 mA (f(BCLK) = 20 MHz, PLL operation, no division)
		Mask ROM Flash memory	3 μA (f(BCLK) = 32 kHz, Wait mode, Oscillation capacity Low) 0.8 μA (Stop mode, Topr = 25°C)	
Flash Memory Version	Programming and erasure voltage	3.0 ± 0.3 V or 5.0 ± 0.5 V	5.0 ± 0.5 V	
	Programming and erasure endurance	100 times		
I/O Characteristics	I/O withstand voltage	5.0 V		
	Output current	5 mA		
Operating Ambient Temperature	-40 to 85°C	T version: -40 to 85°C V version: -40 to 125°C (option)		
Device Configuration	CMOS high-performance silicon gate			
Package	100-pin molded-plastic QFP, LQFP			

NOTES:

1. I²C-bus is a trademark of Koninklijke Philips Electronics N.V.
2. IEBus is a trademark of NEC Electronics Corporation.

option: All options are on request basis.

1.3 Block Diagram

Figure 1.1 shows a Block Diagram.

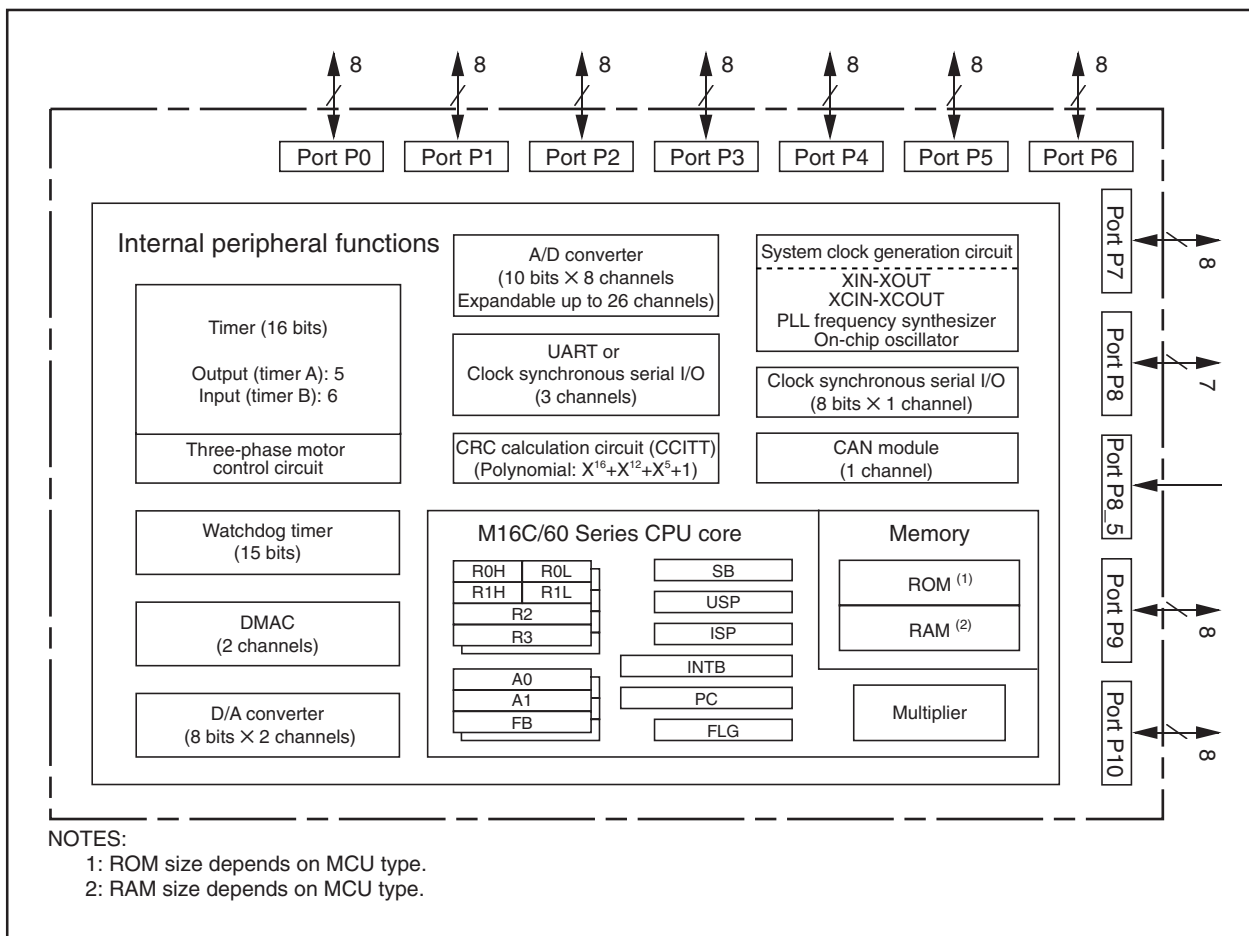


Figure 1.1 Block Diagram

1.4 Product Information

Table 1.2 lists the Product Information and Figure 1.2 shows the Type Number, Memory Size, and Packages.

Table 1.2 Product Information

As of Apr. 2006

Type No.	ROM Capacity	RAM Capacity	Package Type ⁽²⁾	Remarks	
M306N5FCFP	128 K + 4 Kbytes	5 Kbytes	PRQP0100JB-A	Flash memory version ⁽¹⁾	Normal-ver.
M306N5FCGP			PLQP0100KB-A		
M306N5FCTFP			PRQP0100JB-A		T-ver.
M306N5FCTGP			PLQP0100KB-A		
M306N5FCVFP			PRQP0100JB-A		V-ver.
M306N5FCVGP			PLQP0100KB-A		
M306N5MC-XXXGP	128 Kbytes	5 Kbytes	PLQP0100KB-A	Mask ROM version	Normal-ver.
M306N5MCT-XXXFP			PRQP0100JB-A		
M306N5MCT-XXXGP			PLQP0100KB-A		T-ver.
M306N5MCV-XXXFP			PRQP0100JB-A		
M306N5MCV-XXXGP			PLQP0100KB-A		

NOTES:

- Data flash memory provides an additional 4 Kbytes of ROM capacity (block A).
- The correspondence between new and old package types is as follows.

PRQP0100JB-A: 100P6S-A

PLQP0100KB-A: 100P6Q-A

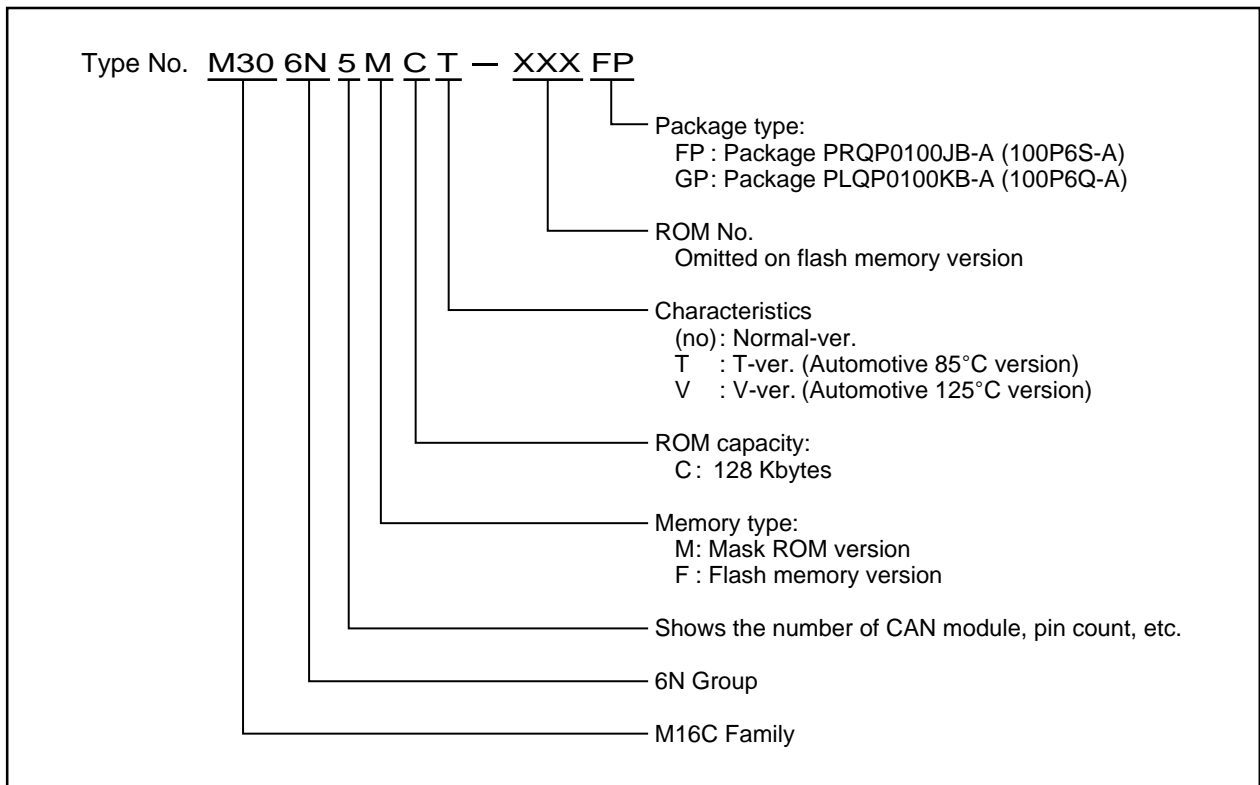


Figure 1.2 Type Number, Memory Size, and Package

1.5 Pin Assignments

Figures 1.3 and 1.4 show the Pin Assignment (Top View). Tables 1.3 and 1.4 list the List of Pin Names.

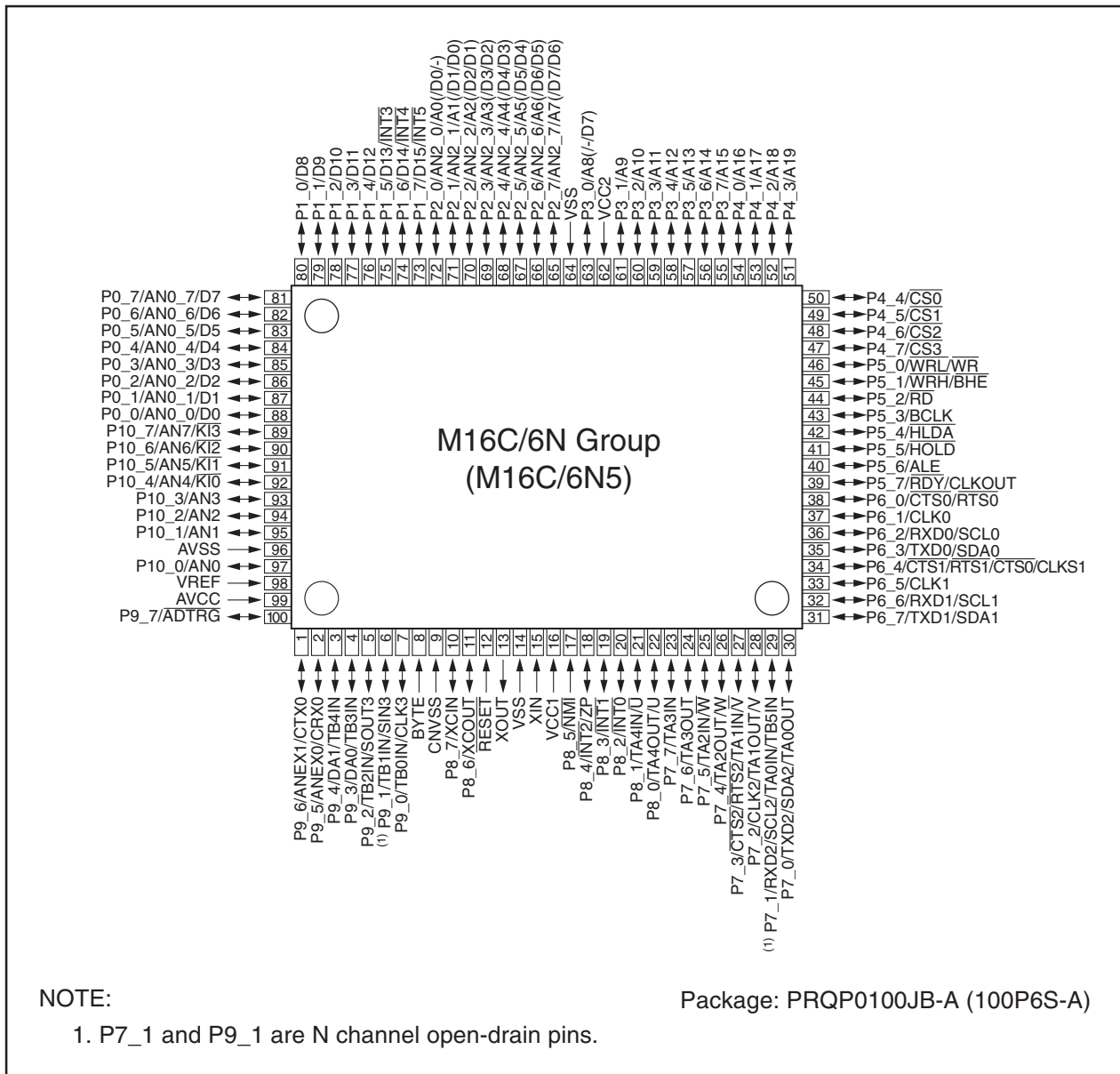


Figure 1.3 Pin Assignments (Top View) (1)

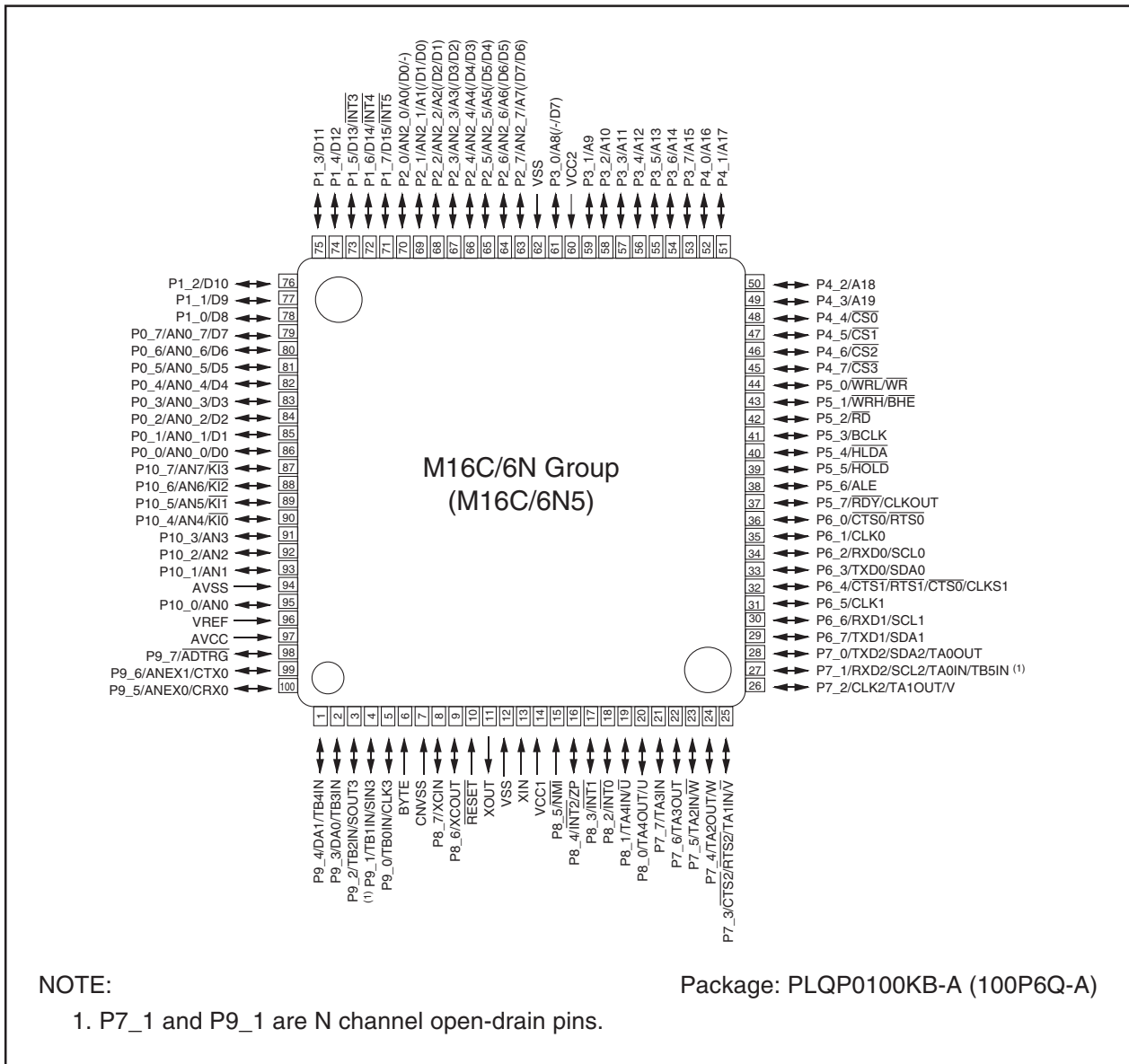


Figure 1.4 Pin Assignments (Top View) (2)

Table 1.3 List of Pin Names (1)

Pin No.	Control Pin	Port	Interrupt Pin	Timer Pin	UART Pin	Analog Pin	CAN Module Pin	Bus Control Pin
FP	GP							
1	99		P9_6			ANEX1	CTX0	
2	100		P9_5			ANEX0	CRX0	
3	1		P9_4	TB4IN		DA1		
4	2		P9_3	TB3IN		DA0		
5	3		P9_2	TB2IN	SOUT3			
6	4		P9_1	TB1IN	SIN3			
7	5		P9_0	TB0IN	CLK3			
8	6	BYTE						
9	7	CNVSS						
10	8	XCIN	P8_7					
11	9	XCOUT	P8_6					
12	10	RESET						
13	11	XOUT						
14	12	VSS						
15	13	XIN						
16	14	VCC1						
17	15		P8_5	NMI				
18	16		P8_4	INT2	ZP			
19	17		P8_3	INT1				
20	18		P8_2	INT0				
21	19		P8_1	TA4IN/ \bar{U}				
22	20		P8_0	TA4OUT/ \bar{U}				
23	21		P7_7	TA3IN				
24	22		P7_6	TA3OUT				
25	23		P7_5	TA2IN/ \bar{W}				
26	24		P7_4	TA2OUT/ \bar{W}				
27	25		P7_3	TA1IN/ \bar{V}	CTS2/RTS2			
28	26		P7_2	TA1OUT/ \bar{V}	CLK2			
29	27		P7_1	TA0IN/TB5IN	RXD2/SCL2			
30	28		P7_0	TA0OUT	TXD2/SDA2			
31	29		P6_7		TXD1/SDA1			
32	30		P6_6		RXD1/SCL1			
33	31		P6_5		CLK1			
34	32		P6_4		CTS1/RTS1/CTS0/CLKS1			
35	33		P6_3		TXD0/SDA0			
36	34		P6_2		RXD0/SCL0			
37	35		P6_1		CLK0			
38	36		P6_0		CTS0/RTS0			
39	37		P5_7					\bar{RDY} /CLKOUT
40	38		P5_6					ALE
41	39		P5_5					HOLD
42	40		P5_4					HLDA
43	41		P5_3					BCLK
44	42		P5_2					\bar{RD}
45	43		P5_1					WRH/BHE
46	44		P5_0					WRL/WR
47	45		P4_7					CS3
48	46		P4_6					CS2
49	47		P4_5					CS1
50	48		P4_4					CS0

FP: PRQP0100JB-A (100P6S-A), GP: PLQP0100KB-A (100P6Q-A)

Table 1.4 List of Pin Names (2)

Pin No.		Control Pin	Port	Interrupt Pin	Timer Pin	UART Pin	Analog Pin	CAN Module Pin	Bus Control Pin
FP	GP								
51	49		P4_3						A19
52	50		P4_2						A18
53	51		P4_1						A17
54	52		P4_0						A16
55	53		P3_7						A15
56	54		P3_6						A14
57	55		P3_5						A13
58	56		P3_4						A12
59	57		P3_3						A11
60	58		P3_2						A10
61	59		P3_1						A9
62	60	VCC2							
63	61		P3_0						A8(/-/D7)
64	62	VSS							
65	63		P2_7				AN2_7		A7(/D7/D6)
66	64		P2_6				AN2_6		A6(/D6/D5)
67	65		P2_5				AN2_5		A5(/D5/D4)
68	66		P2_4				AN2_4		A4(/D4/D3)
69	67		P2_3				AN2_3		A3(/D3/D2)
70	68		P2_2				AN2_2		A2(/D2/D1)
71	69		P2_1				AN2_1		A1(/D1/D0)
72	70		P2_0				AN2_0		A0(/D0/-)
73	71		P1_7	INT5					D15
74	72		P1_6	INT4					D14
75	73		P1_5	INT3					D13
76	74		P1_4						D12
77	75		P1_3						D11
78	76		P1_2						D10
79	77		P1_1						D9
80	78		P1_0						D8
81	79		P0_7				AN0_7		D7
82	80		P0_6				AN0_6		D6
83	81		P0_5				AN0_5		D5
84	82		P0_4				AN0_4		D4
85	83		P0_3				AN0_3		D3
86	84		P0_2				AN0_2		D2
87	85		P0_1				AN0_1		D1
88	86		P0_0				AN0_0		D0
89	87		P10_7	KI3			AN7		
90	88		P10_6	KI2			AN6		
91	89		P10_5	KI1			AN5		
92	90		P10_4	KI0			AN4		
93	91		P10_3				AN3		
94	92		P10_2				AN2		
95	93		P10_1				AN1		
96	94	AVSS							
97	95		P10_0				AN0		
98	96	VREF							
99	97	AVCC							
100	98		P9_7				ADTRG		

FP: PRQP0100JB-A (100P6S-A), GP: PLQP0100KB-A (100P6Q-A)

1.6 Pin Functions

Tables 1.5 to 1.7 list the Pin Functions.

Table 1.5 Pin Functions (1)

Signal Name	Pin Name	I/O Type	Description
Power supply input	VCC1, VCC2, VSS	I	Apply 4.2 to 5.5 V (T/V-ver.), 3.0 to 5.5 V (Normal-ver.) to the VCC1 and VCC2 pins and 0 V to the VSS pin. The VCC apply condition is that VCC2 = VCC1 ⁽¹⁾ .
Analog power supply input	AVCC, AVSS	I	Applies the power supply for the A/D converter. Connect the AVCC pin to VCC1. Connect the AVSS pin to VSS.
Reset input	RESET	I	The MCU is in a reset state when applying "L" to the this pin.
CNVSS	CNVSS	I	Switches processor mode. Connect this pin to VSS to when after a reset to start up in single-chip mode. Connect this pin to VCC1 to start up in microprocessor mode.
External data bus width select input	BYTE	I	Switches the data bus in external memory space. The data bus is 16-bit long when the this pin is held "L" and 8-bit long when the this pin is held "H". Set it to either one. Connect this pin to VSS when single-chip mode.
Bus control pins	D0 to D7	I/O	Inputs and outputs data (D0 to D7) when these pins are set as the separate bus.
	D8 to D15	I/O	Inputs and outputs data (D8 to D15) when external 16-bit data bus is set as the separate bus.
	A0 to A19	O	Output address bits (A0 to A19).
	A0/D0 to A7/D7	I/O	Input and output data (D0 to D7) and output address bits (A0 to A7) by time-sharing when external 8-bit data bus are set as the multiplexed bus.
	A1/D0 to A8/D7	I/O	Input and output data (D0 to D7) and output address bits (A1 to A8) by time-sharing when external 16-bit data bus are set as the multiplexed bus.
	CS0 to CS3	O	Output CS0 to CS3 signals. CS0 to CS3 are chip-select signals to specify an external space.
	WRL/WR WRH/BHE RD	O	Output WRL, WRH, (WR, BHE), RD signals. WRL and WRH or BHE, and WR can be switched by program. <ul style="list-style-type: none"> • WRL, WRH, and RD are selected The WRL signal becomes "L" by writing data to an even address in an external memory space. The WRH signal becomes "L" by writing data to an odd address in an external memory space. The RD pin signal becomes "L" by reading data in an external memory space. • WR, BHE, and RD are selected The WR signal becomes "L" by writing data in an external memory space. The RD signal becomes "L" by reading data in an external memory space. The BHE signal becomes "L" by accessing an odd address. Select WR, BHE, and RD for an external 8-bit data bus.
	ALE	O	ALE is a signal to latch the address.
	HOLD	I	While the HOLD pin is held "L", the MCU is placed in a hold state.
	HLDA	O	In a hold state, HLDA outputs a "L" signal.
RDY	I	While applying a "L" signal to the RDY pin, the MCU is placed in a wait state.	

I: Input O: Output I/O: Input/Output

NOTE:

1. In this manual, hereafter, VCC refers to VCC1 unless otherwise noted.

Table 1.6 Pin Functions (2)

Signal Name	Pin Name	I/O Type	Description
Main clock input	XIN	I	I/O pins for the main clock oscillation circuit. Connect a ceramic resonator or crystal oscillator between XIN and XOUT ⁽¹⁾ .
Main clock output	XOUT	O	To use the external clock, input the clock from XIN and leave XOUT open.
Sub clock input	XCIN	I	I/O pins for a sub clock oscillation circuit. Connect a crystal oscillator between XCIN and XCOU ⁽¹⁾ .
Sub clock output	XCOU	O	To use the external clock, input the clock from XCIN and leave XCOU open.
BCLK output	BCLK	O	Outputs the BCLK signal.
Clock output	CLKOUT	O	The clock of the same cycle as fC, f8, or f32 is output.
INT interrupt input	INT0 to INT5	I	Input pins for the INT interrupt.
NMI interrupt input	NMI	I	Input pin for the NMI interrupt.
Key input interrupt input	KI0 to KI3	I	Input pins for the key input interrupt.
Timer A	TA0OUT to TA4OUT	I/O	These are timer A0 to timer A4 I/O pins.
	TA0IN to TA4IN	I	These are timer A0 to timer A4 input pins.
	ZP	I	Input pin for the Z-phase.
Timer B	TB0IN to TB5IN	I	These are timer B0 to timer B5 input pins.
Three-phase motor control output	U, U, V, V, W, W	O	These are Three-phase motor control output pins.
Serial interface	CTS0 to CTS2	I	These are transmit control input pins.
	RTS0 to RTS2	O	These are receive control output pins.
	CLK0 to CLK3	I/O	These are transfer clock I/O pins.
	RXD0 to RXD2	I	These are serial data input pins.
	SIN3	I	These are serial data input pins.
	TXD0 to TXD2	O	These are serial data output pins.
	SOUT3	O	These are serial data output pins.
	CLKS1	O	This is output pin for transfer clock output from multiple pins function.
I ² C mode	SDA0 to SDA2	I/O	These are serial data I/O pins.
	SCL0 to SCL2	I/O	These are transfer clock I/O pins. (however, SCL2 for the N-channel open drain output.)
Reference voltage input	VREF	I	Applies the reference voltage for the A/D converter and D/A converter.
A/D converter	AN0 to AN7 AN0_0 to AN0_7 AN2_0 to AN2_7	I	Analog input pins for the A/D converter.
	ADTRG	I	This is an A/D trigger input pin.
	ANEX0	I/O	This is the extended analog input pin for the A/D converter, and is the output in external op-amp connection mode.
	ANEX1	I	This is the extended analog input pin for the A/D converter.
D/A converter	DA0, DA1	O	These are the output pins for the D/A converter.
CAN module	CRX0	I	This is the input pin for the CAN module.
	CTX0	O	This is the output pin for the CAN module.

I: Input O: Output I/O: Input/Output

NOTE:

1. Ask the oscillator maker the oscillation characteristic.

Table 1.7 Pin Functions (3)

Signal Name	Pin Name	I/O Type	Description
I/O port	P0_0 to P0_7 P1_0 to P1_7 P2_0 to P2_7 P3_0 to P3_7 P4_0 to P4_7 P5_0 to P5_7 P6_0 to P6_7 P7_0 to P7_7 P8_0 to P8_4 P8_6, P8_7 P9_0 to P9_7 P10_0 to P10_7	I/O	8-bit I/O ports in CMOS, having a direction register to select an input or output. Each pin is set as an input port or output port. An input port can be set for a pull-up or for no pull-up in 4-bit unit by program. (however, P7_1 and P9_1 for the N-channel open drain output.)
Input port	P8_5	I	Input pin for the NMI interrupt. Pin states can be read by the P8_5 bit in the P8 register.

I: Input O: Output I/O: Input/Output

2. Central Processing Unit (CPU)

Figure 2.1 shows the CPU Registers. The CPU has 13 registers. Of these, R0, R1, R2, R3, A0, A1, and FB configure a register bank. There are two register banks.

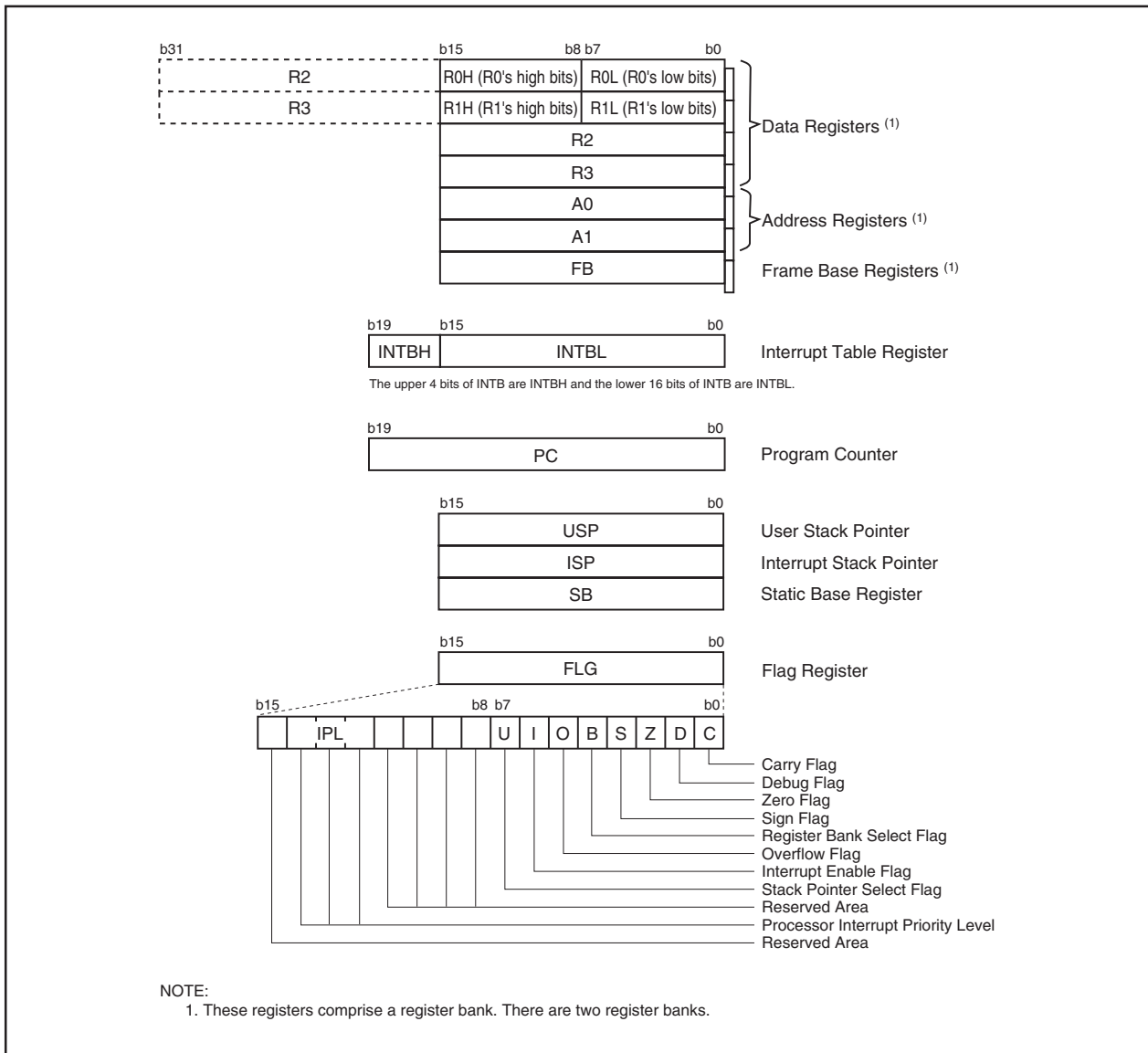


Figure 2.1 CPU Registers

2.1 Data Registers (R0, R1, R2, and R3)

The R0 register consists of 16 bits, and is used mainly for transfers and arithmetic/logic operations. R1 to R3 are the same as R0.

The R0 register can be separated between high (R0H) and low (R0L) for use as two 8-bit data registers. R1H and R1L are the same as R0H and R0L. Conversely R2 and R0 can be combined for use as a 32-bit data register (R2R0). R3R1 is analogous to R2R0.

2.2 Address Registers (A0 and A1)

The A0 register consists of 16 bits, and is used for address register indirect addressing and address register relative addressing. They also are used for transfers and arithmetic/logic operations. A1 is the same as A0.

In some instructions, A1 and A0 can be combined for use as a 32-bit address register (A1A0).

2.3 Frame Base Register (FB)

FB is configured with 16 bits, and is used for FB relative addressing.

2.4 Interrupt Table Register (INTB)

INTB is configured with 20 bits, indicating the start address of an interrupt vector table.

2.5 Program Counter (PC)

PC is configured with 20 bits, indicating the address of an instruction to be executed.

2.6 User Stack Pointer (USP), Interrupt Stack Pointer (ISP)

Stack pointer (SP) comes in two types: USP and ISP, each configured with 16 bits. Your desired type of stack pointer (USP or ISP) can be selected by the U flag of FLG.

2.7 Static Base Register (SB)

SB is configured with 16 bits, and is used for SB relative addressing.

2.8 Flag Register (FLG)

FLG consists of 11 bits, indicating the CPU status.

2.8.1 Carry Flag (C Flag)

This flag retains a carry, borrow, or shift-out bit that has occurred in the arithmetic/logic unit.

2.8.2 Debug Flag (D Flag)

This flag is used exclusively for debugging purpose. During normal use, set to 0.

2.8.3 Zero Flag (Z Flag)

This flag is set to 1 when an arithmetic operation resulted in 0; otherwise, it is 0.

2.8.4 Sign Flag (S Flag)

This flag is set to 1 when an arithmetic operation resulted in a negative value; otherwise, it is 0.

2.8.5 Register Bank Select Flag (B Flag)

Register bank 0 is selected when this flag is 0; register bank 1 is selected when this flag is 1.

2.8.6 Overflow Flag (O Flag)

This flag is set to 1 when the operation resulted in an overflow; otherwise, it is 0.

2.8.7 Interrupt Enable Flag (I Flag)

This flag enables a maskable interrupt.

Maskable interrupts are disabled when the I flag is 0, and are enabled when the I flag is 1. The I flag is set to 0 when the interrupt request is accepted.

2.8.8 Stack Pointer Select Flag (U Flag)

ISP is selected when the U flag is 0; USP is selected when the U flag is 1.

The U flag is set to 0 when a hardware interrupt request is accepted or an INT instruction for software interrupt Nos. 0 to 31 is executed.

2.8.9 Processor Interrupt Priority Level (IPL)

IPL is configured with three bits, for specification of up to eight processor interrupt priority levels from level 0 to level 7.

If a requested interrupt has priority greater than IPL, the interrupt request is enabled.

2.8.10 Reserved Area

When write to this bit, write 0. When read, its content is undefined.

3. Memory

Figure 3.1 shows a Memory Map. The address space extends the 1 Mbyte from address 00000h to FFFFFh. The internal ROM is allocated in a lower address direction beginning with address FFFFFh. For example, a 128-Kbyte internal ROM is allocated to the addresses from E0000h to FFFFFh.

As for the flash memory version, 4-Kbyte space (block A) exists in 0F000h to 0FFFFh. 4-Kbyte space is mainly for storing data. In addition to storing data, 4-Kbyte space also can store programs.

The fixed interrupt vector table is allocated to the addresses from FFFDCh to FFFFFh. Therefore, store the start address of each interrupt routine here.

The internal RAM is allocated in an upper address direction beginning with address 00400h. For example, a 5-Kbyte internal RAM is allocated to the addresses from 00400h to 017FFh. In addition to storing data, the internal RAM also stores the stack used when calling subroutines and when interrupts are generated.

The Special Function Registers (SFRs) are allocated to the addresses from 00000h to 003FFh. Peripheral function control registers are located here. Of the SFR, any area which has no functions allocated is reserved for future use and cannot be accessed by user.

The special page vector table is allocated to the addresses from FFE00h to FFFDBh. This vector is used by the JMPS or JSRS instruction. For details, refer to **M16C/60, M16C/20, M16C/Tiny Series Software Manual**. In memory expansion and microprocessor modes, some areas are reserved for future use and cannot be used by users.

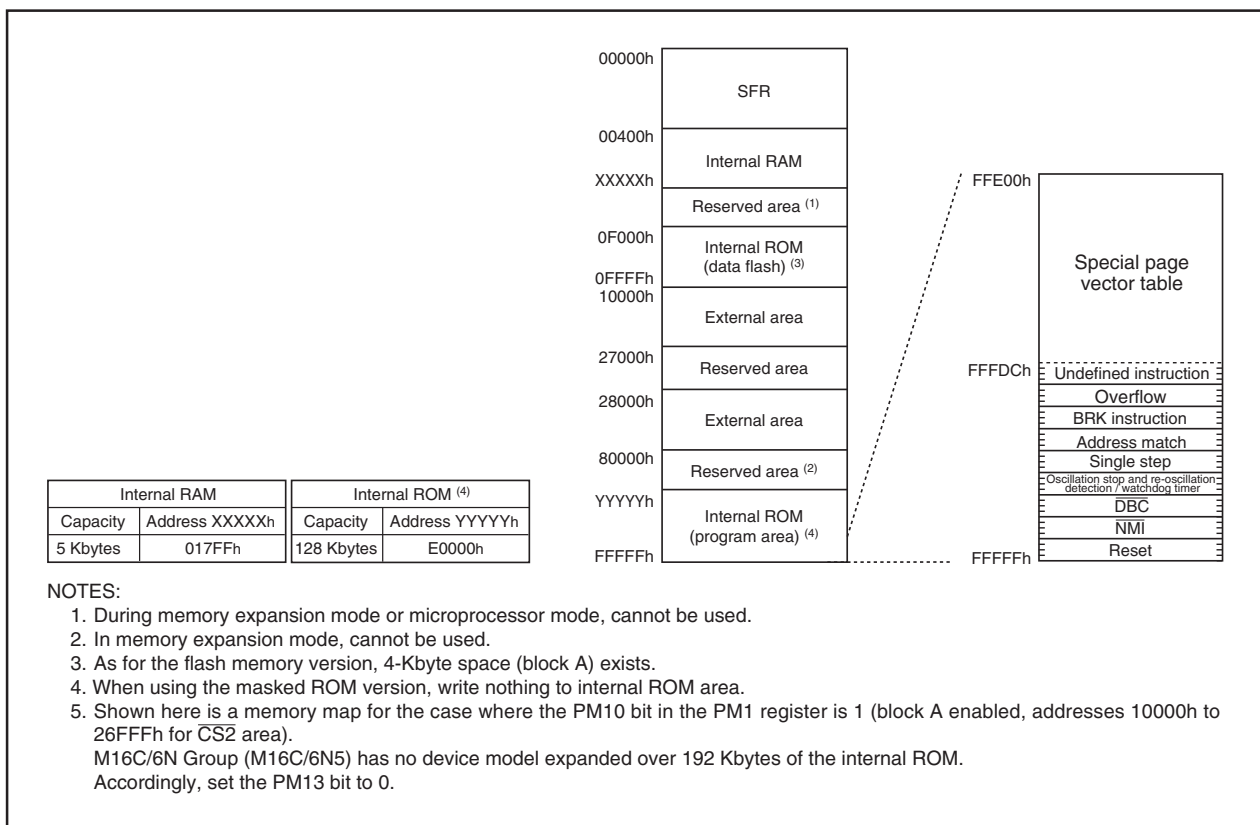


Figure 3.1 Memory Map

4. Special Function Registers (SFRs)

An SFR (Special Function Register) is a control register for a peripheral function.

Tables 4.1 to 4.12 list the SFR Information.

Table 4.1 SFR Information (1) ⁽³⁾

Address	Register	Symbol	After Reset
0000h			
0001h			
0002h			
0003h			
0004h	Processor Mode Register 0 ⁽¹⁾	PM0	00000000b (CNVSS pin is "L") 00000011b (CNVSS pin is "H")
0005h	Processor Mode Register 1	PM1	00001000b
0006h	System Clock Control Register 0	CM0	01001000b
0007h	System Clock Control Register 1	CM1	00100000b
0008h	Chip Select Control Register	CSR	00000001b
0009h	Address Match Interrupt Enable Register	AIER	XXXXXX00b
000Ah	Protect Register	PRCR	XX000000b
000Bh			
000Ch	Oscillation Stop Detection Register ⁽²⁾	CM2	0X000000b
000Dh			
000Eh	Watchdog Timer Start Register	WDTS	XXh
000Fh	Watchdog Timer Control Register	WDC	00XXXXXXb
0010h			00h
0011h	Address Match Interrupt Register 0	RMAD0	00h
0012h			X0h
0013h			
0014h			00h
0015h	Address Match Interrupt Register 1	RMAD1	00h
0016h			X0h
0017h			
0018h			
0019h			
001Ah			
001Bh	Chip Select Expansion Control Register	CSE	00h
001Ch	PLL Control Register 0	PLC0	0001X010b
001Dh			
001Eh	Processor Mode Register 2	PM2	XXX00000b
001Fh			
0020h			XXh
0021h	DMA0 Source Pointer	SAR0	XXh
0022h			XXh
0023h			
0024h			XXh
0025h	DMA0 Destination Pointer	DAR0	XXh
0026h			XXh
0027h			
0028h	DMA0 Transfer Counter	TCR0	XXh
0029h			XXh
002Ah			
002Bh			
002Ch	DMA0 Control Register	DM0CON	00000X00b
002Dh			
002Eh			
002Fh			
0030h			XXh
0031h	DMA1 Source Pointer	SAR1	XXh
0032h			XXh
0033h			
0034h			XXh
0035h	DMA1 Destination Pointer	DAR1	XXh
0036h			XXh
0037h			
0038h	DMA1 Transfer Counter	TCR1	XXh
0039h			XXh
003Ah			
003Bh			
003Ch	DMA1 Control Register	DM1CON	00000X00b
003Dh			
003Eh			
003Fh			

X: Undefined

NOTES:

1. Bits PM00 and PM01 in the PM0 register do not change at software reset, watchdog timer reset and oscillation stop detection reset.
2. Bits CM20, CM21, and CM27 in the CM2 register do not change at oscillation stop detection reset.
3. Blank spaces are reserved. No access is allowed.

Table 4.2 SFR Information (2) ⁽¹⁾

Address	Register	Symbol	After Reset
0040h			
0041h	CAN0 Wake-up Interrupt Control Register	C01WKIC	XXXXX000b
0042h	CAN0 Successful Reception Interrupt Control Register	C0RECIC	XXXXX000b
0043h	CAN0 Successful Transmission Interrupt Control Register	C0TRMIC	XXXXX000b
0044h	INT3 Interrupt Control Register	INT3IC	XX00X000b
0045h	Timer B5 Interrupt Control Register	TB5IC	XXXXX000b
0046h	Timer B4 Interrupt Control Register	TB4IC	XXXXX000b
	UART1 Bus Collision Detection Interrupt Control Register	U1BCNIC	
0047h	Timer B3 Interrupt Control Register	TB3IC	XXXXX000b
	UART0 Bus Collision Detection Interrupt Control Register	U0BCNIC	
0048h	INT5 Interrupt Control Register	INT5IC	XX00X000b
0049h	SI/O3 Interrupt Control Register	S3IC	XX00X000b
	INT4 Interrupt Control Register	INT4IC	
004Ah	UART2 Bus Collision Detection Interrupt Control Register	U2BCNIC	XXXXX000b
004Bh	DMA0 Interrupt Control Register	DM0IC	XXXXX000b
004Ch	DMA1 Interrupt Control Register	DM1IC	XXXXX000b
004Dh	CAN0 Error Interrupt Control Register	C0ERRIC	XXXXX000b
004Eh	A/D Conversion Interrupt Control Register	ADIC	XXXXX000b
	Key Input Interrupt Control Register	KUPIC	
004Fh	UART2 Transmit Interrupt Control Register	S2TIC	XXXXX000b
0050h	UART2 Receive Interrupt Control Register	S2RIC	XXXXX000b
0051h	UART0 Transmit Interrupt Control Register	S0TIC	XXXXX000b
0052h	UART0 Receive Interrupt Control Register	S0RIC	XXXXX000b
0053h	UART1 Transmit Interrupt Control Register	S1TIC	XXXXX000b
0054h	UART1 Receive Interrupt Control Register	S1RIC	XXXXX000b
0055h	Timer A0 Interrupt Control Register	TA0IC	XXXXX000b
0056h	Timer A1 Interrupt Control Register	TA1IC	XXXXX000b
0057h	Timer A2 Interrupt Control Register	TA2IC	XXXXX000b
0058h	Timer A3 Interrupt Control Register	TA3IC	XXXXX000b
0059h	Timer A4 Interrupt Control Register	TA4IC	XXXXX000b
005Ah	Timer B0 Interrupt Control Register	TB0IC	XXXXX000b
005Bh	Timer B1 Interrupt Control Register	TB1IC	XXXXX000b
005Ch	Timer B2 Interrupt Control Register	TB2IC	XXXXX000b
005Dh	INT0 Interrupt Control Register	INT0IC	XX00X000b
005Eh	INT1 Interrupt Control Register	INT1IC	XX00X000b
005Fh	INT2 Interrupt Control Register	INT2IC	XX00X000b
0060h	CAN0 Message Box 0: Identifier / DLC		XXh
0061h			XXh
0062h			XXh
0063h			XXh
0064h			XXh
0065h	CAN0 Message Box 0: Data Field		XXh
0066h			XXh
0067h			XXh
0068h			XXh
0069h			XXh
006Ah	CAN0 Message Box 0: Time Stamp		XXh
006Bh			XXh
006Ch			XXh
006Dh			XXh
006Eh			XXh
006Fh	CAN0 Message Box 1: Identifier / DLC		XXh
0070h			XXh
0071h			XXh
0072h			XXh
0073h			XXh
0074h	CAN0 Message Box 1: Data Field		XXh
0075h			XXh
0076h			XXh
0077h			XXh
0078h			XXh
0079h	CAN0 Message Box 1: Time Stamp		XXh
007Ah			XXh
007Bh			XXh
007Ch			XXh
007Dh			XXh
007Eh	CAN0 Message Box 1: Time Stamp		XXh
007Fh			XXh

X: Undefined

NOTE:

- Blank space is reserved. No access is allowed.

Table 4.3 SFR Information (3)

Address	Register	Symbol	After Reset		
0080h	CAN0 Message Box 2: Identifier / DLC		XXh		
0081h			XXh		
0082h			XXh		
0083h			XXh		
0084h			XXh		
0085h			XXh		
0086h	CAN0 Message Box 2: Data Field		XXh		
0087h			XXh		
0088h			XXh		
0089h			XXh		
008Ah			XXh		
008Bh			XXh		
008Ch	CAN0 Message Box 2: Time Stamp		XXh		
008Dh			XXh		
008Eh			XXh		
008Fh			XXh		
0090h			CAN0 Message Box 3: Identifier / DLC		XXh
0091h					XXh
0092h	XXh				
0093h	XXh				
0094h	XXh				
0095h	XXh				
0096h	CAN0 Message Box 3: Data Field		XXh		
0097h			XXh		
0098h			XXh		
0099h			XXh		
009Ah			XXh		
009Bh			XXh		
009Ch	CAN0 Message Box 3: Time Stamp		XXh		
009Dh			XXh		
009Eh			XXh		
009Fh			XXh		
00A0h			CAN0 Message Box 4: Identifier / DLC		XXh
00A1h					XXh
00A2h	XXh				
00A3h	XXh				
00A4h	XXh				
00A5h	XXh				
00A6h	CAN0 Message Box 4: Data Field		XXh		
00A7h			XXh		
00A8h			XXh		
00A9h			XXh		
00AAh			XXh		
00ABh			XXh		
00ACh	CAN0 Message Box 4: Time Stamp		XXh		
00ADh			XXh		
00AEh			XXh		
00AFh			XXh		
00B0h			CAN0 Message Box 5: Identifier / DLC		XXh
00B1h					XXh
00B2h	XXh				
00B3h	XXh				
00B4h	XXh				
00B5h	XXh				
00B6h	CAN0 Message Box 5: Data Field		XXh		
00B7h			XXh		
00B8h			XXh		
00B9h			XXh		
00BAh			XXh		
00BBh			XXh		
00BCh	CAN0 Message Box 5: Time Stamp		XXh		
00BDh			XXh		
00BEh			XXh		
00BFh			XXh		

X: Undefined

Table 4.4 SFR Information (4)

Address	Register	Symbol	After Reset		
00C0h	CAN0 Message Box 6: Identifier / DLC		XXh		
00C1h			XXh		
00C2h			XXh		
00C3h			XXh		
00C4h			XXh		
00C5h			XXh		
00C6h	CAN0 Message Box 6: Data Field		XXh		
00C7h			XXh		
00C8h			XXh		
00C9h			XXh		
00CAh			XXh		
00CBh			XXh		
00CCh	CAN0 Message Box 6: Time Stamp		XXh		
00CDh			XXh		
00CEh			XXh		
00CFh			XXh		
00D0h			CAN0 Message Box 7: Identifier / DLC		XXh
00D1h					XXh
00D2h	XXh				
00D3h	XXh				
00D4h	XXh				
00D5h	XXh				
00D6h	CAN0 Message Box 7: Data Field		XXh		
00D7h			XXh		
00D8h			XXh		
00D9h			XXh		
00DAh			XXh		
00DBh			XXh		
00DCh	CAN0 Message Box 7: Time Stamp		XXh		
00DDh			XXh		
00DEh			XXh		
00DFh			XXh		
00E0h			CAN0 Message Box 8: Identifier / DLC		XXh
00E1h					XXh
00E2h	XXh				
00E3h	XXh				
00E4h	XXh				
00E5h	XXh				
00E6h	CAN0 Message Box 8: Data Field		XXh		
00E7h			XXh		
00E8h			XXh		
00E9h			XXh		
00EAh			XXh		
00EBh			XXh		
00ECh	CAN0 Message Box 8: Time Stamp		XXh		
00EDh			XXh		
00EEh			XXh		
00EFh			XXh		
00F0h			CAN0 Message Box 9: Identifier / DLC		XXh
00F1h					XXh
00F2h	XXh				
00F3h	XXh				
00F4h	XXh				
00F5h	XXh				
00F6h	CAN0 Message Box 9: Data Field		XXh		
00F7h			XXh		
00F8h			XXh		
00F9h			XXh		
00FAh			XXh		
00FBh			XXh		
00FCh	CAN0 Message Box 9: Time Stamp		XXh		
00FDh			XXh		
00FEh			XXh		
00FFh			XXh		

X: Undefined

Table 4.5 SFR Information (5)

Address	Register	Symbol	After Reset		
0100h	CAN0 Message Box 10: Identifier / DLC		XXh		
0101h			XXh		
0102h			XXh		
0103h			XXh		
0104h			XXh		
0105h			XXh		
0106h	CAN0 Message Box 10: Data Field		XXh		
0107h			XXh		
0108h			XXh		
0109h			XXh		
010Ah			XXh		
010Bh			XXh		
010Ch	CAN0 Message Box 10: Time Stamp		XXh		
010Dh			XXh		
010Eh			XXh		
010Fh			XXh		
0110h			CAN0 Message Box 11: Identifier / DLC		XXh
0111h					XXh
0112h	XXh				
0113h	XXh				
0114h	XXh				
0115h	XXh				
0116h	CAN0 Message Box 11: Data Field		XXh		
0117h			XXh		
0118h			XXh		
0119h			XXh		
011Ah			XXh		
011Bh			XXh		
011Ch	CAN0 Message Box 11: Time Stamp		XXh		
011Dh			XXh		
011Eh			XXh		
011Fh			XXh		
0120h			CAN0 Message Box 12: Identifier / DLC		XXh
0121h					XXh
0122h	XXh				
0123h	XXh				
0124h	XXh				
0125h	XXh				
0126h	CAN0 Message Box 12: Data Field		XXh		
0127h			XXh		
0128h			XXh		
0129h			XXh		
012Ah			XXh		
012Bh			XXh		
012Ch	CAN0 Message Box 12: Time Stamp		XXh		
012Dh			XXh		
012Eh			XXh		
012Fh			XXh		
0130h			CAN0 Message Box 13: Identifier / DLC		XXh
0131h					XXh
0132h	XXh				
0133h	XXh				
0134h	XXh				
0135h	XXh				
0136h	CAN0 Message Box 13: Data Field		XXh		
0137h			XXh		
0138h			XXh		
0139h			XXh		
013Ah			XXh		
013Bh			XXh		
013Ch	CAN0 Message Box 13: Time Stamp		XXh		
013Dh			XXh		
013Eh			XXh		
013Fh			XXh		

X: Undefined

Table 4.6 SFR Information (6) ⁽¹⁾

Address	Register	Symbol	After Reset		
0140h	CAN0 Message Box 14: Identifier /DLC		XXh		
0141h			XXh		
0142h			XXh		
0143h			XXh		
0144h			XXh		
0145h			XXh		
0146h	CAN0 Message Box 14: Data Field		XXh		
0147h			XXh		
0148h			XXh		
0149h			XXh		
014Ah			XXh		
014Bh			XXh		
014Ch	CAN0 Message Box 14: Time Stamp		XXh		
014Dh			XXh		
014Eh			XXh		
014Fh			XXh		
0150h			CAN0 Message Box 15: Identifier /DLC		XXh
0151h					XXh
0152h	XXh				
0153h	XXh				
0154h	XXh				
0155h	XXh				
0156h	CAN0 Message Box 15: Data Field		XXh		
0157h			XXh		
0158h			XXh		
0159h			XXh		
015Ah			XXh		
015Bh			XXh		
015Ch	CAN0 Message Box 15: Time Stamp		XXh		
015Dh			XXh		
015Eh			XXh		
015Fh			XXh		
0160h			CAN0 Global Mask Register	C0GMR	XXh
0161h					XXh
0162h	XXh				
0163h	XXh				
0164h	XXh				
0165h	XXh				
0166h	CAN0 Local Mask A Register	C0LMAR	XXh		
0167h			XXh		
0168h			XXh		
0169h			XXh		
016Ah			XXh		
016Bh			XXh		
016Ch	CAN0 Local Mask B Register	C0LMBR	XXh		
016Dh			XXh		
016Eh			XXh		
016Fh			XXh		
0170h			XXh		
0171h			XXh		
0172h					
0173h					
0174h					
0175h					
0176h					
0177h					
0178h					
0179h					
017Ah					
017Bh					
017Ch					
017Dh					
017Eh					
017Fh					

X: Undefined

NOTE:

- Blank spaces are reserved. No access is allowed.

Table 4.7 SFR Information (7) ⁽²⁾

Address	Register	Symbol	After Reset
0180h			
0181h			
0182h			
0183h			
0184h			
0185h			
0186h			
0187h			
0188h			
0189h			
018Ah			
018Bh			
018Ch			
018Dh			
018Eh			
018Fh			
0190h			
0191h			
0192h			
0193h			
0194h			
0195h			
0196h			
0197h			
0198h			
0199h			
019Ah			
019Bh			
019Ch			
019Dh			
019Eh			
019Fh			
01A0h			
01A1h			
01A2h			
01A3h			
01A4h			
01A5h			
01A6h			
01A7h			
01A8h			
01A9h			
01AAh			
01ABh			
01ACh			
01ADh			
01AEh			
01AFh			
01B0h			
01B1h			
01B2h			
01B3h			
01B4h			
01B5h	Flash Memory Control Register 1 ⁽¹⁾	FMR1	0X00XX0Xb
01B6h			
01B7h	Flash Memory Control Register 0 ⁽¹⁾	FMR0	00000001b
01B8h			00h
01B9h	Address Match Interrupt Register 2	RMAD2	00h
01BAh			X0h
01BBh	Address Match Interrupt Enable Register 2	AIER2	XXXXXX00b
01BCh			00h
01BDh	Address Match Interrupt Register 3	RMAD3	00h
01BEh			X0h
01BFh			

X: Undefined

NOTES:

1. These registers are included in the flash memory version. Cannot be accessed by users in the mask ROM version.
2. Blank spaces are reserved. No access is allowed.

Table 4.8 SFR Information (8) ⁽¹⁾

Address	Register	Symbol	After Reset
01C0h	Timer B3, B4, B5 Count Start Flag	TBSR	000XXXXXb
01C1h			
01C2h			XXh
01C3h	Timer A1-1 Register	TA11	XXh
01C4h			XXh
01C5h	Timer A2-1 Register	TA21	XXh
01C6h			XXh
01C7h	Timer A4-1 Register	TA41	XXh
01C8h	Three-Phase PWM Control Register 0	INVC0	00h
01C9h	Three-Phase PWM Control Register 1	INVC1	00h
01CAh	Three-Phase Output Buffer Register 0	IDB0	00111111b
01CBh	Three-Phase Output Buffer Register 1	IDB1	00111111b
01CCh	Dead Time Timer	DTT	XXh
01CDh	Timer B2 Interrupt Generation Frequency Set Counter	ICTB2	XXh
01CEh			
01CFh			
01D0h			XXh
01D1h	Timer B3 Register	TB3	XXh
01D2h			XXh
01D3h	Timer B4 Register	TB4	XXh
01D4h			XXh
01D5h	Timer B5 Register	TB5	XXh
01D6h			
01D7h			
01D8h			
01D9h			
01DAh			
01DBh	Timer B3 Mode Register	TB3MR	00XX0000b
01DCh	Timer B4 Mode Register	TB4MR	00XX0000b
01DDh	Timer B5 Mode Register	TB5MR	00XX0000b
01DEh	Interrupt Source Select Register 0	IFSR0	00XX0000b
01DFh	Interrupt Source Select Register 1	IFSR1	00h
01E0h	SI/O3 Transmit/Receive Register	S3TRR	XXh
01E1h			
01E2h	SI/O3 Control Register	S3C	01000000b
01E3h	SI/O3 Bit Rate Register	S3BRG	XXh
01E4h			
01E5h			
01E6h			
01E7h			
01E8h			
01E9h			
01EAh			
01EBh			
01ECh	UART0 Special Mode Register 4	U0SMR4	00h
01EDh	UART0 Special Mode Register 3	U0SMR3	00X0X0Xb
01EEh	UART0 Special Mode Register 2	U0SMR2	X0000000b
01EFh	UART0 Special Mode Register	U0SMR	X0000000b
01F0h	UART1 Special Mode Register 4	U1SMR4	00h
01F1h	UART1 Special Mode Register 3	U1SMR3	00X0X0Xb
01F2h	UART1 Special Mode Register 2	U1SMR2	X0000000b
01F3h	UART1 Special Mode Register	U1SMR	X0000000b
01F4h	UART2 Special Mode Register 4	U2SMR4	00h
01F5h	UART2 Special Mode Register 3	U2SMR3	00X0X0Xb
01F6h	UART2 Special Mode Register 2	U2SMR2	X0000000b
01F7h	UART2 Special Mode Register	U2SMR	X0000000b
01F8h	UART2 Transmit/Receive Mode Register	U2MR	00h
01F9h	UART2 Bit Rate Register	U2BRG	XXh
01FAh			XXh
01FBh	UART2 Transmit Buffer Register	U2TB	XXh
01FCh	UART2 Transmit/Receive Control Register 0	U2C0	00001000b
01FDh	UART2 Transmit/Receive Control Register 1	U2C1	0000010b
01FEh			XXh
01FFh	UART2 Receive Buffer Register	U2RB	XXh

X: Undefined

NOTE:

- Blank spaces are reserved. No access is allowed.

Table 4.9 SFR Information (9) ⁽¹⁾

Address	Register	Symbol	After Reset
0200h	CAN0 Message Control Register 0	COMCTL0	00h
0201h	CAN0 Message Control Register 1	COMCTL1	00h
0202h	CAN0 Message Control Register 2	COMCTL2	00h
0203h	CAN0 Message Control Register 3	COMCTL3	00h
0204h	CAN0 Message Control Register 4	COMCTL4	00h
0205h	CAN0 Message Control Register 5	COMCTL5	00h
0206h	CAN0 Message Control Register 6	COMCTL6	00h
0207h	CAN0 Message Control Register 7	COMCTL7	00h
0208h	CAN0 Message Control Register 8	COMCTL8	00h
0209h	CAN0 Message Control Register 9	COMCTL9	00h
020Ah	CAN0 Message Control Register 10	COMCTL10	00h
020Bh	CAN0 Message Control Register 11	COMCTL11	00h
020Ch	CAN0 Message Control Register 12	COMCTL12	00h
020Dh	CAN0 Message Control Register 13	COMCTL13	00h
020Eh	CAN0 Message Control Register 14	COMCTL14	00h
020Fh	CAN0 Message Control Register 15	COMCTL15	00h
0210h	CAN0 Control Register	C0CTLR	X000001b
0211h			XX0X0000b
0212h	CAN0 Status Register	C0STR	00h
0213h			X000001b
0214h	CAN0 Slot Status Register	C0SSTR	00h
0215h			00h
0216h	CAN0 Interrupt Control Register	C0ICR	00h
0217h			00h
0218h	CAN0 Extended ID Register	C0IDR	00h
0219h			00h
021Ah	CAN0 Configuration Register	C0CONR	XXh
021Bh			XXh
021Ch	CAN0 Receive Error Count Register	C0RECR	00h
021Dh	CAN0 Transmit Error Count Register	C0TECR	00h
021Eh	CAN0 Time Stamp Register	C0TSR	00h
021Fh			00h
0220h			
0221h			
0222h			
0223h			
0224h			
0225h			
0226h			
0227h			
0228h			
0229h			
022Ah			
022Bh			
022Ch			
022Dh			
022Eh			
022Fh			
0230h	CAN1 Control Register	C1CTLR	X000001b
0231h			XX0X0000b
0232h			
0233h			
0234h			
0235h			
0236h			
0237h			
0238h			
0239h			
023Ah			
023Bh			
023Ch			
023Dh			
023Eh			
023Fh			

X: Undefined

NOTE:

- Blank spaces are reserved. No access is allowed.

Table 4.10 SFR Information (10) ⁽¹⁾

Address	Register	Symbol	After Reset
0240h			
0241h			
0242h	CAN0 Acceptance Filter Support Register	C0AFS	XXh
0243h			XXh
0244h			
0245h			
0246h			
0247h			
0248h			
0249h			
024Ah			
024Bh			
024Ch			
024Dh			
024Eh			
024Fh			
0250h			
0251h			
0252h			
0253h			
0254h			
0255h			
0256h			
0257h			
0258h			
0259h			
025Ah			
025Bh			
025Ch			
025Dh			
025Eh	Peripheral Clock Select Register	PCLKR	00h
025Fh	CAN0 Clock Select Register	CCLKR	00h
0260h			
0261h			
0262h			
0263h			
0264h			
0265h			
0266h			
0267h			
0268h			
0269h			
026Ah			
026Bh			
026Ch			
026Dh			
026Eh			
026Fh			
0270h to 0372h			
0373h			
0374h			
0375h			
0376h			
0377h			
0378h			
0379h			
037Ah			
037Bh			
037Ch			
037Dh			
037Eh			
037Fh			

X: Undefined

NOTE:

- Blank spaces are reserved. No access is allowed.

Table 4.11 SFR Information (11) ⁽²⁾

Address	Register	Symbol	After Reset
0380h	Count Start Flag	TABSR	00h
0381h	Clock Prescaler Reset Flag	CPSRF	0XXXXXXb
0382h	One-Shot Start Flag	ONSF	00h
0383h	Trigger Select Register	TRGSR	00h
0384h	Up/Down Flag	UDF	00h ⁽¹⁾
0385h			
0386h	Timer A0 Register	TA0	XXh
0387h			XXh
0388h	Timer A1 Register	TA1	XXh
0389h			XXh
038Ah	Timer A2 Register	TA2	XXh
038Bh			XXh
038Ch	Timer A3 Register	TA3	XXh
038Dh			XXh
038Eh	Timer A4 Register	TA4	XXh
038Fh			XXh
0390h	Timer B0 Register	TB0	XXh
0391h			XXh
0392h	Timer B1 Register	TB1	XXh
0393h			XXh
0394h	Timer B2 Register	TB2	XXh
0395h			XXh
0396h	Timer A0 Mode Register	TA0MR	00h
0397h	Timer A1 Mode Register	TA1MR	00h
0398h	Timer A2 Mode Register	TA2MR	00h
0399h	Timer A3 Mode Register	TA3MR	00h
039Ah	Timer A4 Mode Register	TA4MR	00h
039Bh	Timer B0 Mode Register	TB0MR	00XX0000b
039Ch	Timer B1 Mode Register	TB1MR	00XX0000b
039Dh	Timer B2 Mode Register	TB2MR	00XX0000b
039Eh	Timer B2 Special Mode Register	TB2SC	XXXXXX00b
039Fh			
03A0h	UART0 Transmit/Receive Mode Register	U0MR	00h
03A1h	UART0 Bit Rate Register	U0BRG	XXh
03A2h	UART0 Transmit Buffer Register	U0TB	XXh
03A3h			XXh
03A4h	UART0 Transmit/Receive Control Register 0	U0C0	00001000b
03A5h	UART0 Transmit/Receive Control Register 1	U0C1	00XX0010b
03A6h	UART0 Receive Buffer Register	U0RB	XXh
03A7h			XXh
03A8h	UART1 Transmit/Receive Mode Register	U1MR	00h
03A9h	UART1 Bit Rate Register	U1BRG	XXh
03AAh	UART1 Transmit Buffer Register	U1TB	XXh
03ABh			XXh
03ACh	UART1 Transmit/Receive Control Register 0	U1C0	00001000b
03ADh	UART1 Transmit/Receive Control Register 1	U1C1	00XX0010b
03AEh	UART1 Receive Buffer Register	U1RB	XXh
03AFh			XXh
03B0h	UART Transmit/Receive Control Register 2	UCON	X0000000b
03B1h			
03B2h			
03B3h			
03B4h			
03B5h			
03B6h			
03B7h			
03B8h	DMA0 Request Source Select Register	DM0SL	00h
03B9h			
03BAh	DMA1 Request Source Select Register	DM1SL	00h
03BBh			
03BCh	CRC Data Register	CRCD	XXh
03BDh			XXh
03BEh	CRC Input Register	CRCIN	XXh
03BFh			

X: Undefined

NOTES:

1. Bits TA2P to TA4P in the UDF register are set to 0 after reset. However, the contents in these bits are undefined when read.
2. Blank spaces are reserved. No access is allowed.

Table 4.12 SFR Information (12) ⁽²⁾

Address	Register	Symbol	After Reset
03C0h	A/D Register 0	AD0	XXh
03C1h			XXh
03C2h	A/D Register 1	AD1	XXh
03C3h			XXh
03C4h	A/D Register 2	AD2	XXh
03C5h			XXh
03C6h	A/D Register 3	AD3	XXh
03C7h			XXh
03C8h	A/D Register 4	AD4	XXh
03C9h			XXh
03CAh	A/D Register 5	AD5	XXh
03CBh			XXh
03CCh	A/D Register 6	AD6	XXh
03CDh			XXh
03CEh	A/D Register 7	AD7	XXh
03CFh			XXh
03D0h			
03D1h			
03D2h			
03D3h			
03D4h	A/D Control Register 2	ADCON2	00h
03D5h			
03D6h	A/D Control Register 0	ADCON0	00000XXXb
03D7h	A/D Control Register 1	ADCON1	00h
03D8h	D/A Register 0	DA0	00h
03D9h			
03DAh	D/A Register 1	DA1	00h
03DBh			
03DCh	D/A Control Register	DACON	00h
03DDh			
03DEh			
03DFh			
03E0h	Port P0 Register	P0	XXh
03E1h	Port P1 Register	P1	XXh
03E2h	Port P0 Direction Register	PD0	00h
03E3h	Port P1 Direction Register	PD1	00h
03E4h	Port P2 Register	P2	XXh
03E5h	Port P3 Register	P3	XXh
03E6h	Port P2 Direction Register	PD2	00h
03E7h	Port P3 Direction Register	PD3	00h
03E8h	Port P4 Register	P4	XXh
03E9h	Port P5 Register	P5	XXh
03EAh	Port P4 Direction Register	PD4	00h
03EBh	Port P5 Direction Register	PD5	00h
03ECh	Port P6 Register	P6	XXh
03EDh	Port P7 Register	P7	XXh
03EEh	Port P6 Direction Register	PD6	00h
03EFh	Port P7 Direction Register	PD7	00h
03F0h	Port P8 Register	P8	XXh
03F1h	Port P9 Register	P9	XXh
03F2h	Port P8 Direction Register	PD8	00X00000b
03F3h	Port P9 Direction Register	PD9	00h
03F4h	Port P10 Register	P10	XXh
03F5h			
03F6h	Port P10 Direction Register	PD10	00h
03F7h			
03F8h			
03F9h			
03FAh			
03FBh			
03FCh	Pull-up Control Register 0	PUR0	00h
03FDh	Pull-up Control Register 1	PUR1	00000000b ⁽¹⁾ 00000010b
03FEh	Pull-up Control Register 2	PUR2	00h
03FFh	Port Control Register	PCR	00h

X: Undefined

NOTES:

1. At hardware reset, the register is as follows:

- 00000000b where "L" is input to the CNVSS pin
- 00000010b where "H" is input to the CNVSS pin

At software reset, watchdog timer reset and oscillation stop detection reset, the register is as follows:

- 00000000b where bits PM01 to PM00 in the PM0 register are 00b (single-chip mode)
- 00000010b where bits PM01 to PM00 in the PM0 register are 01b (memory expansion mode) or 11b (microprocessor mode)

2. Blank spaces are reserved. No access is allowed.

5. Resets

Hardware reset, software reset, watchdog timer reset, and oscillation stop detection reset are available to reset the MCU.

5.1 Hardware Reset

The MCU resets pins, the CPU and SFR by setting the $\overline{\text{RESET}}$ pin. If the supply voltage meets the recommended operating conditions, the MCU resets all pins when an “L” signal is applied to the $\overline{\text{RESET}}$ pin (see **Table 5.1 Pin Status When RESET Pin Level is “L”**). The oscillation circuit is also reset and the main clock starts oscillation. The MCU resets the CPU and SFR when the signal applied to the $\overline{\text{RESET}}$ pin changes low (“L”) to high (“H”). The MCU executes the program in an address indicated by the reset vector. The internal RAM is not reset. When an “L” signal is applied to the $\overline{\text{RESET}}$ pin while writing data to the internal RAM, the internal RAM is in an undefined state.

Figure 5.1 shows an Example Reset Circuit. Figure 5.2 shows a Reset Sequence. Table 5.1 lists the Pin States when $\overline{\text{RESET}}$ Pin Level is “L”.

5.1.1 Reset on a Stable Supply Voltage

- (1) Apply “L” to the $\overline{\text{RESET}}$ pin
- (2) Apply 20 or more clock cycles to the XIN pin
- (3) Apply “H” to the $\overline{\text{RESET}}$ pin

5.1.2 Power-on Reset

- (1) Apply “L” to the $\overline{\text{RESET}}$ pin
- (2) Raise the supply voltage to the recommended operating level
- (3) Insert $t_d(\text{P-R})$ ms as wait time for the internal voltage to stabilize
- (4) Apply 20 or more clock cycles to the XIN pin
- (5) Apply “H” to the $\overline{\text{RESET}}$ pin

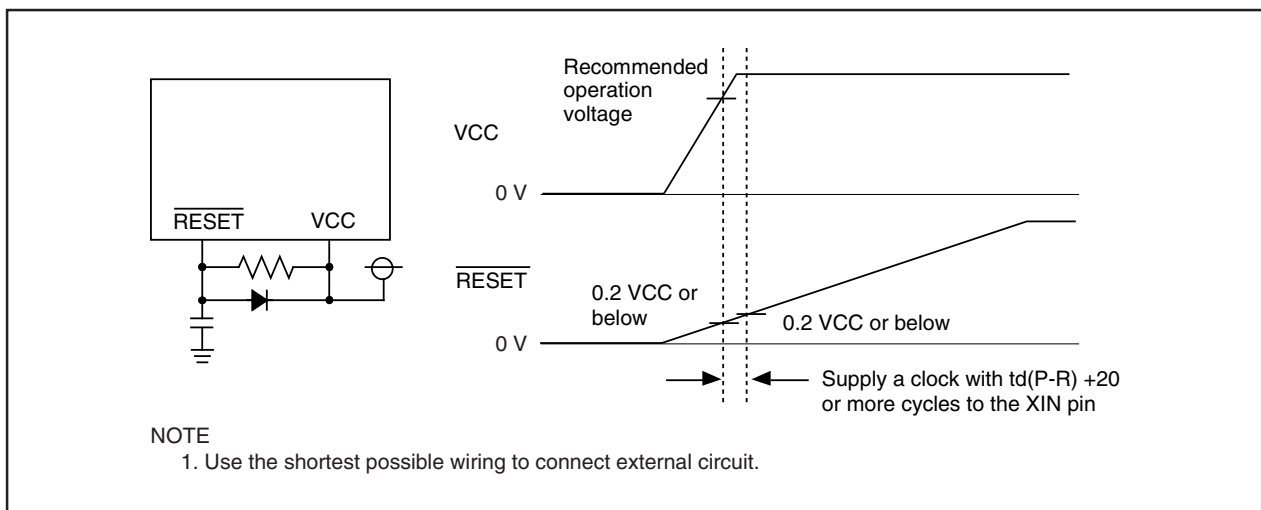


Figure 5.1 Example Reset Circuit

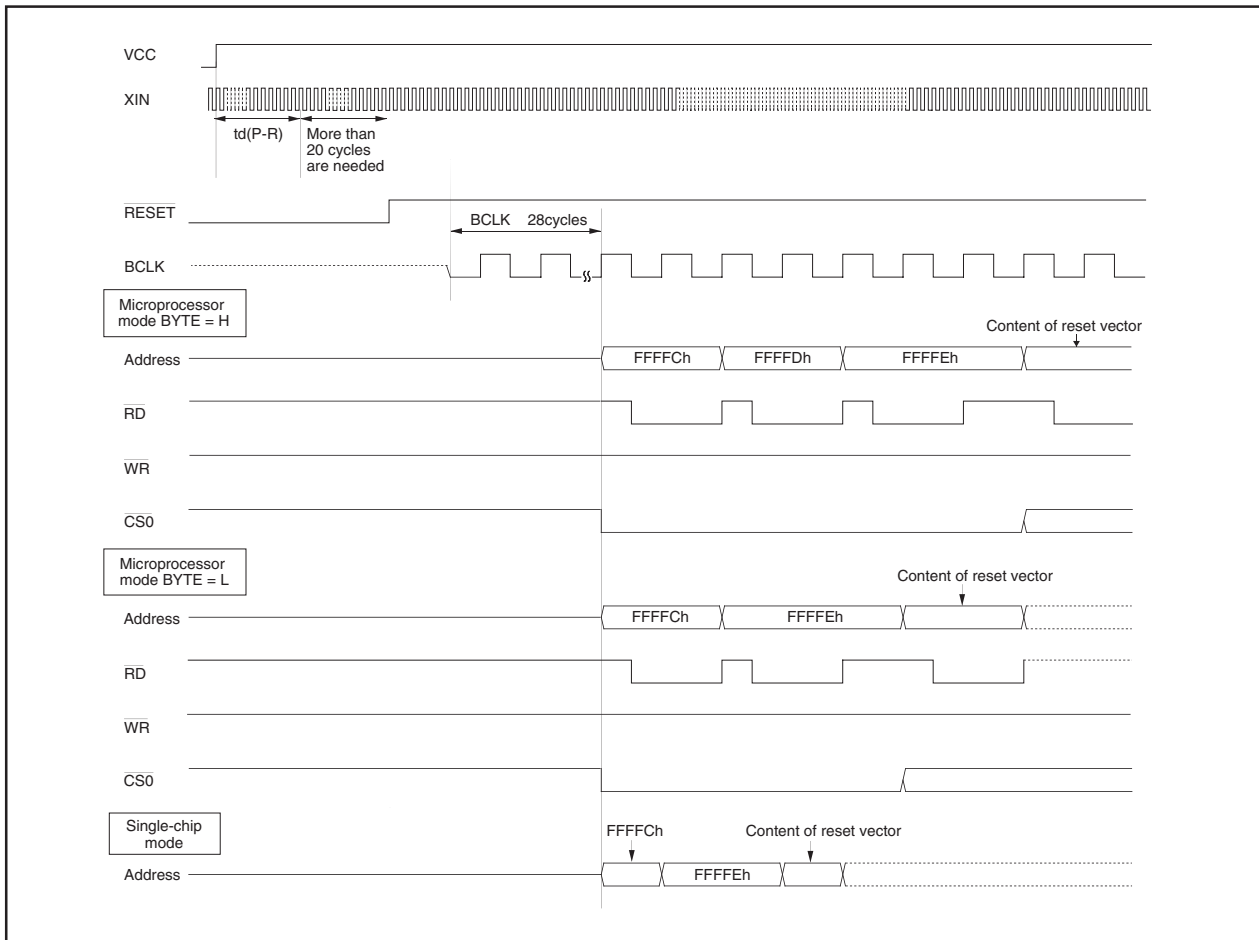


Figure 5.2 Reset Sequence

Table 5.1 Pin Status when RESET Pin Level is “L”

Pin Name	Status		
	CNVSS = VSS	CNVSS = VCC ⁽¹⁾	
		BYTE = VSS	BYTE = VCC
P0	Input port	Data input	Data input
P1	Input port	Data input	Input port
P2, P3, P4_0 to P4_3	Input port	Address output (undefined)	Address output (undefined)
P4_4	Input port	CS0 output (“H” is output)	CS0 output (“H” is output)
P4_5 to P4_7	Input port	Input port (Pulled high)	Input port (Pulled high)
P5_0	Input port	WR output (“H” is output)	WR output (“H” is output)
P5_1	Input port	BHE output (undefined)	BHE output (undefined)
P5_2	Input port	RD output (“H” is output)	RD output (“H” is output)
P5_3	Input port	BCLK output	BCLK output
P5_4	Input port	HLDA output (The output value depends on the input to the HOLD pin)	HLDA output (The output value depends on the input to the HOLD pin)
P5_5	Input port	HOLD input	HOLD input
P5_6	Input port	ALE output (“L” is output)	ALE output (“L” is output)
P5_7	Input port	RDY input	RDY input
P6, P7, P8_0 to P8_4, P8_6, P8_7, P9, P10	Input port	Input port	Input port

NOTE:

1. Shown here is the valid pin state when the internal power supply voltage has stabilized after power-on. When CNVSS = VCC, the pin state is undefined until the internal power supply voltage stabilizes.

5.2 Software Reset

The MCU resets pins, the CPU and SFR when the PM03 bit in the PM0 register is set to 1 (MCU reset). Then the MCU executes the program in an address determined by the reset vector. Set the PM03 bit to 1 while the main clock is selected as the CPU clock and the main clock oscillation is stable. In the software reset, the MCU does not reset a part of the SFR. Refer to **4. Special Function Registers (SFRs)** for details. Processor mode remains unchanged since bits PM01 to PM00 in the PM0 register are not reset.

5.3 Watchdog Timer Reset

The MCU resets pins, the CPU and SFR when the PM12 bit in the PM1 register is set to 1 (reset when watchdog timer underflows) and the watchdog timer underflows. Then the MCU executes the program in an address determined by the reset vector. In the watchdog timer reset, the MCU does not reset a part of the SFR. Refer to **4. Special Function Registers (SFRs)** for details. Processor mode remains unchanged since bits PM01 to PM00 in the PM0 register are not reset.

5.4 Oscillation Stop Detection Reset

The MCU resets and stops pins, the CPU and SFR when the CM27 bit in the CM2 register is 0 (reset at oscillation stop, re-oscillation detection), if it detects main clock oscillation circuit stop. Refer to **8.5 Oscillation Stop and Re-Oscillation Detection Function** for details. In the oscillation stop detection reset, the MCU does not reset a part of the SFR. Refer to **4. Special Function Registers (SFRs)** for details. Processor mode remains unchanged since bits PM01 to PM00 in the PM0 register are not reset.

5.5 Internal Space

Figure 5.3 shows CPU Register Status After Reset. Refer to **4. Special Function Registers (SFRs)** for SFR states after reset.

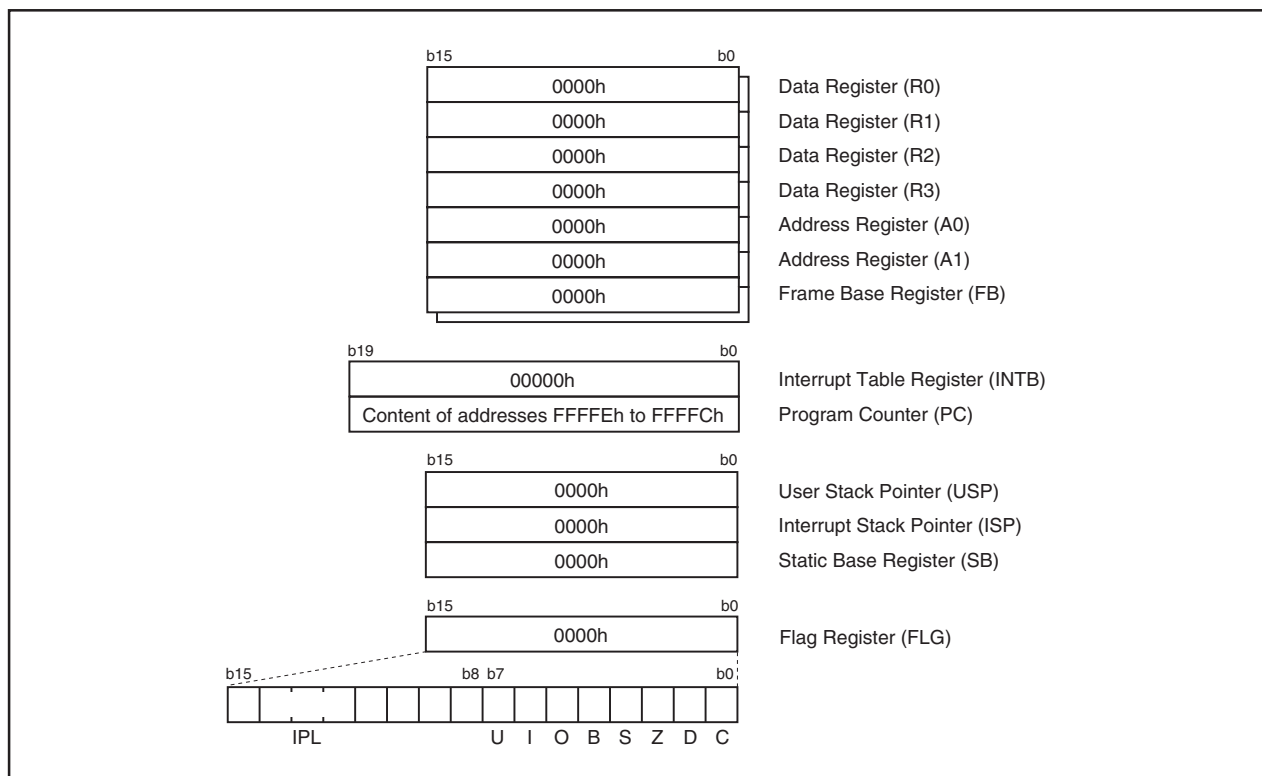


Figure 5.3 CPU Register Status After Reset

6. Processor Mode

6.1 Types of Processor Mode

Three processor modes are available to choose from: single-chip mode, memory expansion mode, and microprocessor mode. Table 6.1 shows the Features of Processor Modes.

Table 6.1 Features of Processor Modes

Processor Mode	Access Space	Pins Which are Assigned I/O Ports
Single-chip mode	SFR, internal RAM, internal ROM	All pins are I/O ports or peripheral function I/O pins
Memory expansion mode	SFR, internal RAM, internal ROM, external area ⁽¹⁾	Some pins serve as bus control pins ⁽¹⁾
Microprocessor mode	SFR, internal RAM, external area ⁽¹⁾	Some pins serve as bus control pins ⁽¹⁾

NOTE:

1. Refer to 7. Bus.

6.2 Setting Processor Modes

Processor mode is set by using the CNVSS pin and bits PM01 to PM00 in the PM0 register.

Table 6.2 shows the Processor Mode after Hardware Reset. Table 6.3 shows Bits PM01 to PM00 Set Values and Processor Modes.

Table 6.2 Processor Mode after Hardware Reset

CNVSS Pin Input Level	Processor Mode
VSS	Single-chip mode
VCC ^{(1) (2)}	Microprocessor mode

NOTES:

1. If the MCU is reset in hardware by applying VCC to the CNVSS pin, the internal ROM cannot be accessed regardless of bits PM01 to PM00.
2. The multiplexed bus cannot be assigned to the entire \overline{CS} space.

Table 6.3 Bits PM01 to PM00 Set Values and Processor Modes

Bits PM01 to PM00	Processor Mode
00b	Single-chip mode
01b	Memory expansion mode
10b	Do not set a value
11b	Microprocessor mode

Rewriting bits PM01 to PM00 places the MCU in the corresponding processor mode regardless of whether the input level on the CNVSS pin is "H" or "L". Note, however, that bits PM01 to PM00 cannot be rewritten to 01b (memory expansion mode) or 11b (microprocessor mode) at the same time bits PM07 to PM02 are rewritten. Note also that these bits cannot be rewritten to enter microprocessor mode in the internal ROM, nor can they be rewritten to exit microprocessor mode in areas overlapping the internal ROM.

If the MCU is reset in hardware by applying VCC to the CNVSS pin (hardware reset), the internal ROM cannot be accessed regardless of bits PM01 to PM00.

Figures 6.1 and 6.2 show the PM0 Register and PM1 Register. Figure 6.3 shows the Memory Map in Single-chip Mode. Figures 6.4 and 6.5 show the Memory Map and \overline{CS} Area in Memory Expansion Mode and Microprocessor Mode.

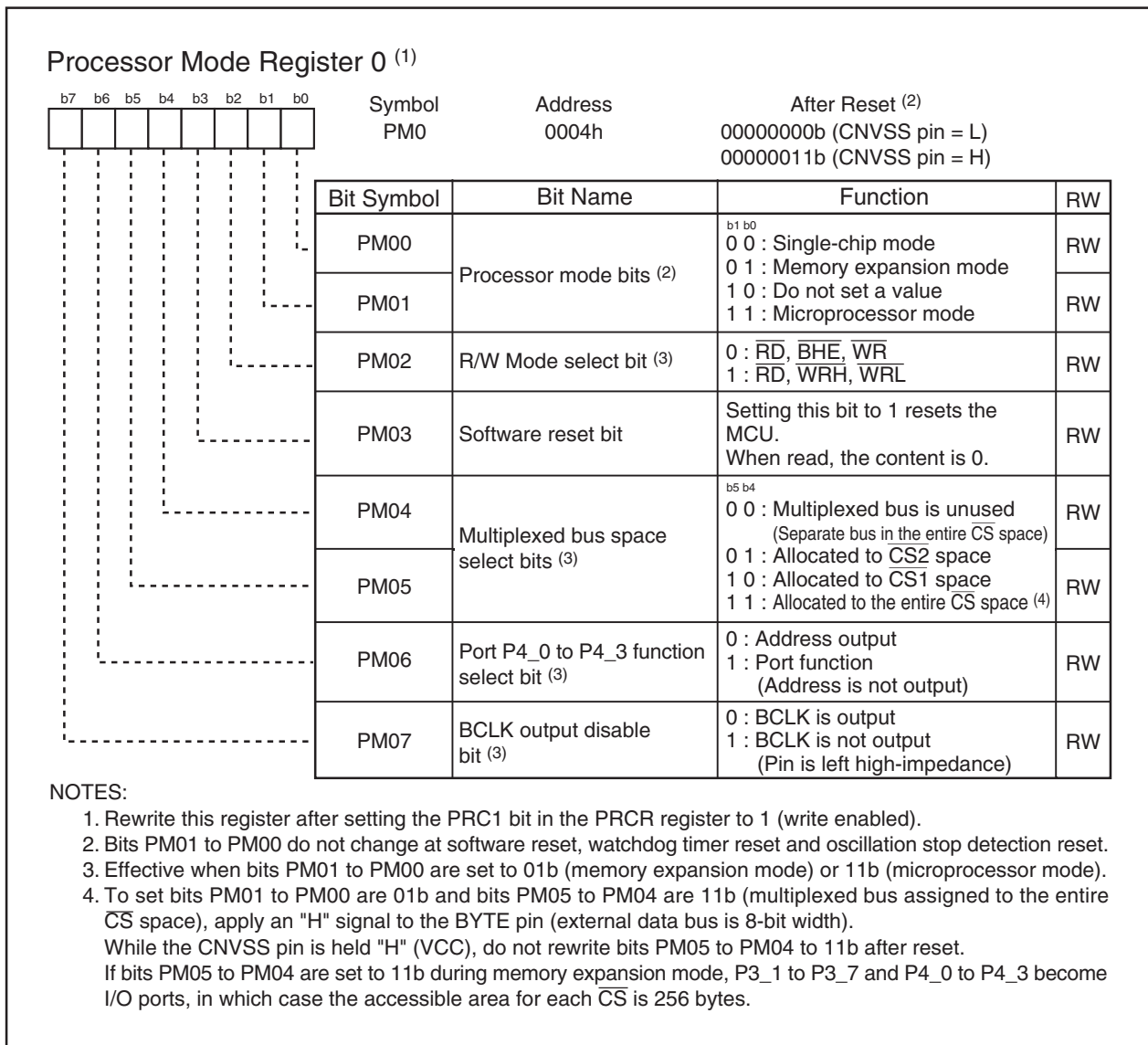


Figure 6.1 PM0 Register

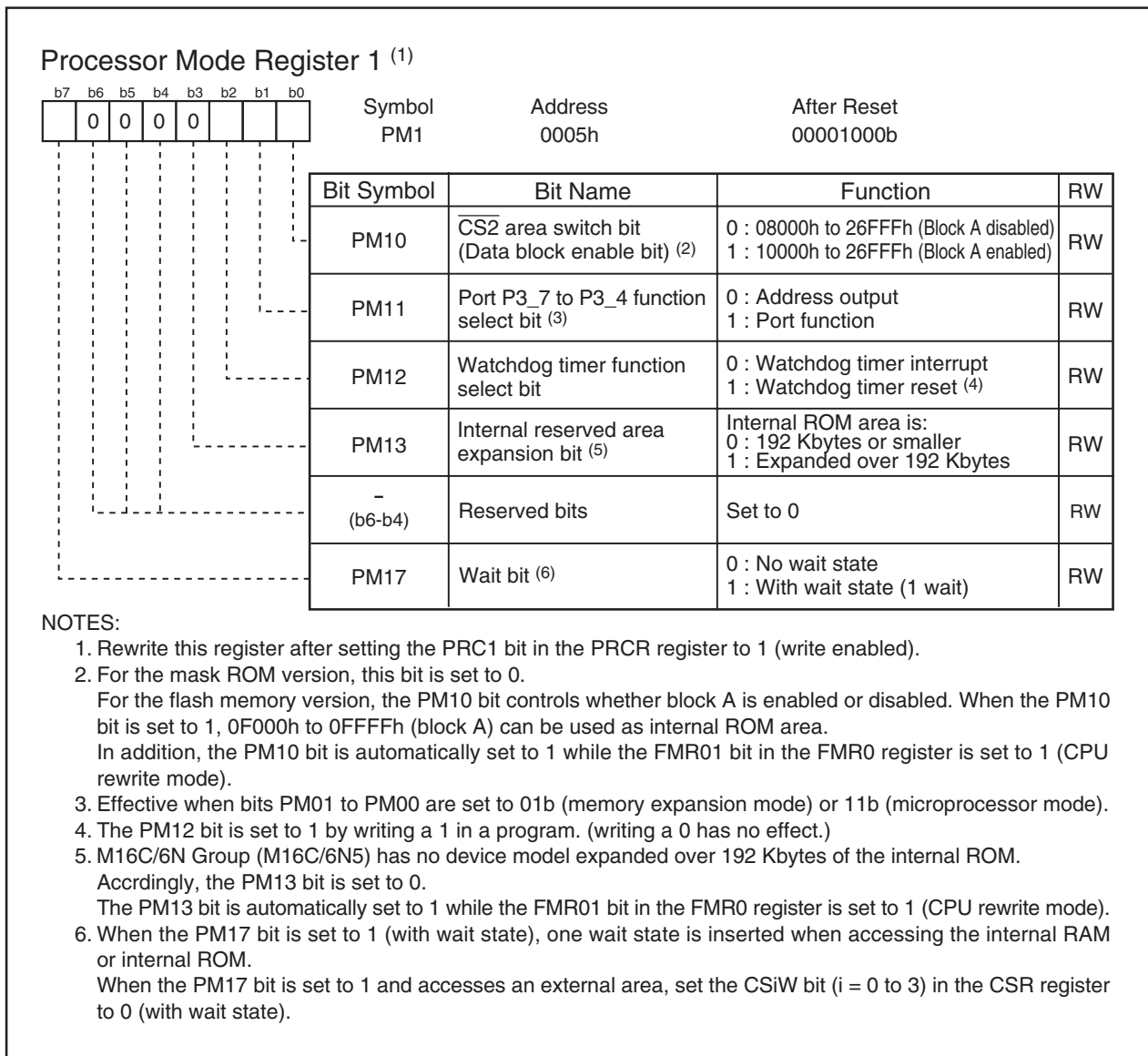


Figure 6.2 PM1 Register

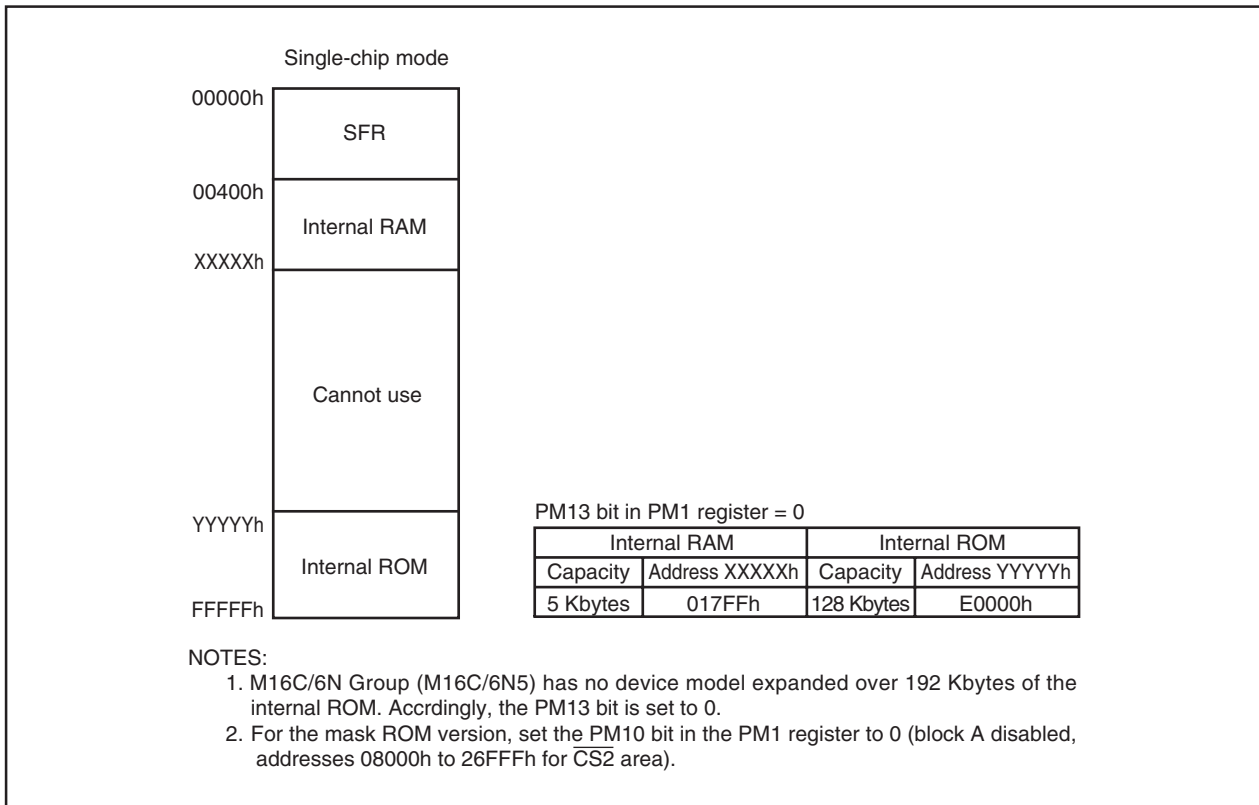


Figure 6.3 Memory Map in Single-chip Mode

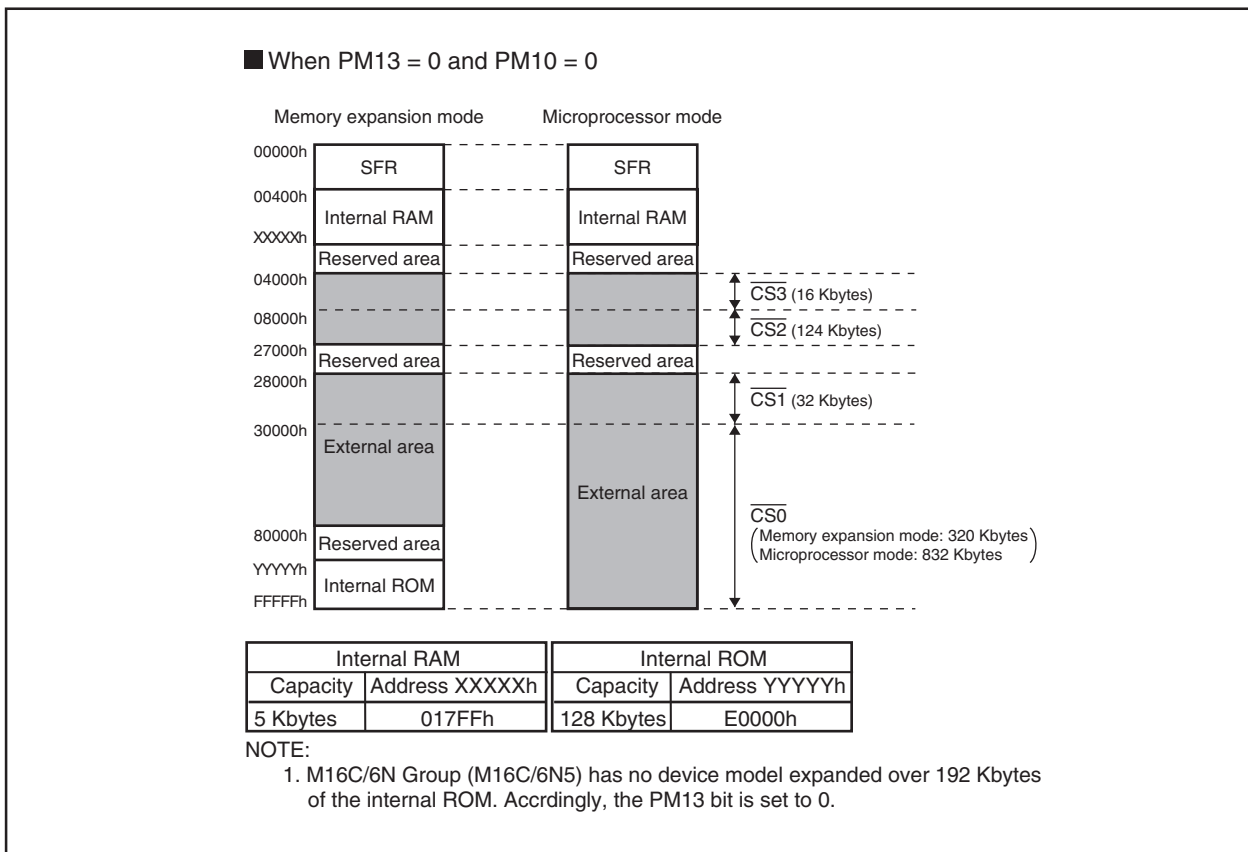


Figure 6.4 Memory Map and CS Area in Memory Expansion Mode and Microprocessor Mode (1)

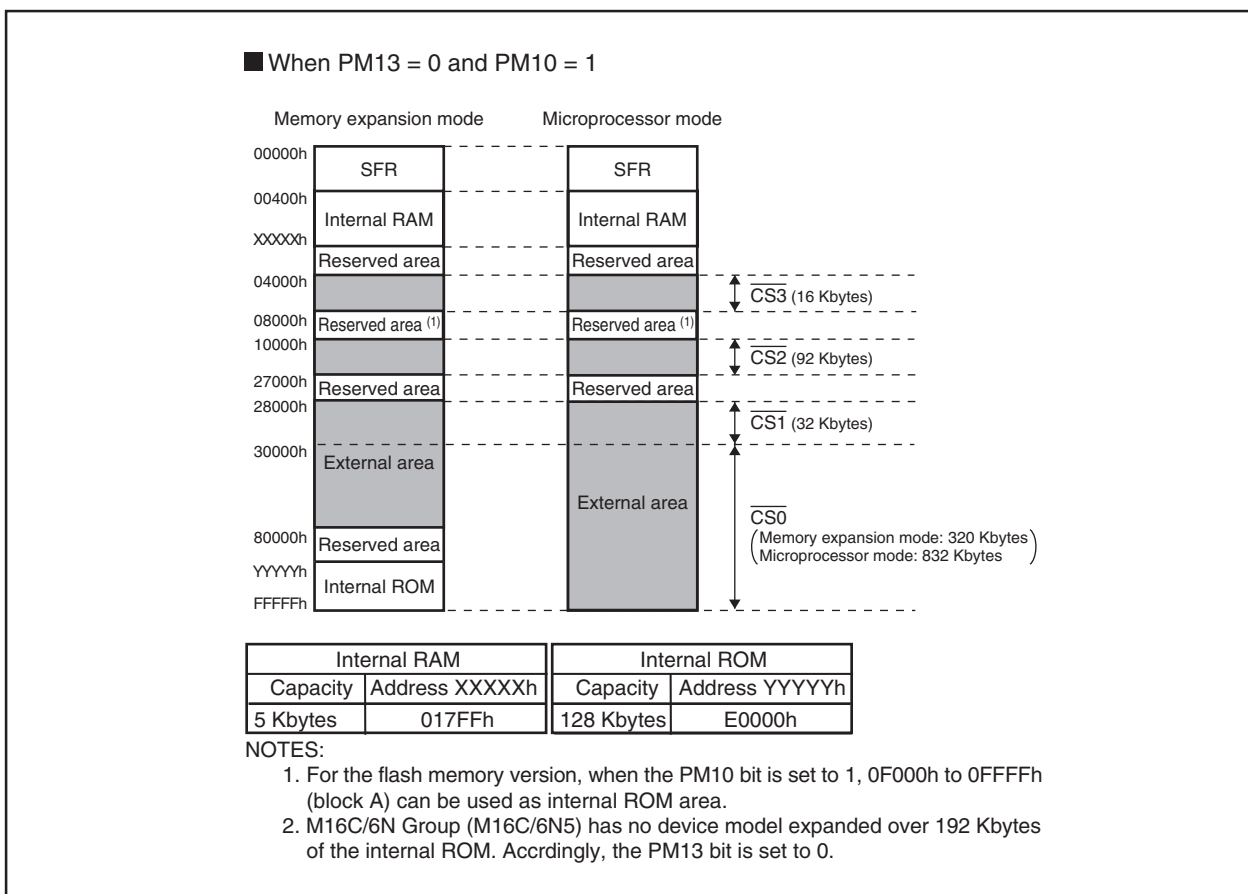


Figure 6.5 Memory Map and CS Area in Memory Expansion Mode and Microprocessor Mode (2)

7. Bus

During memory expansion or microprocessor mode, some pins serve as the bus control pins to perform data input/output to and from external devices. These bus control pins include A0 to A19, D0 to D15, $\overline{CS0}$ to $\overline{CS3}$, RD, WRL/WR, WRH/BHE, ALE, RDY, HOLD, HLDA, and BCLK.

7.1 Bus Mode

The bus mode, either multiplexed or separate, can be selected using bits PM05 to PM04 in the PM0 register.

7.1.1 Separate Bus

In this bus mode, data and address are separate.

7.1.2 Multiplexed Bus

In this bus mode, data and address are multiplexed.

7.1.2.1 When the input level on BYTE pin is high (8-bit data bus)

D0 to D7 and A0 to A7 are multiplexed.


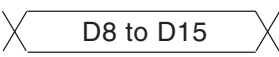
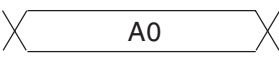

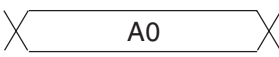
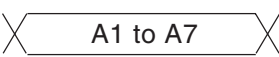


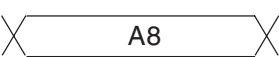
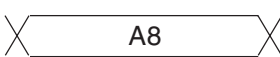

7.1.2.2 When the input level on BYTE pin is low (16-bit data bus)

D0 to D7 and A1 to A8 are multiplexed. D8 to D15 are not multiplexed. Do not use D8 to D15.

External devices connecting to a multiplexed bus are allocated to only the even addresses of the MCU. Odd addresses cannot be accessed.

Table 7.1 shows the Difference between Separate Bus and Multiplexed Bus.

Table 7.1 Difference between Separate Bus and Multiplexed Bus

Pin Name ⁽¹⁾	Separate Bus	Multiplexed Bus	
		BYTE = H	BYTE = L
P0_0 to P0_7/D0 to D7		(NOTE 2)	(NOTE 2)
P1_0 to P1_7/D8 to D15		I/O Port P1_0 to P1_7	(NOTE 2)
P2_0/A0(/D0/-)			
P2_1 to P2_7/A1 to A7 (/D1 to D7/D0 to D6)			
P3_0/A8(/-/D7)			

NOTES :

1. See **Table 7.6 Pin Functions for Each Processor Mode** for bus control signals other than the above.
2. It changes with a setup of bits PM05 to PM04 in the PM0 register, and area to access. See **Table 7.6 Pin Functions for Each Processor Mode** for details.

7.2 Bus Control

The following describes the signals needed for accessing external devices and the functionality of software wait.

7.2.1 Address Bus

The address bus consists of 20 lines, A0 to A19. The address bus width can be chosen to be 12, 16 or 20 bits by using the PM06 bit in the PM0 register and the PM11 bit in the PM1 register. Table 7.2 shows Bits PM06 and PM11 Set Values and Address Bus Widths.

When processor mode is changed from single-chip mode to memory expansion mode, the address bus is undefined until any external area is accessed.

Table 7.2 Bits PM06 and PM11 Set Value and Address Bus Width

Set Value ⁽¹⁾	Pin Function	Address Bus Width
PM11 = 1	P3_4 to P3_7	12 bits
PM06 = 1	P4_0 to P4_3	
PM11 = 0	A12 to A15	16 bits
PM06 = 1	P4_0 to P4_3	
PM11 = 0	A12 to A15	20 bits
PM06 = 0	A16 to A19	

NOTE:

- No values other than those shown above can be set.

7.2.2 Data Bus

When input on the BYTE pin is high (data bus is an 8-bit width), 8 lines D0 to D7 comprise the data bus; when input on the BYTE pin is low (data bus is a 16-bit width), 16 lines D0 to D15 comprise the data bus. Do not change the input level on the BYTE pin while in operation.

7.2.3 Chip Select Signal

The chip select (hereafter referred to as the \overline{CS}) signals are output from the \overline{CS}_i ($i = 0$ to 3) pins. These pins can be chosen to function as I/O ports or as \overline{CS} by using the CS_i bit in the CSR register. Figure 7.1 shows the CSR Register.

During 1 Mbyte mode, the external area can be separated into up to 4 by the \overline{CS}_i signal which is output from the \overline{CS}_i pin.

Figure 7.2 shows the Example of Address Bus and \overline{CS}_i Signal Output.

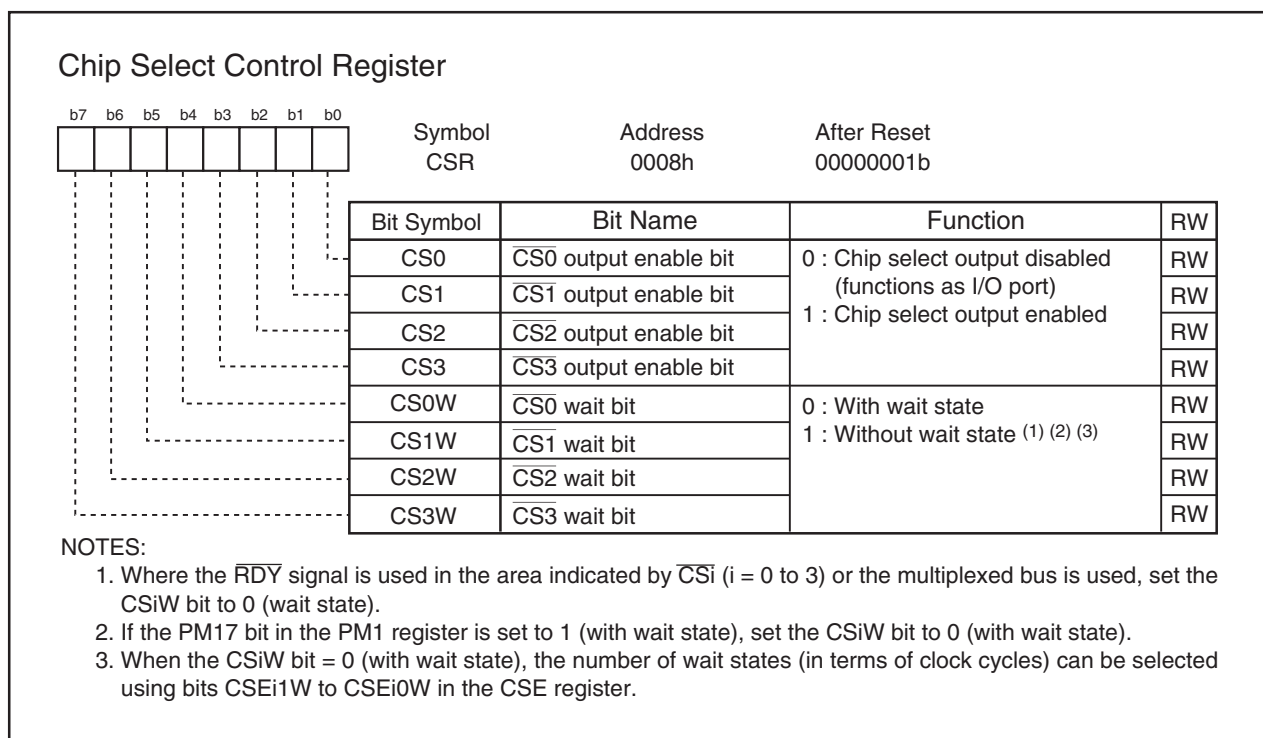


Figure 7.1 CSR Register

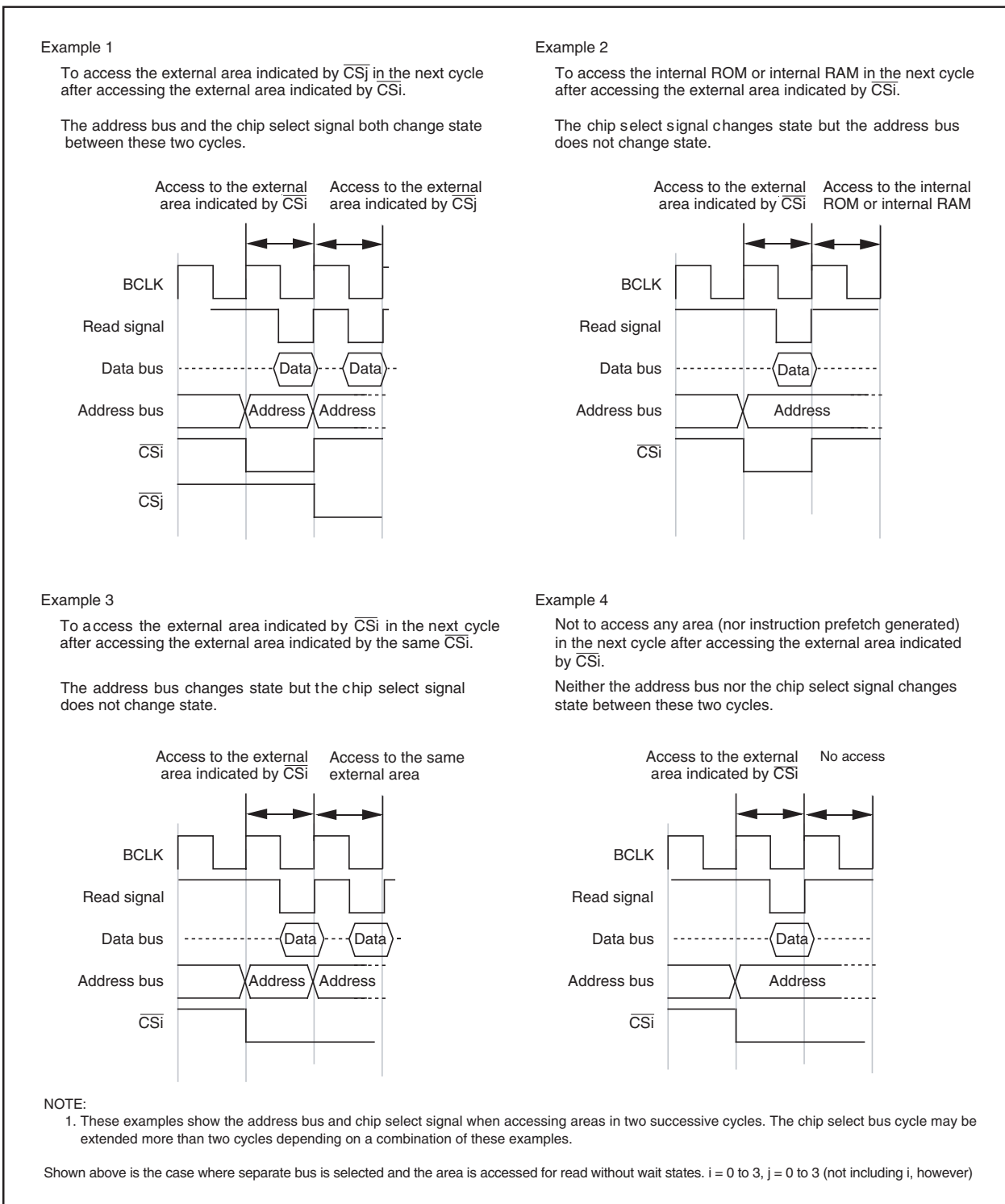


Figure 7.2 Example of Address Bus and CSi Signal Output

7.2.4 Read and Write Signals

When the data bus is 16-bit width, the read and write signals can be chosen to be a combination of \overline{RD} , \overline{WR} , and \overline{BHE} or a combination of \overline{RD} , \overline{WRL} , and \overline{WRH} by using the PM02 bit in the PM0 register. When the data bus is 8-bit width, use a combination of \overline{RD} , \overline{WR} , and \overline{BHE} .

Table 7.3 shows the Operation of \overline{RD} , \overline{WRL} , and \overline{WRH} Signals. Table 7.4 shows the Operation of \overline{RD} , \overline{WR} , and \overline{BHE} Signals.

Table 7.3 Operation of \overline{RD} , \overline{WRL} , and \overline{WRH} Signals

Data Bus Width	RD	WRL	WRH	Status of External Data Bus
16 bits (BYTE pin input = L)	L	H	H	Read data
	H	L	H	Write 1 byte of data to an even address
	H	H	L	Write 1 byte of data to an odd address
	H	L	L	Write data to both even and odd addresses

Table 7.4 Operation of \overline{RD} , \overline{WR} , and \overline{BHE} Signals

Data Bus Width	RD	WR	BHE	A0	Status of External Data Bus
16 bits (BYTE pin input = L)	H	L	L	H	Write 1 byte of data to an odd address
	L	H	L	H	Read 1 byte of data from an odd address
	H	L	H	L	Write 1 byte of data to an even address
	L	H	H	L	Read 1 byte of data from an even address
	H	L	L	L	Write data to both even and odd addresses
	L	H	L	L	Read data from both even and odd addresses
8 bits (BYTE pin input = H)	H	L	Not used	H to L	Write 1 byte of data
	L	H	Not used	H to L	Read 1 byte of data

7.2.5 ALE Signal

The ALE signal latches the address when accessing the multiplexed bus space. Latch the address when the ALE signal falls.

Figure 7.3 shows the ALE Signal, Address Bus and Data Bus.

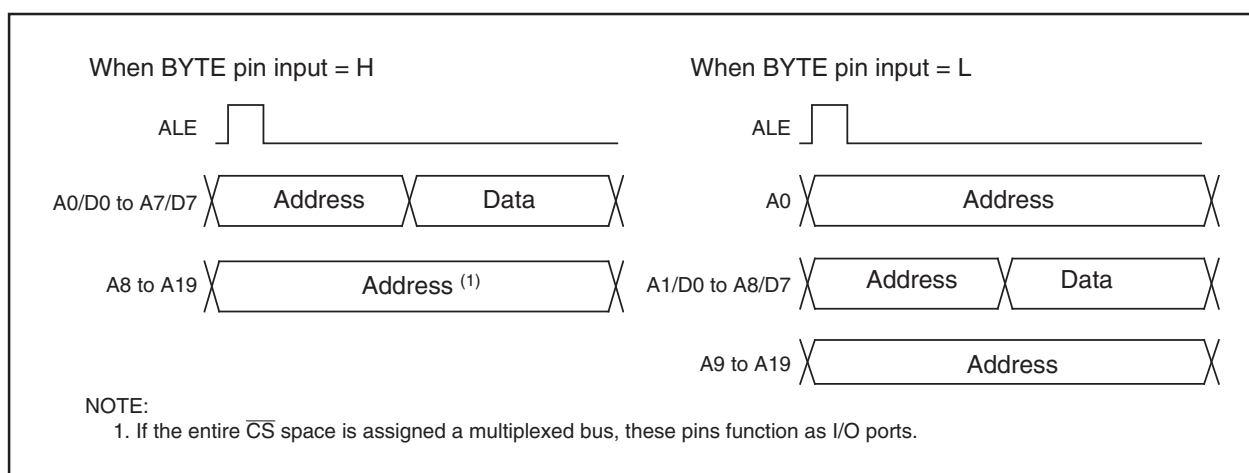


Figure 7.3 ALE Signal, Address Bus, and Data Bus

7.2.6 $\overline{\text{RDY}}$ Signal

This signal is provided for accessing external devices which need to be accessed at low speed. If input on the $\overline{\text{RDY}}$ pin is asserted low at the last falling edge of BCLK of the bus cycle, one wait state is inserted in the bus cycle. While in a wait state, the following signals retain the state in which they were when the $\overline{\text{RDY}}$ signal was acknowledged.

A0 to A19, D0 to D15, $\overline{\text{CS0}}$ to $\overline{\text{CS3}}$, $\overline{\text{RD}}$, $\overline{\text{WRL}}$, $\overline{\text{WRH}}$, $\overline{\text{WR}}$, $\overline{\text{BHE}}$, $\overline{\text{ALE}}$, $\overline{\text{HLDA}}$

Then, when the input on the $\overline{\text{RDY}}$ pin is detected high at the falling edge of BCLK, the remaining bus cycle is executed. Figure 7.4 shows an Example in which Wait State was Inserted into Read Cycle by $\overline{\text{RDY}}$ Signal. To use the $\overline{\text{RDY}}$ signal, set the corresponding bit (bits CS3W to CS0W) in the CSR register to 0 (with wait state). When not using the $\overline{\text{RDY}}$ signal, the $\overline{\text{RDY}}$ pin must be pulled-up.

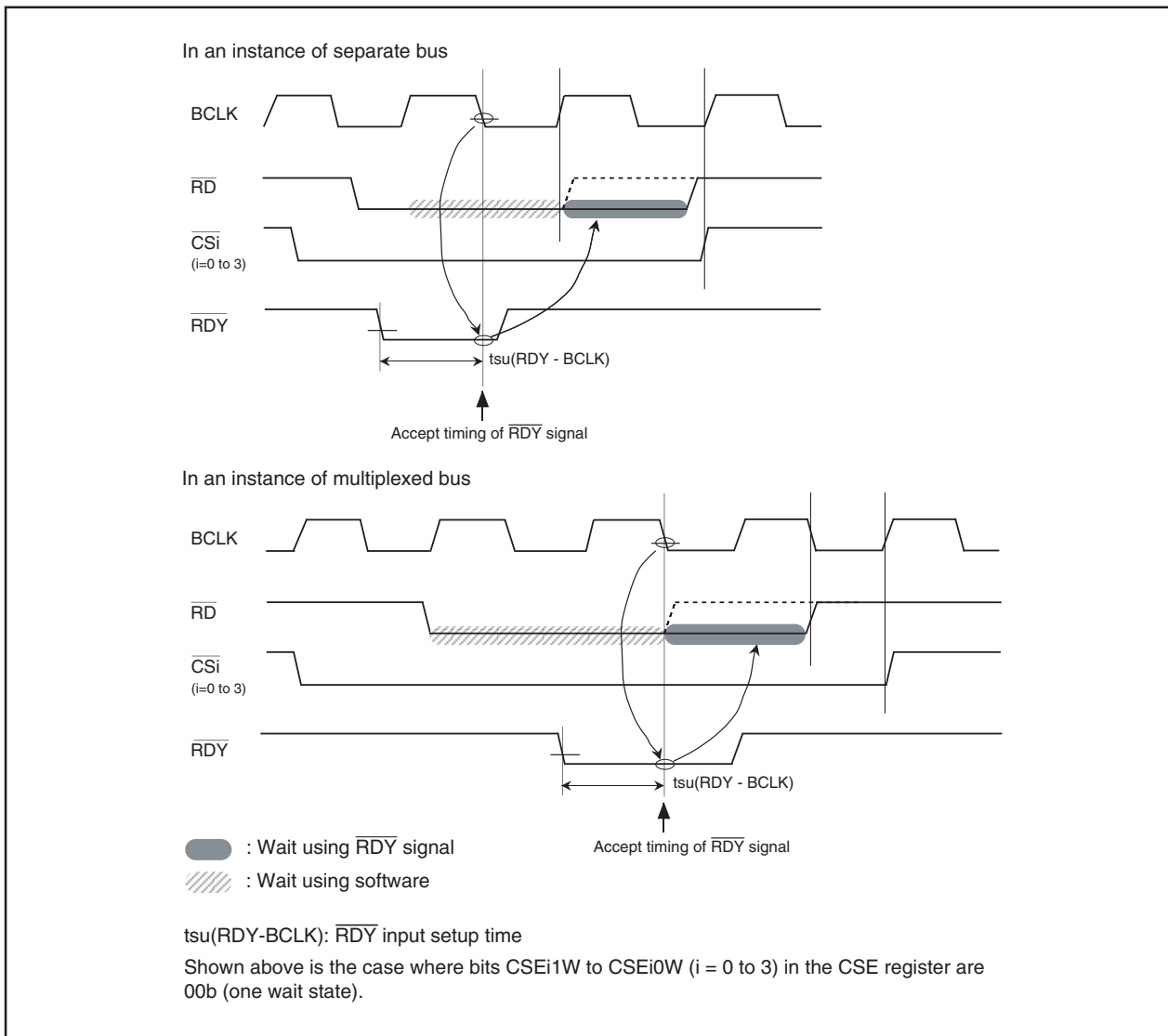


Figure 7.4 Example in which Wait State was Inserted into Read Cycle by $\overline{\text{RDY}}$ Signal

7.2.7 $\overline{\text{HOLD}}$ Signal

This signal is used to transfer control of the bus from the CPU or DMAC to an external circuit. When the input on $\overline{\text{HOLD}}$ pin is pulled low, the MCU is placed in a hold state after the bus access then in process finishes. The MCU remains in a hold state while the $\overline{\text{HOLD}}$ pin is held low, during which time the $\overline{\text{HLDA}}$ pin outputs a low-level signal.

Table 7.5 shows the MCU Status in Hold State.

Bus-using priorities are given to $\overline{\text{HOLD}}$, DMAC, and CPU in order of decreasing precedence (see **Figure 7.5 Bus-using Priorities**). However, if the CPU is accessing an odd address in word units, the DMAC cannot gain control of the bus during two separate accesses.

$\overline{\text{HOLD}} > \text{DMAC} > \text{CPU}$

Figure 7.5 Bus-using Priorities

Table 7.5 MCU Status in Hold State

Item		Status
BCLK		Output
A0 to A19, D0 to D15, CS0 to CS3, RD, WRL, WRH, WR, BHE		High-impedance
I/O ports	P0, P1, P3, P4 ⁽¹⁾	High-impedance
	P6 to P10	Maintains status when hold signal is received
$\overline{\text{HLDA}}$		Output "L"
Internal peripheral circuits		ON (but watchdog timer stops ⁽²⁾)
ALE signal		Undefined

NOTES:

1. When I/O port function is selected.
2. The watchdog timer does not stop when the PM22 bit in the PM2 register is set to 1 (the count source for the watchdog timer is the on-chip oscillator clock).

7.2.8 BCLK Output

If the PM07 bit in the PM0 register is set to 0 (output enable), a clock with the same frequency as that of the CPU clock is output as BCLK from the BCLK pin. Refer to **8.2 CPU Clock and Peripheral Function Clock**.

Table 7.6 shows the Pin Functions for Each Processor Mode.

Table 7.6 Pin Functions for Each Processor Mode

Processor Mode	Memory Expansion Mode or Microprocessor Mode				Memory Expansion Mode
Bits PM05 to PM04	00b (separate bus)		01b ($\overline{\text{CS2}}$ is for multiplexed bus and others are for separate bus) 10b ($\overline{\text{CS1}}$ is for multiplexed bus and others are for separate bus)		11b (multiplexed bus for the entire space) ⁽¹⁾
Data bus width BYTE pin	8 bits “H”	16 bits “L”	8 bits “H”	16 bits “L”	8 bits “H”
P0_0 to P0_7	D0 to D7		D0 to D7 ⁽⁴⁾		I/O ports
P1_0 to P1_7	I/O ports	D8 to D15	I/O ports	D8 to D15 ⁽⁴⁾	I/O ports
P2_0	A0		A0/D0 ⁽²⁾	A0	A0/D0
P2_1 to P2_7	A1 to A7		A1 to A7 /D1 to D7 ⁽²⁾	A1 to A7 /D0 to D6 ⁽²⁾	A1 to A7/D1 to D7
P3_0	A8			A8/D7 ⁽²⁾	A8
P3_1 to P3_3	A9 to A11				I/O ports
P3_4 to P3_7	PM11 = 0	A12 to A15			I/O ports
	PM11 = 1	I/O ports			
P4_0 to P4_3	PM06 = 0	A16 to A19			I/O ports
	PM06 = 1	I/O ports			
P4_4	CS0 = 0	I/O ports			
	CS0 = 1	$\overline{\text{CS0}}$			
P4_5	CS1 = 0	I/O ports			
	CS1 = 1	CS1			
P4_6	CS2 = 0	I/O ports			
	CS2 = 1	CS2			
P4_7	CS3 = 0	I/O ports			
	CS3 = 1	CS3			
P5_0	PM02 = 0	WR			
	PM02 = 1	– ⁽³⁾	$\overline{\text{WRL}}$	– ⁽³⁾	$\overline{\text{WRL}}$
P5_1	PM02 = 0	BHE			
	PM02 = 1	– ⁽³⁾	$\overline{\text{WRH}}$	– ⁽³⁾	$\overline{\text{WRH}}$
P5_2	RD				
P5_3	BCLK				
P5_4	HLDA				
P5_5	HOLD				
P5_6	ALE				
P5_7	RDY				

I/O ports: Function as I/O ports or peripheral function I/O pins.

NOTES:

- For setting bits PM01 to PM00 to 01b (memory expansion mode) and bits PM05 to PM04 to 11b (multiplexed bus assigned to the entire $\overline{\text{CS}}$ space), apply “H” to the BYTE pin (external data bus is an 8-bit width). While the CNVSS pin is held “H” (VCC), do not rewrite bits PM05 to PM04 to 11b after reset. If bits PM05 to PM04 are set to 11b during memory expansion mode, P3_1 to P3_7 and P4_0 to P4_3 become I/O ports, in which case the accessible area for each $\overline{\text{CS}}$ is 256 bytes.
- In separate bus mode, these pins serve as the address bus.
- If the data bus is 8-bit width, make sure the PM02 bit is set to 0 ($\overline{\text{RD}}$, $\overline{\text{BHE}}$, $\overline{\text{WR}}$).
- When accessing the area that uses a multiplexed bus, these pins output an undefined value during a write.

7.2.9 External Bus Status when Internal Area Accessed

Table 7.7 shows the External Bus Status When Internal Area Accessed.

Table 7.7 External Bus Status When Internal Area Accessed

Item	SFR Accessed	Internal ROM, Internal RAM Accessed
A0 to A19	Address output	Maintain status before accessed address of external area or SFR
D0 to D15	When read	High-impedance
	When write	Output data
RD, WR, WRL, WRH	RD, WR, WRL, WRH output	Output "H"
BHE	BHE output	Maintain status before accessed status of external area or SFR
CS0 to CS3	Output "H"	Output "H"
ALE	Output "L"	Output "L"

7.2.10 Software Wait

Software wait states can be inserted by using the PM17 bit in the PM1 register, bits CS0W to CS3W in the CSR register, and the CSE register. The SFR area is unaffected by these control bits. This area is always accessed in 2 BCLK or 3 BCLK cycles as determined by the PM20 bit in the PM2 register. See **Table 7.8 Bit and Bus Cycle Related to Software Wait** for details.

To use the $\overline{\text{RDY}}$ signal, set the corresponding bit of bits CS3W to CS0W to 0 (with wait state).

Figure 7.6 shows the CSE Register. Table 7.8 shows the Software Wait Related Bits and Bus Cycles. Figures 7.7 and 7.8 show the Typical Bus Timings Using Software Wait.

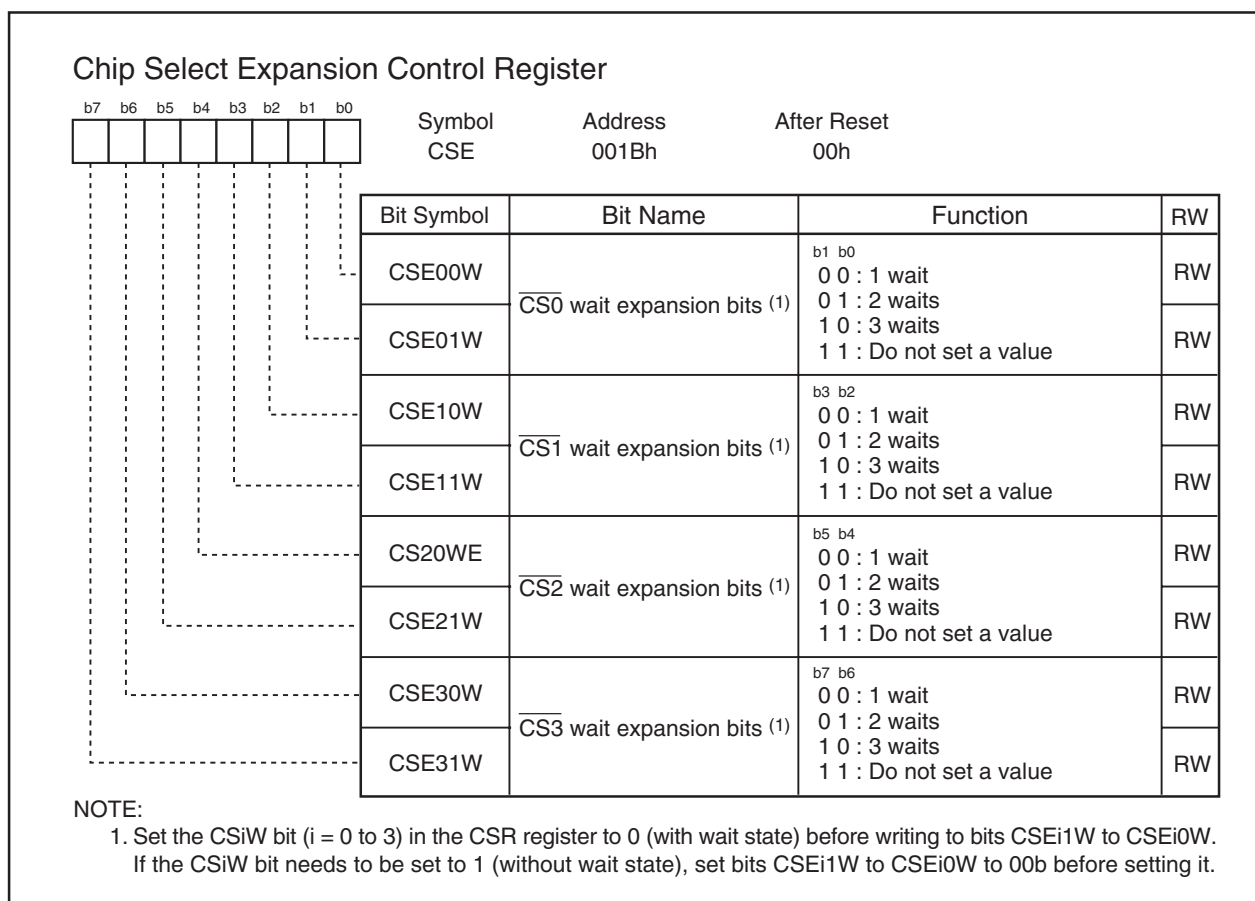


Figure 7.6 CSE Register

Table 7.8 Software Wait Related Bits and Bus Cycles

Area	Bus Mode	PM2 Register PM20 Bit	PM1 Register PM17 Bit ⁽⁵⁾	CSR Register CS3W Bit ⁽¹⁾ CS2W Bit ⁽¹⁾ CS1W Bit ⁽¹⁾ CS0W Bit ⁽¹⁾	CSE Register Bits CS31W to CS30W Bits CS21W to CS20W Bits CS11W to CS10W Bits CS01W to CS00W	Software Wait	Bus Cycle
SFR	–	0	–	–	–	–	3 BCLK cycles ⁽⁴⁾
	–	1	–	–	–	–	2 BCLK cycles ⁽⁴⁾
Internal ROM, RAM	–	–	0	–	–	No wait	1 BCLK cycle ⁽³⁾
	–	–	1	–	–	1 wait	2 BCLK cycles
External area	Separate bus	–	0	1	00b	No wait	1 BCLK cycle (read) 2 BCLK cycles (write)
		–	–	0	00b	1 wait	2 BCLK cycles ⁽³⁾
		–	–	0	01b	2 waits	3 BCLK cycles
		–	–	0	10b	3 waits	4 BCLK cycles
		–	1	0	00b	1 wait	2 BCLK cycles
	Multiplexed bus ⁽²⁾	–	–	0	00b	1 wait	3 BCLK cycles
		–	–	0	01b	2 waits	3 BCLK cycles
		–	–	0	10b	3 waits	4 BCLK cycles
		–	1	0	00b	1 wait	3 BCLK cycles

NOTES:

1. To use the $\overline{\text{RDY}}$ signal, set this bit to 0.
2. To access in multiplexed bus mode, set the corresponding bit of bits CS0W to CS3W to 0 (with wait state).
3. After reset, the PM17 bit is set to 0 (without wait state), all of bits CS0W to CS3W are set to 0 (with wait state), and the CSE register is set to 00h (one wait state for CS0 to CS3). Therefore, the internal RAM and internal ROM are accessed with no wait state, and all external areas are accessed with one wait state.
4. When the selected CPU clock source is the PLL clock, the number of wait cycles can be altered by the PM20 bit in the PM2 register. When using PLL clock over 16 MHz, be sure to set the PM20 bit to 0 (2 wait cycles).
5. When the PM17 bit is set to 1 and access an external area, set the CSiW bits (i = 0 to 3) to 0 (with wait state).

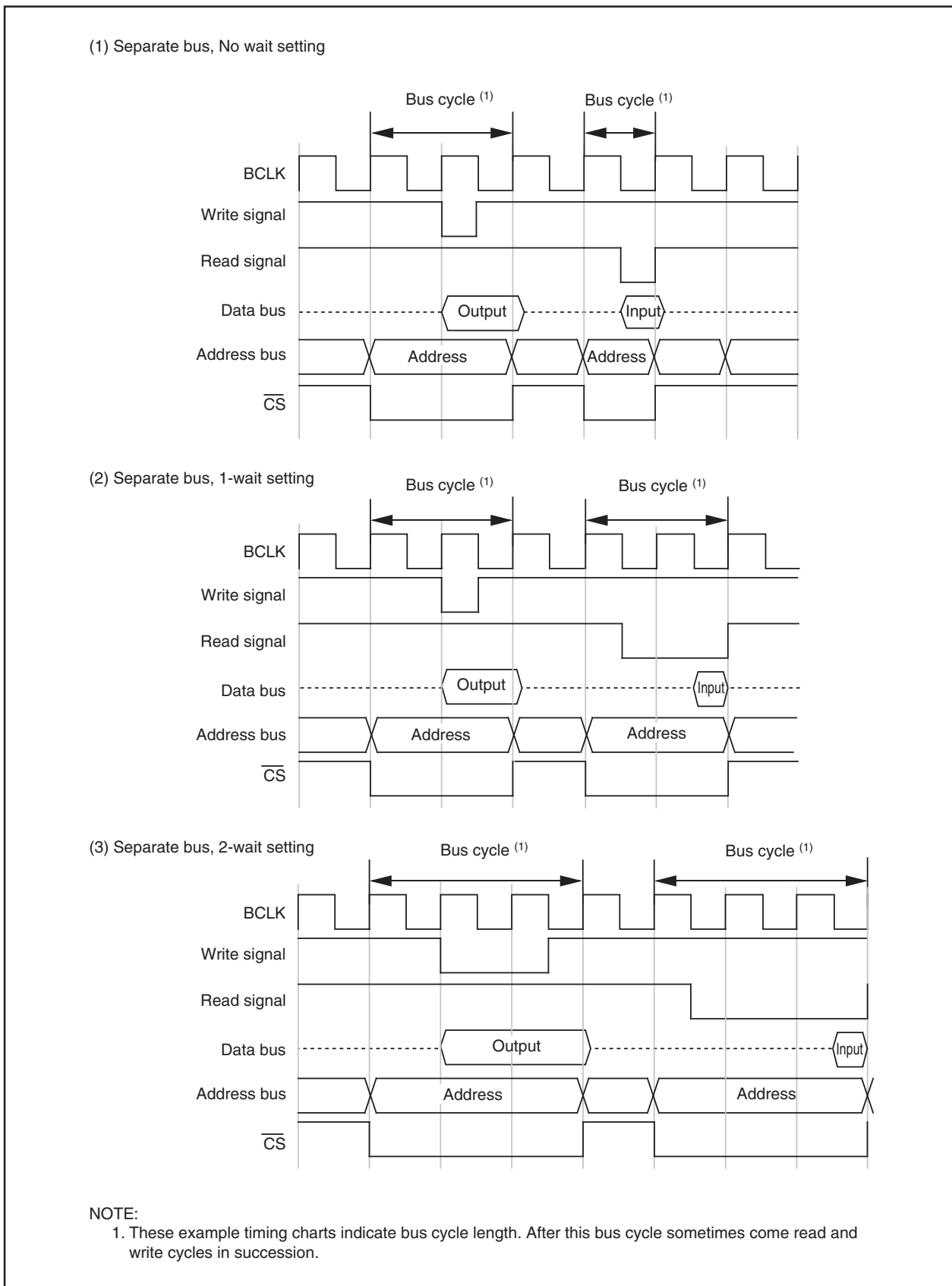


Figure 7.7 Typical Bus Timings Using Software Wait (1)

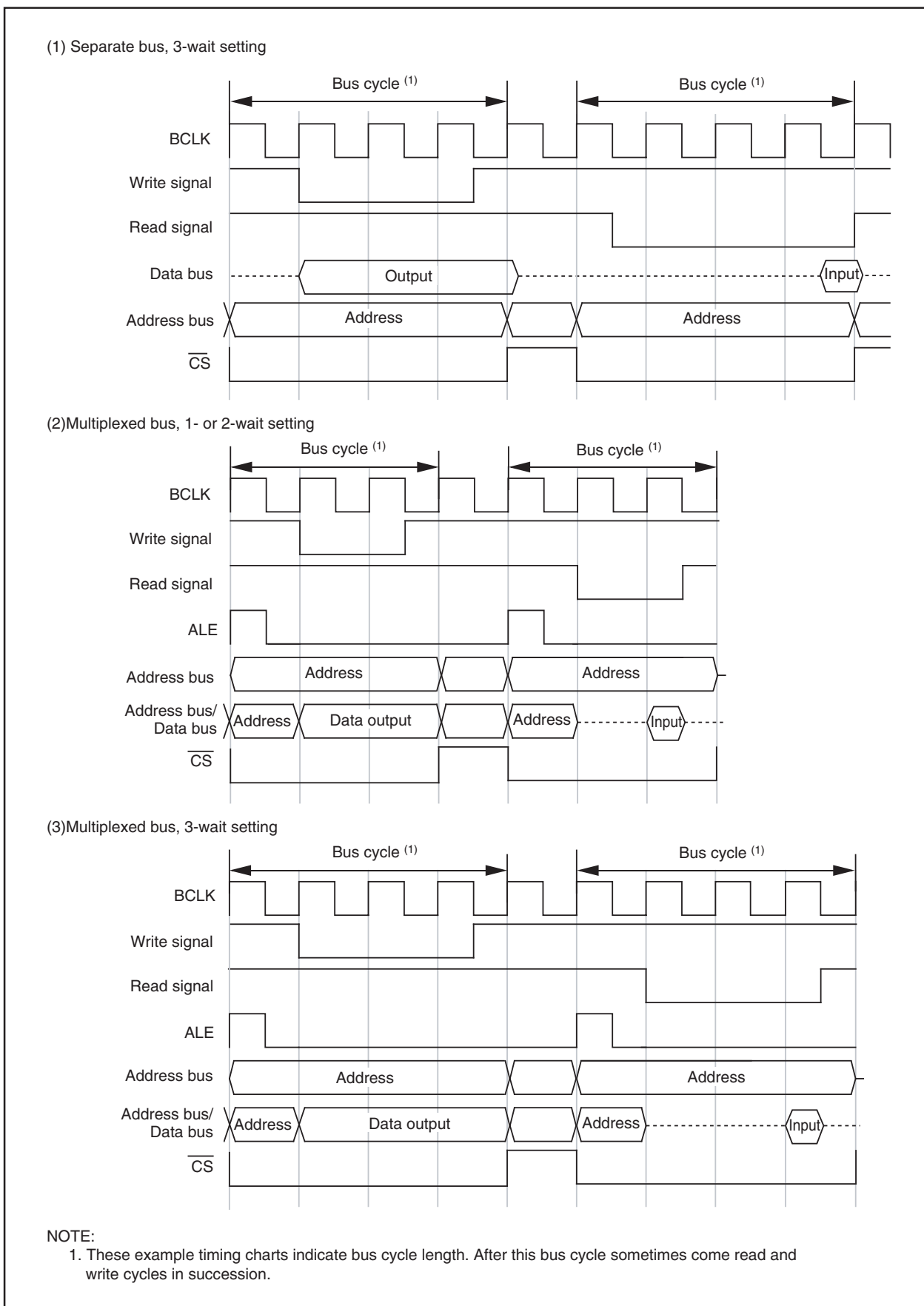


Figure 7.8 Typical Bus Timings Using Software Wait (2)

8. Clock Generation Circuit

8.1 Types of Clock Generation Circuit

Four circuits are incorporated to generate the system clock signal:

- Main clock oscillation circuit
- Sub clock oscillation circuit
- On-chip oscillator
- PLL frequency synthesizer

Table 8.1 lists the Clock Generation Circuit Specifications. Figure 8.1 shows the Clock Generation Circuit. Figures 8.2 to 8.8 show the clock-related registers.

Table 8.1 Clock Generation Circuit Specifications

Item	Main Clock Oscillation Circuit	Sub Clock Oscillation Circuit	On-chip Oscillator	PLL Frequency Synthesizer
Use of clock	<ul style="list-style-type: none"> • CPU clock source • Peripheral function clock source 	<ul style="list-style-type: none"> • CPU clock source • Clock source of timer A, B 	<ul style="list-style-type: none"> • CPU clock source • Peripheral function clock source • CPU and peripheral function clock sources when the main clock stops oscillating 	<ul style="list-style-type: none"> • CPU clock source • Peripheral function clock source
Clock frequency	0 to 16 MHz	32.768 kHz	About 1 MHz	16 MHz, 20 MHz, 24 MHz ⁽¹⁾
Usable oscillator	<ul style="list-style-type: none"> •Ceramic oscillator •Crystal oscillator 	•Crystal oscillator	-	-
Pins to connect oscillator	XIN, XOUT	XCIN, XCOU	-	-
Oscillation stop and re-oscillation detection function	Available	Available	Available	Available
Oscillation status after reset	Oscillating	Stopped	Stopped	Stopped
Other	Externally derived clock can be input		-	-

NOTE:

1. 24 MHz is available Normal-ver. only.

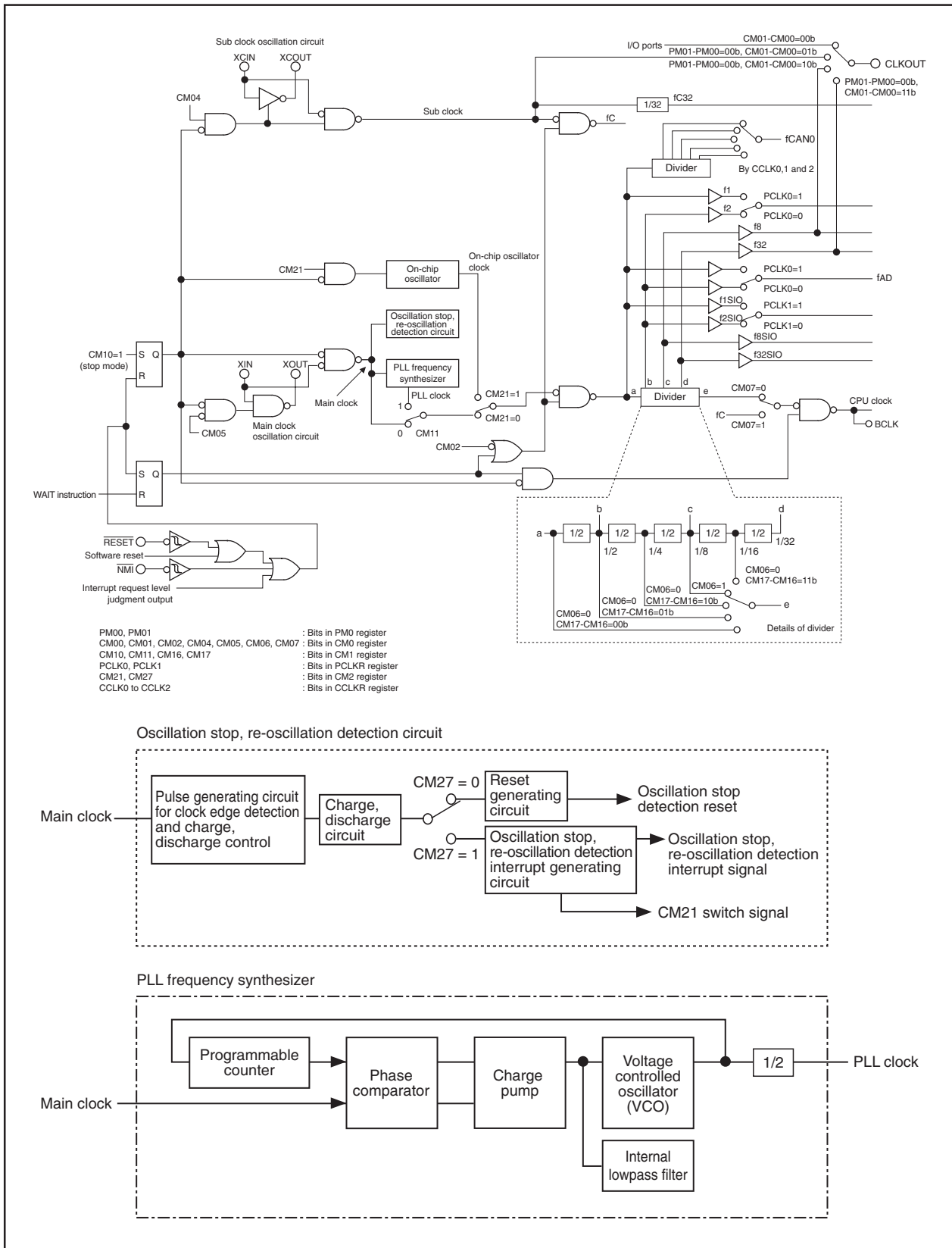


Figure 8.1 Clock Generation Circuit

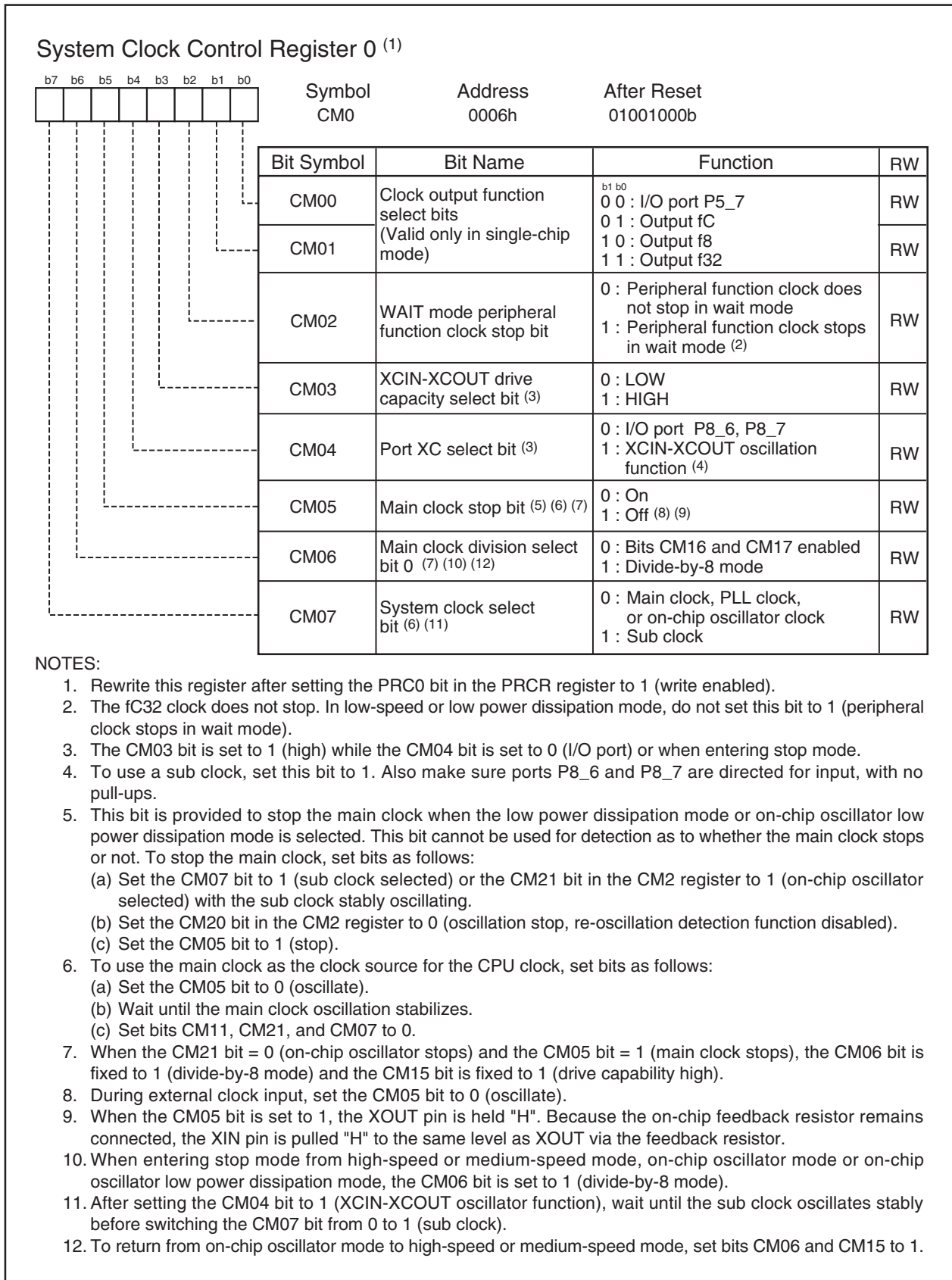


Figure 8.2 CM0 Register

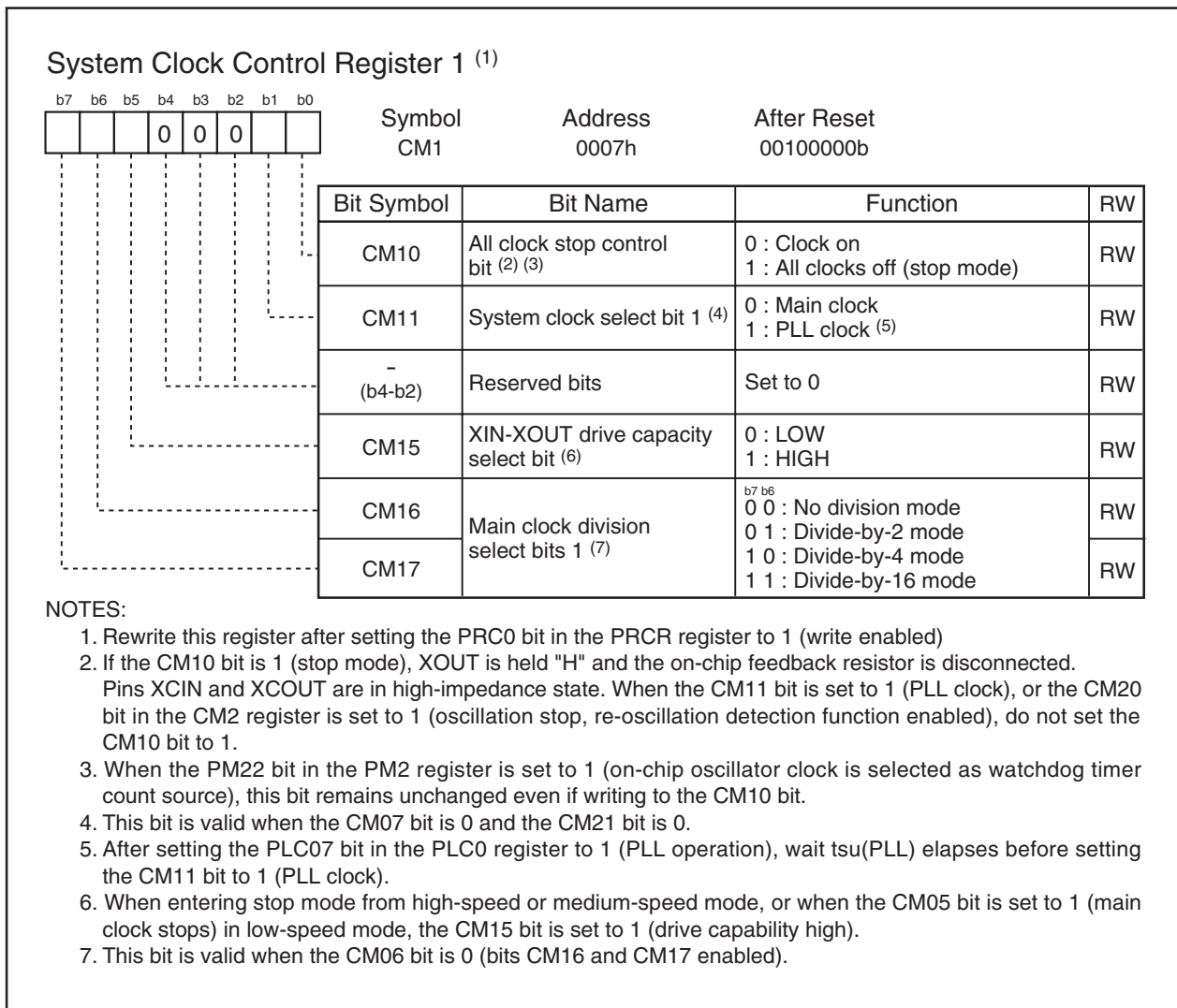


Figure 8.3 CM1 Register

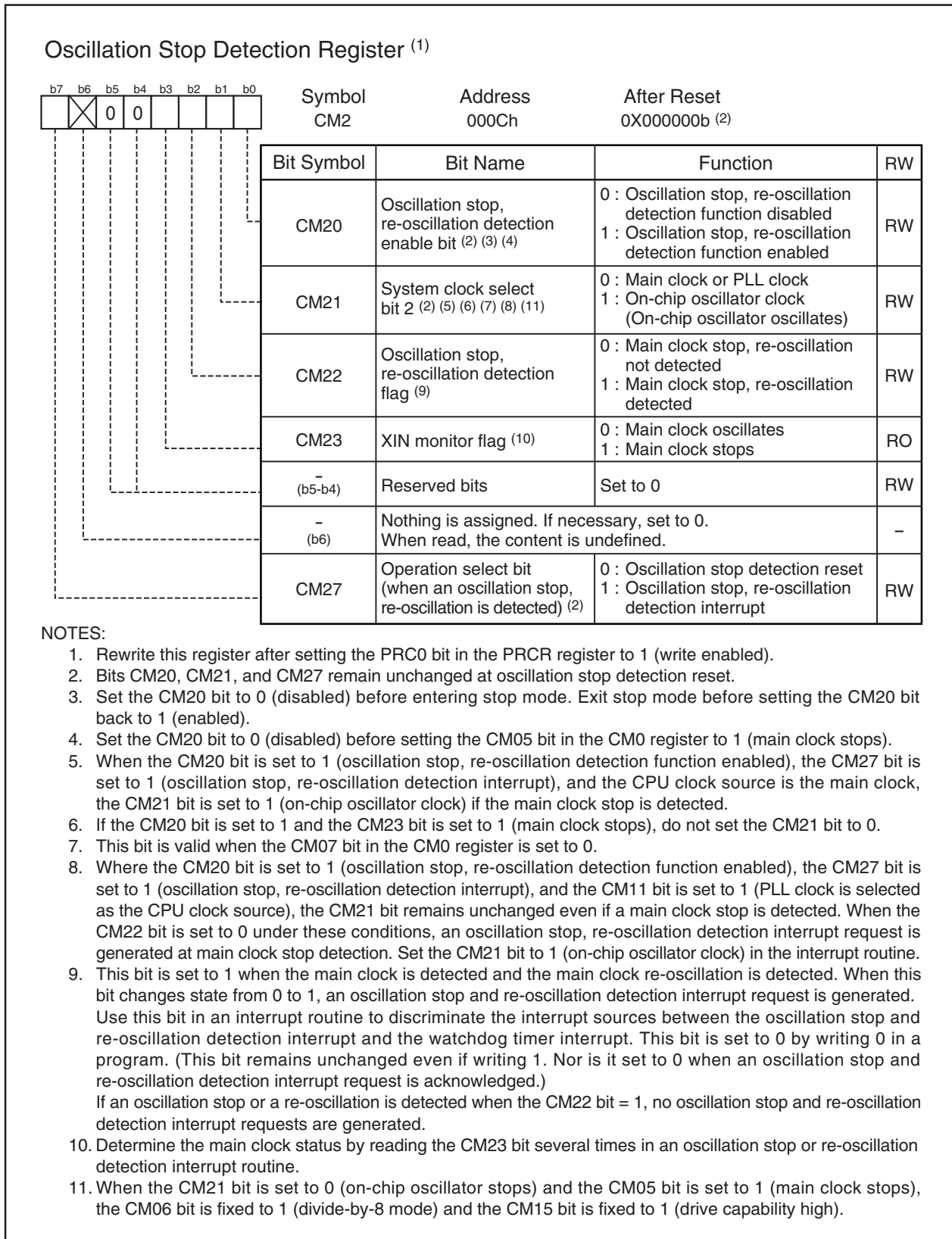


Figure 8.4 CM2 Register

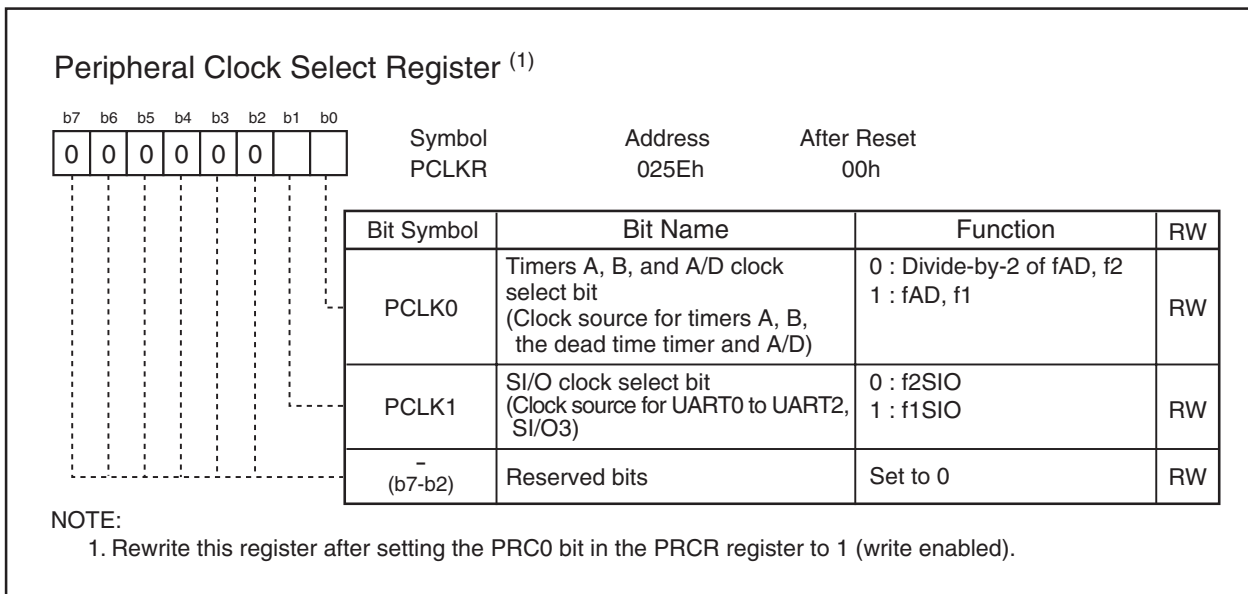


Figure 8.5 PCLKR Register

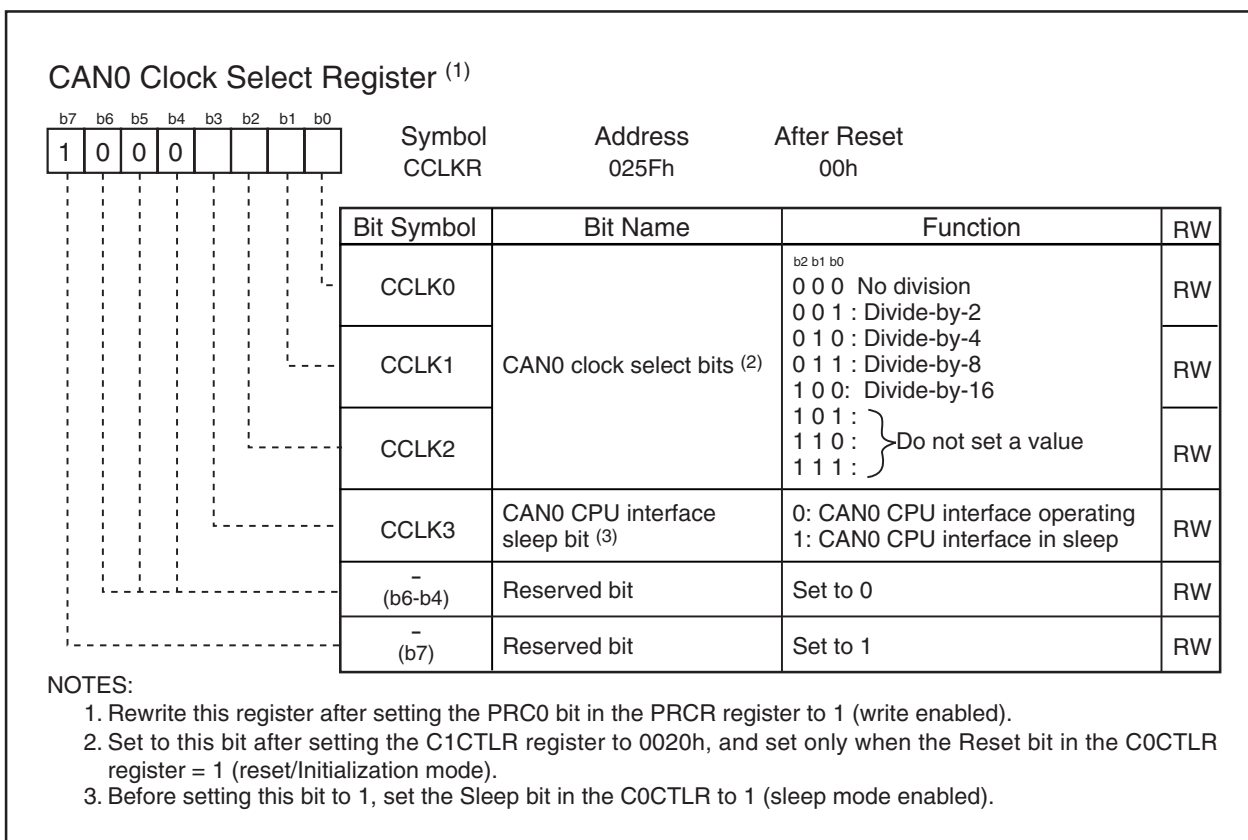


Figure 8.6 CCLKR Register

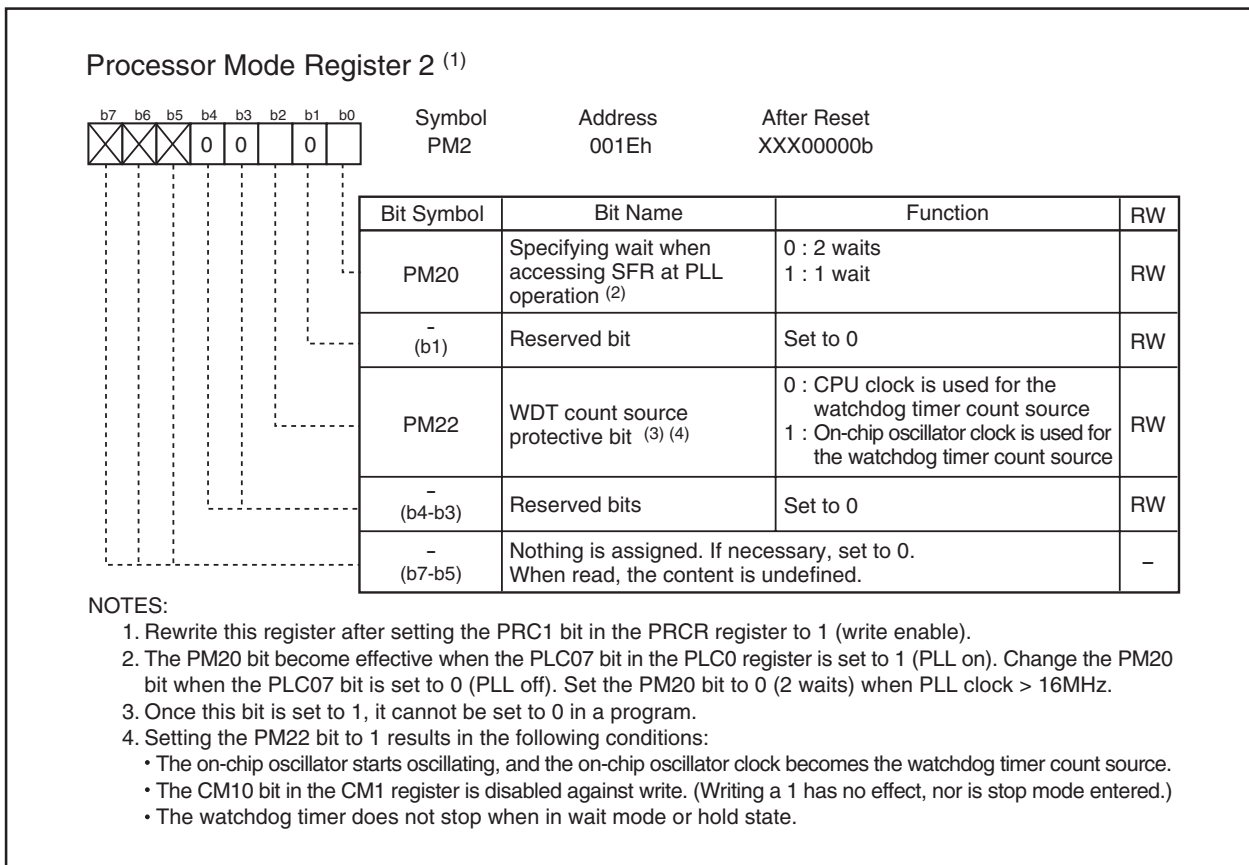


Figure 8.7 PM2 Register

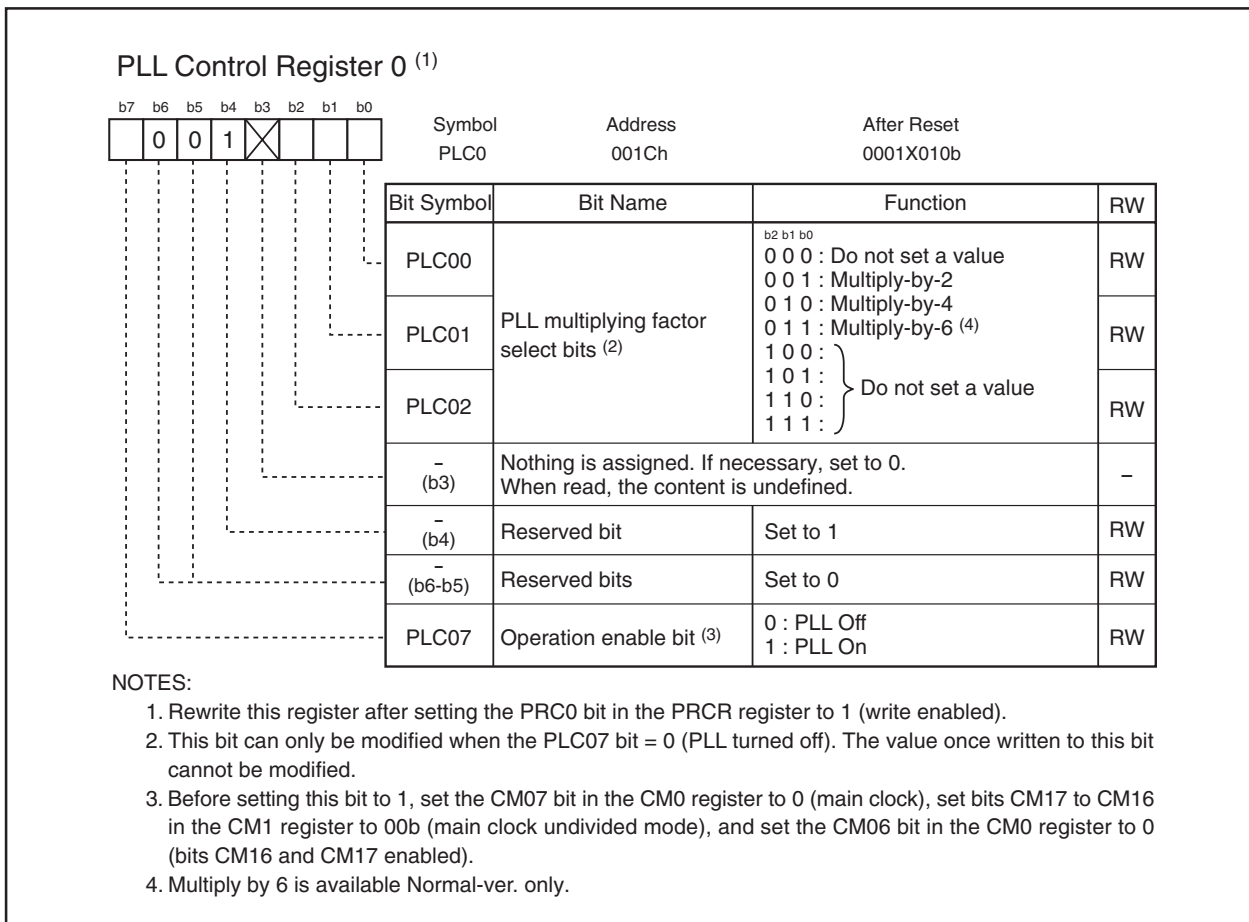


Figure 8.8 PLC0 Register

The following describes the clocks generated by the clock generation circuit.

8.1.1 Main Clock

The main clock is generated by the main clock oscillation circuit. This clock is used as the clock source for the CPU and peripheral function clocks. The main clock oscillation circuit is configured by connecting a resonator between pins XIN and XOUT. The main clock oscillation circuit has an on-chip feedback resistor, which is disconnected from the oscillation circuit during stop mode in order to reduce the amount of power consumed in the chip. The main clock oscillation circuit may also be configured by feeding an externally generated clock to the XIN pin. Figure 8.9 shows an Examples of Main Clock Connection Circuit.

After reset, the main clock divided by 8 is selected for the CPU clock.

The power consumption in the chip can be reduced by setting the CM05 bit in the CM0 register to 1 (main clock oscillation circuit turned off) after switching the clock source for the CPU clock to a sub clock or on-chip oscillator clock. In this case, XOUT goes "H". Furthermore, because an on-chip feedback resistor remains on, XIN is pulled "H" to XOUT via the feedback resistor. Note, that if an externally generated clock is fed into the XIN pin, the main clock cannot be turned off by setting the CM05 bit to 1, unless the sub clock is selected as a CPU clock. If necessary, use an external circuit to turn off the clock.

During stop mode, all clocks including the main clock are turned off. Refer to **8.4 Power Control**.

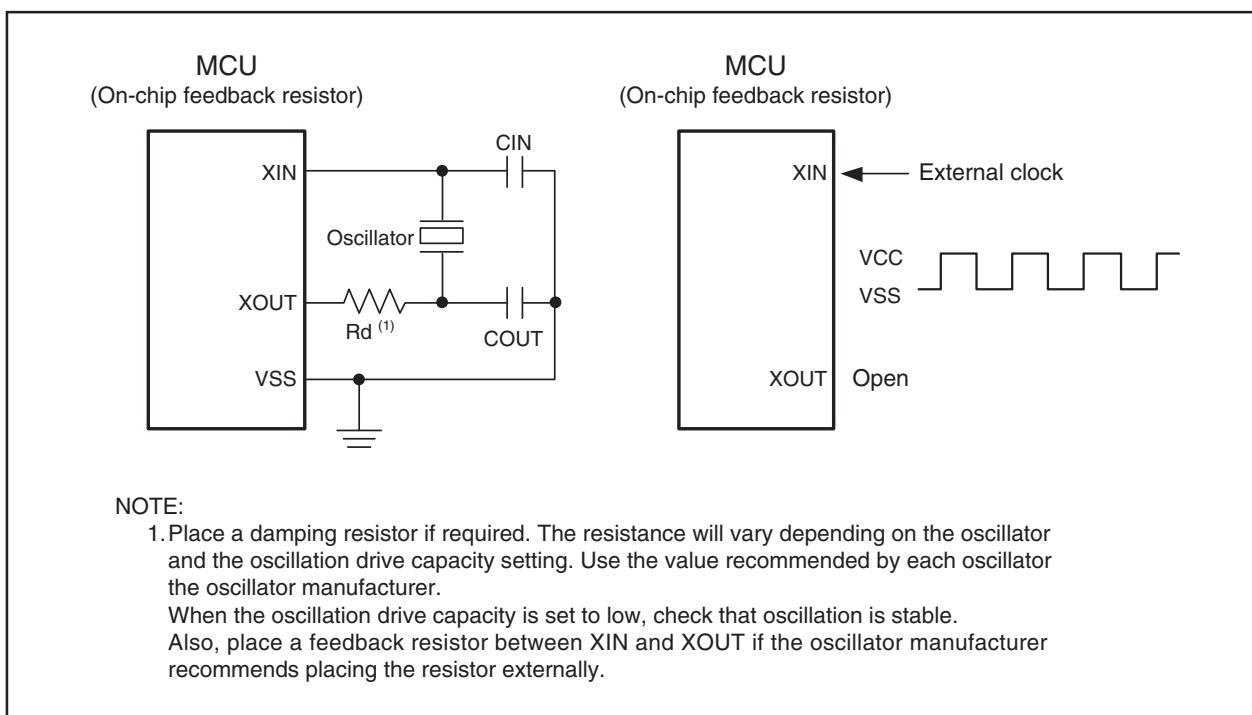


Figure 8.9 Examples of Main Clock Connection Circuit

8.1.2 Sub Clock

The sub clock is generated by the sub clock oscillation circuit. This clock is used as the clock source for the CPU clock, as well as the timer A and timer B count sources. In addition, an fC clock with the same frequency as that of the sub clock can be output from the CLKOUT pin.

The sub clock oscillation circuit is configured by connecting a crystal resonator between pins XCIN and XCOUT. The sub clock oscillation circuit has an on-chip feedback resistor, which is disconnected from the oscillation circuit during stop mode in order to reduce the amount of power consumed in the chip. The sub clock oscillation circuit may also be configured by feeding an externally generated clock to the XCIN pin. Figure 8.10 shows an Examples of Sub Clock Connection Circuit.

After reset, the sub clock is turned off. At this time, the feedback resistor is disconnected from the oscillation circuit.

To use the sub clock for the CPU clock, set the CM07 bit in the CM0 register to 1 (sub clock) after the sub clock becomes oscillating stably.

During stop mode, all clocks including the sub clock are turned off. Refer to **8.4 Power Control**.

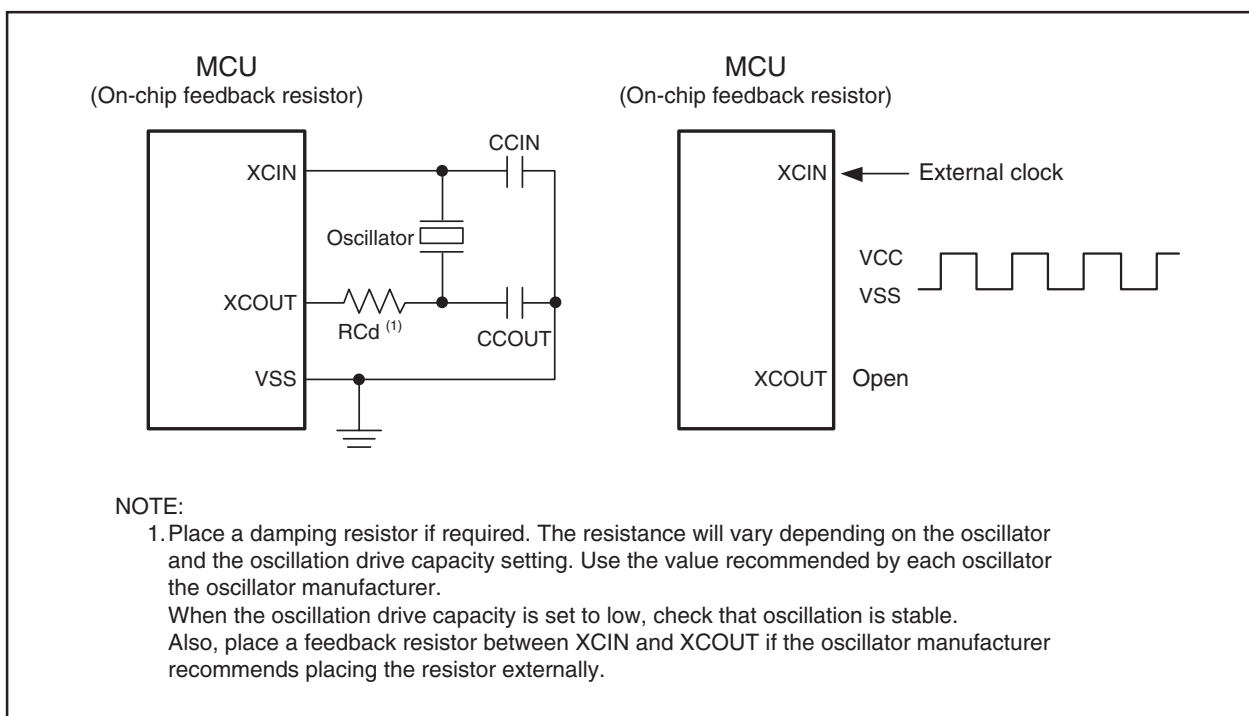


Figure 8.10 Examples of Sub Clock Connection Circuit

8.1.3 On-chip Oscillator Clock

This clock, approximately 1 MHz, is supplied by a on-chip oscillator. This clock is used as the clock source for the CPU and peripheral function clocks. In addition, if the PM22 bit in the PM2 register is 1 (on-chip oscillator clock for the watchdog timer count source), this clock is used as the count source for the watchdog timer (refer to **11.1 Count Source Protective Mode**).

After reset, the on-chip oscillator is turned off. It is turned on by setting the CM21 bit in the CM2 register to 1 (on-chip oscillator clock), and is used as the clock source for the CPU and peripheral function clocks, in place of the main clock. If the main clock stops oscillating when the CM20 bit in the CM2 register is 1 (oscillation stop, re-oscillation detection function enabled) and the CM27 bit is 1 (oscillation stop, re-oscillation detection interrupt), the on-chip oscillator automatically starts operating, supplying the necessary clock for the MCU.

8.1.4 PLL Clock

The PLL clock is generated PLL frequency synthesizer. This clock is used as the clock source for the CPU and peripheral function clocks. After reset, the PLL clock is turned off. The PLL frequency synthesizer is activated by setting the PLC07 bit to 1 (PLL operation). When the PLL clock is used as the clock source for the CPU clock, wait $t_{su}(PLL)$ for the PLL clock to be stable, and then set the CM11 bit in the CM1 register to 1.

Before entering wait mode or stop mode, be sure to set the CM11 bit to 0 (CPU clock source is the main clock). Furthermore, before entering stop mode, be sure to set the PLC07 bit in the PLC0 register to 0 (PLL stops). Figure 8.11 shows the Procedure to Use PLL Clock as CPU Clock Source.

The PLL clock frequency is determined by the equation below. When the PLL clock frequency is 16 MHz or more, set the PM20 bit in the PM2 register to 0 (2 waits).

$$\text{PLL clock frequency} = f(XIN) \times (\text{multiplying factor set by bits PLC02 to PLC00 in the PLC0 register})$$

(However, PLL clock frequency = 16 MHz, 20 MHz or 24 MHz ⁽¹⁾)

NOTE:

1. 24 MHz is available Normal-ver. only.

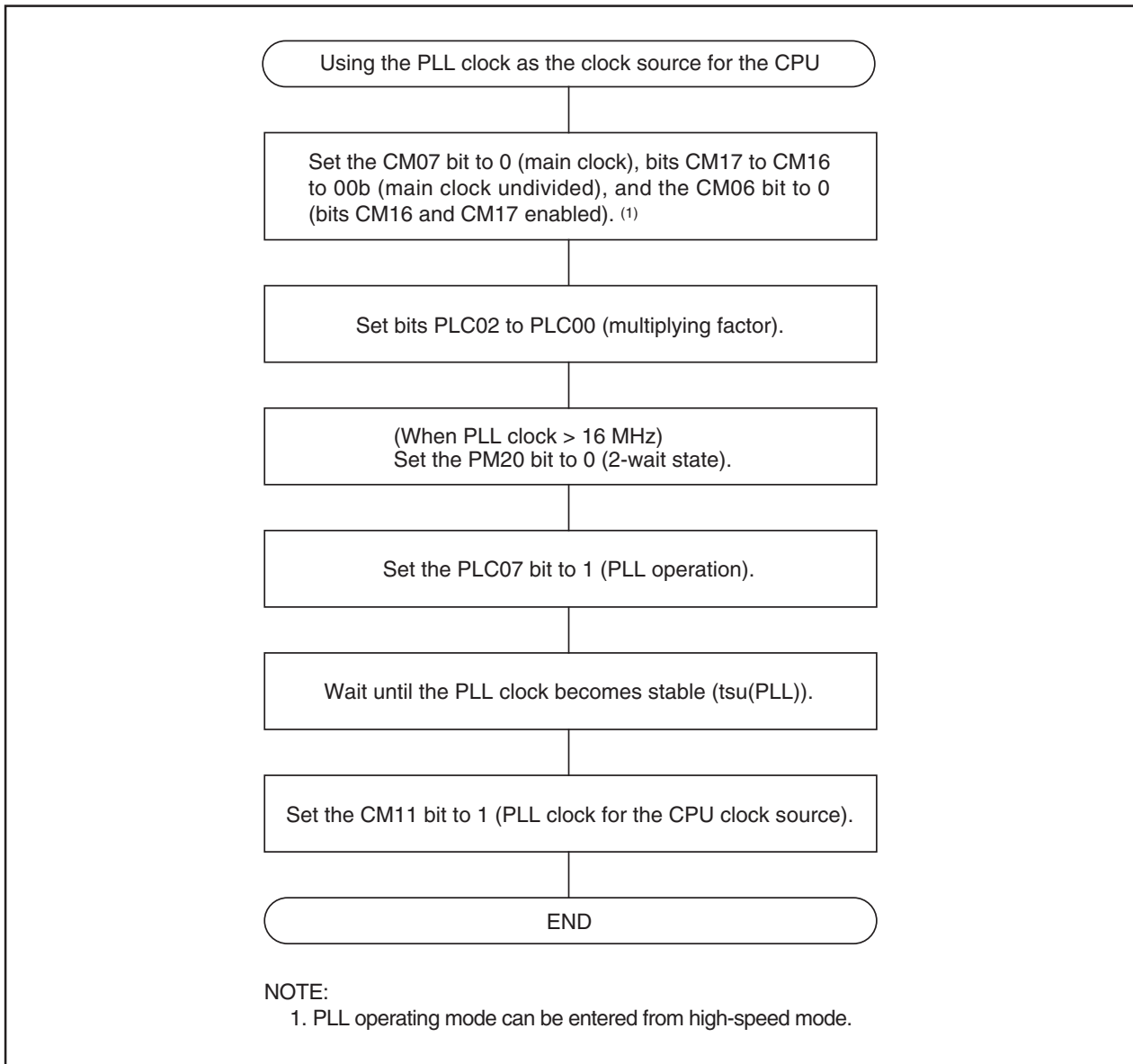
Bits PLC02 to PLC00 can be set only once after reset. Table 8.2 shows an Example for Setting PLL Clock Frequencies.

Table 8.2 Example for Setting PLL Clock Frequencies

XIN (MHz)	PLC02	PLC01	PLC00	Multiply Factor	PLL Clock (MHz) ⁽¹⁾
8	0	0	1	2	16
4	0	1	0	4	
10	0	0	1	2	20
5	0	1	0	4	
12	0	0	1	2	24 ⁽²⁾
6	0	1	0	4	
4	0	1	1	6 ⁽³⁾	

NOTES:

1. PLL clock frequency = 16 MHz , 20 MHz or 24 MHz
2. 24 MHz is available Normal-ver. only.
3. Multiply by 6 is available Normal-ver. only.

**Figure 8.11 Procedure to Use PLL Clock as CPU Clock Source**

8.2 CPU Clock and Peripheral Function Clock

Two type clocks: CPU clock to operate the CPU and peripheral function clocks to operate the peripheral functions.

8.2.1 CPU Clock and BCLK

These are operating clocks for the CPU and watchdog timer.

The clock source for the CPU clock can be chosen to be the main clock, sub clock, on-chip oscillator clock or the PLL clock.

If the main clock or on-chip oscillator clock is selected as the clock source for the CPU clock, the selected clock source can be divided by 1 (undivided), 2, 4, 8, or 16 to produce the CPU clock. Use the CM06 bit in the CM0 register and bits CM17 to CM16 in the CM1 register to select the divide-by-n value.

When the PLL clock is selected as the clock source for the CPU clock, the CM06 bit should be set to 0 and bits CM17 to CM16 to 00b (undivided).

After reset, the main clock divided by 8 provides the CPU clock.

During memory expansion or microprocessor mode, a BCLK signal with the same frequency as the CPU clock can be output from the BCLK pin by setting the PM07 bit of PM0 register to 0 (output enabled).

Note that when entering stop mode from high-speed or medium-speed mode, on-chip oscillator mode or on-chip oscillator low power dissipation mode, or when the CM05 bit in the CM0 register is set to 1 (main clock turned off) in low-speed mode, the CM06 bit in the CM0 register is set to 1 (divide-by-8 mode).

8.2.2 Peripheral Function Clock (f1, f2, f8, f32, f1SIO, f2SIO, f8SIO, f32SIO, fAD, fCAN0, fC32)

These are operating clocks for the peripheral functions.

Two of these, f_i ($i = 1, 2, 8, 32$) and $f_i\text{SIO}$ are derived from the main clock, PLL clock or on-chip oscillator clock by dividing them by i . The clock f_i is used for timers A and B, and $f_i\text{SIO}$ is used for serial interface. The f_8 and f_{32} clocks can be output from the CLKOUT pin.

The f_{AD} clock is produced from the main clock, PLL clock or on-chip oscillator clock, and is used for the A/D converter.

The f_{CAN0} clock is derived from the main clock, PLL clock or on-chip oscillator clock by dividing them by 1 (undivided), 2, 4, 8, or 16, and is used for the CAN module.

When the WAIT instruction is executed after setting the CM02 bit in the CM0 register to 1 (peripheral function clock turned off during wait mode), or when the MCU is in low power dissipation mode, the f_i , $f_i\text{SIO}$, f_{AD} , and f_{CAN0} clocks are turned off ⁽¹⁾.

The f_{C32} clock is produced from the sub clock, and is used for timers A and B. This clock can be used when the sub clock is on.

NOTE:

1. f_{CAN0} clock stops at "H" in CAN0 sleep mode.

8.3 Clock Output Function

During single-chip mode, the f_8 , f_{32} , or f_{C} clock can be output from the CLKOUT pin. Use bits CM01 to CM00 in the CM0 register to select.

8.4 Power Control

Normal operating mode, wait mode and stop mode are provided as the power consumption control. All mode states, except wait mode and stop mode, are called normal operating mode in this document.

8.4.1 Normal Operating Mode

Normal operating mode is further classified into seven sub modes.

In normal operating mode, because the CPU clock and the peripheral function clocks both are on, the CPU and the peripheral functions are operating. Power control is exercised by controlling the CPU clock frequency. The higher the CPU clock frequency, the greater the processing capability. The lower the CPU clock frequency, the smaller the power consumption in the chip. If the unnecessary oscillator circuits are turned off, the power consumption is further reduced.

Before the clock sources for the CPU clock can be switched over, the new clock source to which switched must be oscillating stably. If the new clock source is the main clock, sub clock or PLL clock, allow a sufficient wait time in a program until it becomes oscillating stably.

Note that operating modes cannot be changed directly from low speed or low power dissipation mode to on-chip oscillator or on-chip oscillator low power dissipation mode. Nor can operating modes be changed directly from on-chip oscillator or on-chip oscillator low power dissipation mode to low-speed or low power dissipation mode. Where the CPU clock source is changed from the on-chip oscillator to the main clock, change the operating mode to the medium-speed mode (divide-by-8 mode) after the clock was divided by 8 (the CM06 bit in the CM0 register was set to 1) in the on-chip oscillator mode.

8.4.1.1 High-Speed Mode

The main clock divided by 1 provides the CPU clock. If the sub clock is on, fC32 can be used as the count source for timers A and B.

8.4.1.2 PLL Operating Mode

The main clock multiplied by 2, 4, or 6⁽¹⁾ provides the PLL clock, and this PLL clock serves as the CPU clock. If the sub clock is on, fC32 can be used as the count source for timers A and B. PLL operating mode can be entered from high speed mode. If PLL operating mode is to be changed to wait or stop mode, first go to high speed mode before changing.

NOTE:

1. The main clock multiplied by 6 is available Normal-ver. only.

8.4.1.3 Medium-Speed Mode

The main clock divided by 2, 4, 8, or 16 provides the CPU clock. If the sub clock is on, fC32 can be used as the count source for timers A and B.

8.4.1.4 Low-Speed Mode

The sub clock provides the CPU clock. The main clock is used as the clock source for the peripheral function clock when the CM21 bit in the CM2 register is set to 0 (on-chip oscillator turned off), and the on-chip oscillator clock is used when the CM21 bit is set to 1 (on-chip oscillator oscillating).

The fC32 clock can be used as the count source for timers A and B.

8.4.1.5 Low Power Dissipation Mode

In this mode, the main clock is turned off after being placed in low speed mode. The sub clock provides the CPU clock. The fC32 clock can be used as the count source for timers A and B.

Simultaneously when this mode is selected, the CM06 bit in the CM0 register becomes 1 (divide-by-8 mode). In the low power dissipation mode, do not change the CM06 bit. Consequently, the medium speed (divide-by-8) mode is to be selected when the main clock is operated next.

8.4.1.6 On-chip Oscillator Mode

The on-chip oscillator clock divided by 1 (undivided), 2, 4, 8 or 16 provides the CPU clock. The on-chip oscillator clock is also the clock source for the peripheral function clocks. If the sub clock is on, fC32 can be used as the count source for timers A and B. When the operating mode is returned to the high-speed and medium-speed modes, set the CM06 bit in the CM0 register to 1 (divide-by-8 mode).

8.4.1.7 On-chip Oscillator Low Power Dissipation Mode

The main clock is turned off after being placed in on-chip oscillator mode. The CPU clock can be selected as in on-chip oscillator mode. The on-chip oscillator clock is the clock source for the peripheral function clocks. If the sub clock is on, fC32 can be used as the count source for timers A and B.

Table 8.3 lists the Setting Clock Related Bit and Modes.

Table 8.3 Setting Clock Related Bit and Modes

Modes		CM2 Register	CM1 Register		CM0 Register			
		CM21	CM11	CM17, CM16	CM07	CM06	CM05	CM04
PLL operating mode		0	1	00b	0	0	0	-
High-speed mode		0	0	00b	0	0	0	-
Medium-speed mode	Divide-by-2	0	0	01b	0	0	0	-
	Divide-by-4	0	0	10b	0	0	0	-
	Divide-by-8	0	0	-	0	1	0	-
	Divide-by-16	0	0	11b	0	0	0	-
Low-speed mode		-	0	-	1	-	0	1
Low power dissipation mode		0	0	-	1	1 ⁽¹⁾	1 ⁽¹⁾	1
On-chip oscillator mode	No division	1	0	00b	0	0	0	-
	Divide-by-2	1	0	01b	0	0	0	-
	Divide-by-4	1	0	10b	0	0	0	-
	Divide-by-8	1	0	-	0	1	0	-
	Divide-by-16	1	0	11b	0	0	0	-
On-chip oscillator low power dissipation mode		1	0	(NOTE 2)	0	(NOTE 2)	1	-

-: 0 or 1

NOTES:

1. When the CM05 bit is set to 1 (main clock turned off) in low-speed mode, the mode goes to low power dissipation mode and the CM06 bit is set to 1 (divide-by-8 mode) simultaneously.
2. The divide-by-n value can be selected the same way as in on-chip oscillator mode.

8.4.2 Wait Mode

In wait mode, the CPU clock is turned off, so are the CPU (because operated by the CPU clock) and the watchdog timer. However, if the PM22 bit in the PM2 register is 1 (on-chip oscillator clock for the watchdog timer count source), the watchdog timer remains active. Because the main clock, sub clock and on-chip oscillator clock all are on, the peripheral functions using these clocks keep operating.

8.4.2.1 Peripheral Function Clock Stop Function

If the CM02 bit in the CM0 register is 1 (peripheral function clocks turned off during wait mode), the f1, f2, f8, f32, f1SIO, f8SIO, f32SIO, fAD, and fCAN0 clocks are turned off when in wait mode, with the power consumption reduced that much. However, fC32 remains on.

8.4.2.2 Entering Wait Mode

The MCU is placed into wait mode by executing the WAIT instruction.

When the CM11 bit = 1 (CPU clock source is the PLL clock), be sure to set the CM11 bit in the CM1 register to 0 (CPU clock source is the main clock) before going to wait mode. The power consumption of the chip can be reduced by setting the PLC07 bit in the PLC0 register to 0 (PLL stops).

8.4.2.3 Pin Status During Wait Mode

Table 8.4 lists the Pin Status During Wait Mode.

Table 8.4 Pin Status During Wait Mode

Pin	Memory Expansion Mode Microprocessor Mode	Single-chip Mode	
A0 to A19, D0 to D15, CS0 to CS3, BHE	Retains status before wait mode	Does not become a bus control pin	
RD, WR, WRL, WRH	“H”		
HLDA, BCLK	“H”		
ALE	“L”		
I/O ports	Retains status before wait mode	Retains status before wait mode	
CLKOUT	When fC selected	Does not become a CLKOUT pin	Does not stop
	When f8, f32 selected		<ul style="list-style-type: none"> •CM02 bit = 0: Does not stop •CM02 bit = 1: Retains status before wait mode

8.4.2.4 Exiting Wait Mode

The MCU exits wait mode by a hardware reset, $\overline{\text{NMI}}$ interrupt or peripheral function interrupt.

If the MCU exits wait mode by a hardware reset or $\overline{\text{NMI}}$ interrupt, set the peripheral function interrupt priority bits ILVL2 to ILVL0 to 000b (interrupt disabled) before executing the WAIT instruction.

The peripheral function interrupts are affected by the CM02 bit. If the CM02 bit is 0 (peripheral function clocks not turned off during wait mode), peripheral function interrupts can be used to exit wait mode. If the CM02 bit is 1 (peripheral function clocks turned off during wait mode), the peripheral functions using the peripheral function clocks stop operating, so that only the peripheral functions clocked by external signals can be used to exit wait mode.

Table 8.5 lists the Interrupts to Exit Wait Mode and Use Conditions.

Table 8.5 Interrupts to Exit Wait Mode and Use Conditions

Interrupt	CM02 Bit = 0	CM02 Bit = 1
NMI interrupt	Can be used	Can be used
Serial interface interrupt	Can be used when operating with internal or external clock	Can be used when operating with external clock
Key input interrupt	Can be used	Can be used
A/D conversion interrupt	Can be used in one-shot mode or single sweep mode	- (Do not use)
Timer A interrupt Timer B interrupt	Can be used in all modes	Can be used in event counter mode or when the count source is fC32
INT interrupt	Can be used	Can be used
CAN0 wake-up interrupt	Can be used in CAN sleep mode	Can be used in CAN sleep mode

If the MCU exits wait mode by a peripheral function interrupt, set up the following before executing the WAIT instruction.

- (1) Set bits ILVL2 to ILVL0 in the interrupt control register, for peripheral function interrupts used to exit wait mode.
Bits ILVL2 to ILVL0 in all other interrupt control registers, for peripheral function interrupts not used to exit wait mode, are set to 000b (interrupt disabled).
- (2) Set the I flag to 1.
- (3) Start operating the peripheral functions used to exit wait mode.
When the peripheral function interrupt is used, an interrupt routine is performed as soon as an interrupt request is acknowledged and the CPU clock is supplied again.

When the MCU exits wait mode by the peripheral function interrupt, the CPU clock is the same clock as the CPU clock executing the WAIT instruction.

8.4.3 Stop Mode

In stop mode, all oscillator circuits are turned off, so are the CPU clock and the peripheral function clocks. Therefore, the CPU and the peripheral functions clocked by these clocks stop operating. The least amount of power is consumed in this mode. If the voltage applied to VCC pin is VRAM or more, the internal RAM is retained.

However, the peripheral functions clocked by external signals keep operating.

Table 8.6 lists the Interrupts to Stop Mode and Use Conditions.

Table 8.6 Interrupts to Stop Mode and Use Conditions

Interrupt	Condition
NMI interrupt	Can be used
Key input interrupt	Can be used
INT interrupt	Can be used
Timer A interrupt Timer B interrupt	Can be used (when counting external pulses in event counter mode)
Serial interface interrupt	Can be used (when external clock is selected)
CAN0 wake-up interrupt	Can be used (when CAN sleep mode is selected)

8.4.3.1 Entering Stop Mode

The MCU is placed into stop mode by setting the CM10 bit in the CM1 register to 1 (all clocks turned off). At the same time, the CM06 bit in the CM0 register is set to 1 (divide-by-8 mode) and the CM15 bit in the CM1 register is set to 1 (main clock oscillator circuit drive capability high).

Before entering stop mode, set the CM20 bit in the CM2 register to 0 (oscillation stop, re-oscillation detection function disabled).

Also, if the CM11 bit in the CM1 register is 1 (PLL clock for the CPU clock source), set the CM11 bit to 0 (main clock for the CPU clock source) and the PLC07 bit in the PLC0 register to 0 (PLL turned off) before entering stop mode.

8.4.3.2 Pin Status in Stop Mode

Table 8.7 lists the Pin Status in Stop Mode.

Table 8.7 Pin Status in Stop Mode

Pin	Memory Expansion Mode Microprocessor Mode	Single-chip Mode	
A0 to A19, D0 to D15, CS0 to CS3, BHE	Retains status before stop mode	Does not become a bus control pin	
RD, WR, WRL, WRH	"H"		
HLDA, BCLK	"H"		
ALE	undefined		
I/O ports	Retains status before stop mode	Retains status before stop mode	
CLKOUT	When fC selected	Does not become a CLKOUT pin	"H"
	When f8, f32 selected		Retains status before stop mode

8.4.3.3 Exiting Stop Mode

Stop mode is exited by a hardware reset, $\overline{\text{NMI}}$ interrupt or peripheral function interrupt.

When the hardware reset or $\overline{\text{NMI}}$ interrupt is used to exit stop mode, set all ILVL2 to ILVL0 bits in the interrupt control registers for the peripheral function interrupt to 000b (interrupt disabled) before setting the CM10 bit in the CM1 register to 1.

When the peripheral function interrupt is used to exit stop mode, set the CM10 bit to 1 after the following settings are completed.

(1) Set bits ILVL2 to ILVL0 in the interrupt control registers to decide the peripheral priority level of the peripheral function interrupt.

Set the interrupt priority levels of the interrupts, not being used to exit stop mode, to 0 by setting the all ILVL2 to ILVL0 bits to 000b (interrupt disabled).

(2) Set the I flag to 1.

(3) Start operation of peripheral function being used to exit wait mode.

When exiting stop mode by the peripheral function interrupt, the interrupt routine is performed when an interrupt request is generated and the CPU clock is supplied again.

When stop mode is exited by the peripheral function interrupt or $\overline{\text{NMI}}$ interrupt, the CPU clock source is as follows, in accordance with the CPU clock source setting before the MCU had entered stop mode.

- When the sub clock is the CPU clock before entering stop mode: Sub clock
- When the main clock is the CPU clock source before entering stop mode:

Main clock divided by 8

- When the on-chip oscillator clock is the CPU clock source before entering stop mode:

On-chip oscillator clock divided by 8

Figure 8.12 shows the State Transition to Stop Mode and Wait Mode. Figure 8.13 shows the State Transition in Normal Operating Mode.

Table 8.8 shows a state transition matrix describing allowed transition and setting. The vertical line shows current state and horizontal line show state after transition.

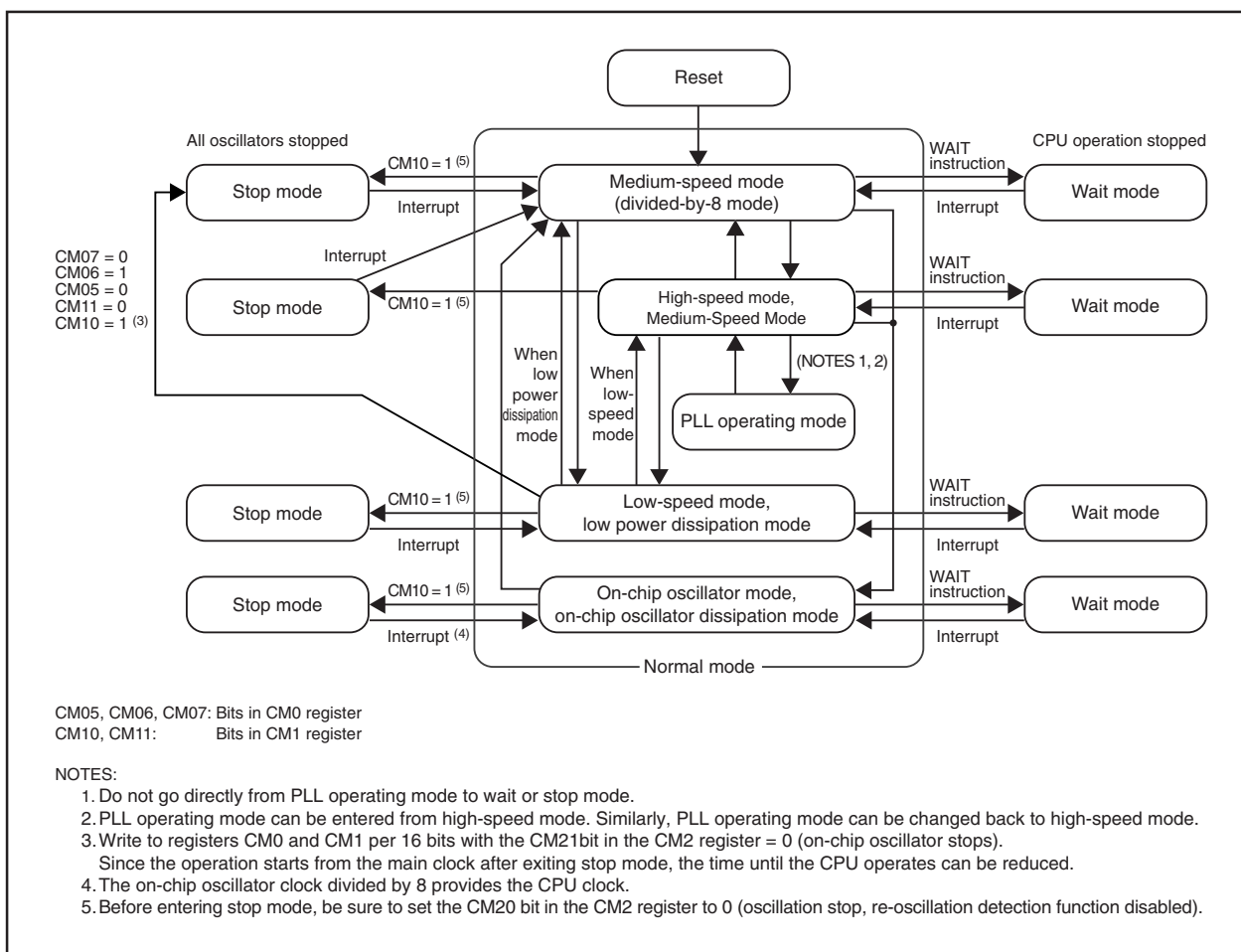


Figure 8.12 State Transition to Stop Mode and Wait Mode

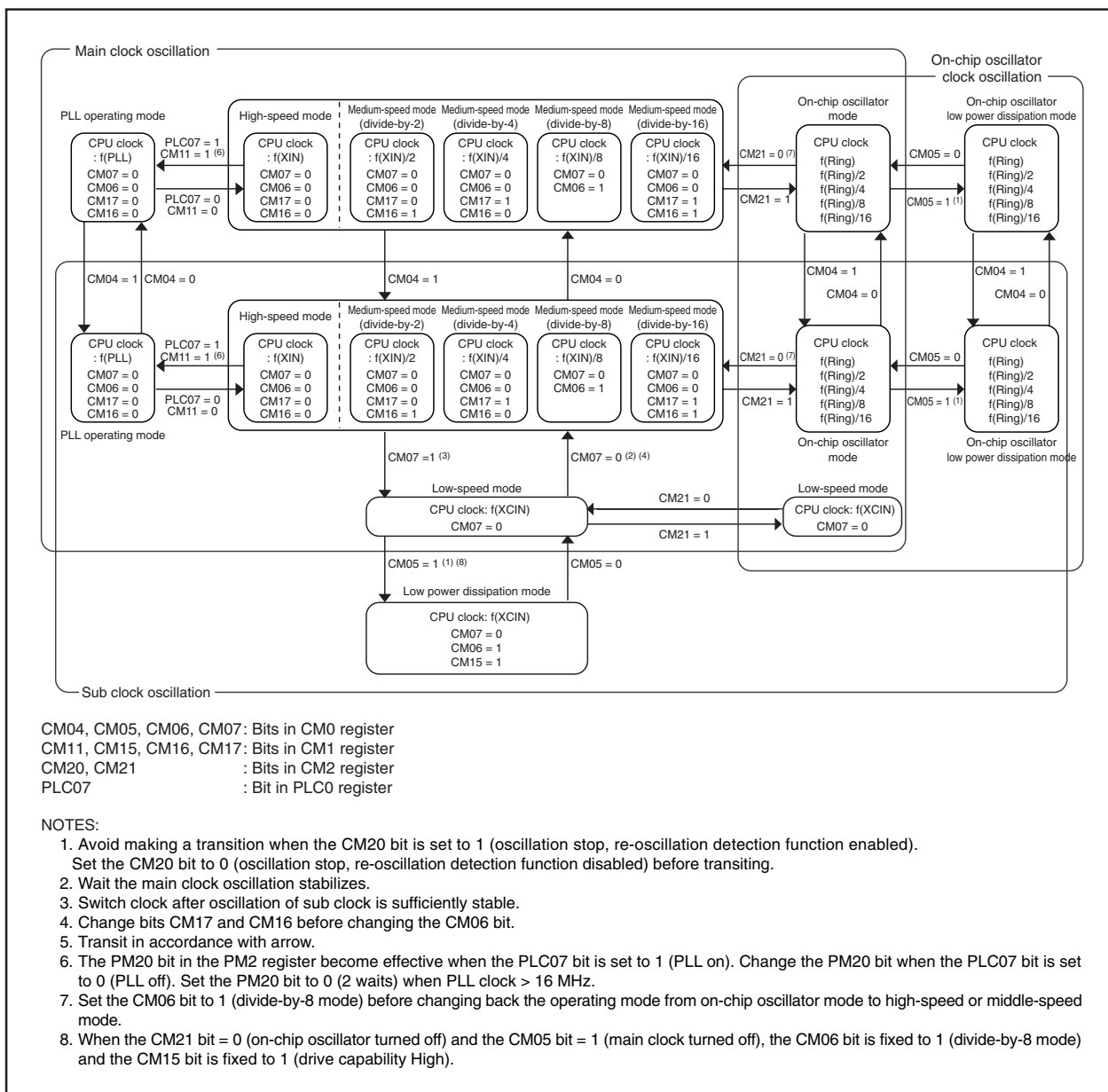


Figure 8.13 State Transition in Normal Operating Mode

Table 8.8 Allowed Transition and Setting ⁽⁹⁾

		State after Transition							
		High-Speed Mode, Medium-Speed Mode	Low-Speed Mode ⁽²⁾	Low Power Dissipation Mode	PLL Operating Mode (2)	On-chip Oscillator Mode	On-chip Oscillator Low Power Dissipation Mode	Stop Mode	Wait Mode
Current State	High-speed mode, medium-speed mode	(NOTE 8)	(9) ⁽⁷⁾	-	(13) ⁽³⁾	(15)	-	(16) ⁽¹⁾	(17)
	Low-speed mode ⁽²⁾	(8)	/	(11) ^{(1) (6)}	-	-	-	(16) ⁽¹⁾	(17)
	Low power dissipation mode	-	(10)	/	-	-	-	(16) ⁽¹⁾	(17)
	PLL operating mode ⁽²⁾	(12) ⁽³⁾	-	-	/	-	-	-	-
	On-chip oscillator mode	(14) ⁽⁴⁾	-	-	-	(NOTE 8)	(11) ⁽¹⁾	(16) ⁽¹⁾	(17)
	On-chip oscillator low power dissipation mode	-	-	-	-	(10)	(NOTE 8)	(16) ⁽¹⁾	(17)
	Stop mode	(18) ⁽⁵⁾	(18)	(18)	-	(18) ⁽⁵⁾	(18) ⁽⁵⁾	/	-
	Wait mode	(18)	(18)	(18)	-	(18)	(18)	-	/

-: Cannot transit

NOTES:

1. Avoid making a transition when the CM20 bit is set to 1 (oscillation stop, re-oscillation detection function enabled). Set the CM20 bit to 0 (oscillation stop, re-oscillation detection function disabled) before transiting.
2. On-chip oscillator clock oscillates and stops in low-speed mode. In this mode, the on-chip oscillator can be used as peripheral function clock. Sub clock oscillates and stops in PLL operating mode. In this mode, sub clock can be used as peripheral function clock.
3. PLL operating mode can only be entered from and changed to high-speed mode.
4. Set the CM06 bit to 1 (divide-by-8 mode) before transiting from on-chip oscillator mode to high-speed or medium-speed mode.
5. When exiting stop mode, the CM06 bit is set to 1 (divide-by-8 mode).
6. If the CM05 bit is set to 1 (main clock stop), then the CM06 bit is set to 1 (divide-by-8 mode).
7. A transition can be made only when sub clock is oscillating.
8. State transitions within the same mode (divide-by-n values changed or sub clock oscillation turned on or off) are shown in the table below.

		Sub Clock Oscillating					Sub Clock Turned Off				
		No Division	Divide-by-2	Divide-by-4	Divide-by-8	Divide-by-16	No Division	Divide-by-2	Divide-by-4	Divide-by-8	Divide-by-16
Sub Clock Oscillating	No division	/	(4)	(5)	(7)	(6)	(1)	-	-	-	-
	Divide-by-2	(3)	/	(5)	(7)	(6)	-	(1)	-	-	-
	Divide-by-4	(3)	(4)	/	(7)	(6)	-	-	(1)	-	-
	Divide-by-8	(3)	(4)	(5)	/	(6)	-	-	-	(1)	-
	Divide-by-16	(3)	(4)	(5)	(7)	/	-	-	-	-	(1)
Sub Clock Turned Off	No division	(2)	-	-	-	-	(4)	(5)	(7)	(6)	/
	Divide-by-2	-	(2)	-	-	-	(3)	(5)	(7)	(6)	/
	Divide-by-4	-	-	(2)	-	-	(3)	(4)	(7)	(6)	/
	Divide-by-8	-	-	-	(2)	-	(3)	(4)	(5)	(6)	/
	Divide-by-16	-	-	-	-	(2)	(3)	(4)	(5)	(7)	/

9. () : setting method. See right table.

Setting	Operation
(1) CM04=0	Sub clock turned off
(2) CM04=1	Sub clock oscillating
(3) CM06=0 CM17=0 CM16=0	CPU clock no division mode
(4) CM06=0 CM17=0 CM16=1	CPU clock divide-by-2 mode
(5) CM06=0 CM17=1 CM16=0	CPU clock divide-by-4 mode
(6) CM06=0 CM17=1 CM16=1	CPU clock divide-by-16 mode
(7) CM06=1	CPU clock divide-by-8 mode
(8) CM07=0	Main clock, PLL clock or on-chip oscillator clock selected
(9) CM07=1	Sub clock selected
(10) CM05=0	Main clock oscillating
(11) CM05=1	Main clock turned off
(12) PLC07=0 CM11=0	Main clock selected
(13) PLC07=1 CM11=1	PLL clock selected
(14) CM21=0	Main clock or PLL clock selected
(15) CM21=1	On-chip oscillator clock selected
(16) CM10=1	Transition to stop mode
(17) WAIT instruction	Transition to wait mode
(18) Hardware interrupt	Exit stop mode or wait mode

CM04, CM05, CM06, CM07: Bits in CM0 register
 CM10, CM11, CM16, CM17: Bits in CM1 register
 CM20, CM21 : Bits in CM2 register
 PLC07 : Bit in PLC0 register

8.5 Oscillation Stop and Re-oscillation Detection Function

The oscillation stop and re-oscillation detection function is such that main clock oscillation circuit stop and re-oscillation are detected. At oscillation stop, re-oscillation detection, reset or oscillation stop, re-oscillation detection interrupt request are generated. Which is to be generated can be selected using the CM27 bit in the CM2 register.

The oscillation stop and re-oscillation detection function can be enabled and disabled using the CM20 bit in the CM2 register.

Table 8.9 lists a Specification Overview of Oscillation Stop and Re-oscillation Detection Function.

Table 8.9 Specification Overview of Oscillation Stop and Re-oscillation Detection Function

Item	Specification
Oscillation stop detectable clock and frequency bandwidth	$f(XIN) \geq 2 \text{ MHz}$
Enabling condition for oscillation stop and re-oscillation detection function	Set CM20 bit to 1 (enabled)
Operation at oscillation stop, re-oscillation detection	<ul style="list-style-type: none"> •Reset occurs (when CM27 bit = 0) •Oscillation stop, re-oscillation detection interrupt is generated (when CM27 bit =1)

8.5.1 Operation when CM27 Bit = 0 (Oscillation Stop Detection Reset)

Where main clock stop is detected when the CM20 bit is 1 (oscillation stop, re-oscillation detection function enabled), the MCU is initialized, coming to a halt (oscillation stop reset; refer to **4. Special Function Registers (SFRs)**, **5. Resets**).

This status is reset with hardware reset. Also, even when re-oscillation is detected, the MCU can be initialized and stopped; it is, however, necessary to avoid such usage (During main clock stop, do not set the CM20 bit to 1 and the CM27 bit to 0).

8.5.2 Operation when CM27 Bit = 1 (Oscillation Stop, Re-oscillation Detection Interrupt)

Where the main clock corresponds to the CPU clock source and the CM20 bit is 1 (oscillation stop, re-oscillation detection function enabled), the system is placed in the following state if the main clock comes to a halt:

- Oscillation stop, re-oscillation detection interrupt request is generated.
- The on-chip oscillator starts oscillation, and the on-chip oscillator clock becomes the clock source for CPU clock and peripheral functions in place of the main clock.
- CM21 bit = 1 (on-chip oscillator clock is the clock source for CPU clock)
- CM22 bit = 1 (main clock stop detected)
- CM23 bit = 1 (main clock stopped)

Where the PLL clock corresponds to the CPU clock source and the CM20 bit is 1, the system is placed in the following state if the main clock comes to a halt: Since the CM21 bit remains unchanged, set it to 1 (on-chip oscillator clock) inside the interrupt routine.

- Oscillation stop, re-oscillation detection interrupt request is generated.
- CM22 bit = 1 (main clock stop detected)
- CM23 bit = 1 (main clock stopped)
- CM21 bit remains unchanged

Where the CM20 bit is 1, the system is placed in the following state if the main clock re-oscillates from the stop condition:

- Oscillation stop, re-oscillation detection interrupt request is generated.
- CM22 bit = 1 (main clock re-oscillation detected)
- CM23 bit = 0 (main clock oscillation)
- CM21 bit remains unchanged

8.5.3 How to Use Oscillation Stop and Re-oscillation Detection Function

- The oscillation stop, re-oscillation detection interrupt shares the vector with the watchdog timer interrupt. If the oscillation stop, re-oscillation detection and watchdog timer interrupts both are used, read the CM22 bit in an interrupt routine to determine which interrupt source is requesting the interrupt.
- Where the main clock re-oscillated after oscillation stop, the clock source for the CPU clock and peripheral function must be switched to the main clock in the program. Figure 8.14 shows the Procedure to Switch Clock Source from On-chip Oscillator to Main Clock.
- Simultaneously with oscillation stop, re-oscillation detection interrupt request occurrence, the CM22 bit becomes 1. When the CM22 bit is set at 1, oscillation stop, re-oscillation detection interrupt are disabled. By setting the CM22 bit to 0 in the program, oscillation stop, re-oscillation detection interrupt are enabled.
- If the main clock stops during low speed mode where the CM20 bit is 1, an oscillation stop, re-oscillation detection interrupt request is generated. At the same time, the on-chip oscillator starts oscillating. In this case, although the CPU clock is derived from the sub clock as it was before the interrupt occurred, the peripheral function clocks now are derived from the on-chip oscillator clock.
- To enter wait mode while using the oscillation stop and re-oscillation detection function, set the CM02 bit to 0 (peripheral function clocks not turned off during wait mode).
- Since the oscillation stop and re-oscillation detection function is provided in preparation for main clock stop due to external sources, set the CM20 bit to 0 (oscillation stop, re-oscillation detection function disabled) where the main clock is stopped or oscillated in the program, that is where the stop mode is selected or the CM05 bit is altered.
- This function cannot be used if the main clock frequency is 2 MHz or less. In that case, set the CM20 bit to 0.

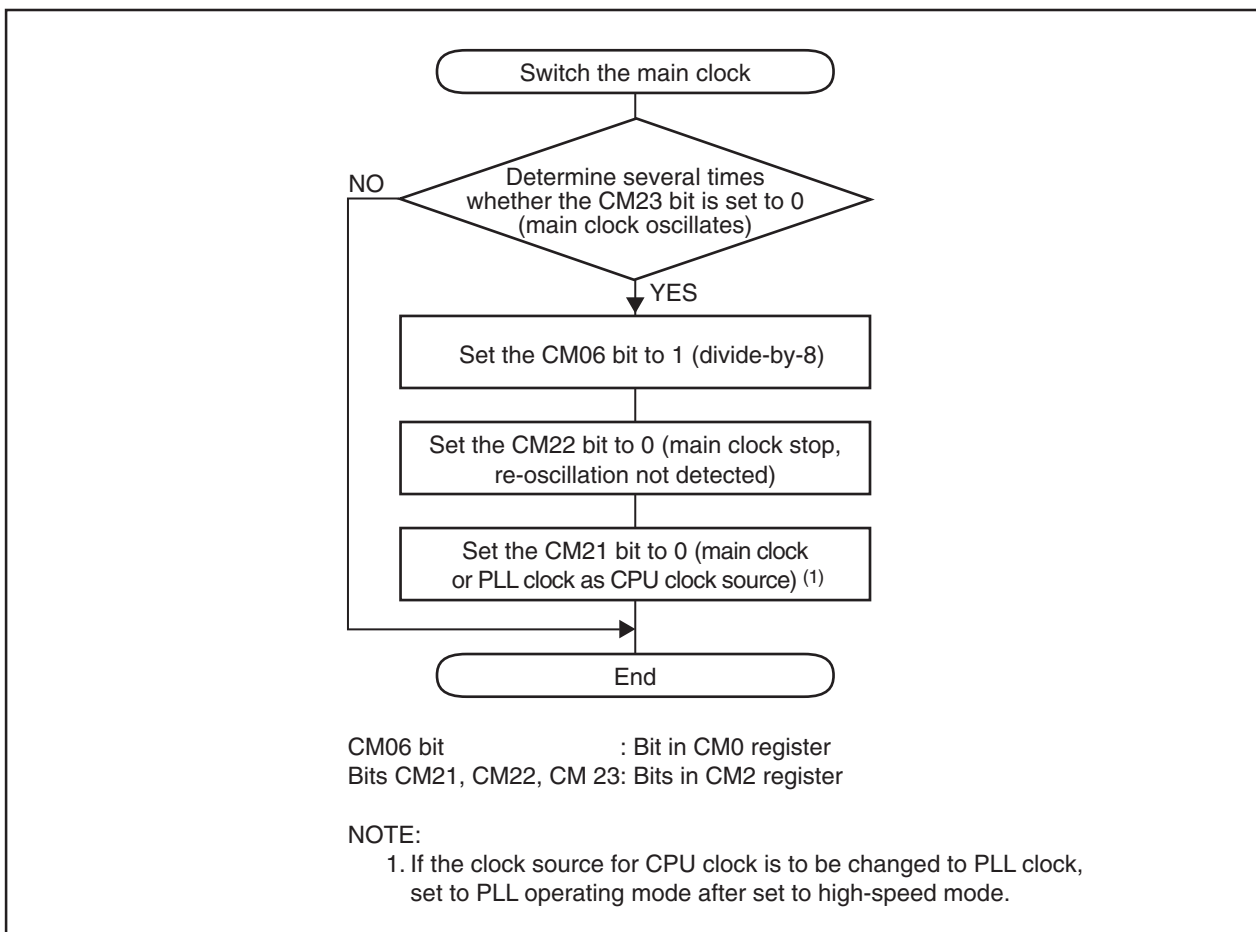


Figure 8.14 Procedure to Switch Clock Source from On-chip Oscillator to Main Clock

9. Protection

In the event that a program runs out of control, this function protects the important registers so that they will not be rewritten easily.

Figure 9.1 shows the PRCR Register. The registers protected by the PRCR register are listed below.

- Registers protected by the PRC0 bit: Registers CM0, CM1, CM2, PLC0, PCLKR, and CCLKR
- Registers protected by the PRC1 bit: Registers PM0, PM1, PM2, TB2SC, INVC0, and INVC1
- Registers protected by the PRC2 bit: Registers PD7, PD9, and S3C

Set the PRC2 bit to 1 (write enabled) and then write to given address, and the PRC2 bit will be set to 0 (write protected). The registers protected by the PRC2 bit should be changed in the next instruction after setting the PRC2 bit to 1. Make sure no interrupts or DMA transfers will occur between the instruction in which the PRC2 bit is set to 1 and the next instruction. Bits PRC0 and PRC1 are not automatically set to 0 by writing to given address. They can only be set to 0 in a program.

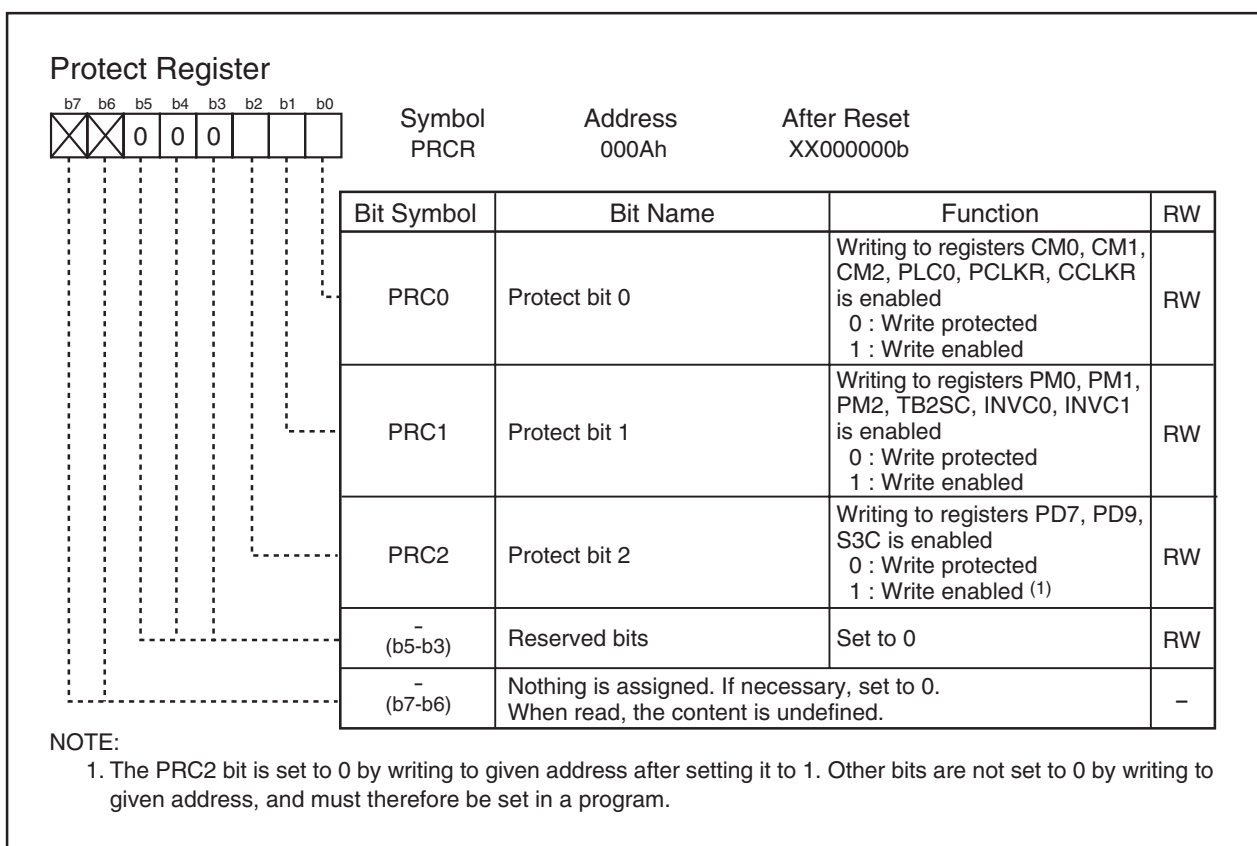


Figure 9.1 PRCR Register

10. Interrupts

10.1 Type of Interrupts

Figure 10.1 shows the Types of Interrupts.

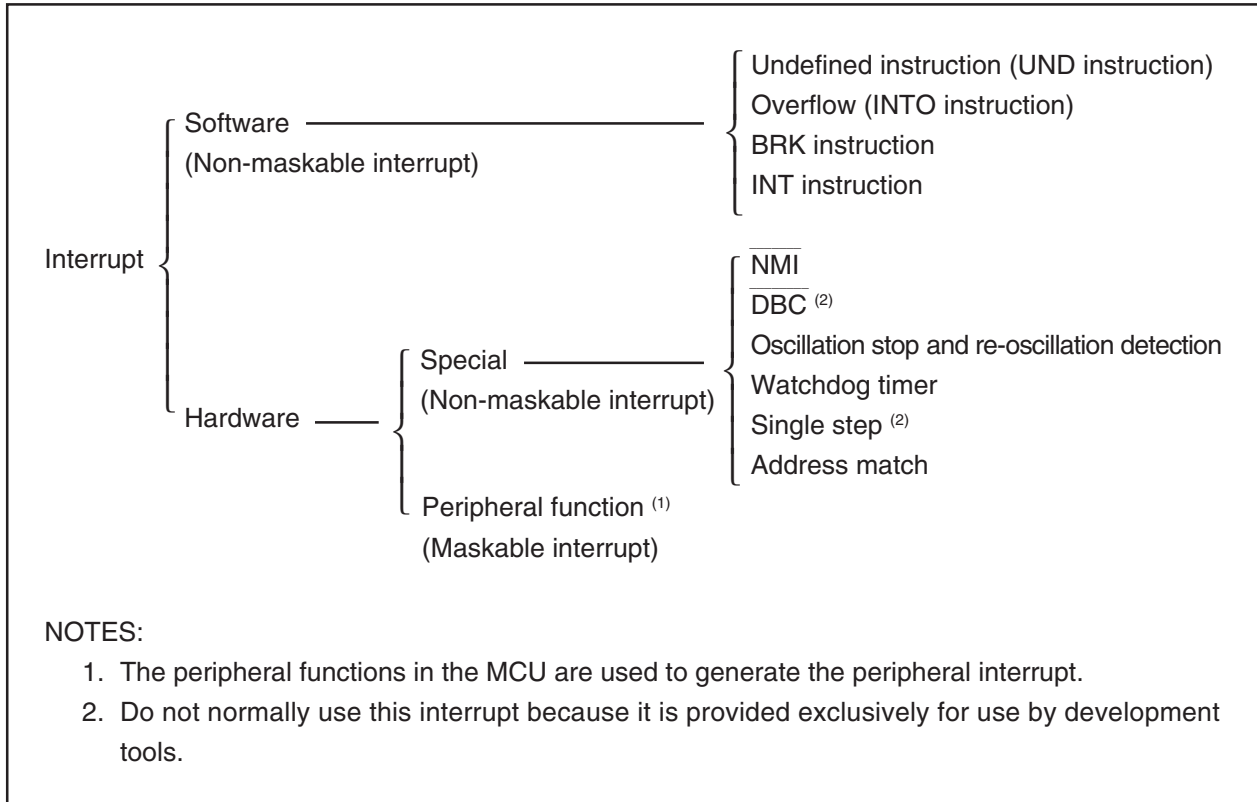


Figure 10.1 Types of Interrupts

- Maskable interrupt: An interrupt which can be enabled (disabled) by the interrupt enable flag (I flag) or whose interrupt priority **can be changed** by priority level.
- Non-maskable interrupt: An interrupt which cannot be enabled (disabled) by the interrupt enable flag (I flag) or whose interrupt priority **cannot be changed** by priority level.

10.2 Software Interrupts

A software interrupt is generated when executing certain instructions. Software interrupts are non-maskable interrupts.

10.2.1 Undefined Instruction Interrupt

An undefined instruction interrupt is generated when executing the UND instruction.

10.2.2 Overflow Interrupt

An overflow interrupt is generated when executing the INTO instruction with the O flag in the FLG register set to 1 (the operation resulted in an overflow). The following are instructions whose O flag changes by arithmetic:

ABS, ADC, ADCF, ADD, CMP, DIV, DIVU, DIVX, NEG, RMPA, SBB, SHA, SUB

10.2.3 BRK Interrupt

A BRK interrupt is generated when executing the BRK instruction.

10.2.4 INT Instruction Interrupt

An INT instruction interrupt is generated when executing the INT instruction. Software interrupt Nos. 0 to 63 can be specified for the INT instruction. Because software interrupt Nos. 1 to 31 are assigned to peripheral function interrupts, the same interrupt routine as for peripheral function interrupts can be executed by executing the INT instruction.

In software interrupt Nos. 0 to 31, the U flag is saved to the stack during instruction execution and is set to 0 (ISP selected) before executing an interrupt sequence. The U flag is restored from the stack when returning from the interrupt routine. In software interrupt Nos. 32 to 63, the U flag does not change state during instruction execution, and the SP then selected is used.

10.3 Hardware Interrupts

Hardware interrupts are classified into two types — special interrupts and peripheral function interrupts.

10.3.1 Special Interrupts

Special interrupts are non-maskable interrupts.

10.3.1.1 $\overline{\text{NMI}}$ Interrupt

An $\overline{\text{NMI}}$ interrupt is generated when input on the $\overline{\text{NMI}}$ pin changes state from high to low. For details, refer to **10.7 $\overline{\text{NMI}}$ Interrupt**.

10.3.1.2 $\overline{\text{DBC}}$ Interrupt

Do not normally use this interrupt because it is provided exclusively for use by development tools.

10.3.1.3 Watchdog Timer Interrupt

Generated by the watchdog timer. Once a watchdog timer interrupt is generated, be sure to initialize the watchdog timer. For details about the watchdog timer, refer to **11. Watchdog Timer**.

10.3.1.4 Oscillation Stop and Re-oscillation Detection Interrupt

Generated by the oscillation stop and re-oscillation detection function. For details about the oscillation stop and re-oscillation detection function, refer to **8. Clock Generation Circuit**.

10.3.1.5 Single-Step Interrupt

Do not normally use this interrupt because it is provided exclusively for use by development tools.

10.3.1.6 Address Match Interrupt

An address match interrupt is generated immediately before executing the instruction at the address indicated by registers RMAD0 to RMAD3 that corresponds to one of the AIER0 or AIER1 bit in the AIER register or the AIER20 or AIER21 bit in the AIER2 register which is 1 (address match interrupt enabled). For details, refer to **10.10 Address Match Interrupt**.

10.3.2 Peripheral Function Interrupts

The peripheral function interrupt is generated when a request from the peripheral functions in the MCU is acknowledged. The peripheral function interrupt is a maskable interrupt. See **Table 10.2 Relocatable Vector Tables** about how the peripheral function interrupt occurs. Refer to the descriptions of each function for details.

10.4 Interrupts and Interrupt Vector

One interrupt vector consists of 4 bytes. Set the start address of each interrupt routine in the respective interrupt vectors. When an interrupt request is accepted, the CPU branches to the address set in the corresponding interrupt vector. Figure 10.2 shows the Interrupt Vector.

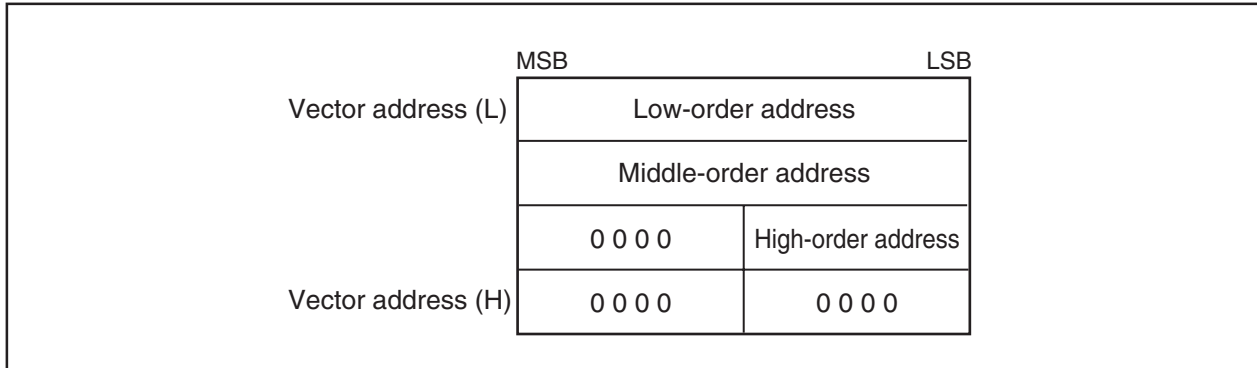


Figure 10.2 Interrupt Vector

10.4.1 Fixed Vector Tables

The fixed vector tables are allocated to the addresses from FFFDCh to FFFFFh. Table 10.1 lists the Fixed Vector Tables. In the flash memory version of MCU, the vector addresses (H) of fixed vectors are used by the ID code check function. For details, refer to **21.2 Functions to Prevent Flash Memory from Rewriting**.

Table 10.1 Fixed Vector Tables

Interrupt Source	Vector table Addresses Address (L) to Address (H)	Reference
Undefined instruction (UND instruction)	FFFDCh to FFFDFh	M16C/60, M16C/20, M16C/Tiny
Overflow (INTO instruction)	FFFE0h to FFFE3h	Series Software Manual
BRK instruction ⁽²⁾	FFFE4h to FFFE7h	
Address match	FFFE8h to FFEFBh	10.10 Address Match Interrupt
Single step ⁽¹⁾	FFFECh to FFEFh	-
Oscillation stop and re-oscillation detection, Watchdog timer	FFFF0h to FFFF3h	8. Clock Generation Circuit 11. Watchdog Timer
DBC ⁽¹⁾	FFFF4h to FFFF7h	-
NMI	FFFF8h to FFFFh	10.7 NMI Interrupt
Reset	FFFFCh to FFFFFh	5. Resets

NOTES:

1. Do not normally use this interrupt because it is provided exclusively for use by development tools.
2. If the contents of address FFFE7h is FFh, program execution starts from the address shown by the vector in the relocatable vector table.

10.4.2 Relocatable Vector Tables

The 256 bytes beginning with the start address set in the INTB register comprise a relocatable vector table area. Table 10.2 lists the Relocatable Vector Tables. Setting an even address in the INTB register results in the interrupt sequence being executed faster than in the case of odd addresses.

Table 10.2 Relocatable Vector Tables

Interrupt Source	Vector Address ⁽¹⁾ Address (L) to Address (H)	Software Interrupt Number	Reference
BRK Instruction ⁽²⁾	+0 to +3 (0000h to 0003h)	0	M16C/60, M16C/20, M16C/Tiny Series Software Manual
CAN0 wake-up ⁽³⁾	+4 to +7 (0004h to 0007h)	1	19. CAN Module
CAN0 successful reception	+8 to +11 (0008h to 000Bh)	2	
CAN0 successful transmission	+12 to +15 (000Ch to 000Fh)	3	
INT3	+16 to +19 (0010h to 0013h)	4	10.6 INT Interrupt
Timer B5	+20 to +23 (0014h to 0017h)	5	13. Timers
Timer B4, UART1 bus collision detection ⁽⁴⁾⁽¹⁰⁾	+24 to +27 (0018h to 001Bh)	6	13. Timers
Timer B3, UART0 bus collision detection ⁽⁵⁾⁽¹⁰⁾	+28 to +31 (001Ch to 001Fh)	7	15. Serial Interface
INT5 ⁽⁶⁾	+32 to +35 (0020h to 0023h)	8	10.6 INT Interrupt
SI/O3, INT4 ⁽⁷⁾	+36 to +39 (0024h to 0027h)	9	15. Serial Interface, 10.6 INT Interrupt
UART2 bus collision detection ⁽¹⁰⁾	+40 to +43 (0028h to 002Bh)	10	15. Serial Interface
DMA0	+44 to +47 (002Ch to 002Fh)	11	12. DMAC
DMA1	+48 to +51 (0030h to 0033h)	12	
CAN0 error ⁽³⁾	+52 to +55 (0034h to 0037h)	13	19. CAN Module
A/D, key input ⁽⁸⁾	+56 to +59 (0038h to 003Bh)	14	16. A/D Converter, 10.8 Key Input Interrupt
UART2 transmission, NACK2 ⁽⁹⁾	+60 to +63 (003Ch to 003Fh)	15	15. Serial Interface
UART2 reception, ACK2 ⁽⁹⁾	+64 to +67 (0040h to 0043h)	16	
UART0 transmission, NACK0 ⁽⁹⁾	+68 to +71 (0044h to 0047h)	17	
UART0 reception, ACK0 ⁽⁹⁾	+72 to +75 (0048h to 004Bh)	18	
UART1 transmission, NACK1 ⁽⁹⁾	+76 to +79 (004Ch to 004Fh)	19	
UART1 reception, ACK1 ⁽⁹⁾	+80 to +83 (0050h to 0053h)	20	
Timer A0	+84 to +87 (0054h to 0057h)	21	
Timer A1	+88 to +91 (0058h to 005Bh)	22	
Timer A2	+92 to +95 (005Ch to 005Fh)	23	
Timer A3	+96 to +99 (0060h to 0063h)	24	
Timer A4	+100 to +103 (0064h to 0067h)	25	
Timer B0	+104 to +107 (0068h to 006Bh)	26	
Timer B1	+108 to +111 (006Ch to 006Fh)	27	
Timer B2	+112 to +115 (0070h to 0073h)	28	
INT0	+116 to +119 (0074h to 0077h)	29	10.6 INT Interrupt
INT1	+120 to +123 (0078h to 007Bh)	30	
INT2	+124 to +127 (007Ch to 007Fh)	31	
INT instruction interrupt ⁽²⁾	+128 to +131 (0080h to 0083h) to +252 to +255 (00FCh to 00FFh)	32 to 63	M16C/60, M16C/20, M16C/Tiny Series Software Manual

NOTES:

- Address relative to address in INTB.
- These interrupts cannot be disabled using the I flag.
- Set the IFSR02 bit in the IFSR0 register to 0 (CAN0 wake-up or error).
- Use the IFSR07 bit in the IFSR0 register to select.
- Use the IFSR06 bit in the IFSR0 register to select.
- Set the IFSR17 bit in the IFSR1 register to 1 (INT5).
- Use the IFSR16 bit in the IFSR1 register to select.
Furthermore, set the IFSR00 bit in the IFSR0 register to 1, when selecting SI/O3.
- Use the IFSR01 bit in the IFSR0 register to select.
- During I²C mode, NACK and ACK interrupts comprise the interrupt source.
- Bus collision detection: During IE mode, this bus collision detection constitutes the cause of an interrupt.
During I²C mode, a start condition or a stop condition detection constitutes the cause of an interrupt.

10.5 Interrupt Control

The following describes how to enable/disable the maskable interrupts, and how to set the priority in which order they are accepted. What is explained here does not apply to non-maskable interrupts.

Use the I flag in the FLG register, IPL, and bits ILVL2 to ILVL0 in the each interrupt control register to enable/disable the maskable interrupts. Whether an interrupt is requested is indicated by the IR bit in the each interrupt control register.

Figures 10.3 and 10.4 show the Interrupt Control Registers.

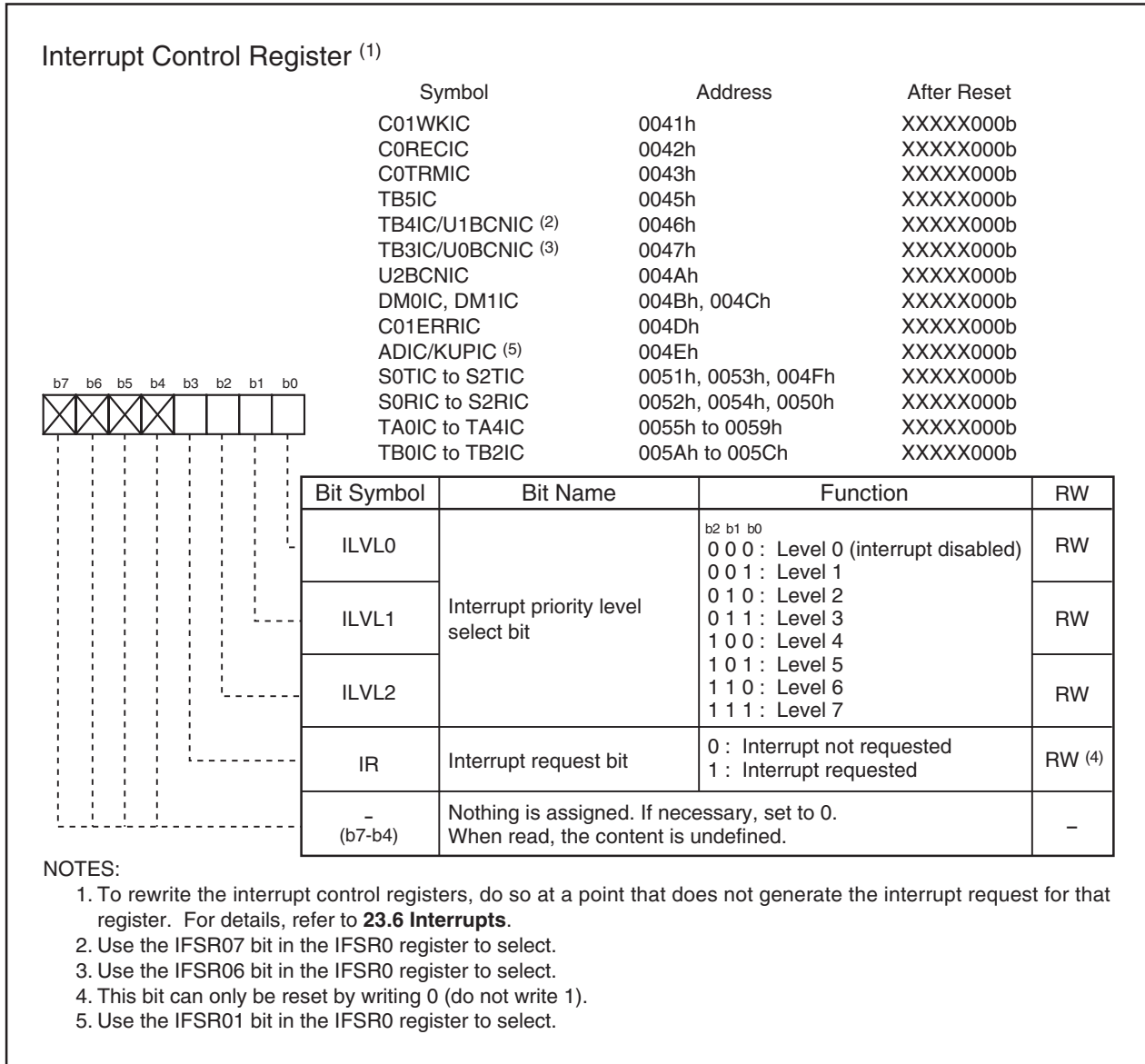


Figure 10.3 Interrupt Control Registers (1)

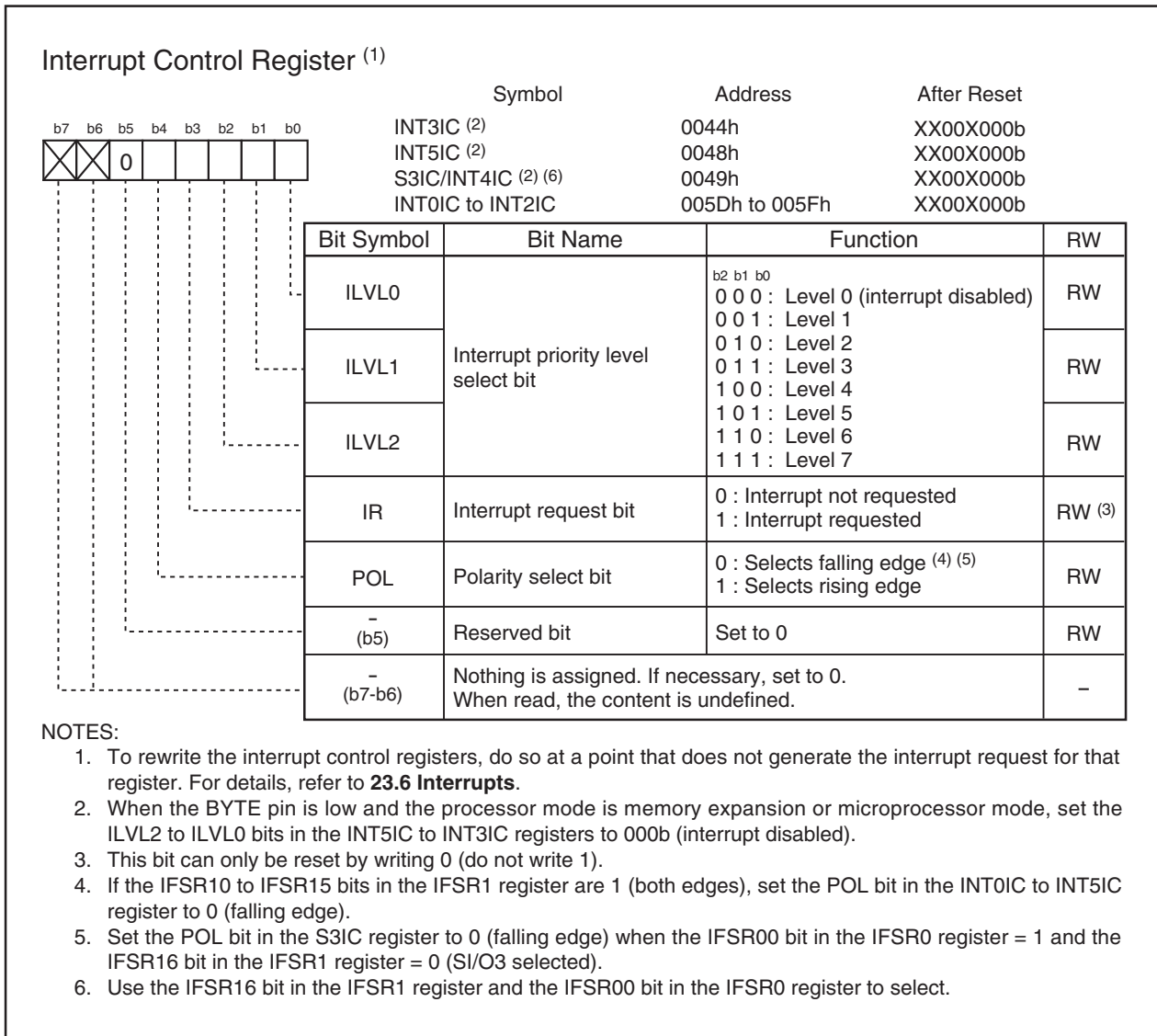


Figure 10.4 Interrupt Control Registers (2)

10.5.1 I Flag

The I flag enables or disables the maskable interrupt. Setting the I flag to 1 (enabled) enables the maskable interrupt. Setting the I flag to 0 (disabled) disables all maskable interrupts.

10.5.2 IR Bit

The IR bit is set to 1 (interrupt requested) when an interrupt request is generated. Then, when the interrupt request is accepted and the CPU branches to the corresponding interrupt vector, the IR bit is set to 0 (interrupt not requested).

The IR bit can be set to 0 in a program. Note that do not write 1 to this bit.

10.5.3 Bits ILVL2 to ILVL0 and IPL

Interrupt priority levels can be set using bits ILVL2 to ILVL0.

Table 10.3 shows the settings of interrupt priority levels and Table 10.4 shows the interrupt priority levels enabled by the IPL.

The following are conditions under which an interrupt is accepted:

- I flag = 1
- IR bit = 1
- interrupt priority level > IPL

The I flag, IR bit, bits ILVL2 to ILVL0 and IPL are independent of each other. In no case do they affect one another.

Table 10.3 Settings of Interrupt Priority Levels


Bits ILVL2 to ILVL0	Interrupt Priority Level	Priority Order
000b	Level 0 (Interrupt disabled)	-
001b	Level 1	Low  High
010b	Level 2	
011b	Level 3	
100b	Level 4	
101b	Level 5	
110b	Level 6	
111b	Level 7	

Table 10.4 Interrupt Priority Levels Enabled by IPL

IPL	Enabled Interrupt Priority Levels
000b	Interrupt levels 1 and above are enabled
001b	Interrupt levels 2 and above are enabled
010b	Interrupt levels 3 and above are enabled
011b	Interrupt levels 5 and above are enabled
100b	Interrupt levels 5 and above are enabled
101b	Interrupt levels 6 and above are enabled
110b	Interrupt levels 7 and above are enabled
111b	All maskable interrupts are disabled

10.5.4 Interrupt Sequence

An interrupt sequence — what are performed over a period from the instant an interrupt is accepted to the instant the interrupt routine is executed — is described here.

If an interrupt request is generated while an instruction is being executing, the CPU determines its priority when the execution of the instruction is completed, and transfers control to the interrupt sequence from the next cycle. However, for the SMOVB, SMOVF, SSTR or RMPA instruction, if an interrupt request is generated while the instruction is being executing, the MCU temporarily suspends the instruction being executed, and transfers control to the interrupt sequence.

The CPU behavior during the interrupt sequence is described below.

Figure 10.5 shows the Time Required for Executing Interrupt Sequence.

- (1) The CPU obtains interrupt information (interrupt number and interrupt request level) by reading address 000000h. Then, the IR bit applicable to the interrupt information is set to 0 (interrupt requested).
- (2) The FLG register, prior to an interrupt sequence, is saved to a temporary register ⁽¹⁾ within the CPU.
- (3) Flags I, D, and U in the FLG register become as follows:
 - The I flag is set to 0 (interrupt disabled)
 - The D flag is set to 0 (single-step interrupt disabled)
 - The U flag is set to 0 (ISP selected)
 However, the U flag does not change state if an INT instruction for software interrupt Nos. 32 to 63 is executed.
- (4) The temporary register ⁽¹⁾ within the CPU is saved to the stack.
- (5) The PC is saved to the stack.
- (6) The interrupt priority level of the acknowledged interrupt in IPL is set.
- (7) The start address of the relevant interrupt routine set in the interrupt vector is stored in the PC.

After the interrupt sequence is completed, an instruction is executed from the starting address of the interrupt routine.

NOTE:

1. This register cannot be accessed by user.

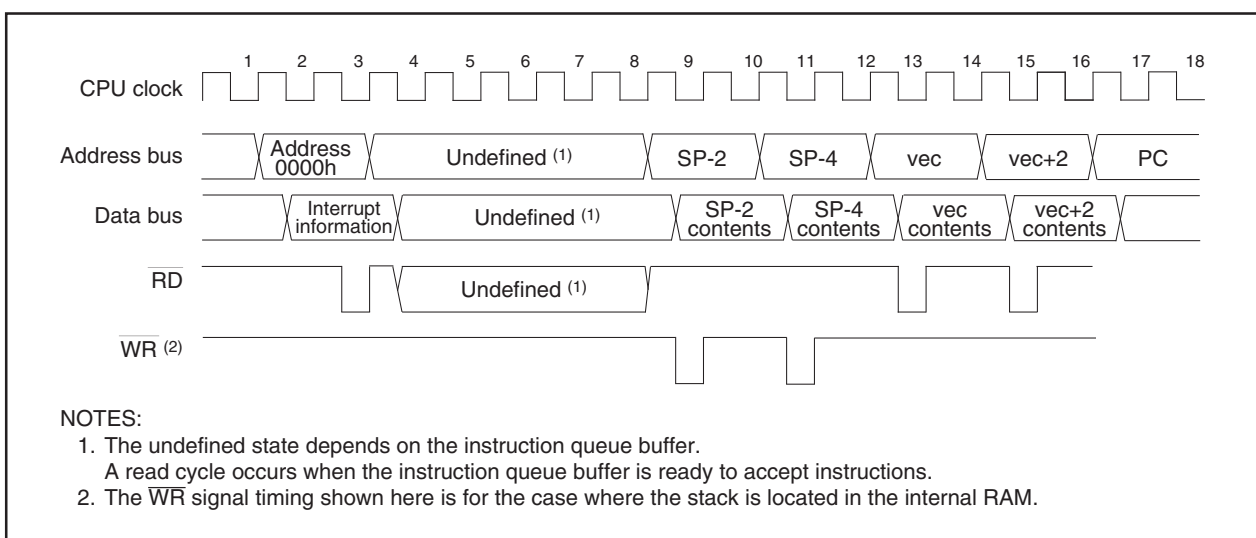


Figure 10.5 Time Required for Executing Interrupt Sequence

10.5.5 Interrupt Response Time

Figure 10.6 shows the Interrupt Response Time. The interrupt response or interrupt acknowledge time denotes a time from when an interrupt request is generated till when the first instruction in the interrupt routine is executed. Specifically, it consists of a time from when an interrupt request is generated till when the instruction then executing is completed ((a) on Figure 10.6) and a time during which the interrupt sequence is executed ((b) on Figure 10.6).

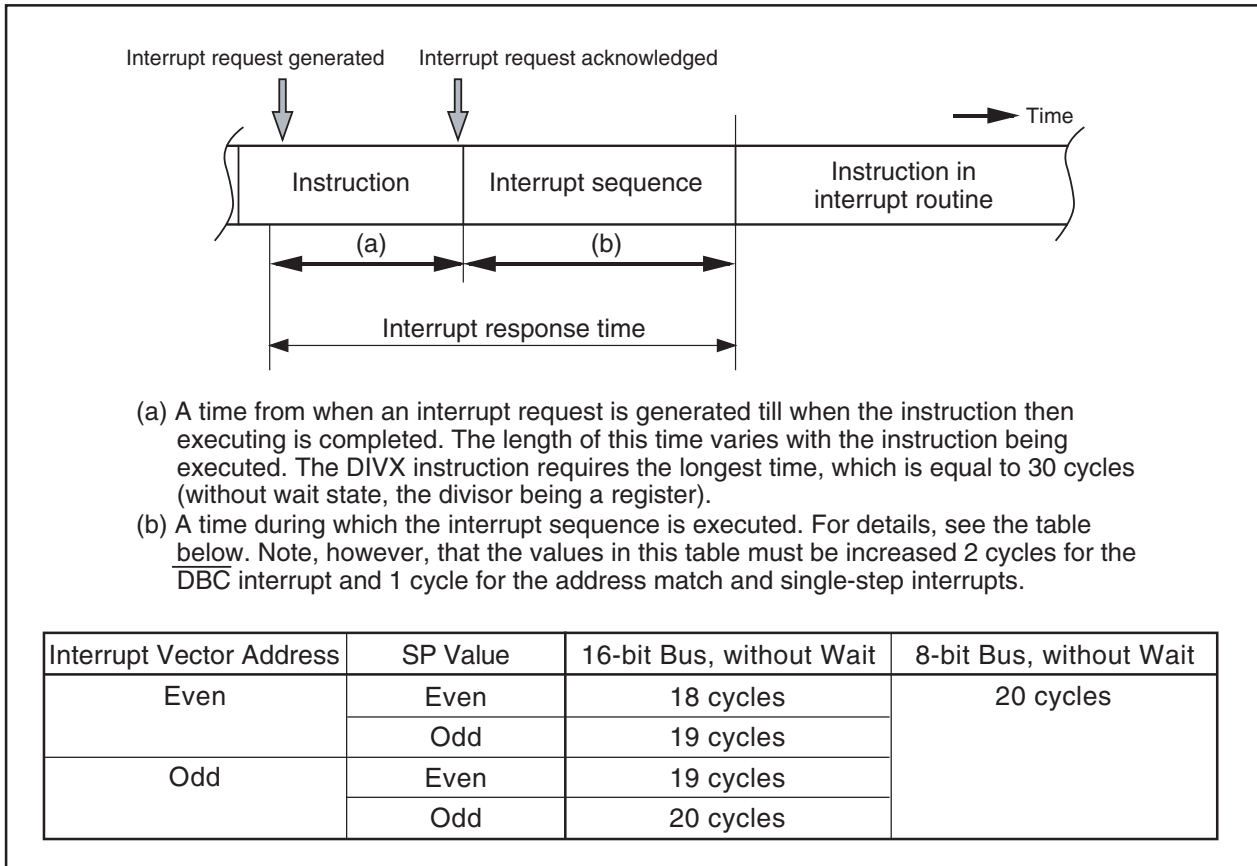


Figure 10.6 Interrupt Response Time

10.5.6 Variation of IPL when Interrupt Request is Accepted

When a maskable interrupt request is accepted, the interrupt priority level of the accepted interrupt is set in the IPL.

When a software interrupt or special interrupt request is accepted, one of the interrupt priority levels listed in Table 10.5 is set in the IPL. Table 10.5 shows the IPL Level that is Set to IPL when Software or Special Interrupts is Accepted.

Table 10.5 IPL Level that is Set to IPL when Software or Special Interrupt is Accepted

Interrupt Sources	Value that is Set to IPL
Oscillation stop and re-oscillation detection, Watchdog timer, NMI	7
Software, Address match, DBC, Single-step	Not changed

10.5.7 Saving Registers

In the interrupt sequence, the FLG register and PC are saved to the stack.

At this time, the 4 high-order bits of the PC and the 4 high-order (IPL) and 8 low-order bits in the FLG register, 16 bits in total, are saved to the stack first. Next, the 16 low-order bits of the PC are saved.

Figure 10.7 shows the Stack Status Before and After Acceptance of Interrupt Request.

The other necessary registers must be saved in a program at the beginning of the interrupt routine. Use the PUSHM instruction, and all registers except SP can be saved with a single instruction.

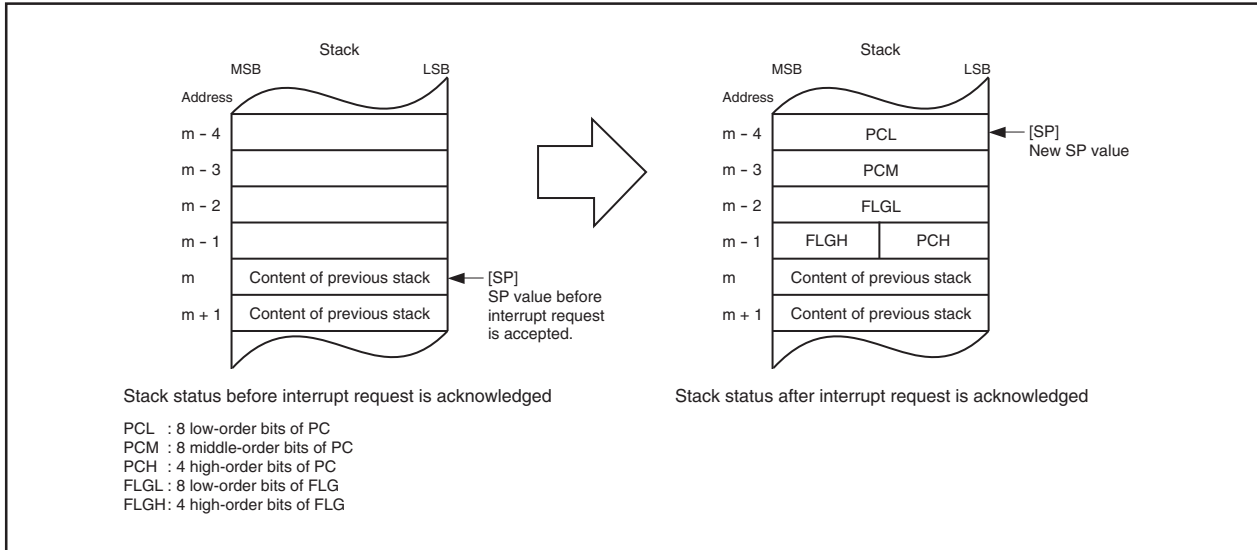


Figure 10.7 Stack Status Before and After Acceptance of Interrupt Request

The register saving operation carried out in the interrupt sequence is dependent on whether the SP⁽¹⁾, at the time of acceptance of an interrupt request, is even or odd. If the SP⁽¹⁾ is even, the FLG register and the PC are saved, 16 bits at a time. If odd, they are saved in two steps, 8 bits at a time.

Figure 10.8 shows the Register Saving Operation.

NOTE:

1. When any INT instruction in software numbers 32 to 63 has been executed, this is the SP indicated by the U flag. Otherwise, it is the ISP.

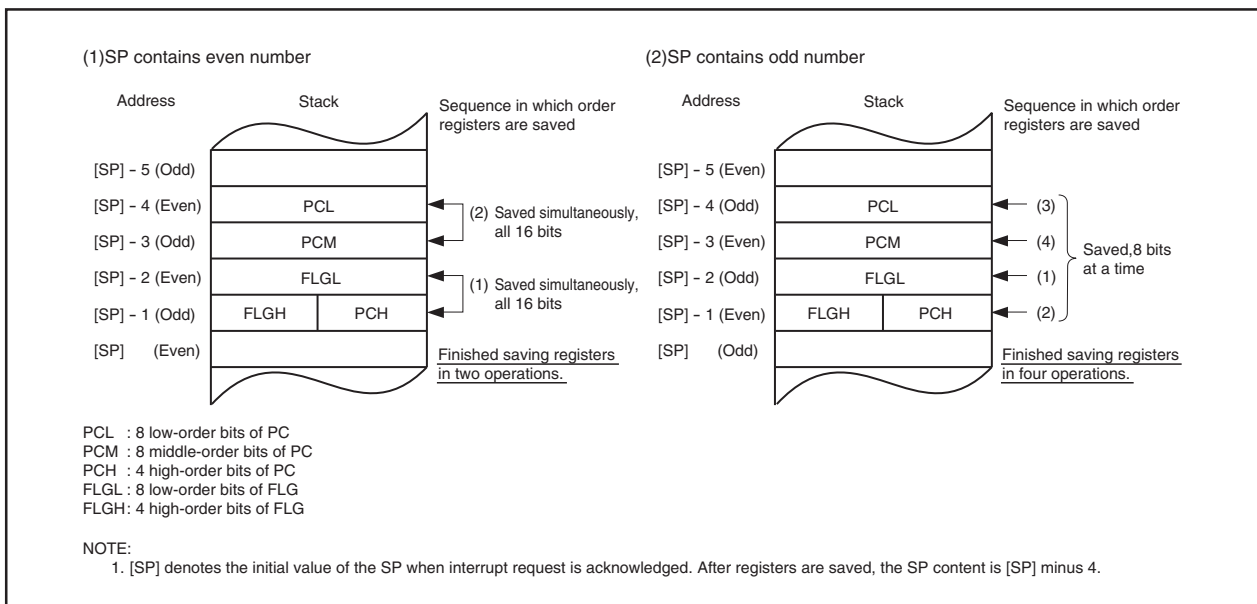


Figure 10.8 Register Saving Operation

10.5.8 Returning from Interrupt Routine

The FLG register and PC in the state in which they were immediately before entering the interrupt sequence are restored from the stack by executing the REIT instruction at the end of the interrupt routine. Thereafter the CPU returns to the program which was being executed before accepting the interrupt request.

Return the other registers saved by a program within the interrupt routine using the POPM or similar instruction before executing the REIT instruction.

Register bank is switched back to the bank used prior to the interrupt sequence by the REIT instruction.

10.5.9 Interrupt Priority

If two or more interrupt requests are sampled at the same sampling points (a timing to detect whether an interrupt request is generated or not), the interrupt request with the highest priority is acknowledged.

For maskable interrupts (peripheral functions interrupt), any desired priority level can be selected using bits ILVL2 to ILVL0. However, if two or more maskable interrupts have the same priority level, their interrupt priority is resolved by hardware, with the highest priority interrupt accepted.

The watchdog timer and other special interrupts have their priority levels set in hardware.

Figure 10.9 shows the Hardware Interrupts Priority.

Software interrupts are not affected by the interrupt priority. If an instruction is executed, control branches invariably to the interrupt routine.

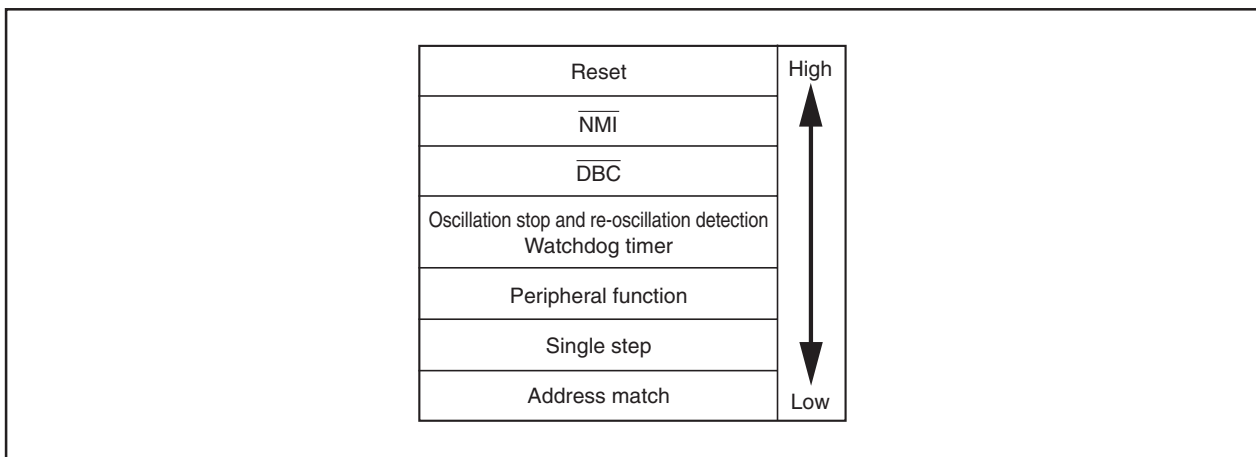


Figure 10.9 Hardware Interrupt Priority

10.5.10 Interrupt Priority Level Select Circuit

The interrupt priority level select circuit selects the highest priority interrupt when two or more interrupt requests are sampled at the same sampling point.

Figure 10.10 shows the Interrupts Priority Select Circuit.

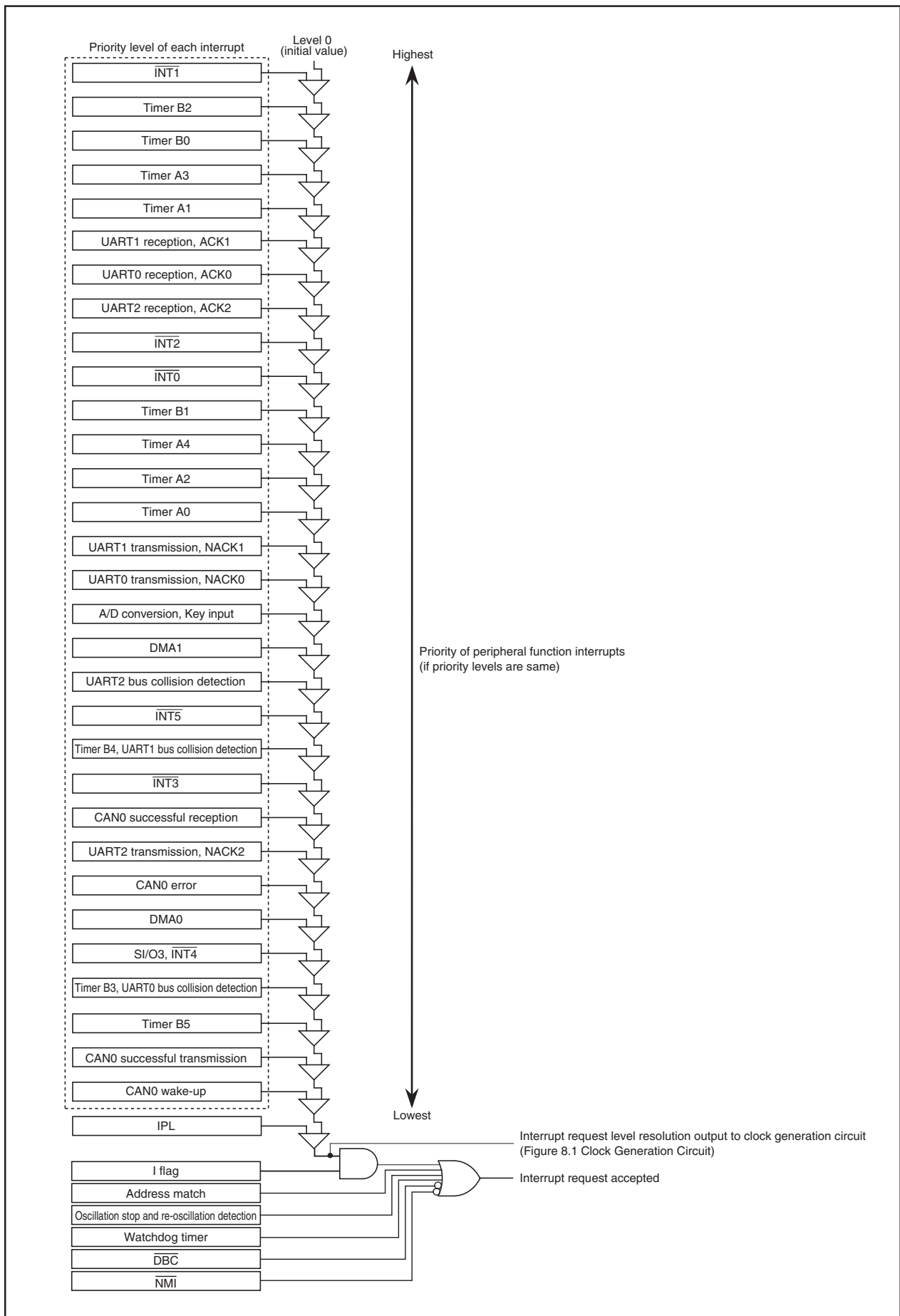


Figure 10.10 Interrupts Priority Select Circuit

10.6 $\overline{\text{INT}}$ Interrupt

$\overline{\text{INT}}_i$ interrupt ($i = 0$ to 5) is triggered by the edges of external inputs. The edge polarity is selected using bits IFSR10 to IFSR15 in the IFSR1 register.

$\overline{\text{INT}}_4$ share the interrupt vector and interrupt control register with SI/O3. To use the $\overline{\text{INT}}_4$ interrupt, set the IFSR16 bit in the IFSR1 register to 1 ($\overline{\text{INT}}_4$).

After modifying the IFSR16 bit, set the corresponding IR bit to 0 (interrupt not requested) before enabling the interrupt.

Figure 10.11 shows Registers IFSR0 and IFSR1.

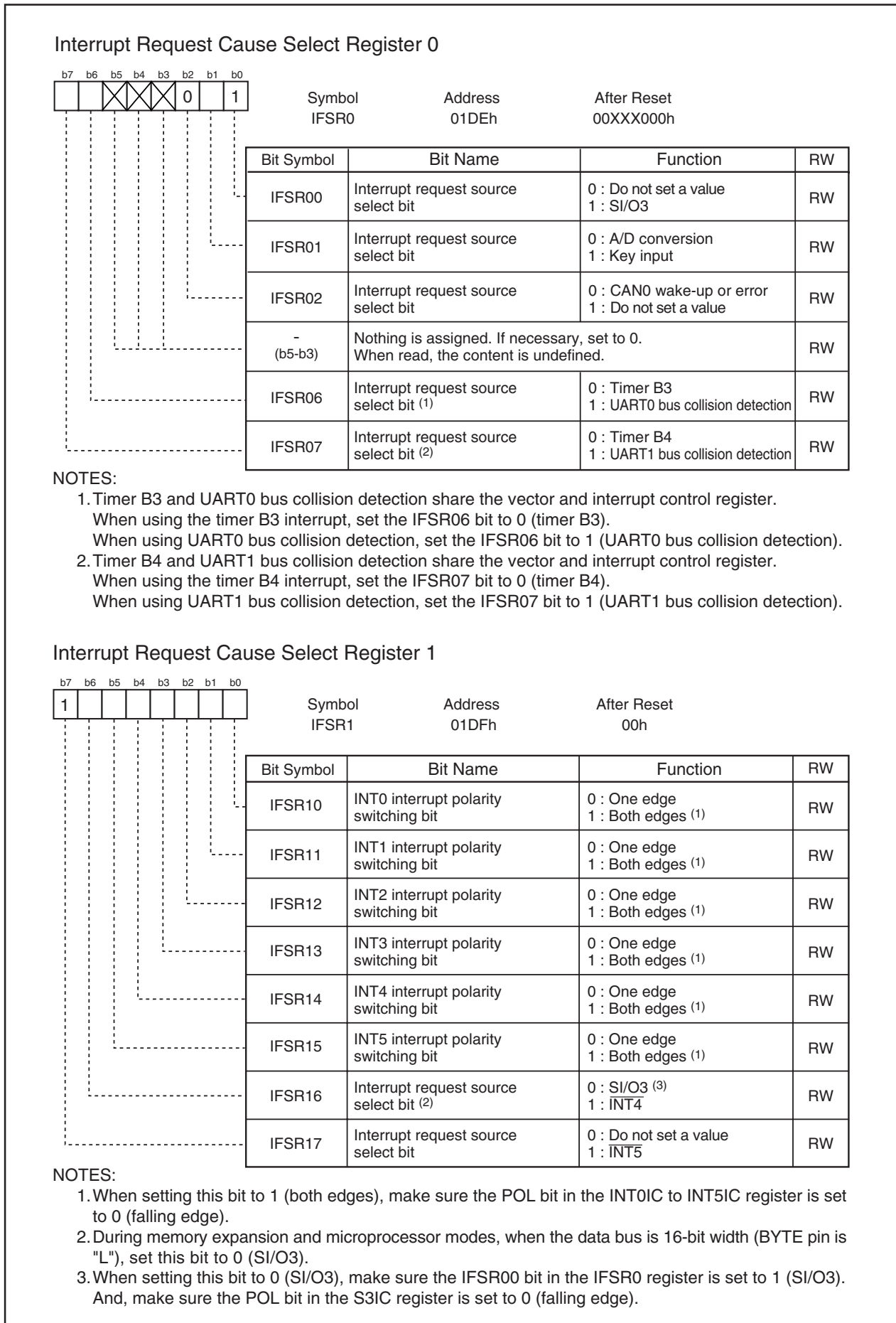


Figure 10.11 Registers IFSR0 and IFSR1

10.7 $\overline{\text{NMI}}$ Interrupt

An $\overline{\text{NMI}}$ interrupt request is generated when input on the $\overline{\text{NMI}}$ pin changes state from high to low. The $\overline{\text{NMI}}$ interrupt is a non-maskable interrupt.

The input level of this $\overline{\text{NMI}}$ interrupt input pin can be read by accessing the P8_5 bit in the P8 register.

This pin cannot be used as an input port.

10.8 Key Input Interrupt

Of P10_4 to P10_7, a key input interrupt request is generated when input on any of pins P10_4 to P10_7 which has had bits PD10_4 to PD10_7 in the PD10 register set to 0 (input) goes low. Key input interrupts can be used as a key-on wake up function, the function which gets the MCU out of wait or stop mode. However, if you intend to use the key input interrupt, do not use P10_4 to P10_7 as analog input ports. Figure 10.12 shows the Key Input Interrupt Block Diagram. Note, however, that while input on any pin which has had bits PD10_4 to PD10_7 set to 0 (input mode) is pulled low, inputs on all other pins of the port are not detected as interrupts.

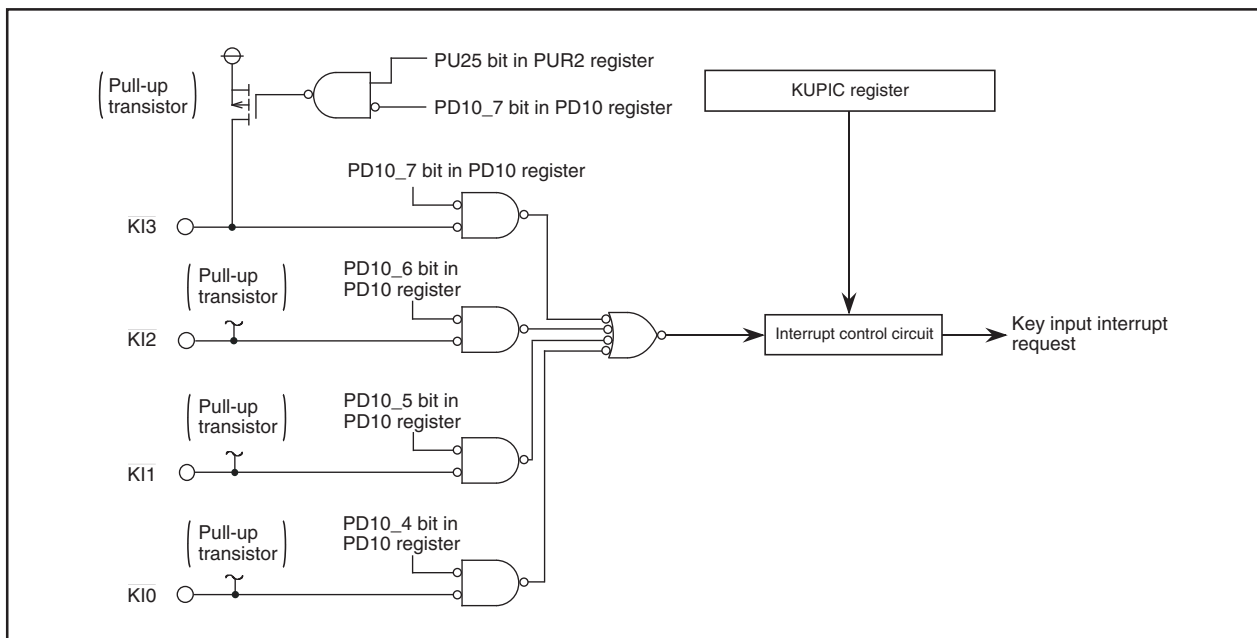


Figure 10.12 Key Input Interrupt Block Diagram

10.9 CAN0 Wake-up Interrupt

CAN0 wake-up interrupt request is generated when a falling edge is input to CRX0. The CAN0 wake-up interrupt is enabled only when the PortEn bit = 1 (CTX/CRX function) and Sleep bit = 1 (sleep mode enabled) in the C0CTLR register. Figure 10.13 shows the CAN0 Wake-up Interrupt Block Diagram. Please note that the wake-up message will be lost.

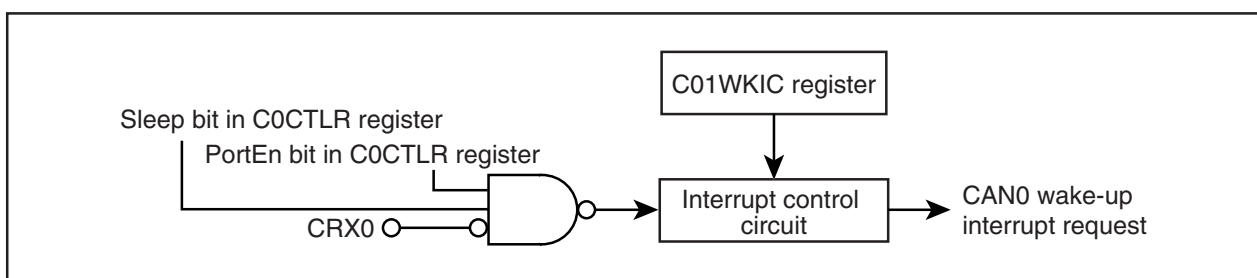


Figure 10.13 CAN0 Wake-up Interrupt Block Diagram

10.10 Address Match Interrupt

An address match interrupt request is generated immediately before executing the instruction at the address indicated by the RMAD_i register ($i = 0$ to 3). Set the start address of any instruction in the RMAD_i register. Use bits AIER0 and AIER1 in the AIER register and bits AIER20 and AIER21 in the AIER2 register to enable or disable the interrupt. Note that the address match interrupt is unaffected by the I flag and IPL. For address match interrupts, the value of the PC that is saved to the stack area varies depending on the instruction being executed (refer to **10.5.7 Saving Registers**). (The value of the PC that is saved to the stack area is not the correct return address.) Therefore, follow one of the methods described below to return from the address match interrupt.

- Rewrite the content of the stack and then use the REIT instruction to return.
- Restore the stack to its previous state before the interrupt request was accepted by using the POP or similar other instruction and then use a jump instruction to return.

Table 10.6 shows the Value of PC that is Saved to Stack Area when Address Match Interrupt Request is Accepted. Table 10.7 shows the Relationship between Address Match Interrupt Sources and Associated Registers.

Note that when using the external bus in 8-bit width, no address match interrupts can be used for external areas.

Figure 10.14 shows Registers AIER, AIER2, and RMAD0 to RMAD3.

Table 10.6 Value of PC that is Saved to Stack Area when Address Match Interrupt Request is Accepted

Instruction at Address Indicated by RMAD _i Register	Value of PC that is Saved to Stack Area
<ul style="list-style-type: none"> • 16-bit operation code instruction • Instruction shown below among 8-bit operation code instructions <pre> ADD.B:S #IMM8,dest SUB.B:S #IMM8,dest AND.B:S #IMM8,dest OR.B:S #IMM8,dest MOV.B:S #IMM8,dest STZ.B:S #IMM8,dest STNZ.B:S #IMM8,dest STZX.B:S #IMM81,#IMM82,dest CMP.B:S #IMM8,dest PUSHM src POPM dest JMPS #IMM8 JSRS #IMM8 MOV.B:S #IMM,dest (However, dest = A0 or A1) </pre>	Address indicated by RMAD _i register + 2
Instructions other than the above	Address indicated by RMAD _i register + 1

Value of PC that is saved to stack area: Refer to **10.5.7 Saving Registers**.

Table 10.7 Relationship between Address Match Interrupt Sources and Associated Registers

Address Match Interrupt Sources	Address Match Interrupt Enable Bit	Address Match Interrupt Register
Address match interrupt 0	AIER0	RMAD0
Address match interrupt 1	AIER1	RMAD1
Address match interrupt 2	AIER20	RMAD2
Address match interrupt 3	AIER21	RMAD3

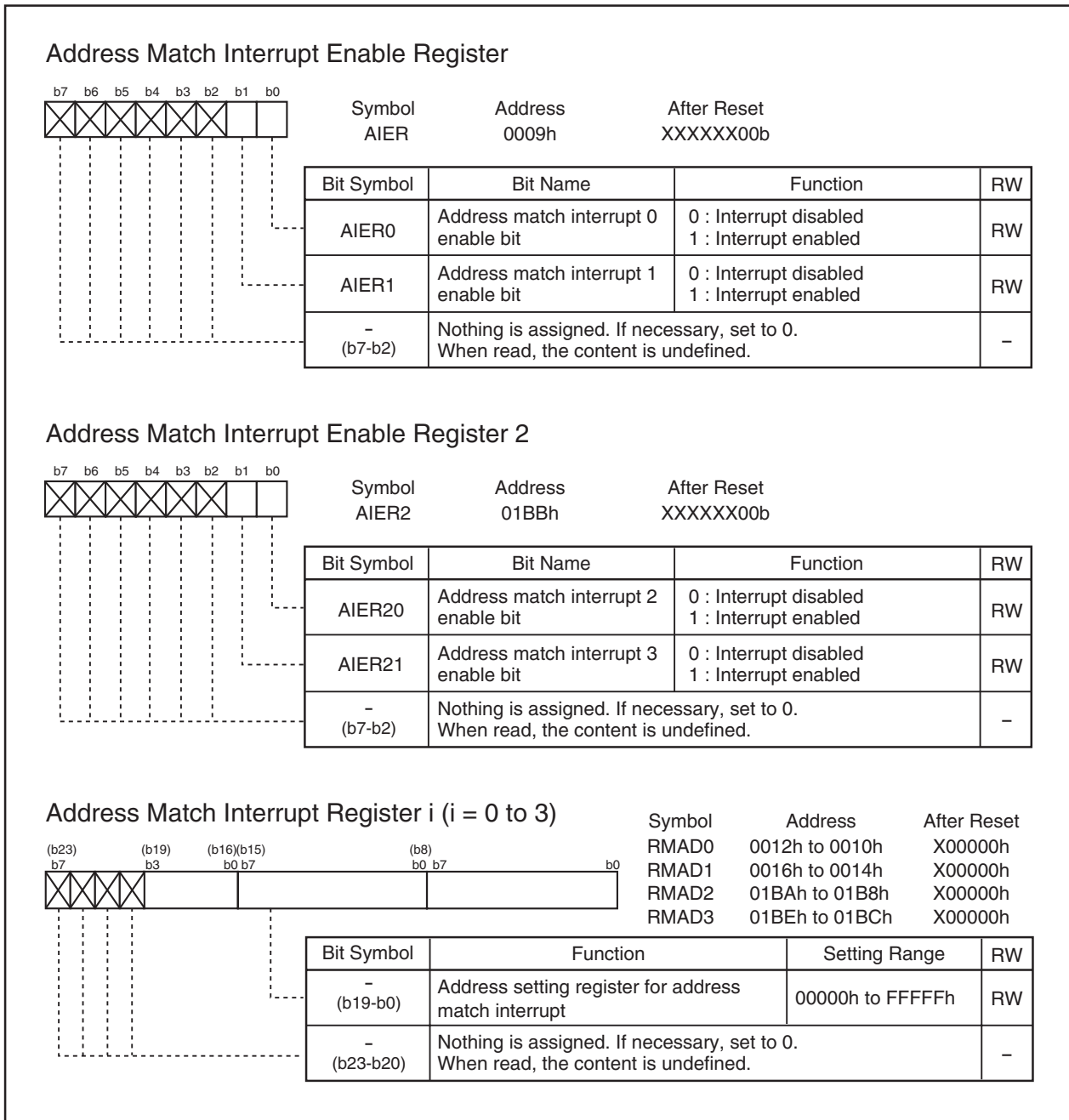


Figure 10.14 Registers AIER, AIER2, and RMAD0 to RMAD3

11. Watchdog Timer

The watchdog timer is the function of detecting when the program is out of control. Therefore, we recommend using the watchdog timer to improve reliability of a system. The watchdog timer contains a 15-bit counter which counts down the clock derived by dividing the CPU clock using the prescaler. Whether to generate a watchdog timer interrupt request or apply a watchdog timer reset as an operation to be performed when the watchdog timer underflows after reaching the terminal count can be selected using the PM12 bit in the PM1 register. The PM12 bit can only be set to 1 (watchdog timer reset). Once this bit is set to 1, it cannot be set to 0 (watchdog timer interrupt) in a program. Refer to **5.3 Watchdog Timer Reset** for details about watchdog timer reset.

When the main clock, on-chip oscillator clock or PLL clock is selected for CPU clock, the divide-by-n value for the prescaler can be selected to be 16 or 128. If a sub clock is selected for CPU clock, the divide-by-n value for the prescaler is always 2 no matter how the WDC7 bit is set. The period of watchdog timer can be calculated as given below. The period of watchdog timer is, however, subject to an error due to the prescaler.

With main clock, on-chip oscillator clock or PLL clock selected for CPU clock

$$\text{Watchdog timer period} = \frac{\text{Prescaler dividing (16 or 128)} \times \text{Watchdog timer count (32768)}}{\text{CPU clock}}$$

With sub clock selected for CPU clock

$$\text{Watchdog timer period} = \frac{\text{Prescaler dividing (2)} \times \text{Watchdog timer count (32768)}}{\text{CPU clock}}$$

For example, when CPU clock = 16 MHz and the divide-by-n value for the prescaler = 16, the watchdog timer period is approx. 32.8 ms.

The watchdog timer is initialized by writing to the WDTS register. The prescaler is initialized after reset. Note that the watchdog timer and the prescaler both are inactive after reset, so that the watchdog timer is activated to start counting by writing to the WDTS register.

In stop mode, wait mode and hold state, the watchdog timer and prescaler are stopped. Counting is resumed from the held value when the modes or state are released.

Figure 11.1 shows the Watchdog Timer Block Diagram. Figure 11.2 shows Registers WDC and WDTS.

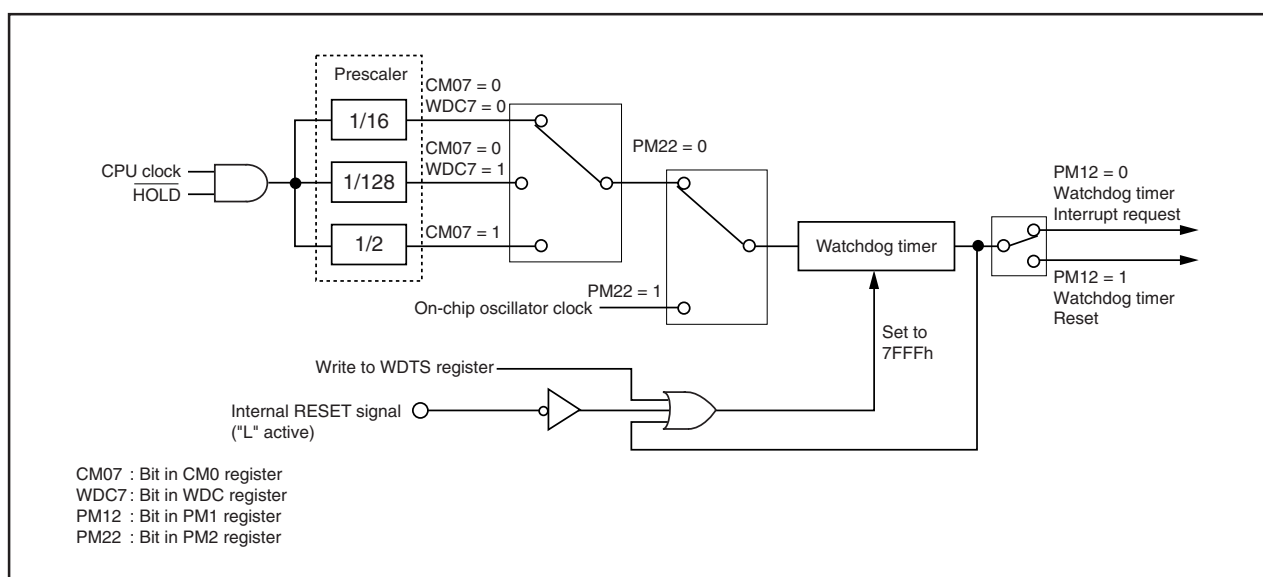


Figure 11.1 Watchdog Timer Block Diagram

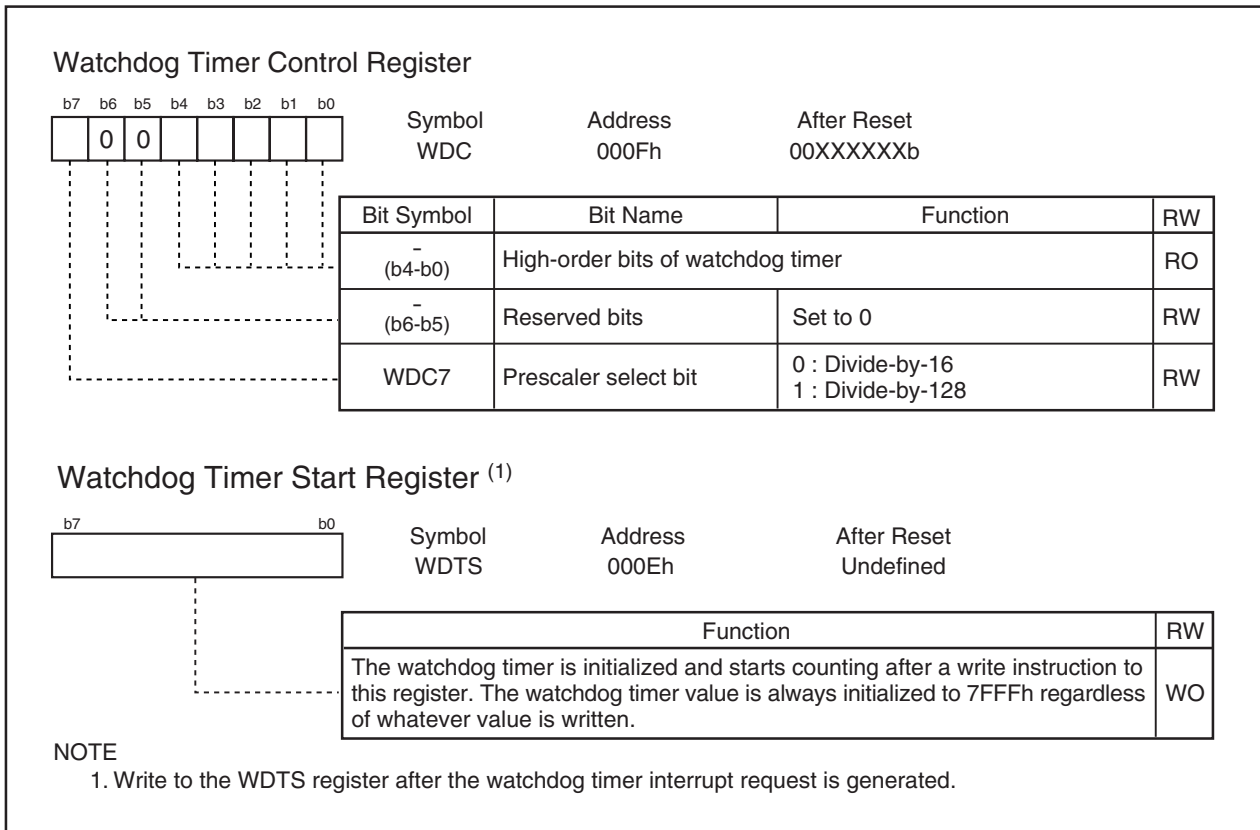


Figure 11.2 Registers WDC and WDTS

11.1 Count Source Protective Mode

In this mode, a on-chip oscillator clock is used for the watchdog timer count source. The watchdog timer can be kept being clocked even when CPU clock stops as a result of runaway.

Before this mode can be used, the following register settings are required:

- (1) Set the PRC1 bit in the PRCR register to 1 (write to registers PM1 and PM2 enabled).
- (2) Set the PM12 bit in the PM1 register to 1 (reset when the watchdog timer underflows).
- (3) Set the PM22 bit in the PM2 register to 1 (on-chip oscillator clock used for the watchdog timer count source).
- (4) Set the PRC1 bit in the PRCR register to 0 (write to registers PM1 and PM2 disabled).
- (5) Write to the WDTS register (watchdog timer starts counting).

Setting the PM22 bit to 1 results in the following conditions:

- The on-chip oscillator starts oscillating, and the on-chip oscillator clock becomes the watchdog timer count source.

$$\text{Watchdog timer period} = \frac{\text{Watchdog timer count (32768)}}{\text{On-chip oscillator clock}}$$

- The CM10 bit in the CM1 register is disabled against write. (Writing a 1 has no effect, nor is stop mode entered.)
- The watchdog timer does not stop when in wait mode or hold state.

12. DMAC

The DMAC (Direct Memory Access Controller) allows data to be transferred without the CPU intervention. Two DMAC channels are included. Each time a DMA request occurs, the DMAC transfers one (8- or 16-bit) data from the source address to the destination address. The DMAC uses the same data bus as used by the CPU. Because the DMAC has higher priority of bus control than the CPU and because it makes use of a cycle steal method, it can transfer one word (16 bits) or one byte (8 bits) of data within a very short time after a DMA request is generated. Figure 12.1 shows the DMAC Block Diagram. Table 12.1 lists the DMAC Specifications. Figures 12.2 to 12.4 show the DMAC related-registers.

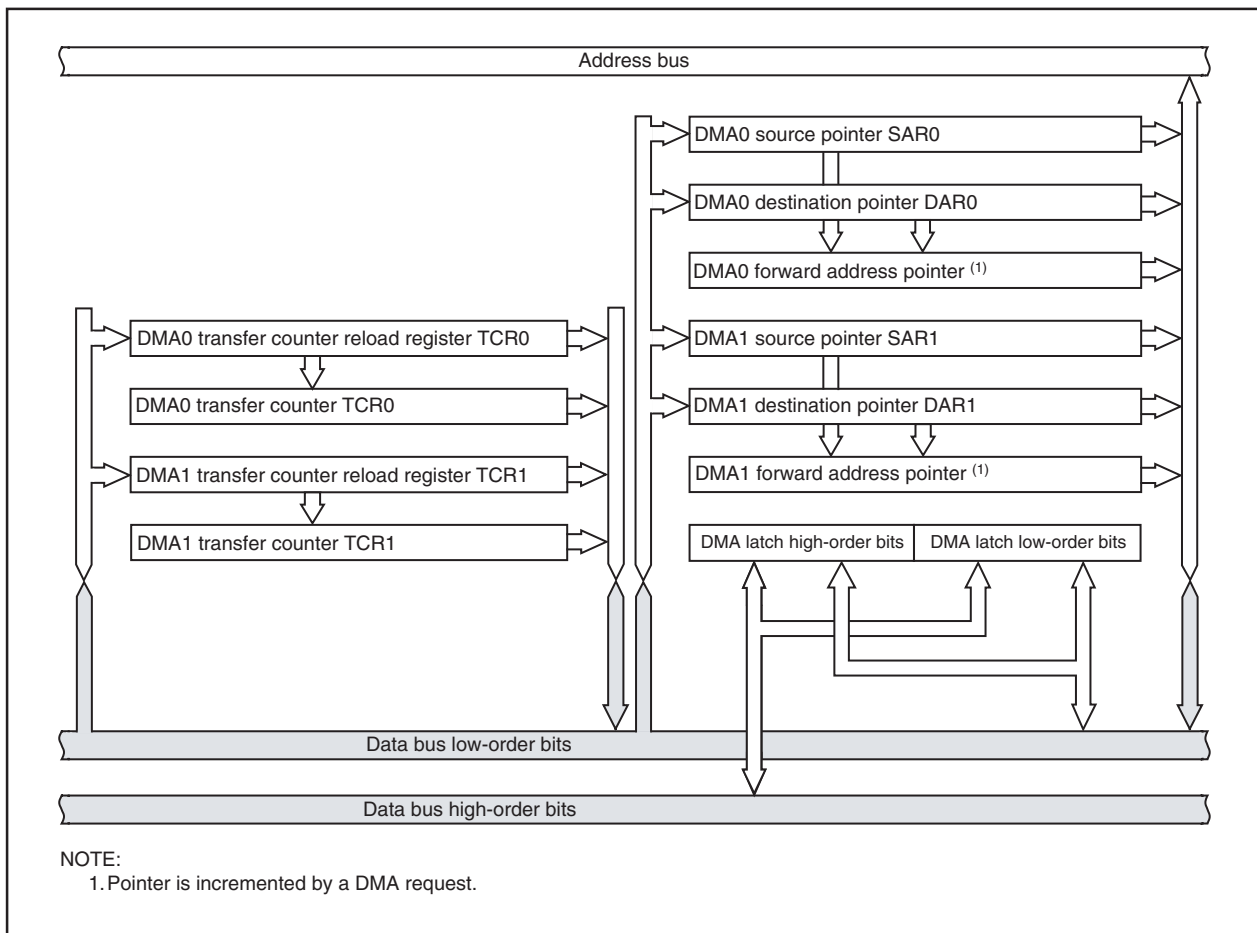


Figure 12.1 DMAC Block Diagram

A DMA request is generated by a write to the DSR bit in the DMiSL register ($i = 0, 1$), as well as by an interrupt request which is generated by any function specified by bits DMS, and DSEL3 to DSEL0 in the DMiSL register. However, unlike in the case of interrupt requests, DMA requests are not affected by the I flag and the interrupt control register, so that even when interrupt requests are disabled and no interrupt request can be accepted, DMA requests are always accepted. Furthermore, because the DMAC does not affect interrupts, the IR bit in the interrupt control register does not change state due to a DMA transfer.

A data transfer is initiated each time a DMA request is generated when the DMAE bit in the DMiCON register = 1 (DMA enabled). However, if the cycle in which a DMA request is generated is faster than the DMA transfer cycle, the number of transfer requests generated and the number of times data is transferred may not match. For details, refer to **12.4 DMA Request**.

Table 12.1 DMAC Specifications

Item		Specification
No. of channels		2 (cycle steal method)
Transfer memory space		<ul style="list-style-type: none"> • From given address in the 1-Mbyte space to a fixed address • From a fixed address to given address in the 1-Mbyte space • From a fixed address to a fixed address
Maximum no. of bytes transferred		128 Kbytes (with 16-bit transfer) or 64 Kbytes (with 8-bit transfer)
DMA request sources ^{(1) (2)}		Falling edge of INT0 or INT1 Both edge of $\overline{\text{INT0}}$ or $\overline{\text{INT1}}$ Timers A0 to A4 interrupt requests Timers B0 to B5 interrupt requests UART0 transmit, UART0 receive interrupt requests UART1 transmit, UART1 receive interrupt requests UART2 transmit, UART2 receive interrupt requests SI/O3 interrupt request A/D conversion interrupt requests Software triggers
Channel priority		DMA0 > DMA1 (DMA0 takes precedence)
Transfer unit		8 bits or 16 bits
Transfer address direction		forward or fixed (The source and destination addresses cannot both be in the forward direction.)
Transfer mode	Single transfer	Transfer is completed when the DMA _i transfer counter underflows after reaching the terminal count.
	Repeat transfer	When the DMA _i transfer counter underflows, it is reloaded with the value of the DMA _i transfer counter reload register and a DMA transfer is continued with it.
DMA interrupt request generation timing		When the DMA _i transfer counter underflowed
DMA start up		Data transfer is initiated each time a DMA request is generated when the DMAE bit in the DMA _i CON register = 1 (enabled).
DMA shutdown	Single transfer	<ul style="list-style-type: none"> • When the DMAE bit is set to 0 (disabled) • After the DMA_i transfer counter underflows
	Repeat transfer	When the DMAE bit is set to 0 (disabled)
Reload timing for forward address pointer and transfer counter		When a data transfer is started after setting the DMAE bit to 1 (enabled), the forward address pointer is reloaded with the value of the SAR _i or the DAR _i pointer whichever is specified to be in the forward direction and the DMA _i transfer counter is reloaded with the value of the DMA _i transfer counter reload register.
DMA transfer cycles		Minimum 3 cycles between SFR and internal RAM

i = 0, 1

NOTES:

1. DMA transfer is not effective to any interrupt. DMA transfer is affected neither by the I flag nor by the interrupt control register.
2. The selectable DMA request sources differ with each channel.
3. Make sure that no DMAC-related registers (addresses 0020h to 003Fh) are accessed by the DMAC.

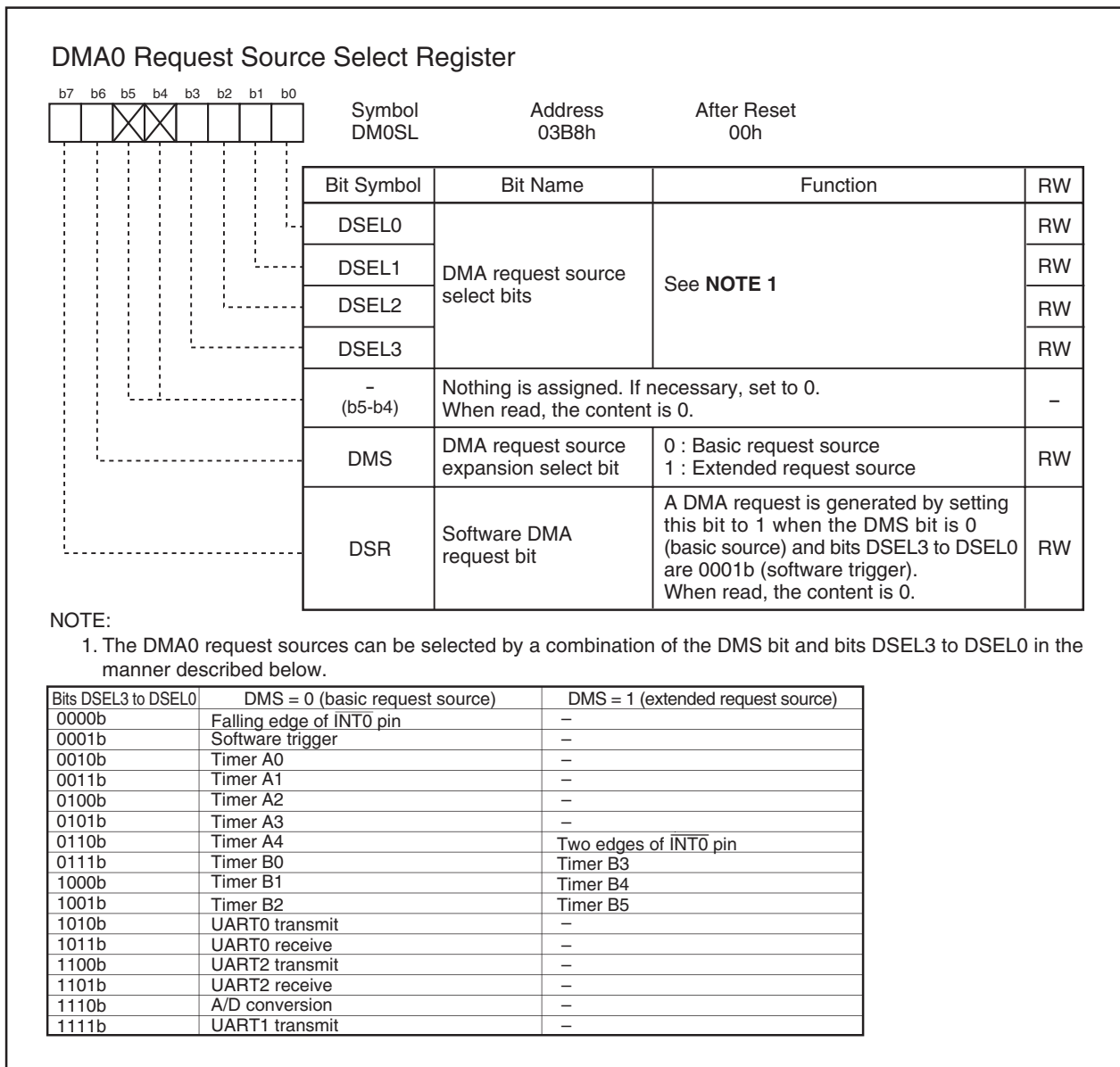


Figure 12.2 DM0SL Register

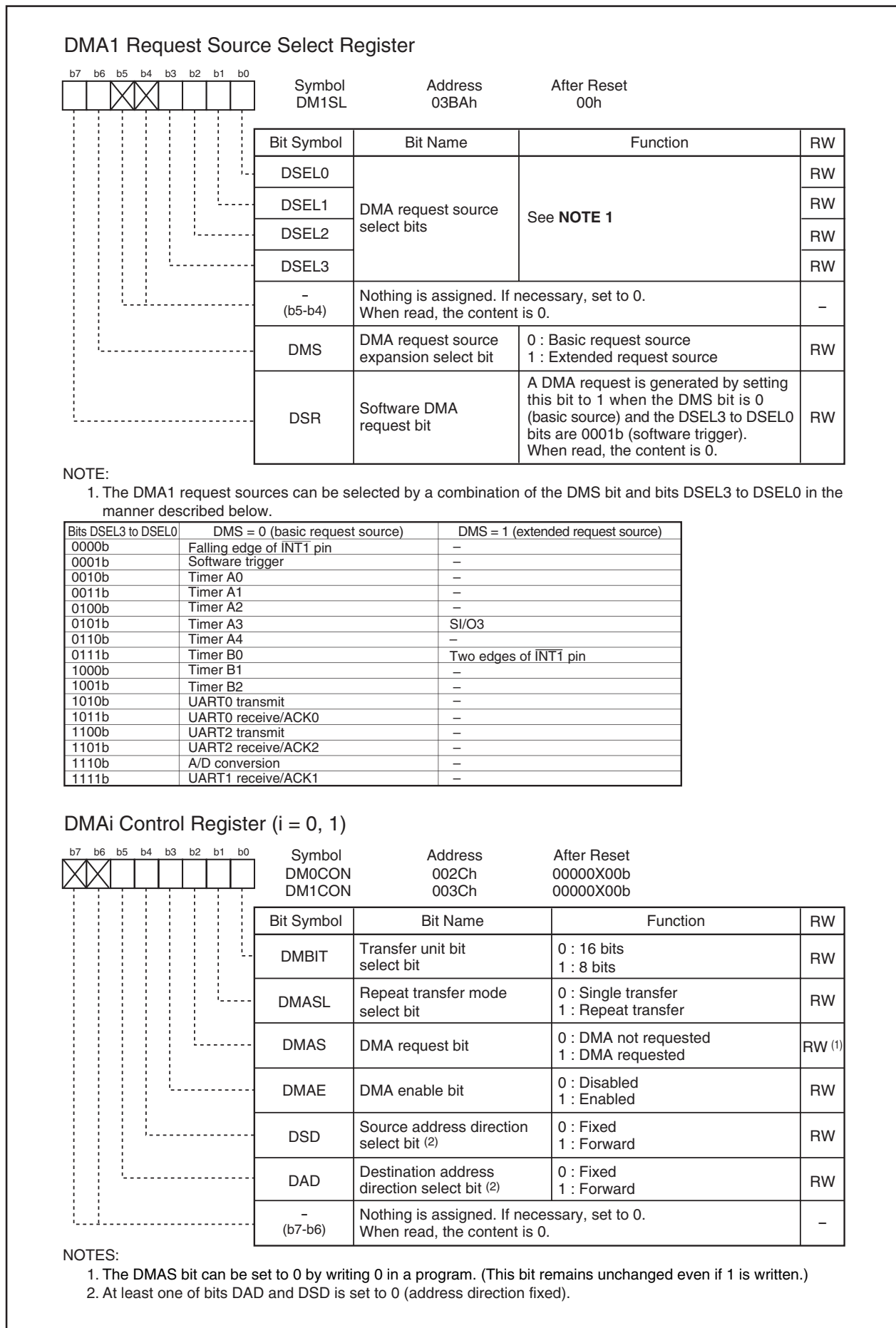


Figure 12.3 Registers DM1SL, DM0CON, and DM1CON

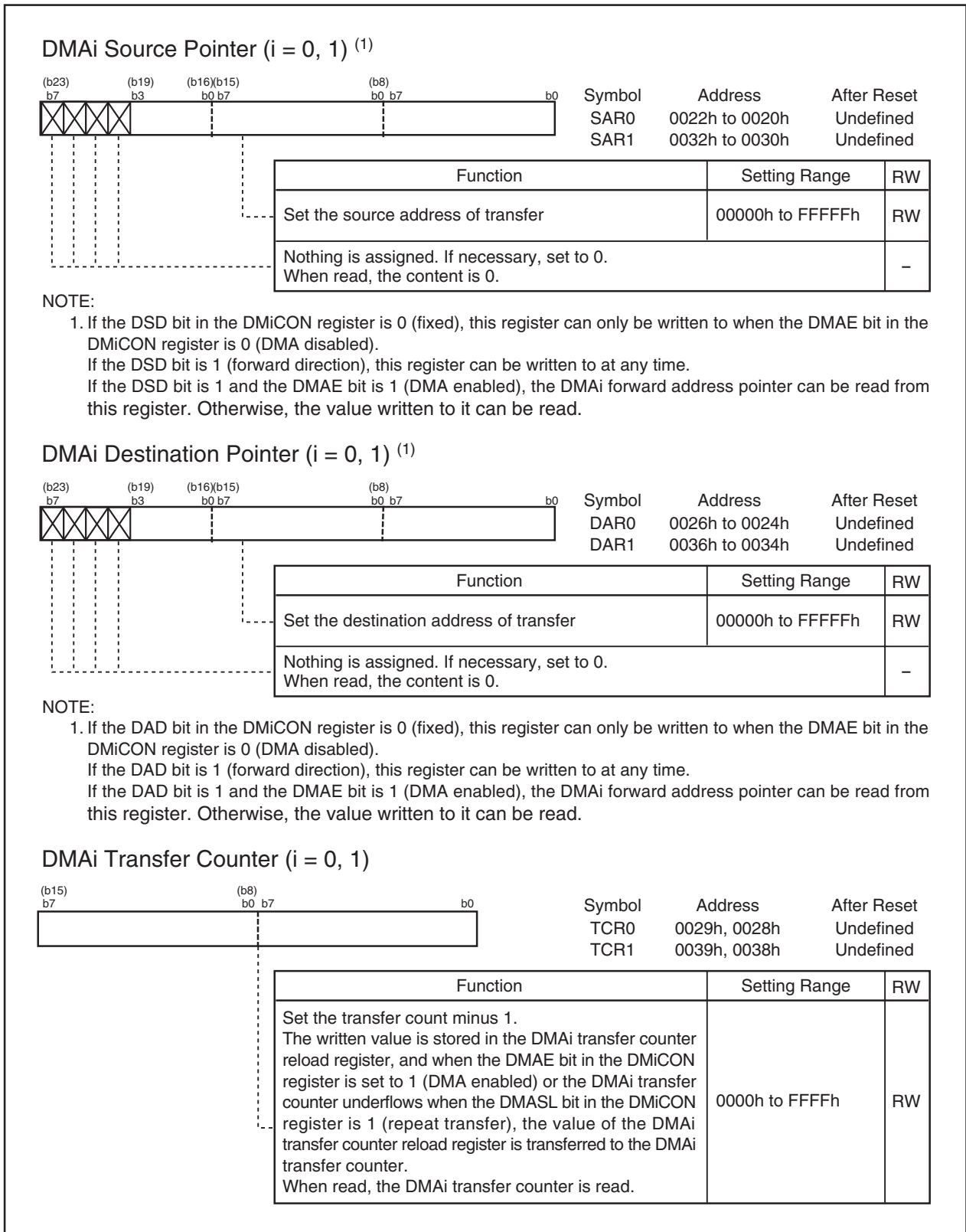


Figure 12.4 Registers SAR0, SAR1, DAR0, DAR1, TCR0, and TCR1

12.1 Transfer Cycle

The transfer cycle consists of a memory or SFR read (source read) bus cycle and a write (destination write) bus cycle. The number of read and write bus cycles is affected by the source and destination addresses of transfer. During memory expansion and microprocessor modes, it is also affected by the BYTE pin level. Furthermore, the bus cycle itself is extended by a software wait or RDY signal.

12.1.1 Effect of Source and Destination Addresses

If the transfer unit and data bus both are 16 bits and the source address of transfer begins with an odd address, the source read cycle consists of one more bus cycle than when the source address of transfer begins with an even address.

Similarly, if the transfer unit and data bus both are 16 bits and the destination address of transfer begins with an odd address, the destination write cycle consists of one more bus cycle than when the destination address of transfer begins with an even address.

12.1.2 Effect of BYTE Pin Level

During memory expansion and microprocessor modes, if 16 bits of data are to be transferred on an 8-bit data bus (input on the BYTE pin = high), the operation is accomplished by transferring 8 bits of data twice. Therefore, this operation requires two bus cycles to read data and two bus cycles to write data.

Furthermore, if the DMAC is to access the internal area (internal ROM, internal RAM, or SFR), unlike in the case of the CPU, the DMAC does it through the data bus width selected by the BYTE pin.

12.1.3 Effect of Software Wait

For memory or SFR accesses in which one or more software wait states are inserted, the number of bus cycles required for that access increases by an amount equal to software wait states.

12.1.4 Effect of $\overline{\text{RDY}}$ Signal

During memory expansion and microprocessor modes, DMA transfers to and from an external area are affected by the $\overline{\text{RDY}}$ signal. Refer to **7.2.6 $\overline{\text{RDY}}$ Signal**.

Figure 12.5 shows the Transfer Cycles for Source Read. For convenience, the destination write cycle is shown as one cycle and the source read cycles for the different conditions are shown. In reality, the destination write cycle is subject to the same conditions as the source read cycle, with the transfer cycle changing accordingly. When calculating transfer cycles, take into consideration each condition for the source read and the destination write cycle, respectively. For example, when data is transferred in 16-bit unit using an 8-bit bus ((2) on Figure 12.5), two source read bus cycles and two destination write bus cycles are required.

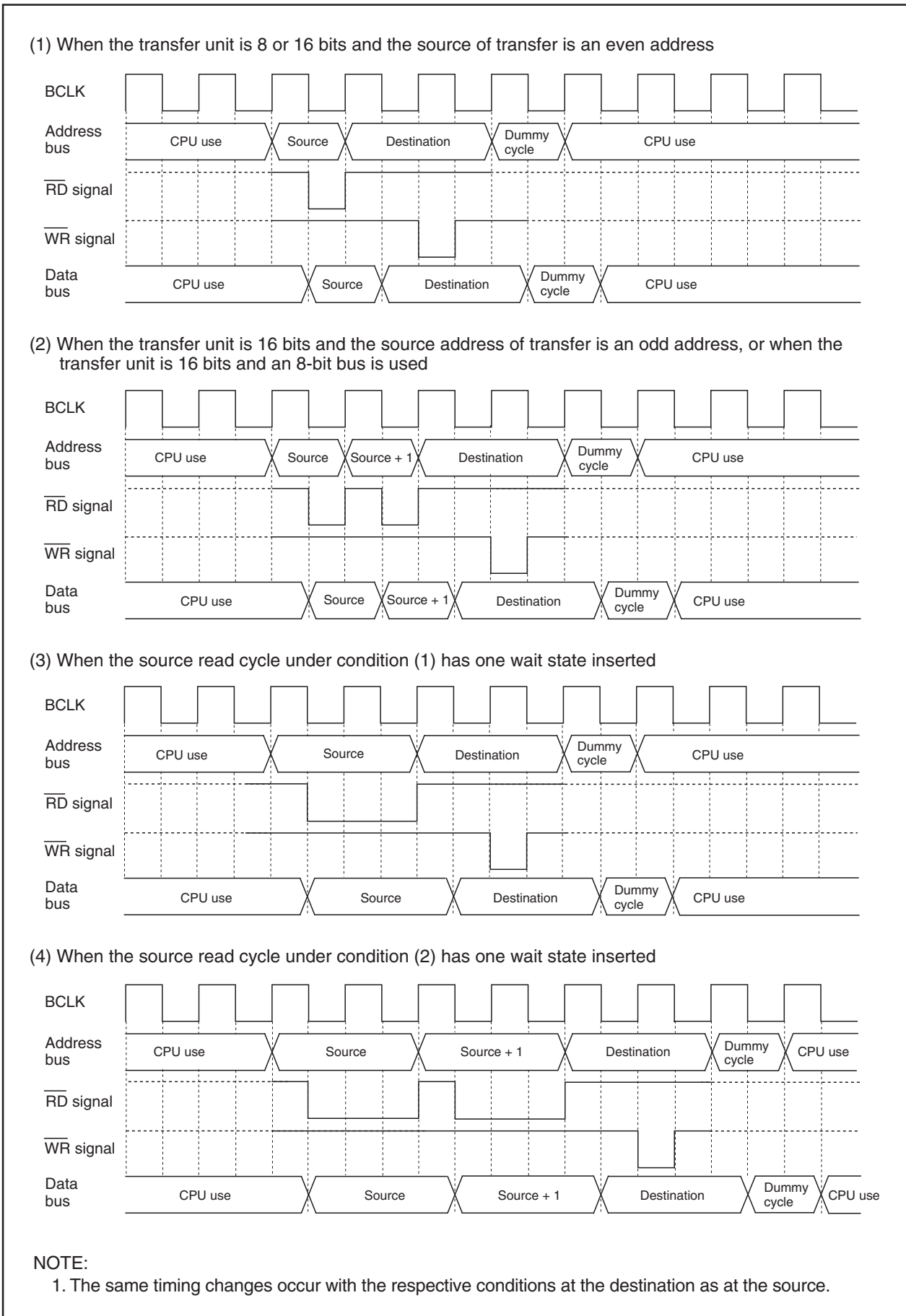


Figure 12.5 Transfer Cycles for Source Read

12.2 DMA Transfer Cycles

Any combination of even or odd transfer read and write addresses is possible.

Table 12.2 lists the DMA Transfer Cycles. Table 12.3 lists the Coefficient j, k.

The number of DMAC transfer cycles can be calculated as follows:

$$\text{No. of transfer cycles per transfer unit} = \text{No. of read cycles} \times j + \text{No. of write cycles} \times k$$

Table 12.2 DMA Transfer Cycles

Transfer Unit	Bus Width	Access Address	Single-chip Mode		Memory Expansion Mode Microprocessor Mode	
			No. of Read Cycles	No. of Write Cycles	No. of Read Cycles	No. of Write Cycles
8-bit transfer (DMBIT = 1)	16 bits (BYTE = L)	Even	1	1	1	1
		Odd	1	1	1	1
	8 bits (BYTE = H)	Even	-	-	1	1
		Odd	-	-	1	1
16-bit transfer (DMBIT = 0)	16 bits (BYTE = L)	Even	1	1	1	1
		Odd	2	2	2	2
	8 bits (BYTE = H)	Even	-	-	2	2
		Odd	-	-	2	2

-: This condition does not exist.

Table 12.3 Coefficient j, k

	Internal Area				External Area							
	Internal ROM, RAM		SFR		Separate Bus				Multiplexed Bus			
	No Wait	With Wait	1 Wait ⁽¹⁾	2 Waits ⁽¹⁾	No Wait	With Wait ⁽²⁾			With Wait ⁽²⁾			
						1 Wait	2 Waits	3 Waits	1 Wait	2 Waits	3 Waits	
j	1	2	2	3	1	2	3	4	3	3	4	
k	1	2	2	3	2	2	3	4	3	3	4	

NOTES:

1. Depends on the set value of the PM20 bit in the PM2 register.
2. Depends on the set value of the CSE register.

12.3 DMA Enable

When a data transfer starts after setting the DMAE bit in the DMiCON register ($i = 0, 1$) to 1 (enabled), the DMAC operates as follows:

- (1) Reload the forward address pointer with the SARi register value when the DSD bit in the DMiCON register is 1 (forward) or the DARi register value when the DAD bit in the DMiCON register is 1 (forward).
- (2) Reload the DMAi transfer counter with the DMAi transfer counter reload register value.

If the DMAE bit is set to 1 again while it remains set, the DMAC performs the above operation.

However, if a DMA request may occur simultaneously when the DMAE bit is being written, follow the steps below.

Step 1: Write 1 to the DMAE bit and DMAS bit in the DMiCON register simultaneously.

Step 2: Make sure that the DMAi is in an initial state as described above (1) and (2) in a program.

If the DMAi is not in an initial state, the above steps should be repeated.

12.4 DMA Request

The DMAC can generate a DMA request as triggered by the request source that is selected with bits DMS, and DSEL3 to DSEL0 in the DMiSL register ($i = 0, 1$) on either channel.

Table 12.4 lists the Timing at which DMAS Bit Changes State.

Whenever a DMA request is generated, the DMAS bit is set to 1 (DMA requested) regardless of whether or not the DMAE bit is set. If the DMAE bit was set to 1 (enabled) when this occurred, the DMAS bit is set to 0 (DMA not requested) immediately before a data transfer starts. This bit cannot be set to 1 in a program (it can only be set to 0).

The DMAS bit may be set to 1 when the DMS bit or bits DSEL3 to DSEL0 change state. Therefore, always be sure to set the DMAS bit to 0 after changing the DMS bit or bits DSEL3 to DSEL0.

Because if the DMAE bit is 1, a data transfer starts immediately after a DMA request is generated, the DMAS bit in almost all cases is 0 when read in a program. Read the DMAE bit to determine whether the DMAC is enabled.

Table 12.4 Timing at which DMAS Bit Changes State

DMA Source	DMAS Bit in DMiCON Register	
	Timing at which the bit is set to 1	Timing at which the bit is set to 0
Software trigger	When the DSR bit in the DMiSL register is set to 1	<ul style="list-style-type: none"> • Immediately before a data transfer starts • When set by writing 0 in a program
Peripheral function	When the interrupt control register for the peripheral function that is selected by bits DSEL3 to DSEL0, and DMS in the DMiSL register has its IR bit set to 1.	

$i = 0, 1$

12.5 Channel Priority and DMA Transfer Timing

If both DMA0 and DMA1 are enabled and DMA transfer request signals from DMA0 and DMA1 are detected active in the same sampling period (one period from a falling edge to the next falling edge of BCLK), the DMAS bit on each channel is set to 1 (DMA requested) at the same time. In this case, the DMA requests are arbitrated according to the channel priority, DMA0 > DMA1.

The following describes DMAC operation when DMA0 and DMA1 requests are detected active in the same sampling period.

Figure 12.6 shows an example of DMA Transfer by External Sources.

In Figure 12.6, DMA0 request having priority is received first to start a transfer when a DMA0 request and DMA1 request are generated simultaneously. After one DMA0 transfer is completed, a bus arbitration is returned to the CPU. When the CPU has completed one bus access, a DMA1 transfer starts. After one DMA1 transfer is completed, the bus arbitration is again returned to the CPU.

In addition, DMA requests cannot be counted up since each channel has one DMAS bit. Therefore, when DMA requests, as DMA1 in Figure 12.6, occurs more than one time, the DMAS bit is set to 0 as soon as getting the bus arbitration. The bus arbitration is returned to the CPU when one transfer is completed.

Refer to 7.2.7 **HOLD Signal** for details about bus arbitration between the CPU and DMA.

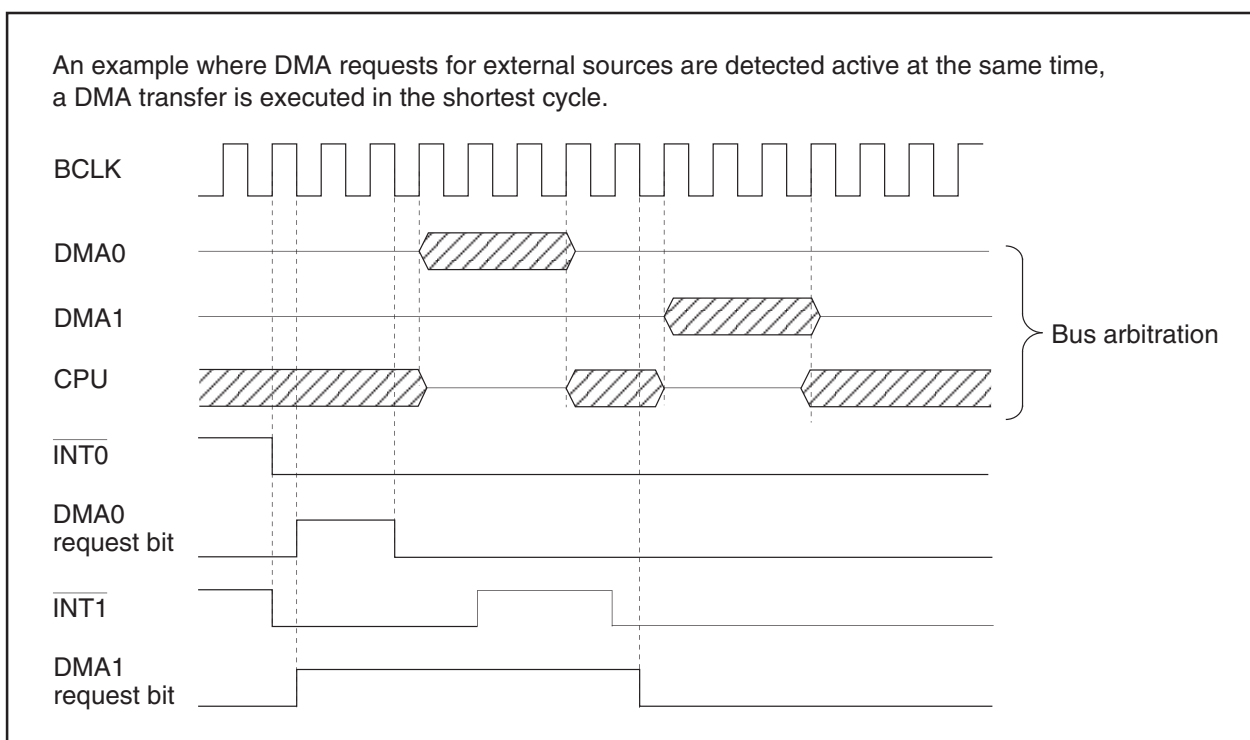


Figure 12.6 DMA Transfer by External Sources

13. Timers

Eleven 16-bit timers, each capable of operating independently of the others, can be classified by function as either timer A (five) and timer B (six). The count source for each timer acts as a clock, to control such timer operations as counting, reloading, etc.

Figures 13.1 and 13.2 show the Timer A and Timer B Configurations.

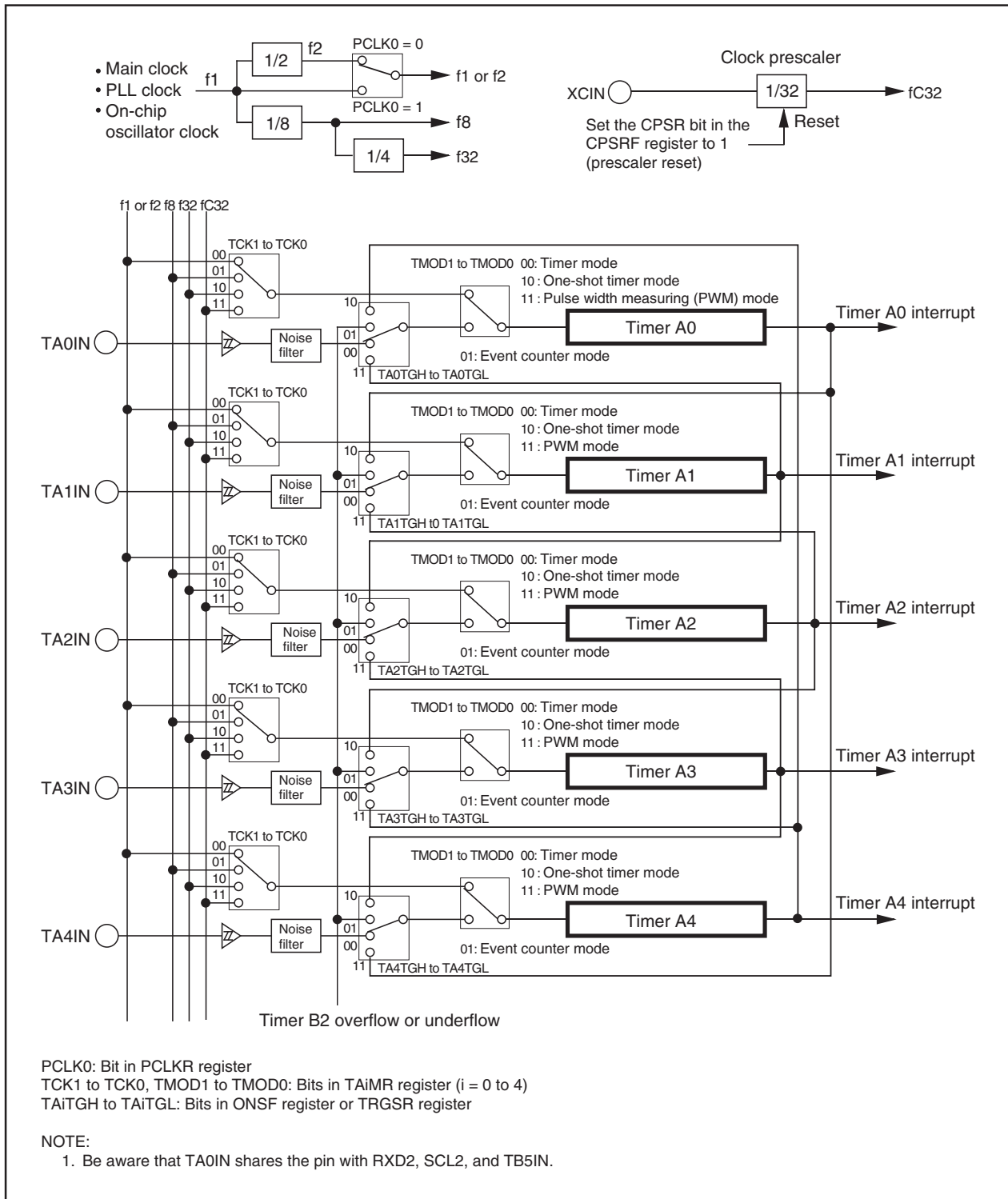


Figure 13.1 Timer A Configuration

13.1 Timer A

Figure 13.3 shows the Timer A Block Diagram. Figures 13.4 to 13.6 show the timer A-related registers. The timer A supports the following four modes. Except in event counter mode, timers A0 to A4 all have the same function. Use bits TMOD1 to TMOD0 in the TAI_iMR register (i = 0 to 4) to select the desired mode.

- Timer mode: The timer counts an internal count source.
- Event counter mode: The timer counts pulses from an external device or overflows and underflows of other timers.
- One-shot timer mode: The timer outputs a pulse only once before it reaches the minimum count 0000h.
- Pulse width modulation (PWM) mode: The timer outputs pulses in a given width successively.

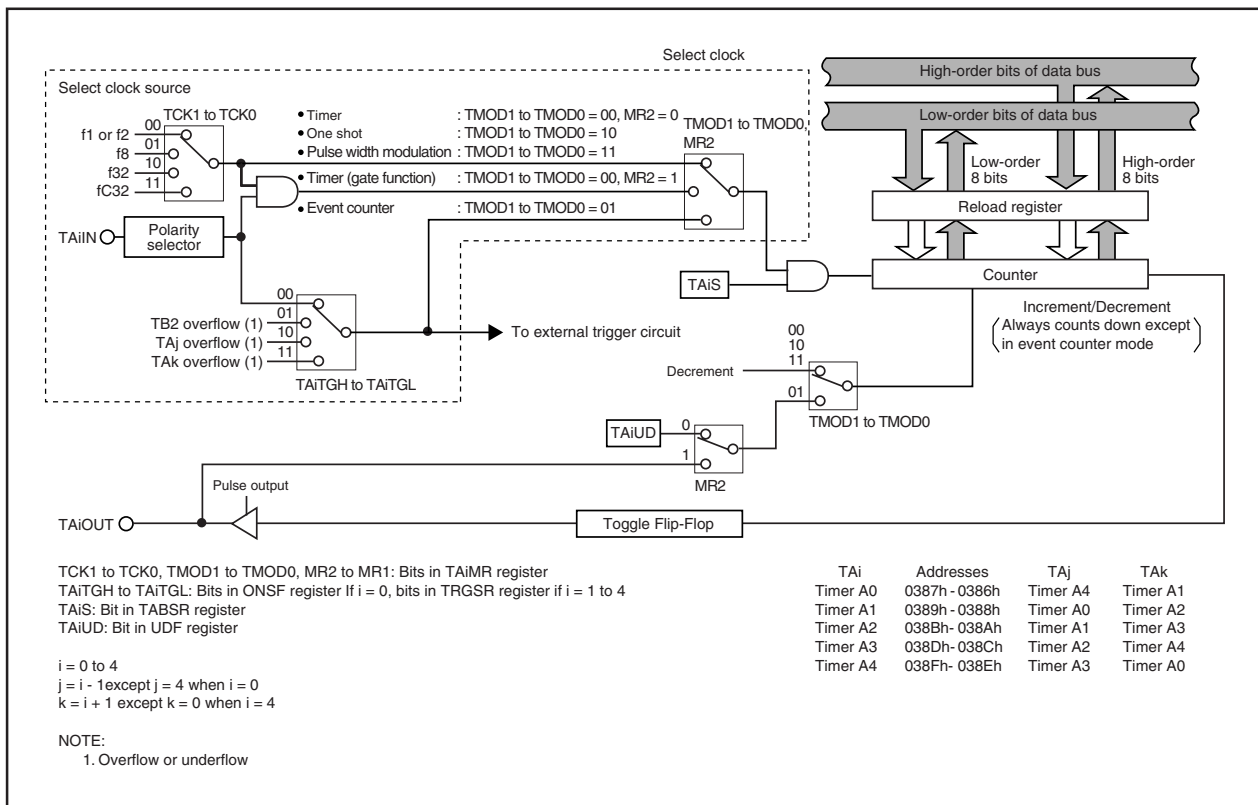


Figure 13.3 Timer A Block Diagram

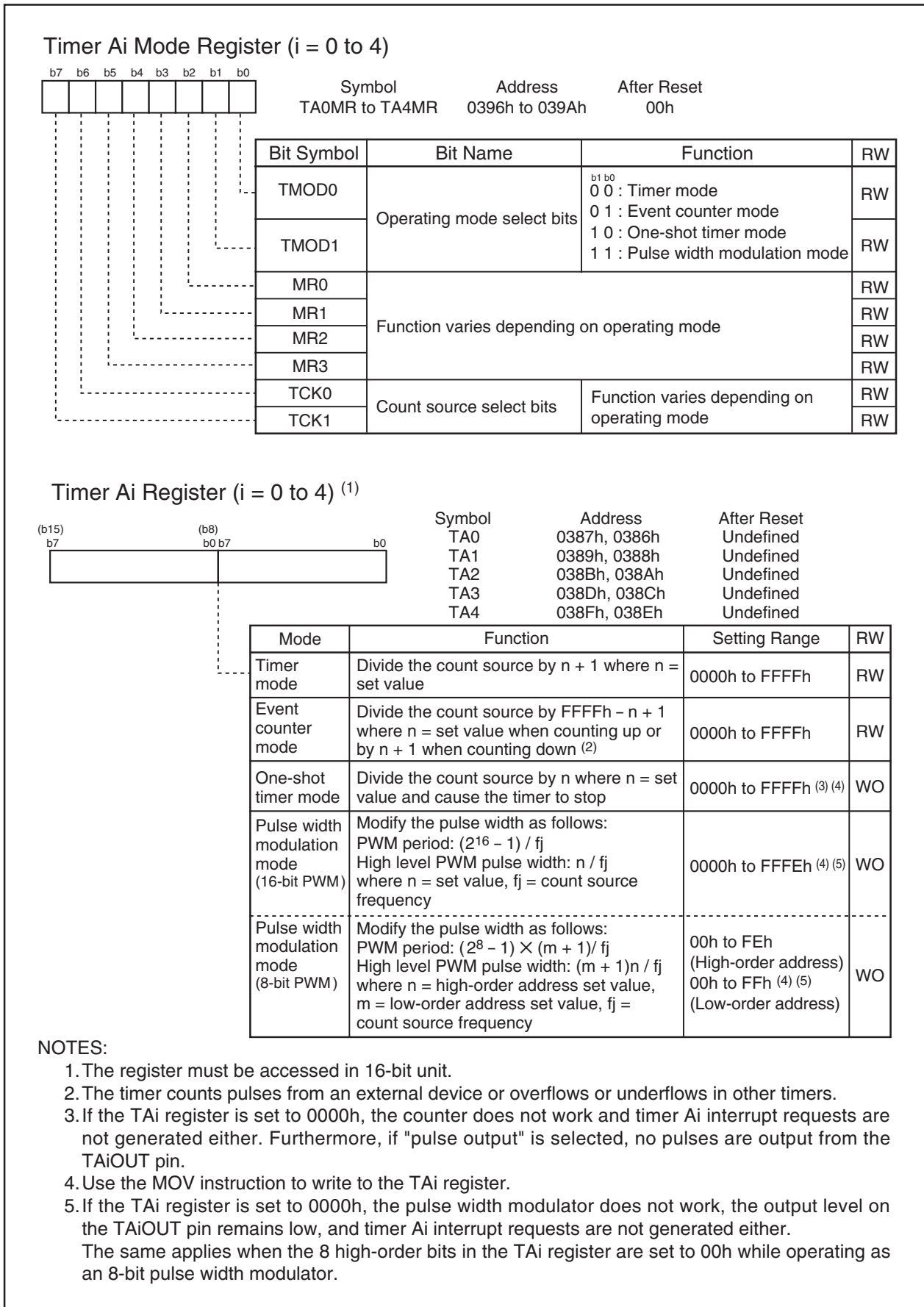


Figure 13.4 Registers TA0MR to TA4MR, and TA0 to TA4

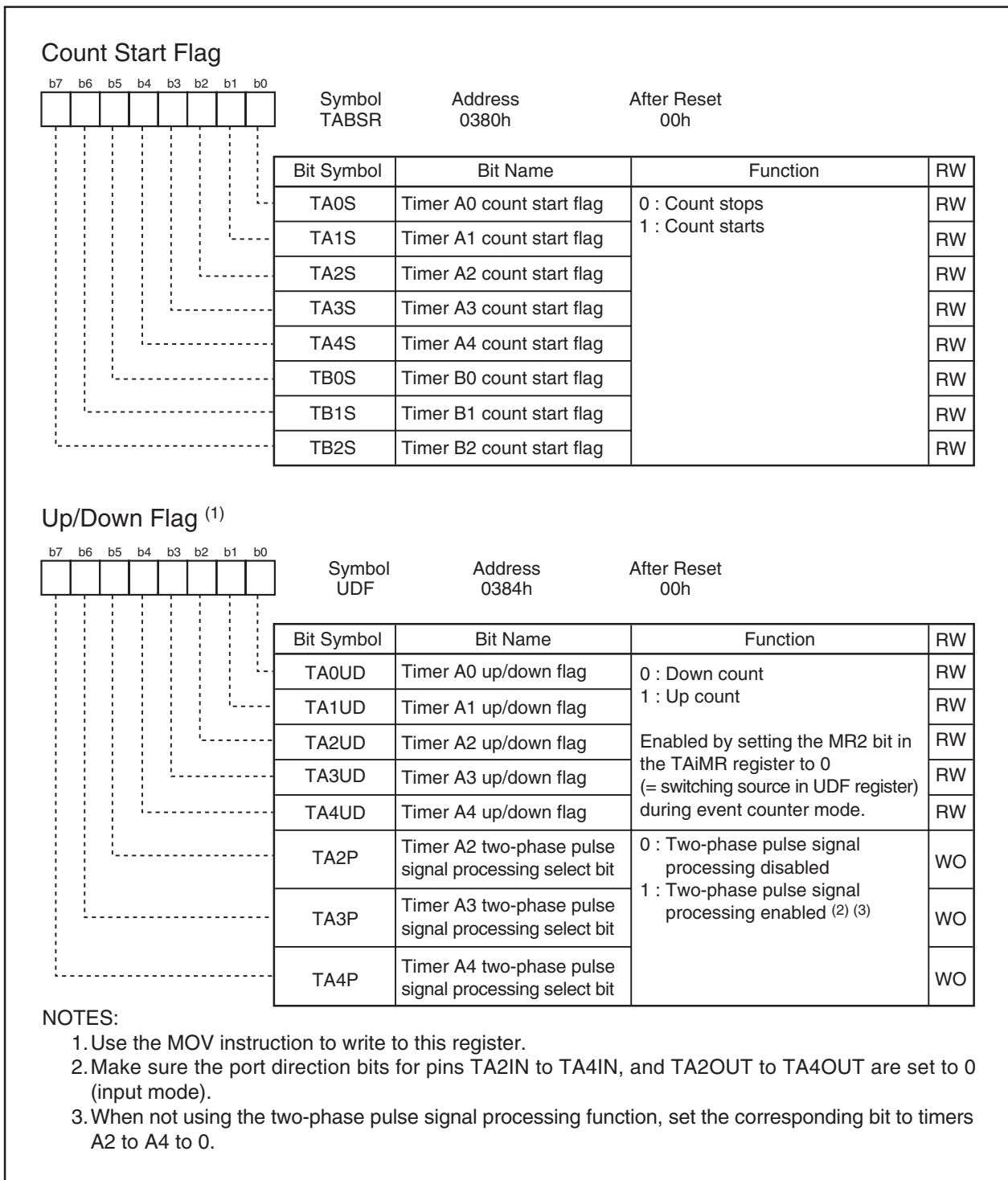


Figure 13.5 Registers TABSR and UDF

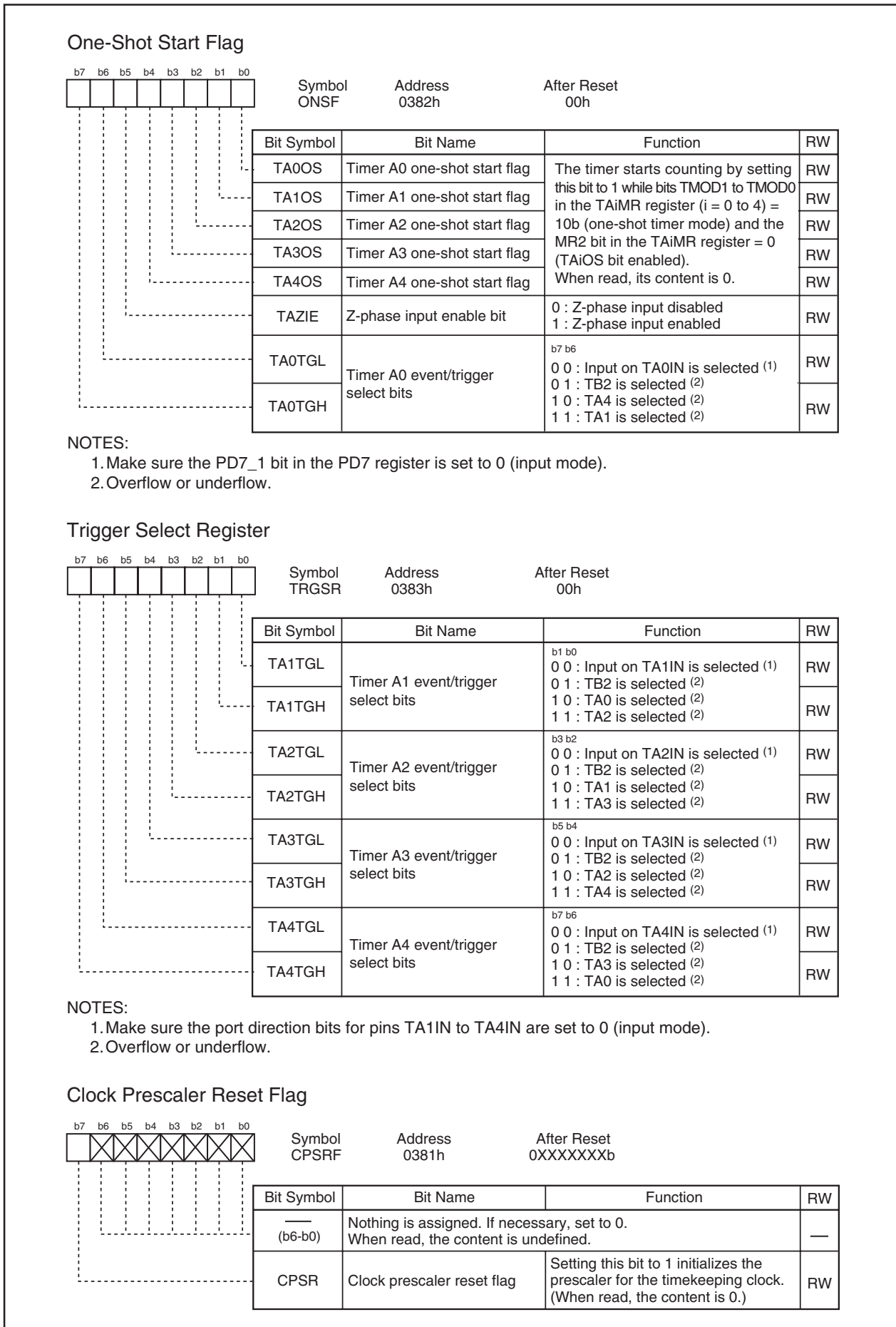


Figure 13.6 Registers ONSF, TRGSR, and CPSRF

13.1.1 Timer Mode

In timer mode, the timer counts a count source generated internally.

Table 13.1 lists the Timer Mode Specifications. Figure 13.7 shows Registers TA0MR to TA4MR in Timer Mode.

Table 13.1 Timer Mode Specifications

Item	Specification
Count source	f1, f2, f8, f32, fC32
Count operation	<ul style="list-style-type: none"> Down-count When the timer underflows, it reloads the reload register contents and continues counting
Divide ratio	1/(n+1) n: set value of the TAI register 0000h to FFFFh
Count start condition	Set the TAI _S bit in the TABSR register to 1 (count starts)
Count stop condition	Set the TAI _S bit to 0 (count stops)
Interrupt request generation timing	Timer underflow
TAiIN pin function	I/O port or gate input
TAiOUT pin function	I/O port or pulse output
Read from timer	Count value can be read by reading the TAI register
Write to timer	<ul style="list-style-type: none"> When not counting and until the 1st count source is input after counting start Value written to the TAI register is written to both reload register and counter When counting (after 1st count source input) Value written to the TAI register is written to only reload register (Transferred to counter when reloaded next)
Select function	<ul style="list-style-type: none"> Gate function Counting can be started and stopped by an input signal to TAIIN pin Pulse output function Whenever the timer underflows, the output polarity of TAIOUT pin is inverted. When TAI_S bit is set to 0 (count stops), the pin outputs a low.

i = 0 to 4

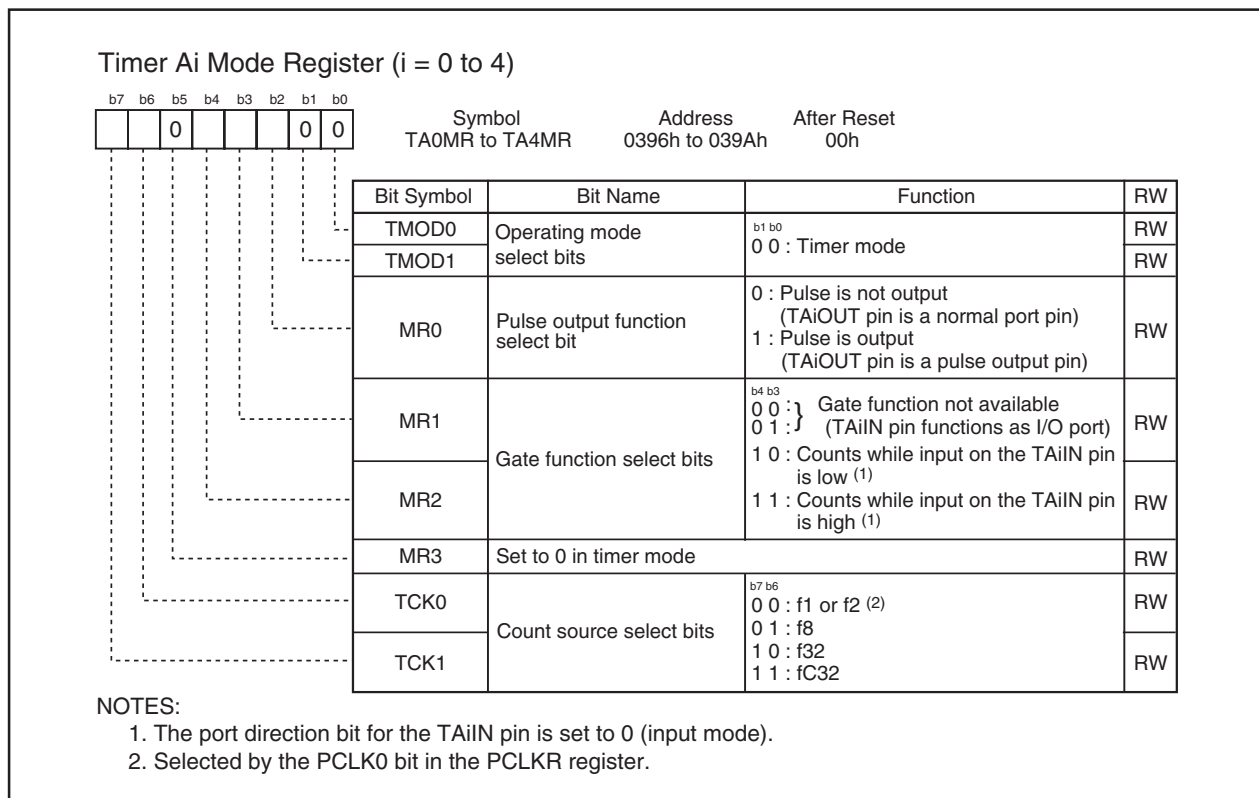


Figure 13.7 Registers TA0MR to TA4MR in Timer Mode

13.1.2 Event Counter Mode

In event counter mode, the timer counts pulses from an external device or overflows and underflows of other timers. Timers A2, A3, and A4 can count two-phase external signals. Table 13.2 lists the Event Counter Mode Specifications (when not using two-phase pulse signal processing). Figure 13.8 shows TAI_iMR Register in Event Counter Mode (when not using two-phase pulse signal processing). Table 13.3 lists the Event Counter Mode Specifications (when using two-phase pulse signal processing with timers A2, A3, and A4). Figure 13.9 shows Registers TA2MR to TA4MR in Event Counter Mode (when using two-phase pulse signal processing with timers A2, A3, and A4).

Table 13.2 Event Counter Mode Specifications (when not using two-phase pulse signal processing)

Item	Specification
Count source	<ul style="list-style-type: none"> External signals input to TAI_iN pin (effective edge can be selected in program) Timer B2 overflows or underflows, Timer A_j overflows or underflows, Timer A_k overflows or underflows
Count operation	<ul style="list-style-type: none"> Up-count or down-count can be selected by external signal or program When the timer overflows or underflows, it reloads the reload register contents and continues counting. When operating in free-running mode, the timer continues counting without reloading.
Divided ratio	1/ (FFFFh - n + 1) for up-count 1/ (n + 1) for down-count n : set value of the TAI register 0000h to FFFFh
Count start condition	Set the TAI _i S bit in the TABSR register to 1 (count starts)
Count stop condition	Set the TAI _i S bit to 0 (count stops)
Interrupt request generation timing	Timer overflow or underflow
TAI _i N pin function	I/O port or count source input
TAI _i OUT pin function	I/O port, pulse output, or up/down-count select input
Read from timer	Count value can be read by reading the TAI register
Write to timer	<ul style="list-style-type: none"> When not counting and until the 1st count source is input after counting start Value written to the TAI register is written to both reload register and counter When counting (after 1st count source input) Value written to the TAI register is written to only reload register (Transferred to counter when reloaded next)
Select function	<ul style="list-style-type: none"> Free-run count function Even when the timer overflows or underflows, the reload register content is not reloaded to it Pulse output function Whenever the timer underflows or underflows, the output polarity of TAI_iOUT pin is inverted. When TAI_iS bit is set to 0 (count stops), the pin outputs a low.

i = 0 to 4

j = i - 1, except j = 4 if i = 0

k = i + 1, except k = 0 if i = 4

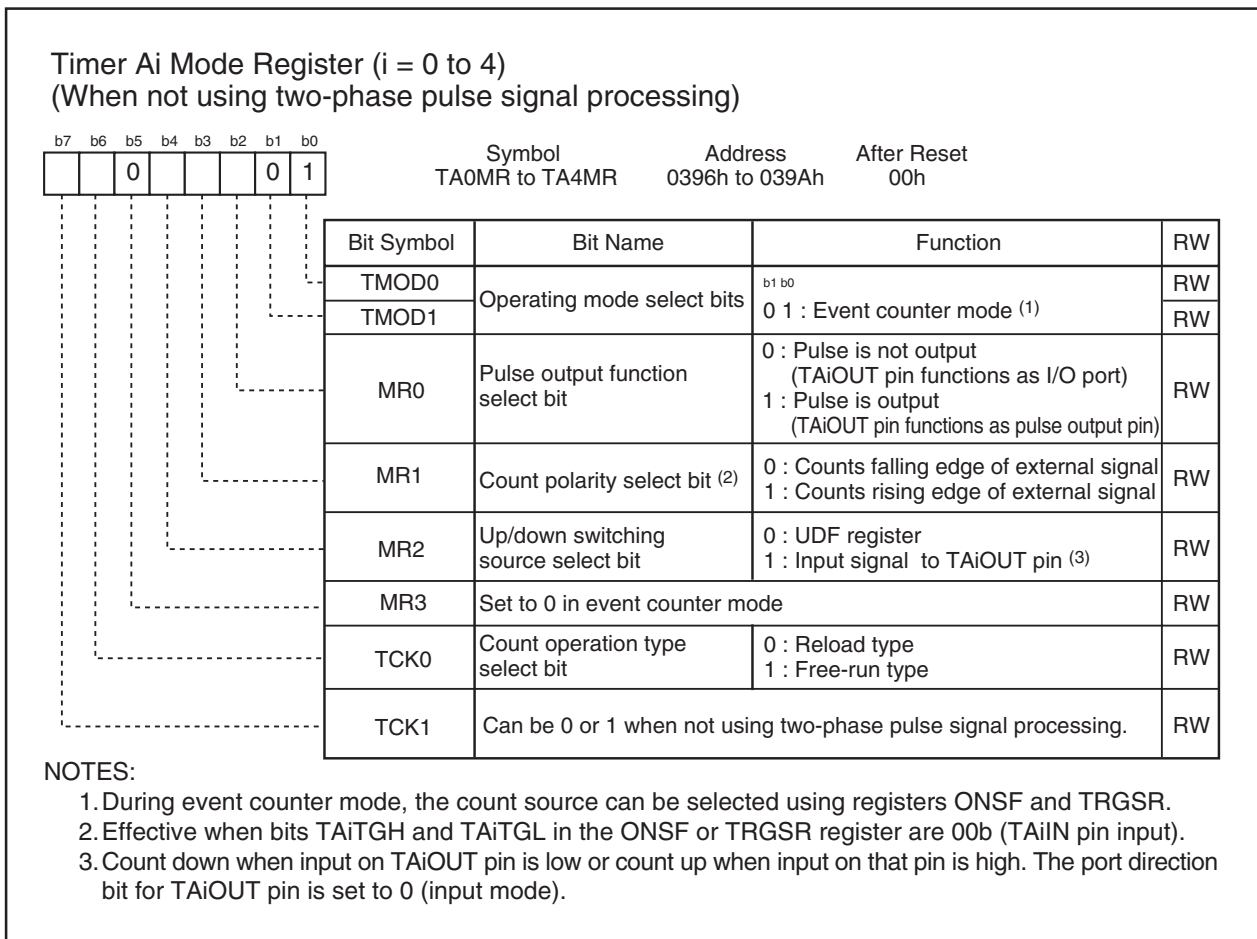


Figure 13.8 Registers TA0MR to TA4MR in Event Counter Mode (when not using two-phase pulse signal processing)

Table 13.3 Event Counter Mode Specifications (when using two-phase pulse signal processing with timers A2, A3, and A4)

Item	Specification
Count source	• Two-phase pulse signals input to TAIiN or TAIiOUT pins
Count operation	• Up-count or down-count can be selected by two-phase pulse signal • When the timer overflows or underflows, it reloads the reload register contents and continues counting. When operating in free-running mode, the timer continues counting without reloading.
Divide ratio	1/ (FFFFh - n + 1) for up-count 1/ (n + 1) for down-count n : set value of the TAI register 0000h to FFFFh
Count start condition	Set the TAIiS bit in the TABSR register to 1 (count starts)
Count stop condition	Set the TAIiS bit to 0 (count stops)
Interrupt request generation timing	Timer overflow or underflow
TAiIN pin function	Two-phase pulse input
TAiOUT pin function	Two-phase pulse input
Read from timer	Count value can be read by reading the TAI register
Write to timer	• When not counting and until the 1st count source is input after counting start Value written to TAI register is written to both reload register and counter • When counting (after 1st count source input) Value written to TAI register is written to reload register (Transferred to counter when reloaded next)
Select function ⁽¹⁾	<ul style="list-style-type: none"> • Normal processing operation (timers A2 and A3) The timer counts up rising edges or counts down falling edges on TAJiN pin when input signals on TAJiOUT pin is "H". <ul style="list-style-type: none"> • Multiply-by-4 processing operation (timers A3 and A4) If the phase relationship is such that TAKiN pin goes "H" when the input signal on TAKiOUT pin is "H", the timer counts up rising and falling edges on pins TAKiOUT and TAKiN. If the phase relationship is such that TAKiN pin goes "L" when the input signal on TAKiOUT pin is "H", the timer counts down rising and falling edges on pins TAKiOUT and TAKiN. <ul style="list-style-type: none"> • Counter initialization by Z-phase input (timer A3) The timer count value is initialized to 0 by Z-phase input.

i = 2 to 4

j = 2, 3

k = 3, 4

NOTE:

1. Only timer A3 is selectable. Timer A2 is fixed to normal processing operation, and timer A4 is fixed to multiply-by-4 processing operation.

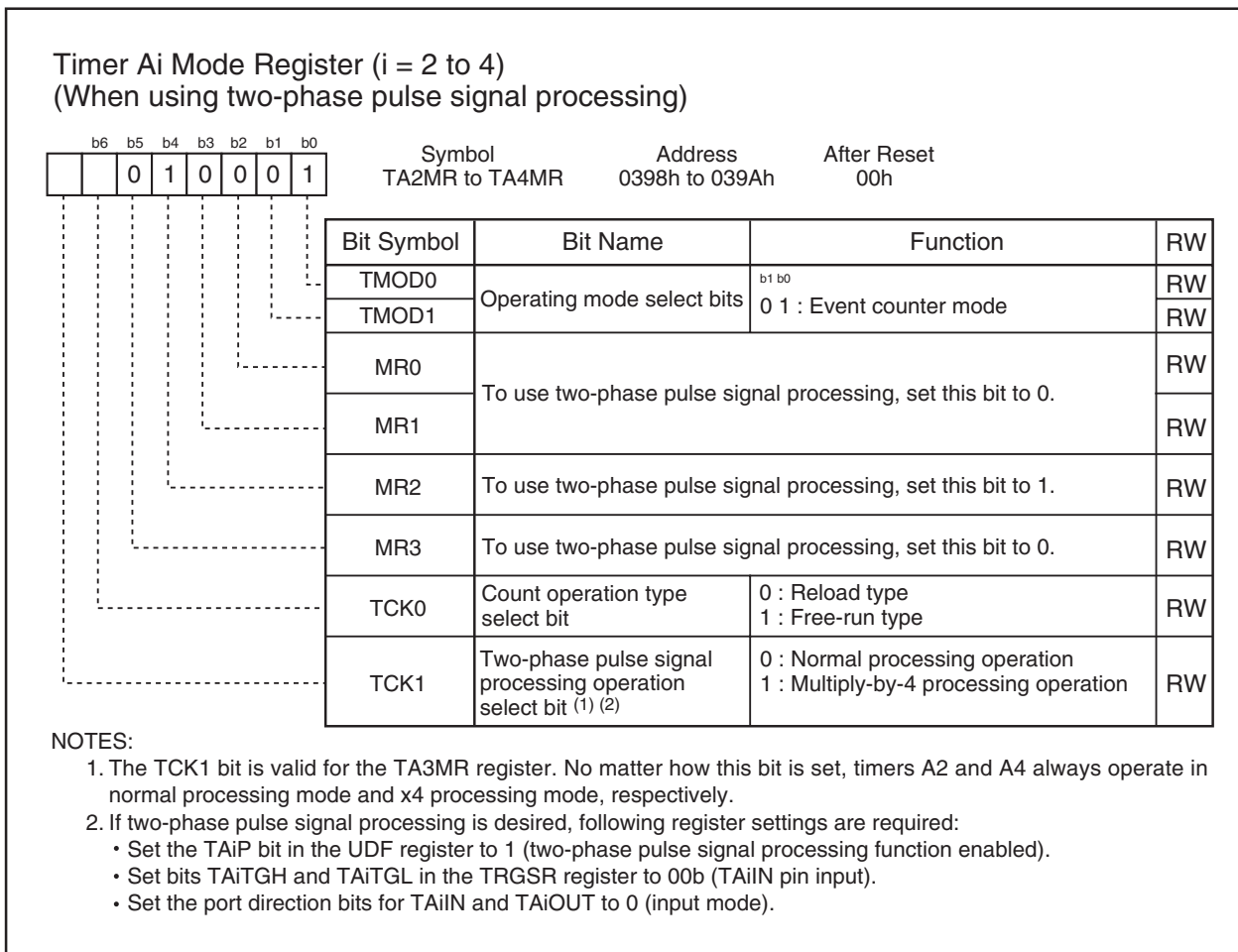


Figure 13.9 Registers TA2MR to TA4MR in Event Counter Mode (when using two-phase pulse signal processing with timers A2, A3, and A4)

13.1.2.1 Counter Initialization by Two-Phase Pulse Signal Processing

This function initializes the timer count value to 0 by Z-phase (counter initialization) input during two-phase pulse signal processing.

This function can only be used in timer A3 event counter mode during two-phase pulse signal processing, free-running type, x4 processing, with Z-phase entered from the ZP pin.

Counter initialization by Z-phase input is enabled by writing 0000h to the TA3 register and setting the TAZIE bit in the ONSF register to 1 (Z-phase input enabled).

Counter initialization is accomplished by detecting Z-phase input edge. The active edge can be selected to be the rising or falling edge by using the POL bit in the INT2IC register. The Z-phase pulse width applied to the INT2 pin must be equal to or greater than one clock cycle of the timer A3 count source. The counter is initialized at the next count timing after recognizing Z-phase input. Figure 13.10 shows the relationship between the two-phase pulse (A phase and B phase) and the Z-phase.

If timer A3 overflow or underflow coincides with the counter initialization by Z-phase input, a timer A3 interrupt request is generated twice in succession. Do not use the timer A3 interrupt when using this function.

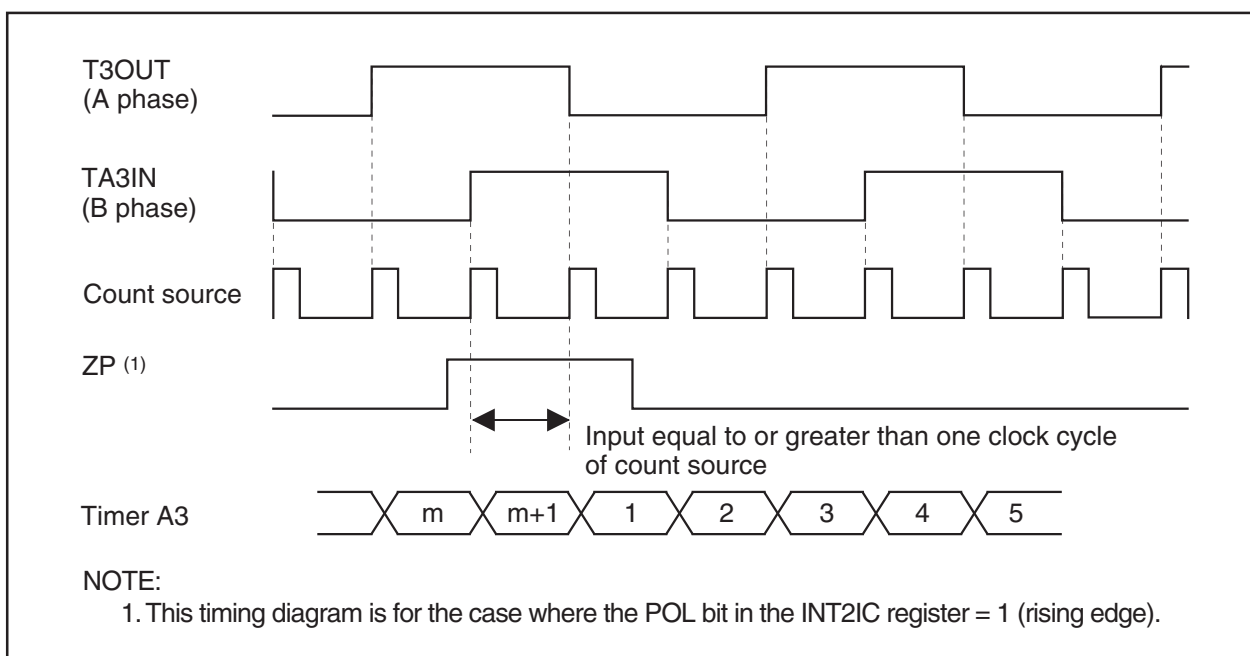


Figure 13.10 Two-phase Pulse (A Phase and B Phase) and Z Phase

13.1.3 One-shot Timer Mode

In one-shot timer mode, the timer is activated only once by one trigger. When the trigger occurs, the timer starts up and continues operating for a given period. Table 13.4 lists the One-shot Timer Mode Specifications. Figure 13.11 shows Registers TA0MR to TA4MR in One-shot Timer Mode.

Table 13.4 One-shot Timer Mode Specifications

Item	Specification
Count source	f1, f2, f8, f32, fC32
Count operation	<ul style="list-style-type: none"> • Down-count • When the counter reaches 0000h, it stops counting after reloading a new value • If a trigger occurs when counting, the timer reloads a new count and restarts counting
Divide ratio	1/n n : set value of the TAI register 0000h to FFFFh However, the counter does not work if the divide-by-n value is set to 0000h.
Count start condition	The TAI _i S bit in the TABSR register = 1 (count starts) and one of the following triggers occurs. <ul style="list-style-type: none"> • External trigger input from the TAI_iIN pin • Timer B2 overflow or underflow, Timer A_j overflow or underflow, Timer A_k overflow or underflow • The TAI_iOS bit in the ONSF register is set to 1 (timer starts)
Count stop condition	<ul style="list-style-type: none"> • When the counter is reloaded after reaching 0000h • TAI_iS bit is set to 0 (count stops)
Interrupt request generation timing	When the counter reaches 0000h
TAI _i IN pin function	I/O port or trigger input
TAI _i OUT pin function	I/O port or pulse output
Read from timer	An undefined value is read by reading the TAI register
Write to timer	<ul style="list-style-type: none"> • When not counting and until the 1st count source is input after counting start Value written to the TAI register is written to both reload register and counter • When counting (after 1st count source input) Value written to the TAI register is written to only reload register (Transferred to counter when reloaded next)
Select function	<ul style="list-style-type: none"> • Pulse output function The timer outputs a low when not counting and a high when counting.

i = 0 to 4

j = i - 1, except j = 4 if i = 0

k = i + 1, except k = 0 if i = 4

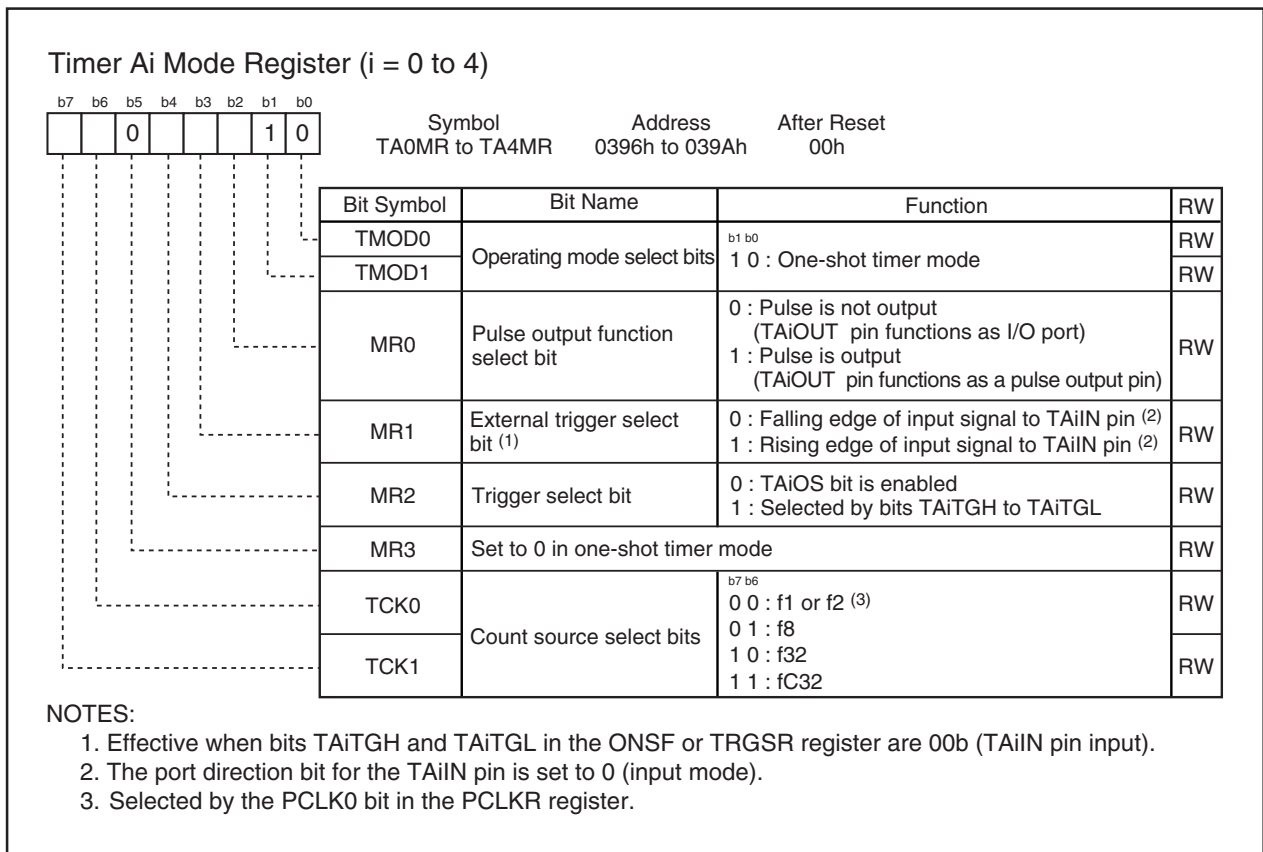


Figure 13.11 Registers TA0MR to TA4MR in One-shot Timer Mode

13.1.4 Pulse Width Modulation (PWM) Mode

In PWM mode, the timer outputs pulses of a given width in succession. The counter functions as either 16-bit pulse width modulator or 8-bit pulse width modulator.

Table 13.5 lists the PWM Mode Specifications. Figure 13.12 shows Registers TA0MR to TA4MR in PWM Mode. Figures 13.13 and 13.14 show an Example of 16-bit Pulse Width Modulator Operation and 8-bit Pulse Width Modulator Operation.

Table 13.5 PWM Mode Specifications

Item	Specification
Count source	f1, f2, f8, f32, fC32
Count operation	<ul style="list-style-type: none"> • Down-count (operating as an 8-bit or a 16-bit pulse width modulator) • The timer reloads a new value at a rising edge of PWM pulse and continues counting • The timer is not affected by a trigger that occurs during counting
16-bit PWM	<ul style="list-style-type: none"> • High level width n / f_j n : set value of the TAI register • Cycle time $(2^{16}-1) / f_j$ fixed f_j : count source frequency (f1, f2, f8, f32, fC32)
8-bit PWM	<ul style="list-style-type: none"> • High level width $n \times (m+1) / f_j$ n : set value of the TAI register high-order address • Cycle time $(2^8-1) \times (m+1) / f_j$ m : set value of the TAI register low-order address
Count start condition	<ul style="list-style-type: none"> • The TAI_S bit in the TABSR register is set to 1 (count starts) • The TAI_S bit = 1 and external trigger input from the TAI_{IN} pin • The TAI_S bit = 1 and one of the following external triggers occurs Timer B2 overflow or underflow, Timer A_j overflow or underflow, Timer A_k overflow or underflow
Count stop condition	The TAI _S bit is set to 0 (count stops)
Interrupt request generation timing	On the falling edge of the PWM pulse
TAI _{IN} pin function	I/O port or trigger input
TAI _{OUT} pin function	Pulse output
Read from timer	An undefined value is read by reading the TAI register
Write to timer	<ul style="list-style-type: none"> • When not counting and until the 1st count source is input after counting start Value written to the TAI register is written to both reload register and counter • When counting (after 1st count source input) Value written to the TAI register is written to only reload register (Transferred to counter when reloaded next)

$i = 0$ to 4

$j = i - 1$, except $j = 4$ if $i = 0$

$k = i + 1$, except $k = 0$ if $i = 4$

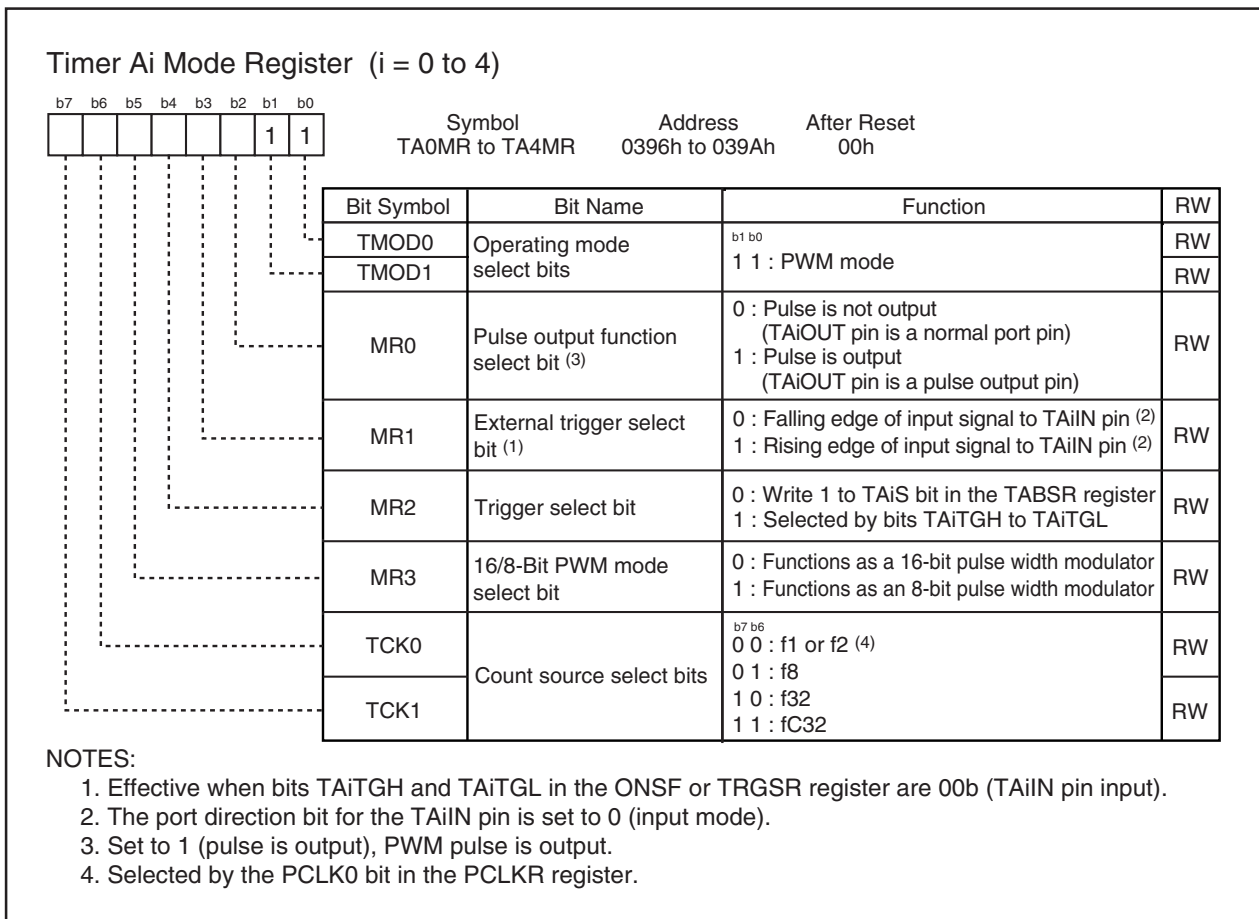


Figure 13.12 Registers TA0MR to TA4MR in PWM Mode

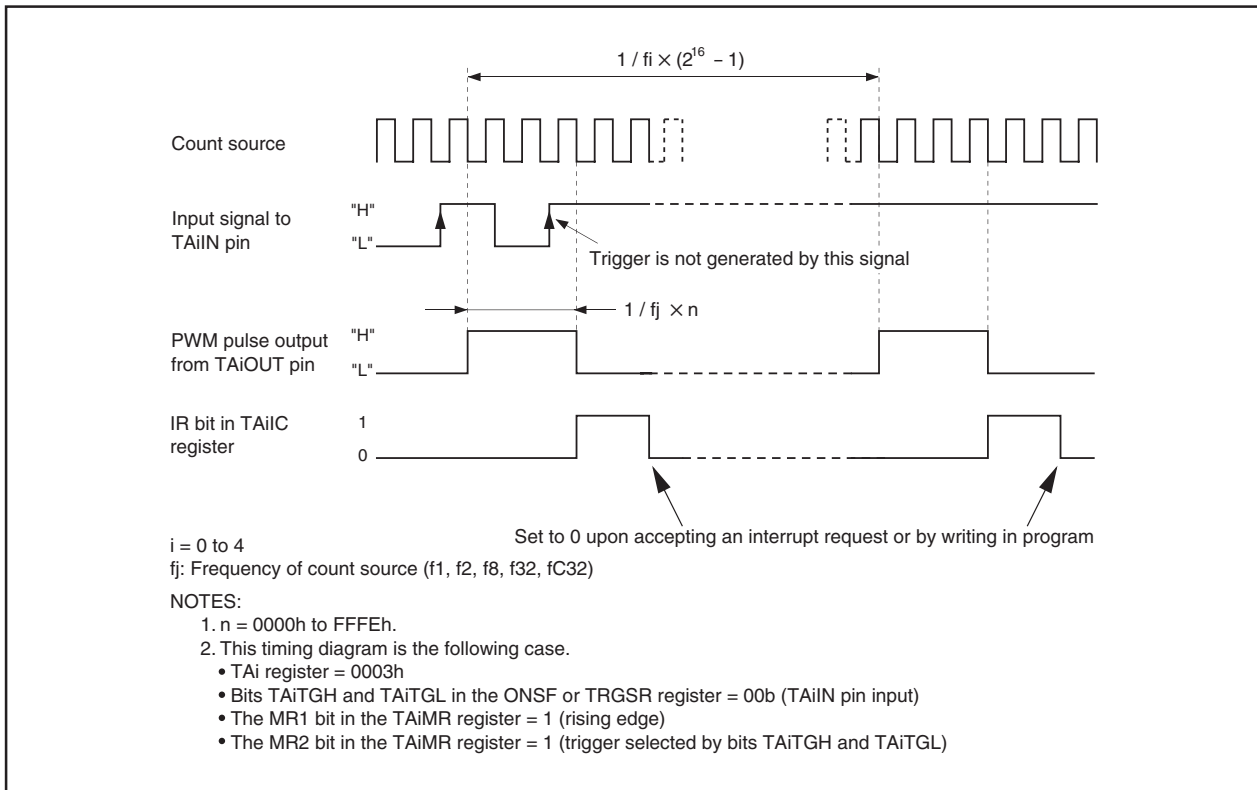


Figure 13.13 Example of 16-bit Pulse Width Modulator Operation

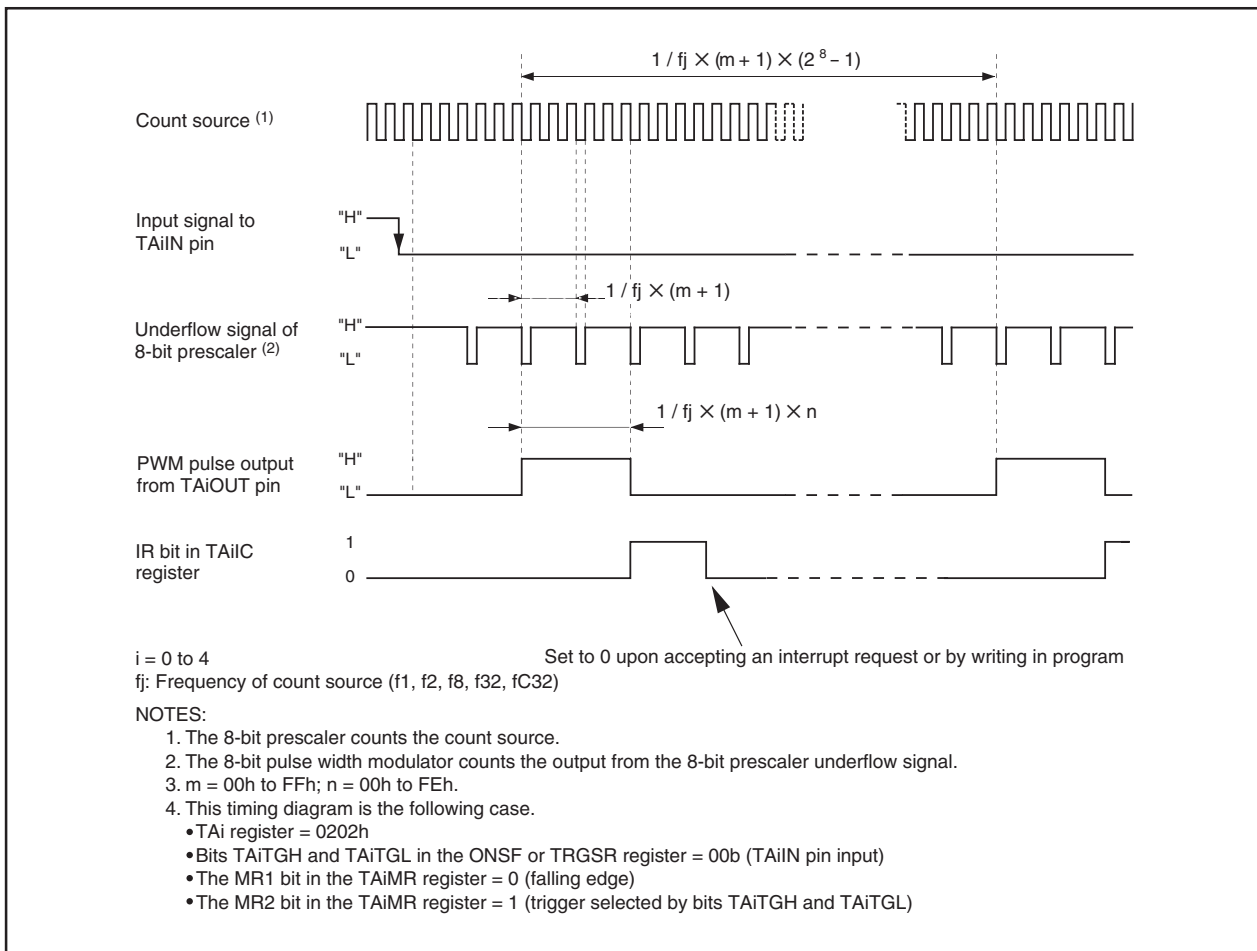


Figure 13.14 Example of 8-bit Pulse Width Modulator Operation

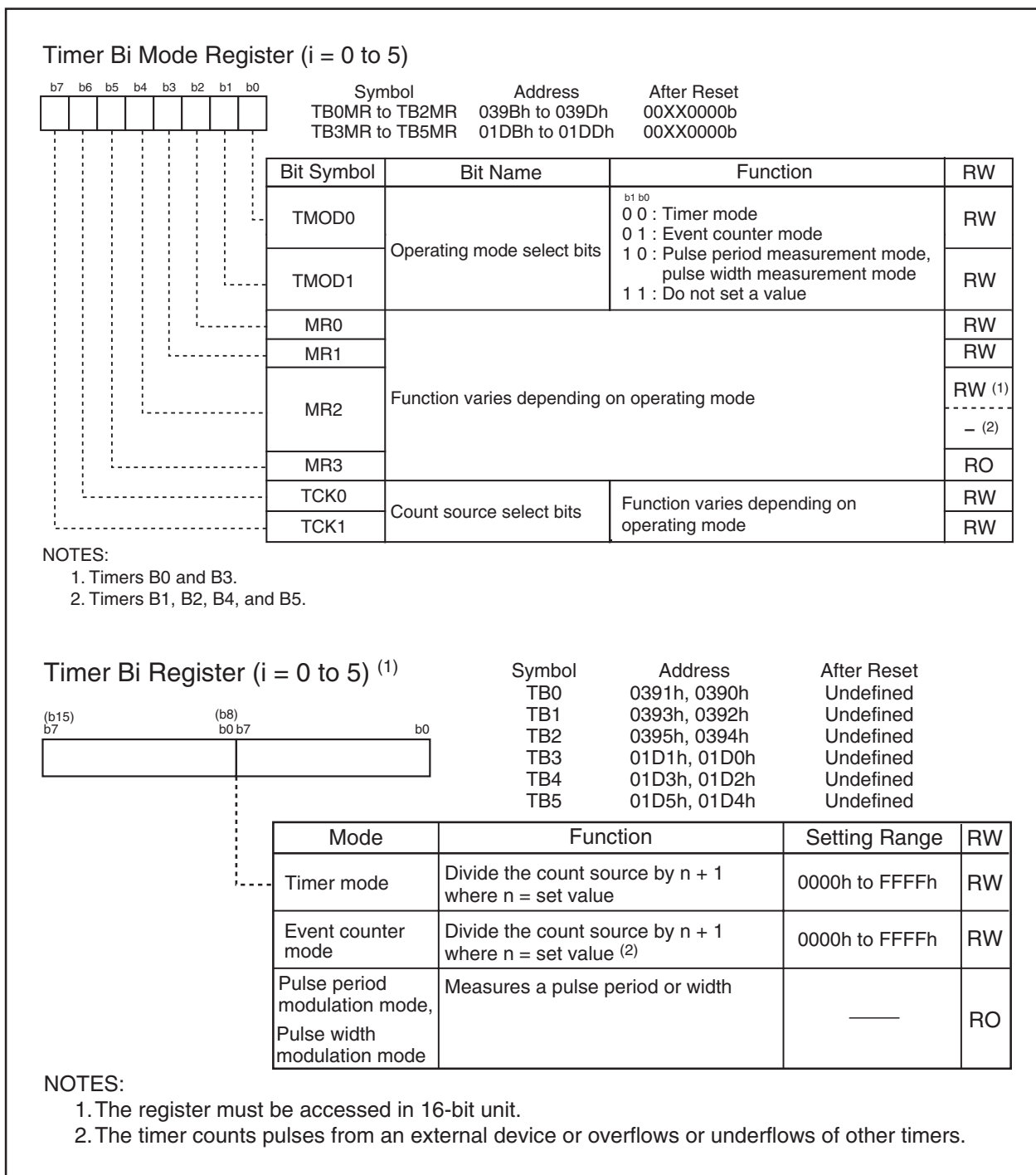


Figure 13.16 Registers TB0MR to TB5MR, and TB0 to TB5

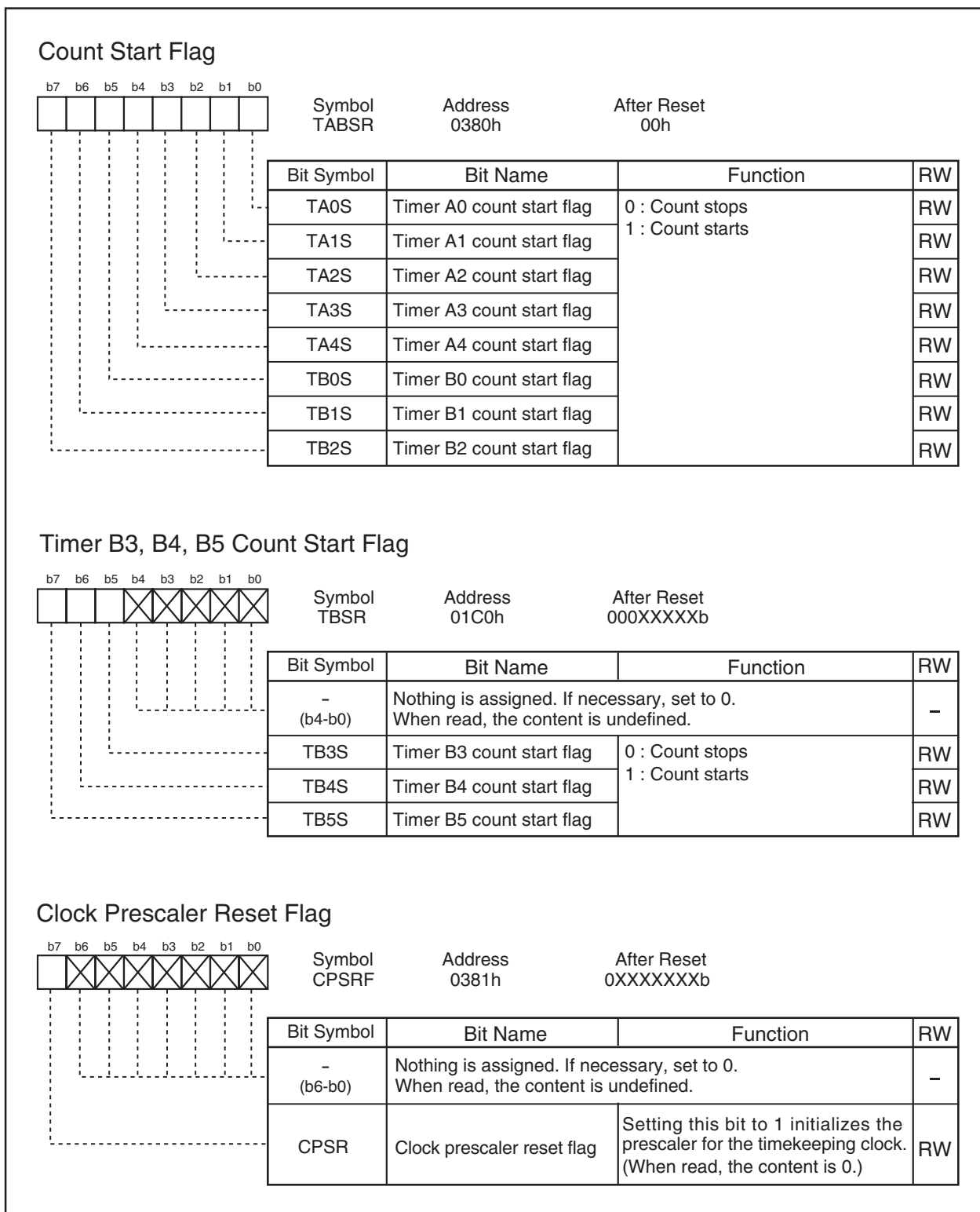


Figure 13.17 Registers TABSR, TBSR, and CPSRF

13.2.1 Timer Mode

In timer mode, the timer counts a count source generated internally.

Table 13.6 lists the Timer Mode Specifications. Figure 13.18 shows Registers TB0MR to TB5MR in Timer Mode.

Table 13.6 Timer Mode Specifications

Item	Specification
Count source	f1, f2, f8, f32, fC32
Count operation	<ul style="list-style-type: none"> Down-count When the timer underflows, it reloads the reload register contents and continues counting
Divide ratio	1/(n+1) n: set value of the TBi register 0000h to FFFFh
Count start condition	Set the TBiS bit ⁽¹⁾ to 1 (count starts)
Count stop condition	Set the TBiS bit to 0 (count stops)
Interrupt request generation timing	Timer underflow
TBiIN pin function	I/O port
Read from timer	Count value can be read by reading the TBi register
Write to timer	<ul style="list-style-type: none"> When not counting and until the 1st count source is input after counting start Value written to the TBi register is written to both reload register and counter When counting (after 1st count source input) Value written to the TBi register is written to only reload register (Transferred to counter when reloaded next)

i = 0 to 5

NOTE:

- Bits TB0S to TB2S are assigned to bits 5 to 7 in the TABSR register, and bits TB3S to TB5S are assigned to bits 5 to 7 in the TBSR register.

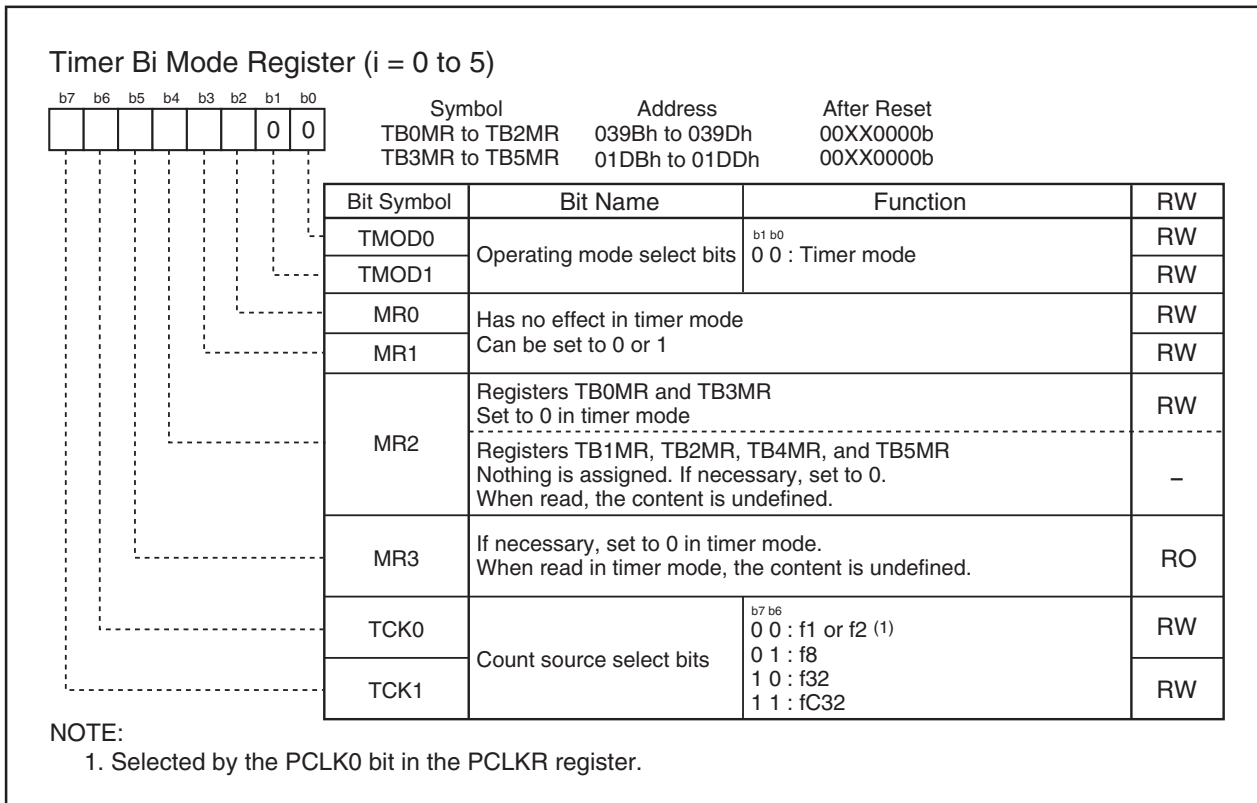


Figure 13.18 Registers TB0MR to TB5MR in Timer Mode

13.2.2 Event Counter Mode

In event counter mode, the timer counts pulses from an external device or overflows and underflows of other timers. Table 13.7 lists the Event Counter Mode Specifications. Figure 13.19 shows Registers TB0MR to TB5MR in Event Counter Mode.

Table 13.7 Event Counter Mode Specifications

Item	Specification
Count source	<ul style="list-style-type: none"> External signals input to TBIiN pin (effective edge can be selected in program) Timer Bj overflow or underflow
Count operation	<ul style="list-style-type: none"> Down-count When the timer underflows, it reloads the reload register contents and continues counting
Divide ratio	1/(n+1) n: set value of the TBI register 0000h to FFFFh
Count start condition	Set TBI _S bit ⁽¹⁾ to 1 (count starts)
Count stop condition	Set TBI _S bit to 0 (count stops)
Interrupt request generation timing	Timer underflow
TBIiN pin function	Count source input
Read from timer	Count value can be read by reading the TBI register
Write to timer	<ul style="list-style-type: none"> When not counting and until the 1st count source is input after counting start Value written to the TBI register is written to both reload register and counter When counting (after 1st count source input) Value written to the TBI register is written to only reload register (Transferred to counter when reloaded next)

i = 0 to 5

j = i - 1, except j = 2 if i = 0, j = 5 if i = 3

NOTE:

- Bits TB0S to TB2S are assigned to bits 5 to 7 in the TABSR register, and bits TB3S to TB5S are assigned to bits 5 to 7 in the TBSR register.

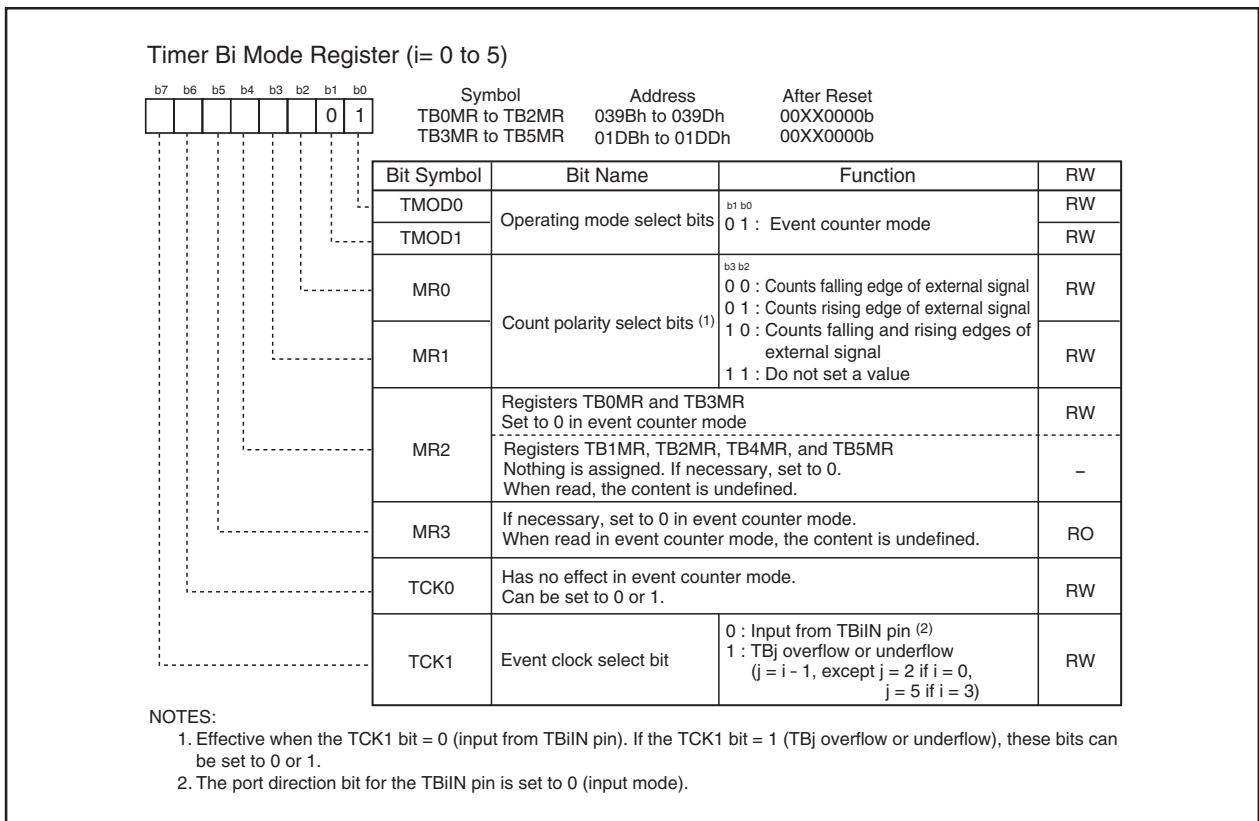


Figure 13.19 Registers TB0MR to TB5MR in Event Counter Mode

13.2.3 Pulse Period and Pulse Width Measurement Mode

In pulse period and pulse width measurement mode, the timer measures pulse period or pulse width of an external signal. Table 13.8 lists the Pulse Period and Pulse Width Measurement Mode Specifications. Figure 13.20 shows Registers TB0MR to TB5MR in Pulse Period and Pulse Width Measurement mode. Figure 13.21 shows the Operation Timing when Measuring Pulse Period. Figure 13.22 shows the Operation Timing when Measuring Pulse Width.

Table 13.8 Pulse Period and Pulse Width Measurement Mode Specifications

Item	Specification
Count source	f1, f2, f8, f32, fC32
Count operation	<ul style="list-style-type: none"> • Up-count • Counter value is transferred to reload register at an effective edge of measurement pulse. The counter value is set to 0000h to continue counting.
Count start condition	Set the TBiS bit ⁽¹⁾ to 1 (count starts)
Count stop condition	Set the TBiS bit to 0 (count stops)
Interrupt request generation timing	<ul style="list-style-type: none"> • When an effective edge of measurement pulse is input ⁽²⁾ • Timer overflow. If an overflow occurs, the MR3 bit in the TBiMR register is set to 1 (overflow) simultaneously. The MR3 bit is set to 0 (no overflow) by writing to the TBiMR register at the next count timing or later after the MR3 bit was set to 1. At this time, make sure the TBiS bit is set to 1 (count starts).
TBiIN pin function	Measurement pulse input
Read from timer	Contents of the reload register (measurement result) can be read by reading TBi register ⁽³⁾
Write to timer	Value written to the TBi register is written to neither reload register nor counter

i = 0 to 5

NOTES:

1. Bits TB0S to TB2S are assigned to bits 5 to 7 in the TABSR register, and bits TB3S to TB5S are assigned to bits 5 to 7 in the TBSR register.
2. Interrupt request is not generated when the first effective edge is input after the timer started counting.
3. Value read from the TBi register is undefined until the second valid edge is input after the timer starts counting.

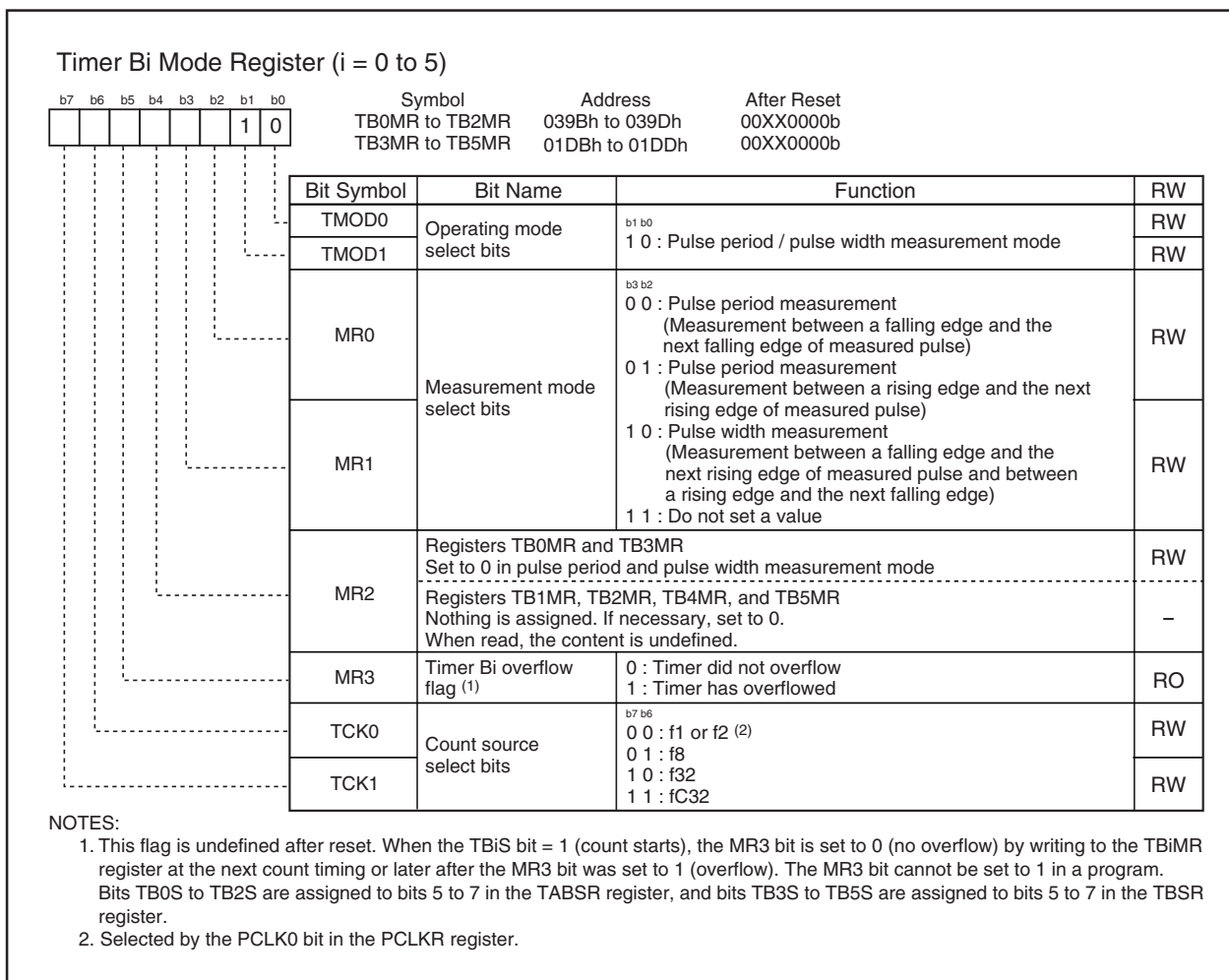


Figure 13.20 Registers TB0MR to TB5MR in Pulse Period and Pulse Width Measurement Mode

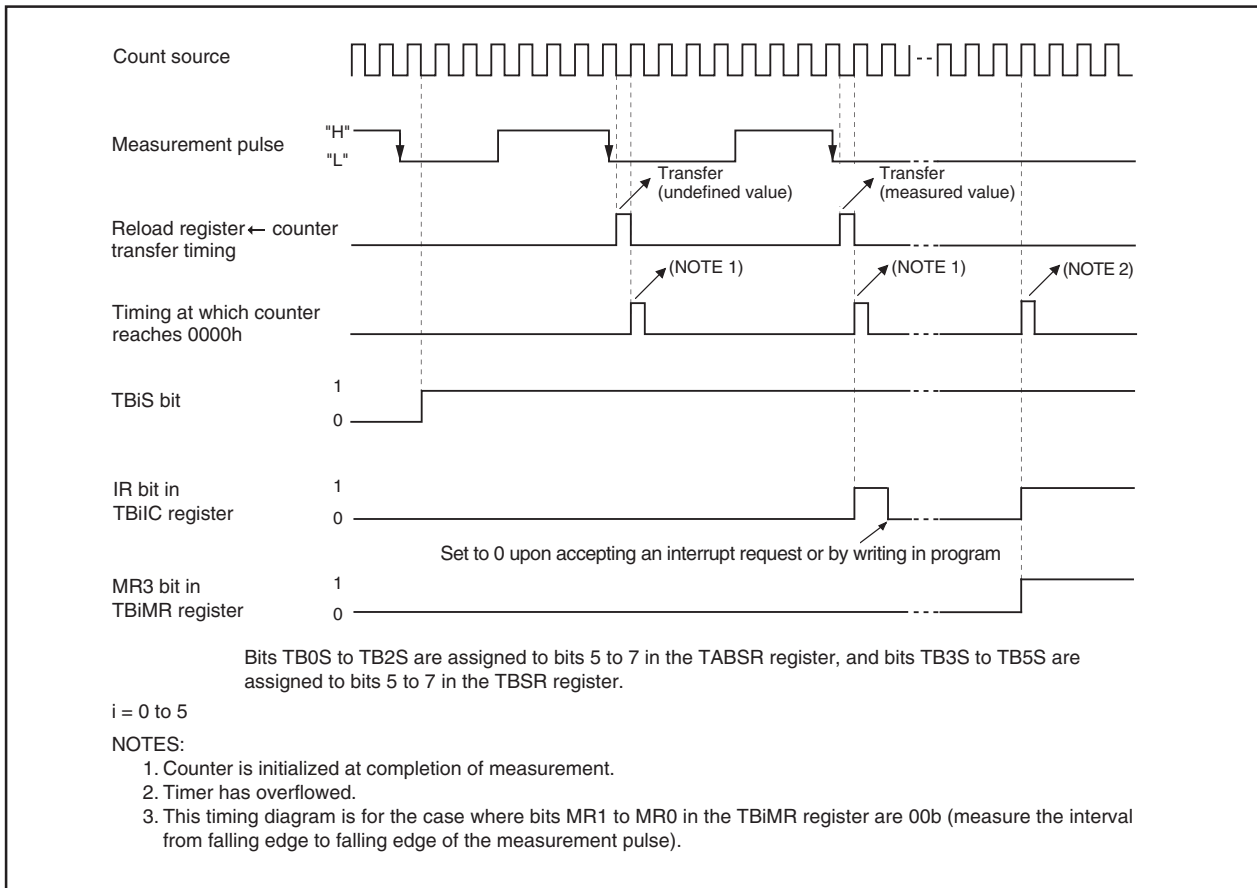


Figure 13.21 Operation Timing When Measuring Pulse Period

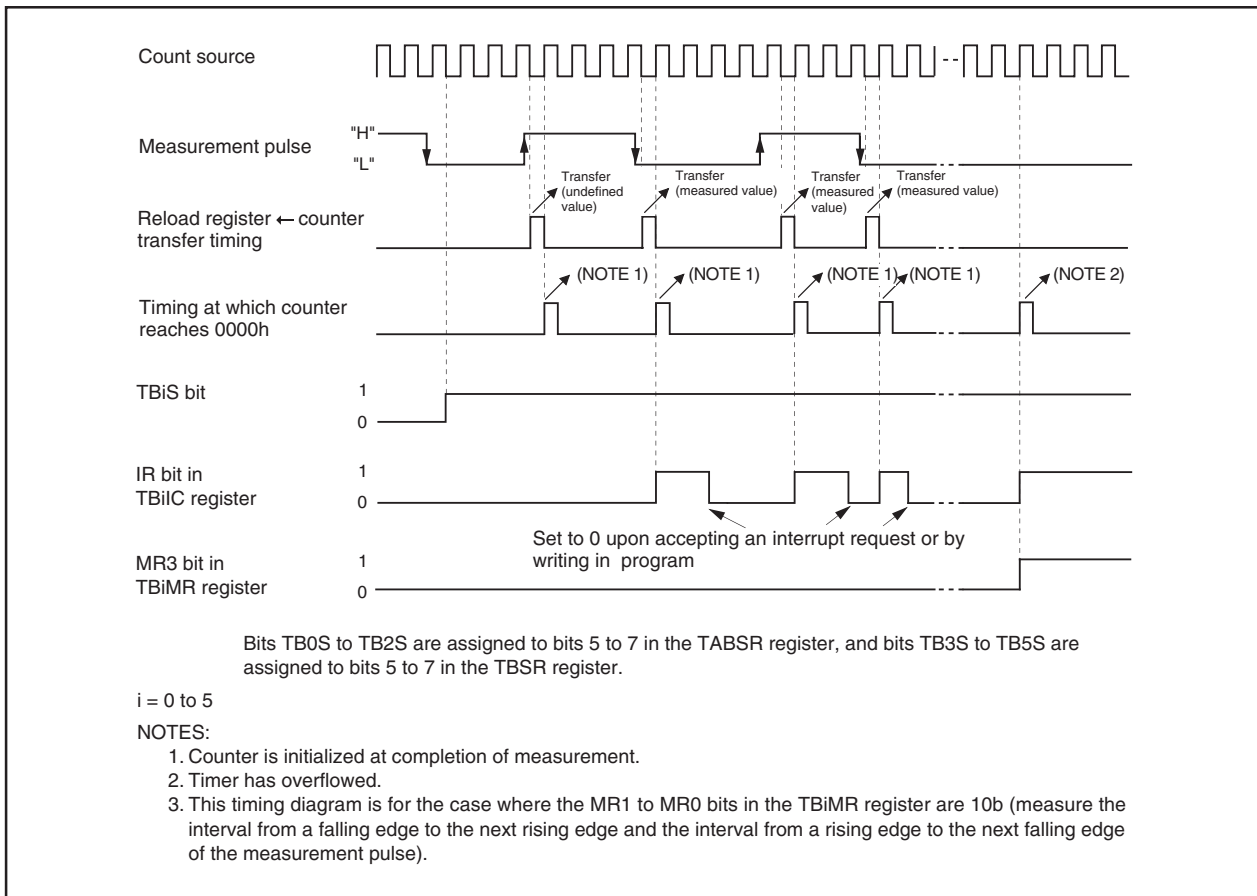


Figure 13.22 Operation Timing When Measuring Pulse Width

14. Three-Phase Motor Control Timer Function

Timers A1, A2, A4, and B2 can be used to output three-phase motor drive waveforms. Table 14.1 lists the Three-phase Motor Control Timer Function Specifications. Figure 14.1 shows the Three-phase Motor Control Timer Function Block Diagram. Figures 14.2 to 14.8 shows the Three-phase Motor Control Timer Function related registers.

Table 14.1 Three-Phase Motor Control Timer Function Specifications

Item	Specification
Three-Phase waveform output pin	Six pins (U, \bar{U} , V, \bar{V} , W, \bar{W})
Forced cutoff input ⁽¹⁾	Input "L" to NMI pin
Used timers	Timer A4, A1, A2 (used in the one-shot timer mode) <ul style="list-style-type: none"> • Timer A4: U- and \bar{U}-phase waveform control • Timer A1: V- and \bar{V}-phase waveform control • Timer A2: W- and \bar{W}-phase waveform control Timer B2 (used in the timer mode) <ul style="list-style-type: none"> • Carrier wave cycle control Dead time timer (3 eight-bit timer and shared reload register) <ul style="list-style-type: none"> • Dead time control
Output waveform	Triangular wave modulation, Sawtooth wave modification <ul style="list-style-type: none"> • Enable to output "H" or "L" for one cycle • Enable to set positive-phase level and negative-phase level respectively
Carrier wave cycle	Triangular wave modulation: count source $\times (m+1) \times 2$ Sawtooth wave modulation: count source $\times (m+1)$ m: Setting value of the TB2 register, 0000h to FFFFh Count source: f1, f2, f8, f32, fC32
Three-Phase PWM output width	Triangular wave modulation: count source $\times n \times 2$ Sawtooth wave modulation: count source $\times n$ n: Setting value of registers TA4, TA1, and TA2 (of registers TA4, TA41, TA1, TA11, TA2, and TA21 when setting the INV11 bit to 1), 0001h to FFFFh Count source: f1, f2, f8, f32, fC32
Dead time	Count source $\times p$, or no dead time p: Setting value of the DTT register, 01h to FFh Count source: f1, f2, f1 divided by 2, f2 divided by 2
Active level	Enable to select "H" or "L"
Positive and negative-phase concurrent active disable function	Positive and negative-phases concurrent active disable function Positive and negative-phases concurrent active detect function
Interrupt frequency	For timer B2 interrupt, select a carrier wave cycle-to-cycle basis through 15 times carrier wave cycle-to-cycle basis

NOTE:

1. Forced cutoff with \bar{NMI} input is effective when the IVPCR1 bit in the TB2SC register is set to 1 (three-phase output forcible cutoff by \bar{NMI} input enabled). If an "L" signal is applied to the \bar{NMI} pin when the IVPCR1 bit is 1, the related pins go to a high-impedance state regardless of which functions of those pins are being used.

Related pins: • P7_2/CLK2/TA1OUT/V
 • P7_3/CTS2/RTS2/TA1IN/ \bar{V}
 • P7_4/TA2OUT/W
 • P7_5/TA2IN/ \bar{W}
 • P8_0/TA4OUT/U
 • P8_1/TA4IN/ \bar{U}

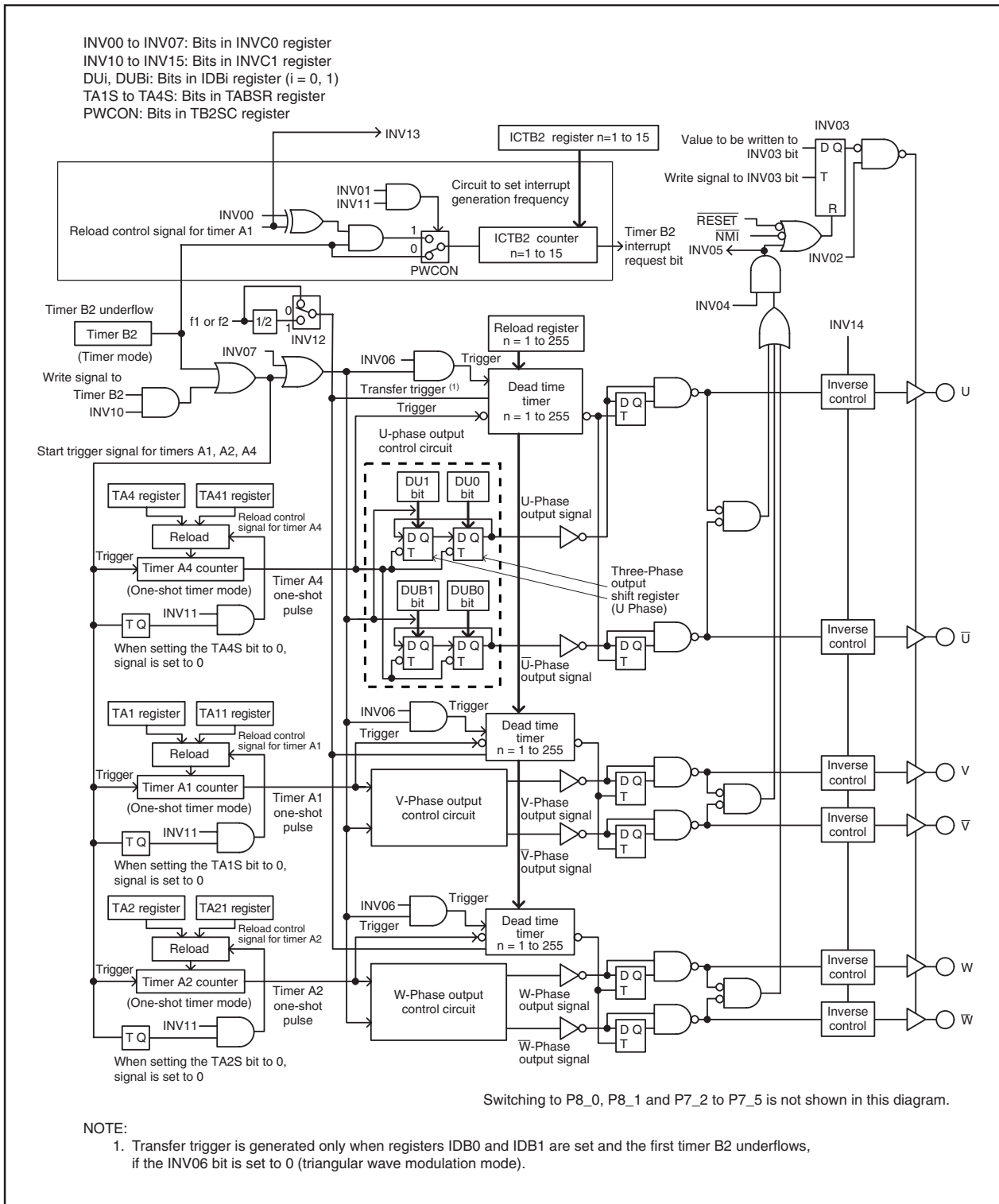


Figure 14.1 Three-Phase Motor Control Timer Function Block Diagram

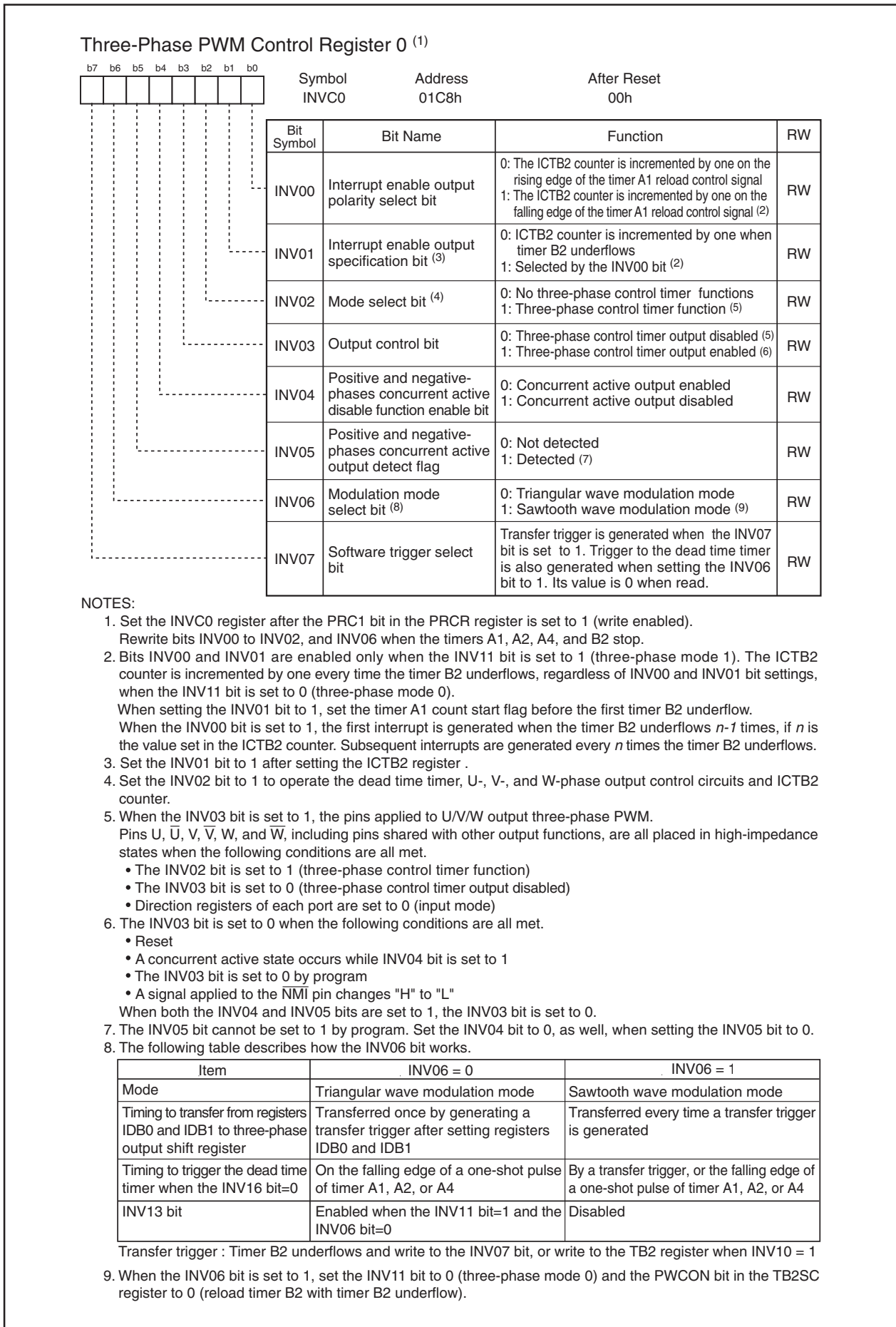


Figure 14.2 INVC0 Register

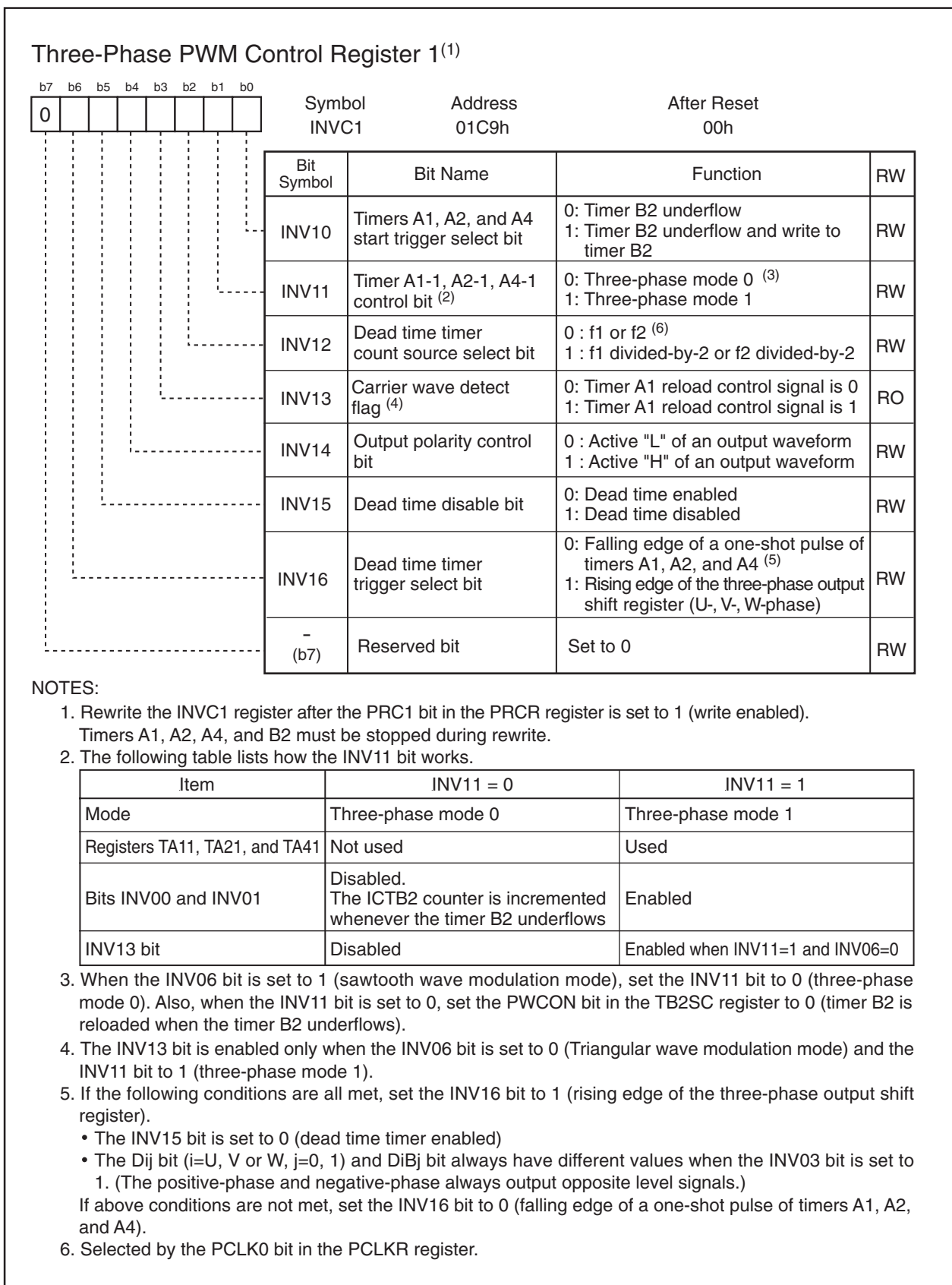


Figure 14.3 INVC1 Register

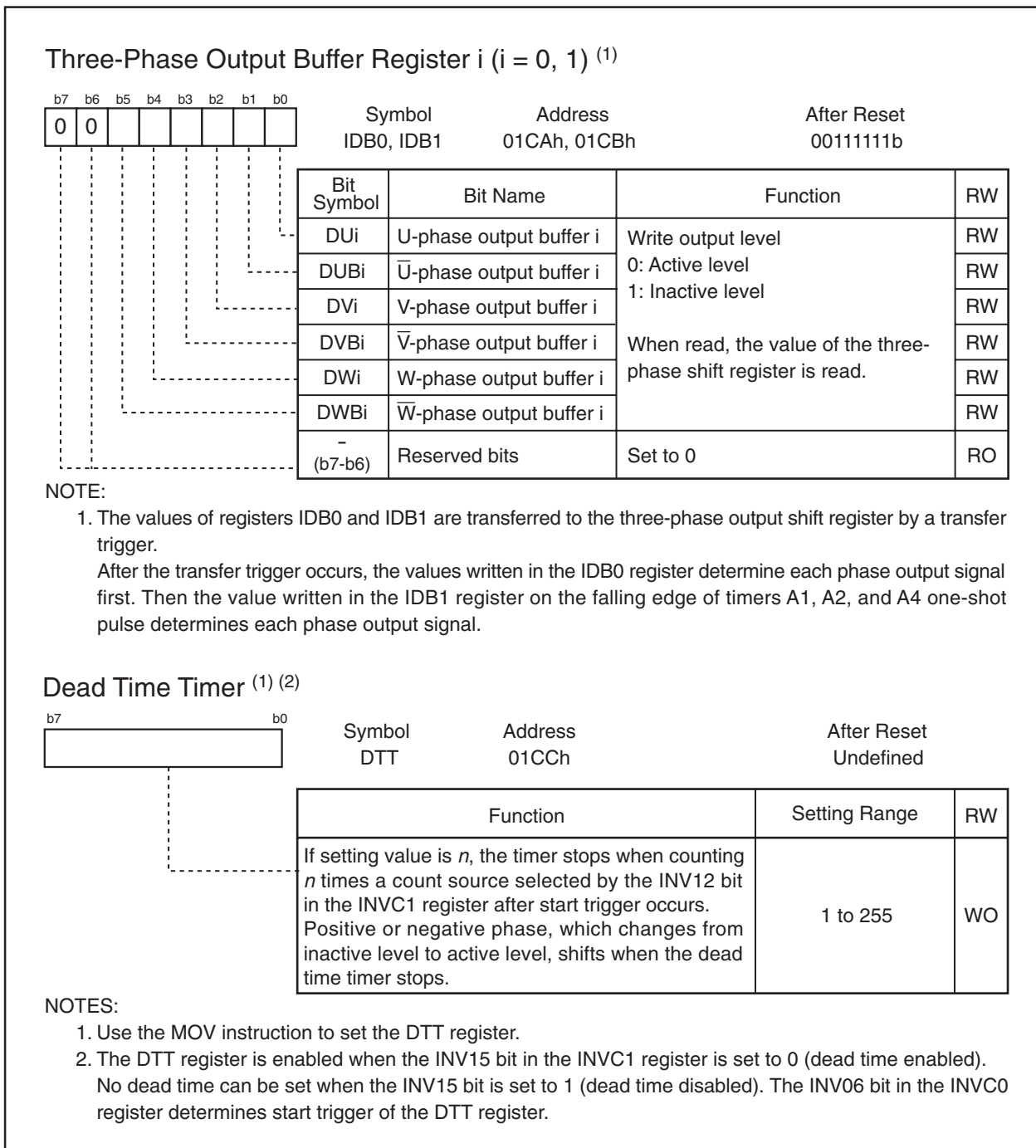


Figure 14.4 Registers IDB0, IDB1, and DTT

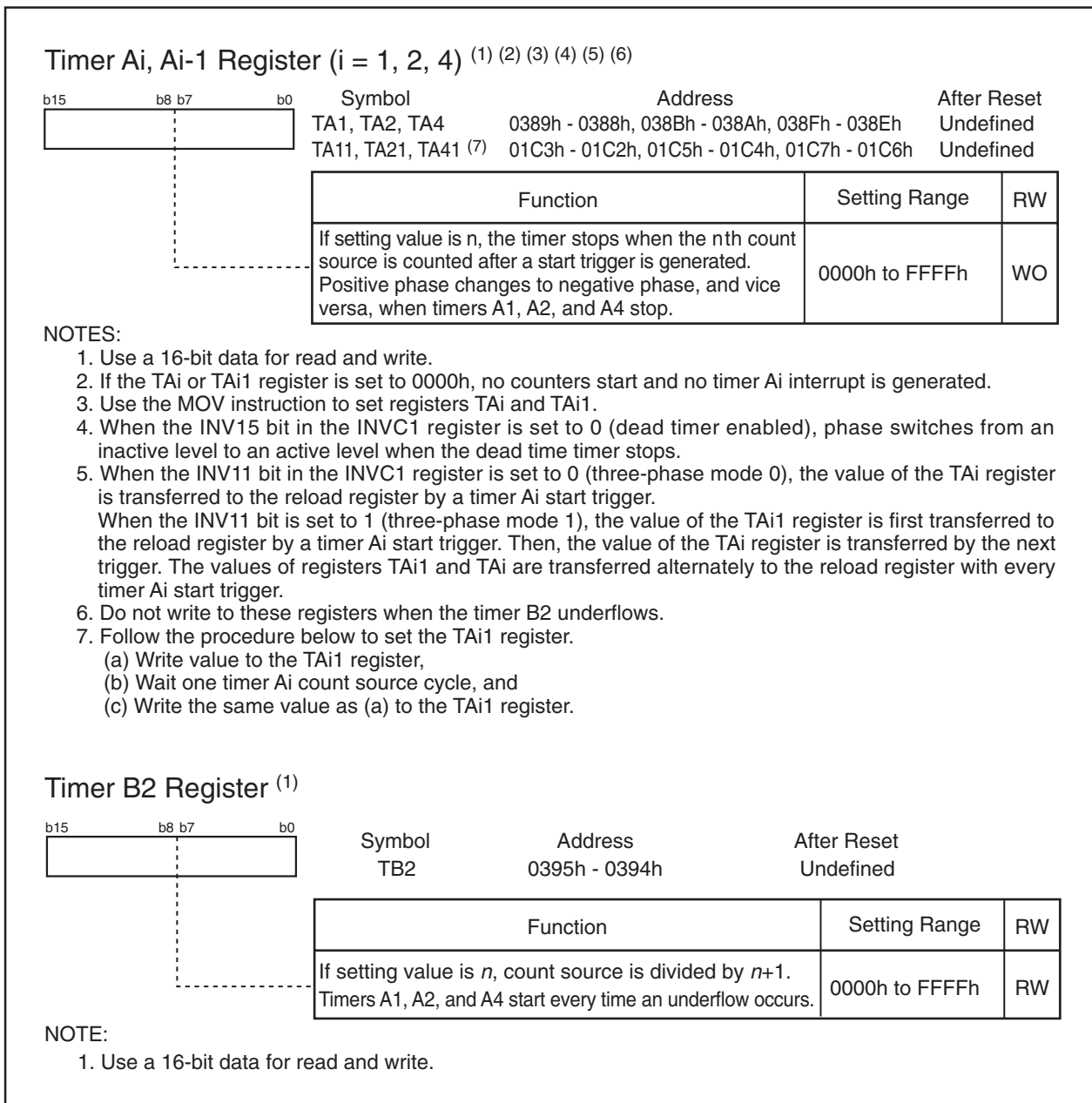


Figure 14.5 Registers TA1, TA2, TA4, TA11, TA21, TA41, and TB2

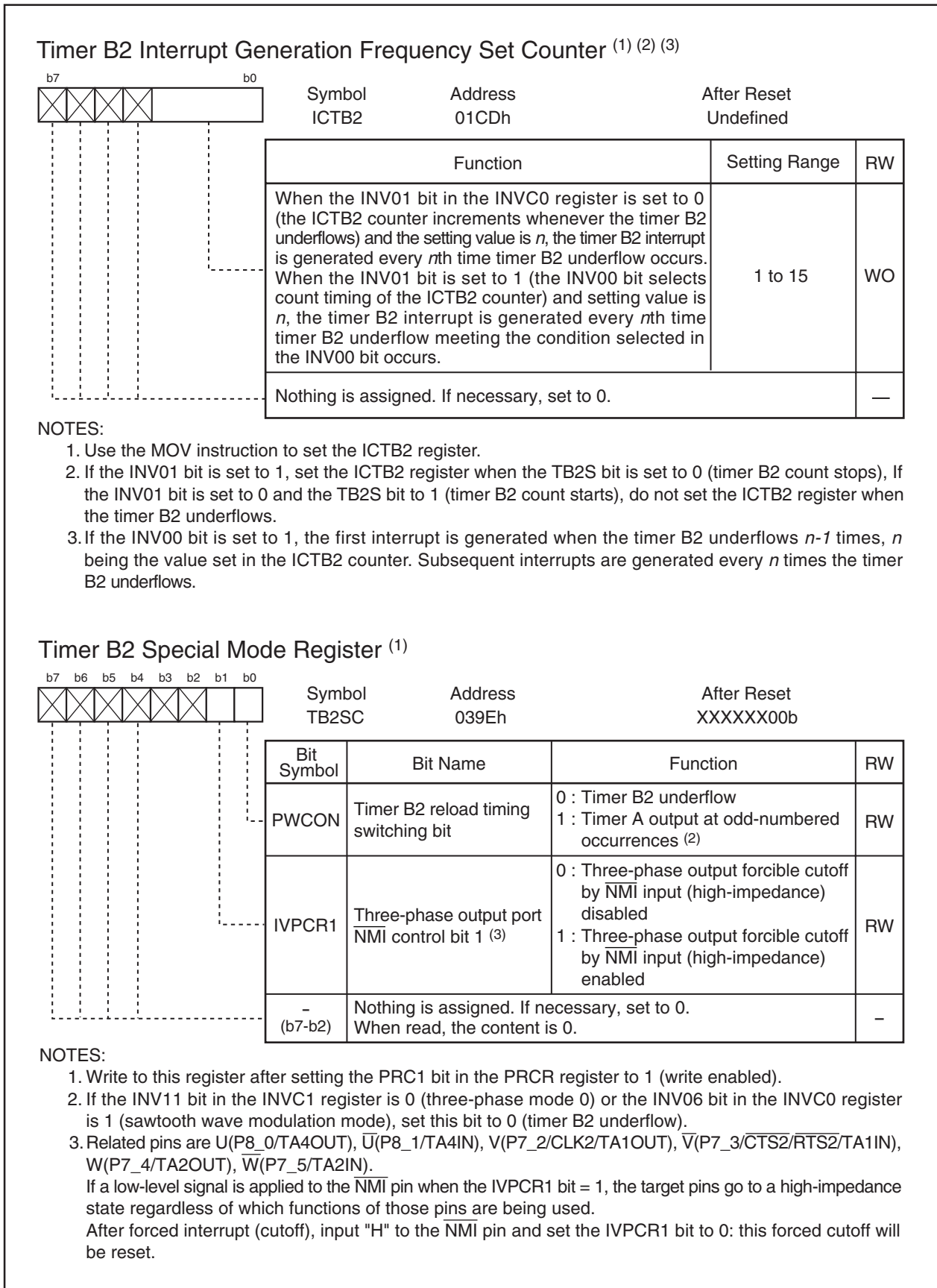


Figure 14.6 Registers ICTB2 and TB2SC

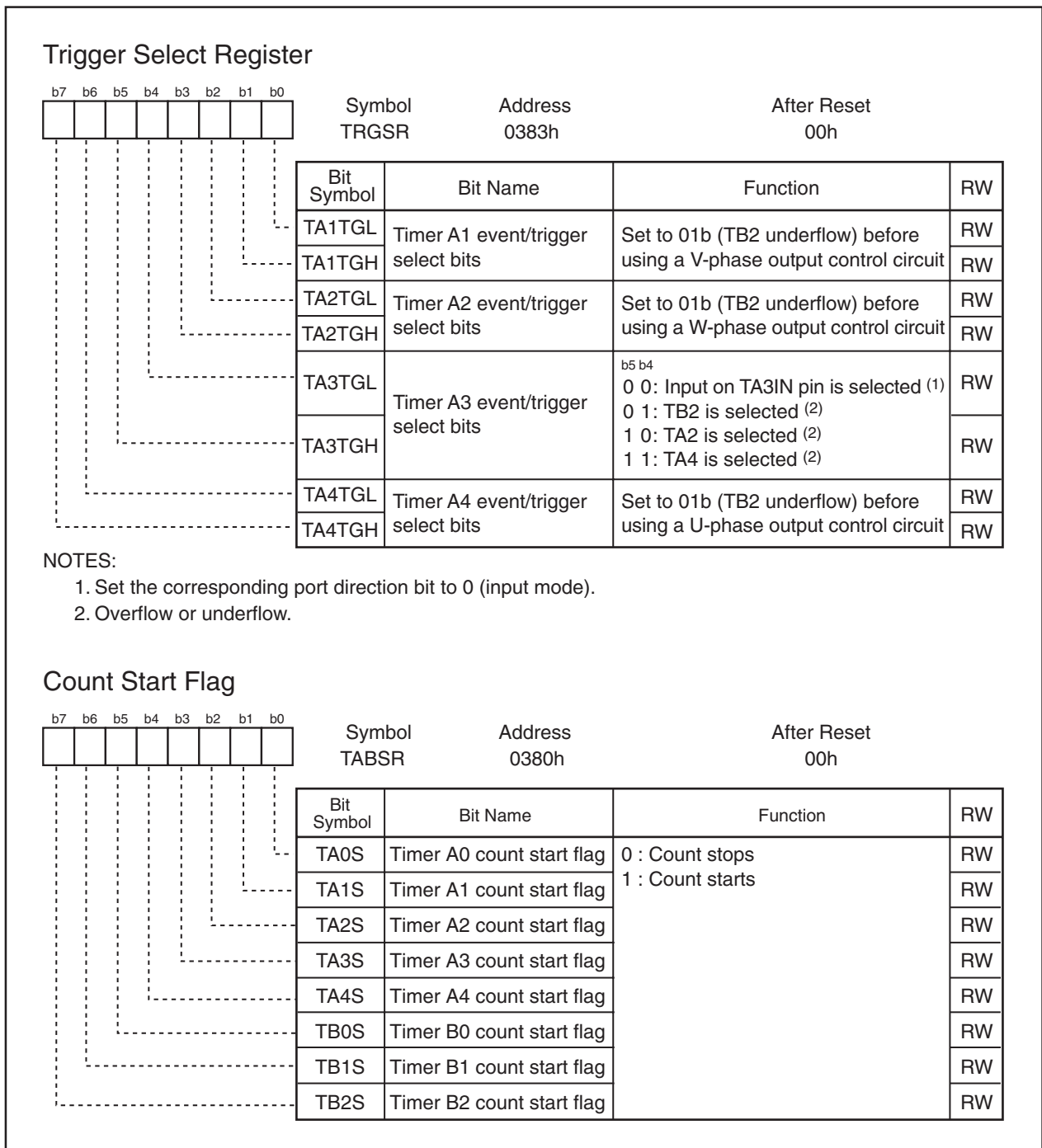


Figure 14.7 Registers TRGSR and TRBSR

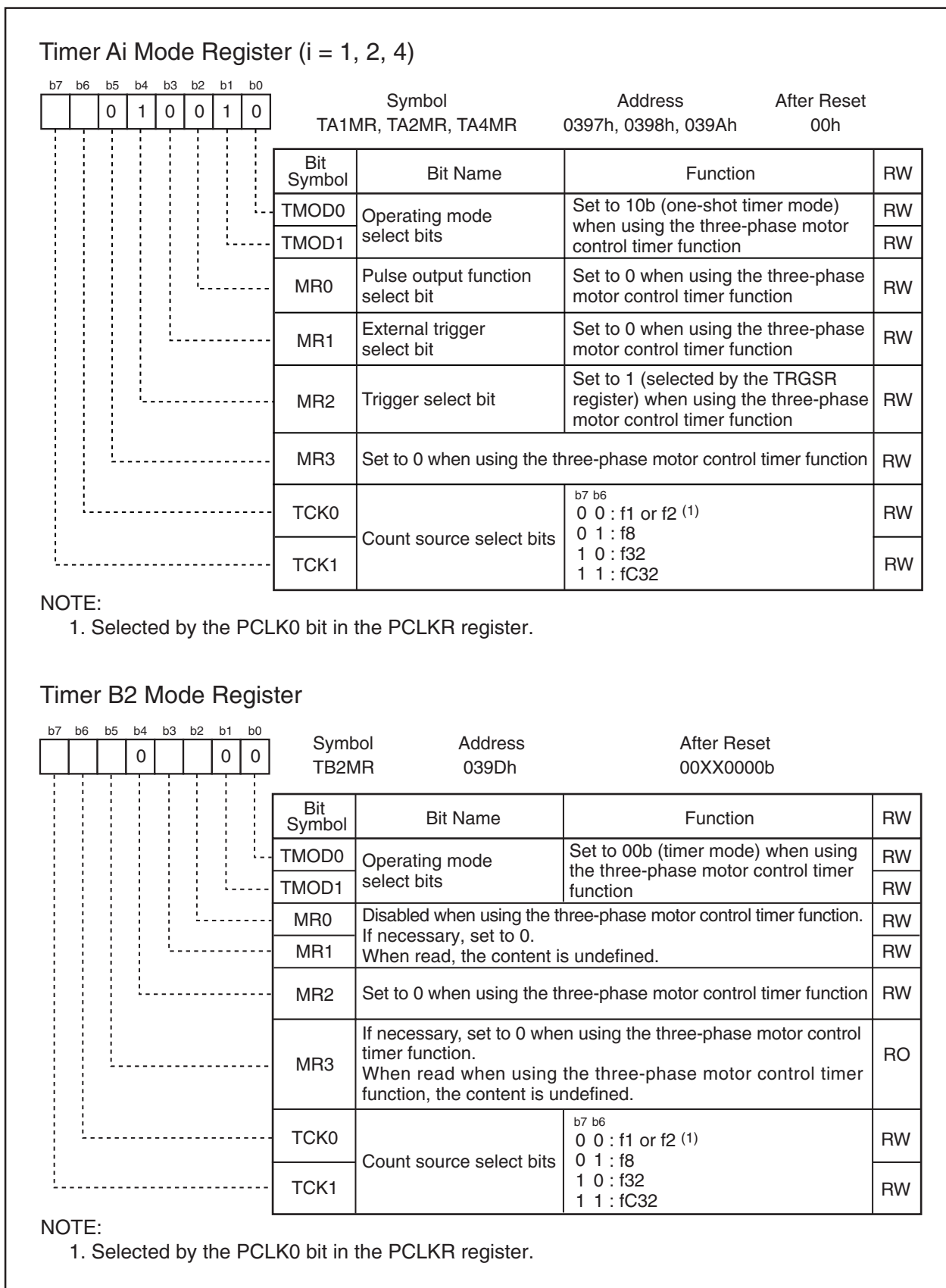


Figure 14.8 Registers TA1MR, TA2MR, TA4MR, and TB2MR

The three-phase motor control timer function is enabled by setting the INV02 bit in the INVC0 register to 1. When this function is selected, timer B2 is used to control the carrier wave, and timers A4, A1, and A2 are used to control three-phase PWM outputs (U, \bar{U} , V, \bar{V} , W, and \bar{W}). The dead time is controlled by a dedicated dead-time timer. Figure 14.9 shows an Example of Triangular Wave Modulation Operation and Figure 14.10 shows an Example of Sawtooth Wave Modulation Operation.

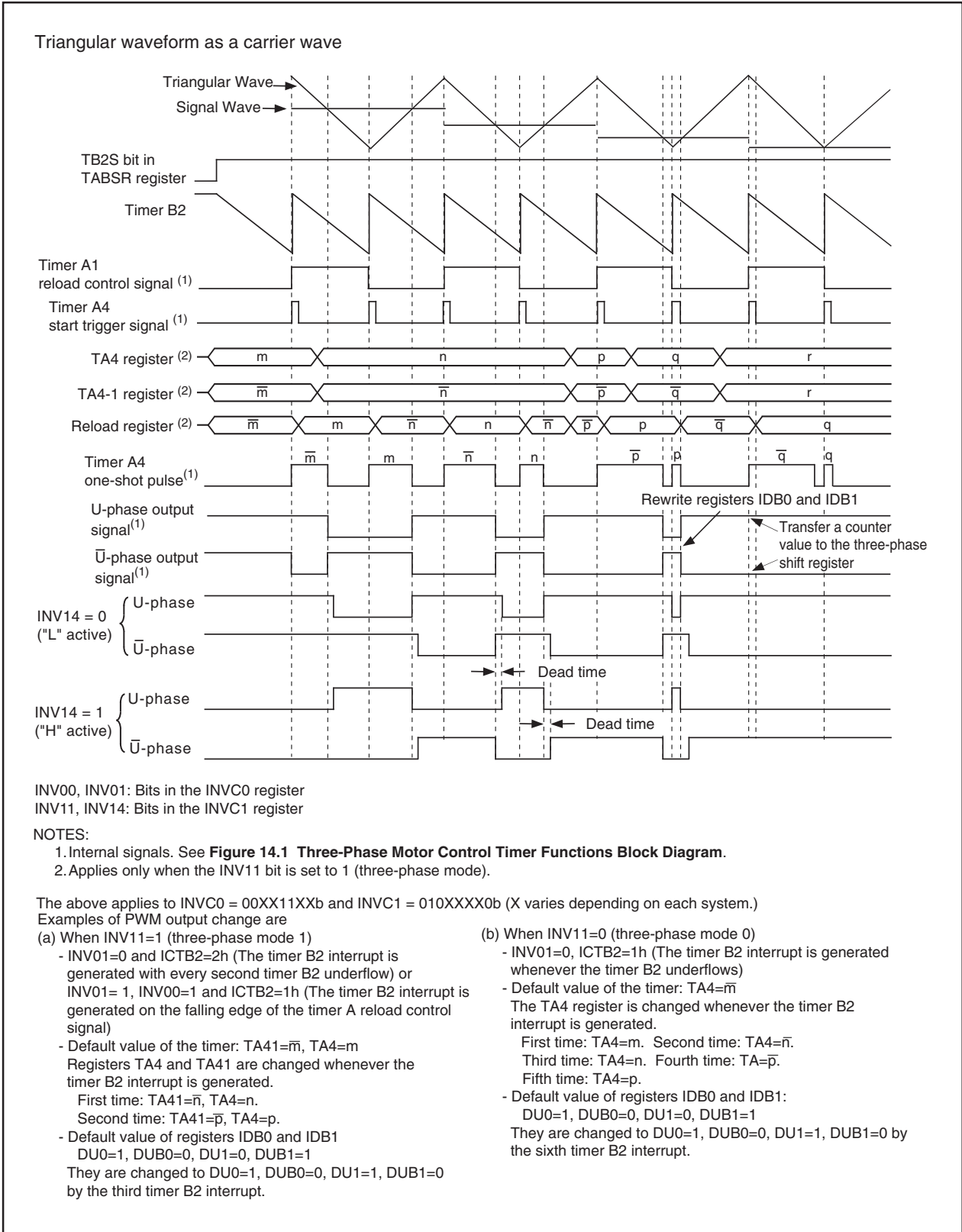


Figure 14.9 Triangular Wave Modulation Operation

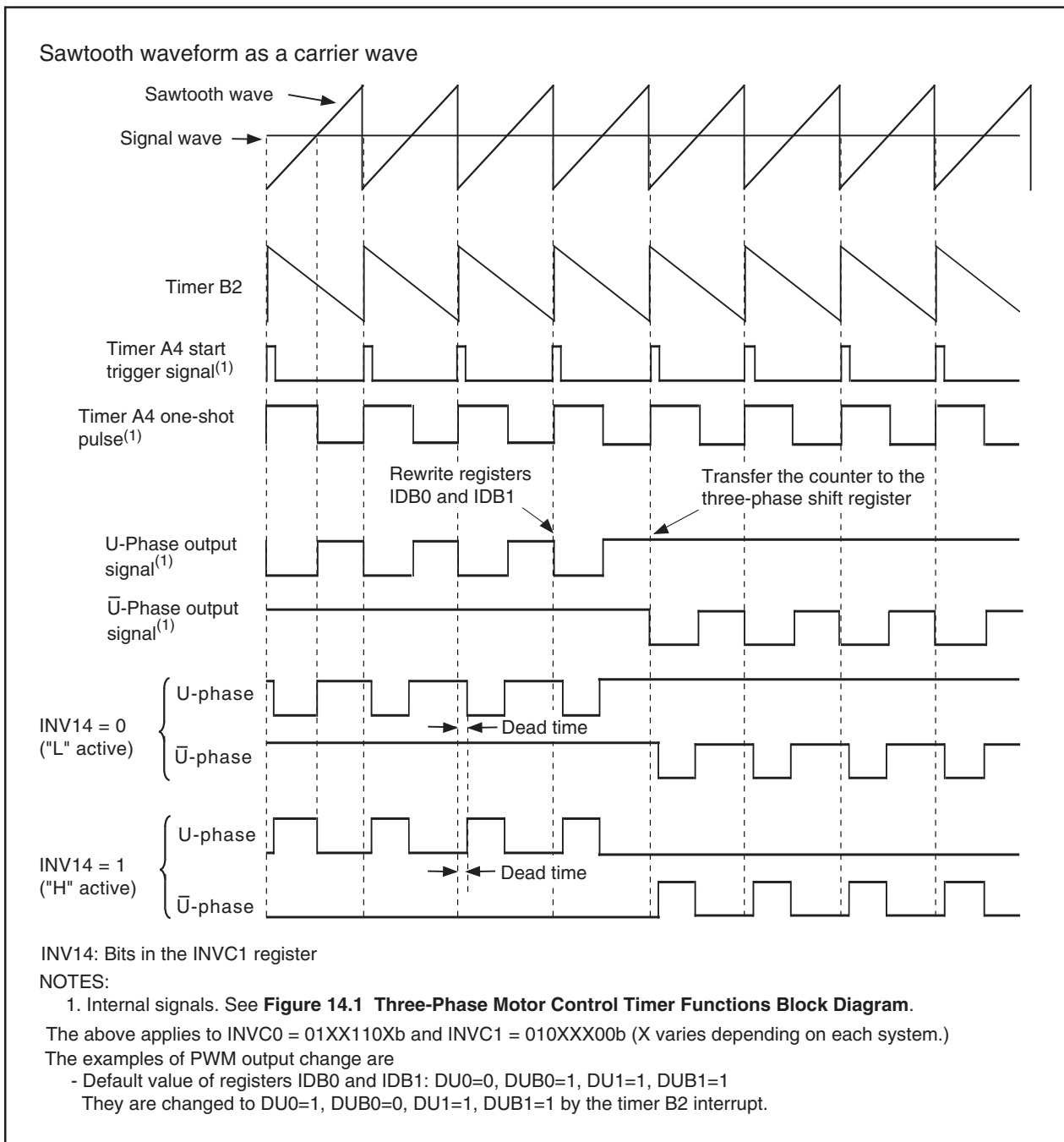


Figure 14.10 Sawtooth Wave Modulation Operation

15. Serial Interface

Serial interface is configured with 4 channels: UART0 to UART2 and SI/O3.

15.1 UARTi (i = 0 to 2)

UARTi each have an exclusive timer to generate a transfer clock, so they operate independently of each other. Figures 15.1 to 15.3 show the UARTi Block Diagram. Figure 15.4 shows the UARTi Transmit/Receive Unit.

UARTi has the following modes:

- Clock synchronous serial I/O mode
- Clock asynchronous serial I/O mode (UART mode).
- Special mode 1 (I²C mode)
- Special mode 2
- Special mode 3 (Bus collision detection function, IE mode)
- Special mode 4 (SIM mode) : UART2

Figures 15.5 to 15.10 show the UARTi-related registers.

Refer to tables listing each mode for register setting.

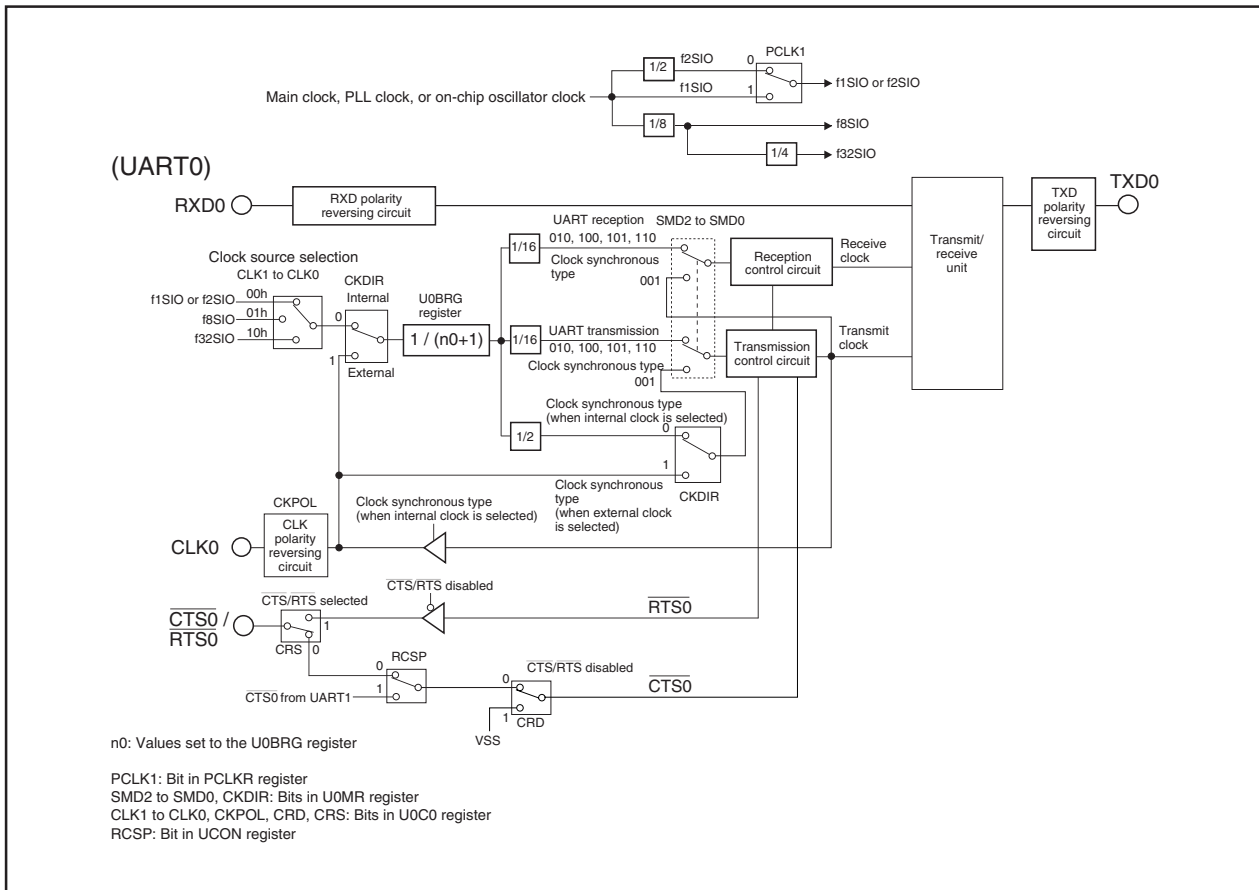


Figure 15.1 UART0 Block Diagram

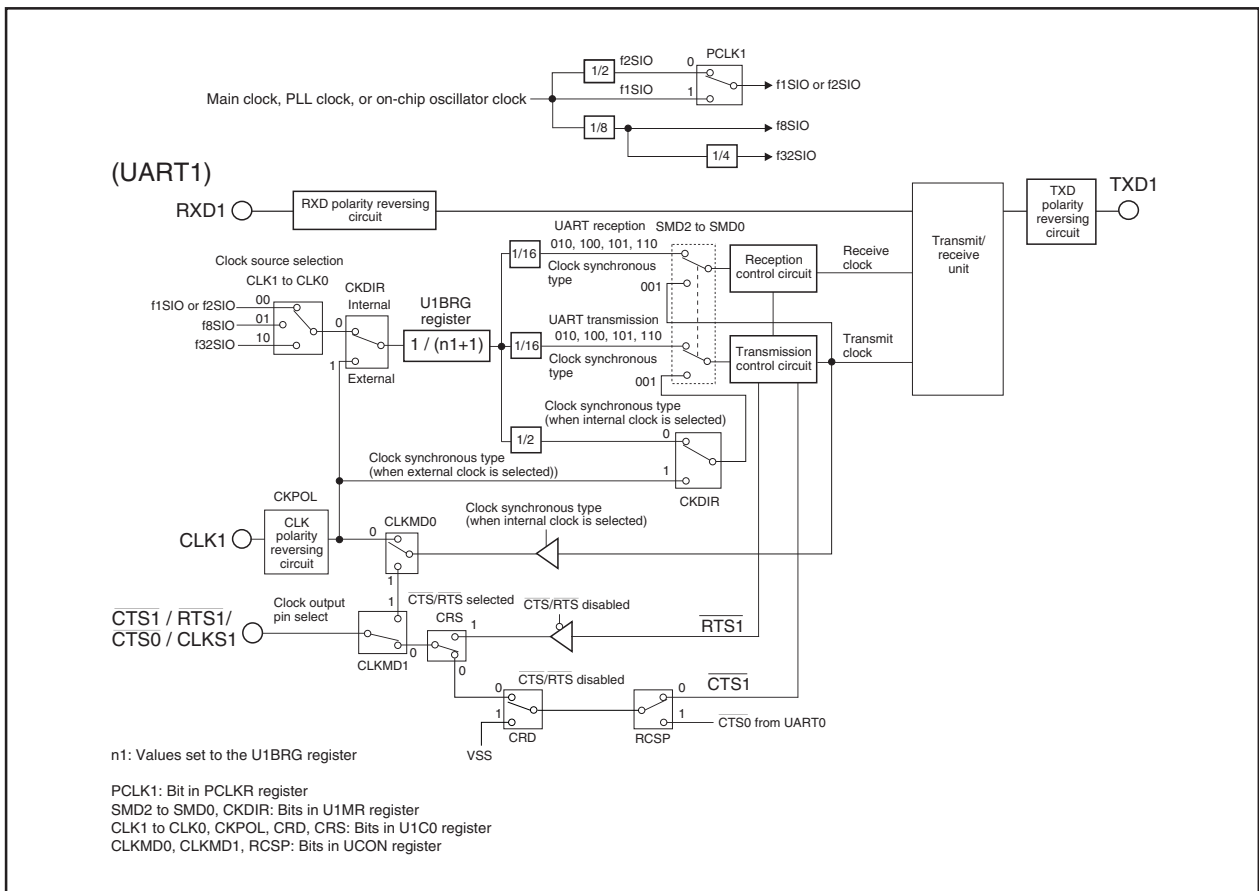


Figure 15.2 UART1 Block Diagram

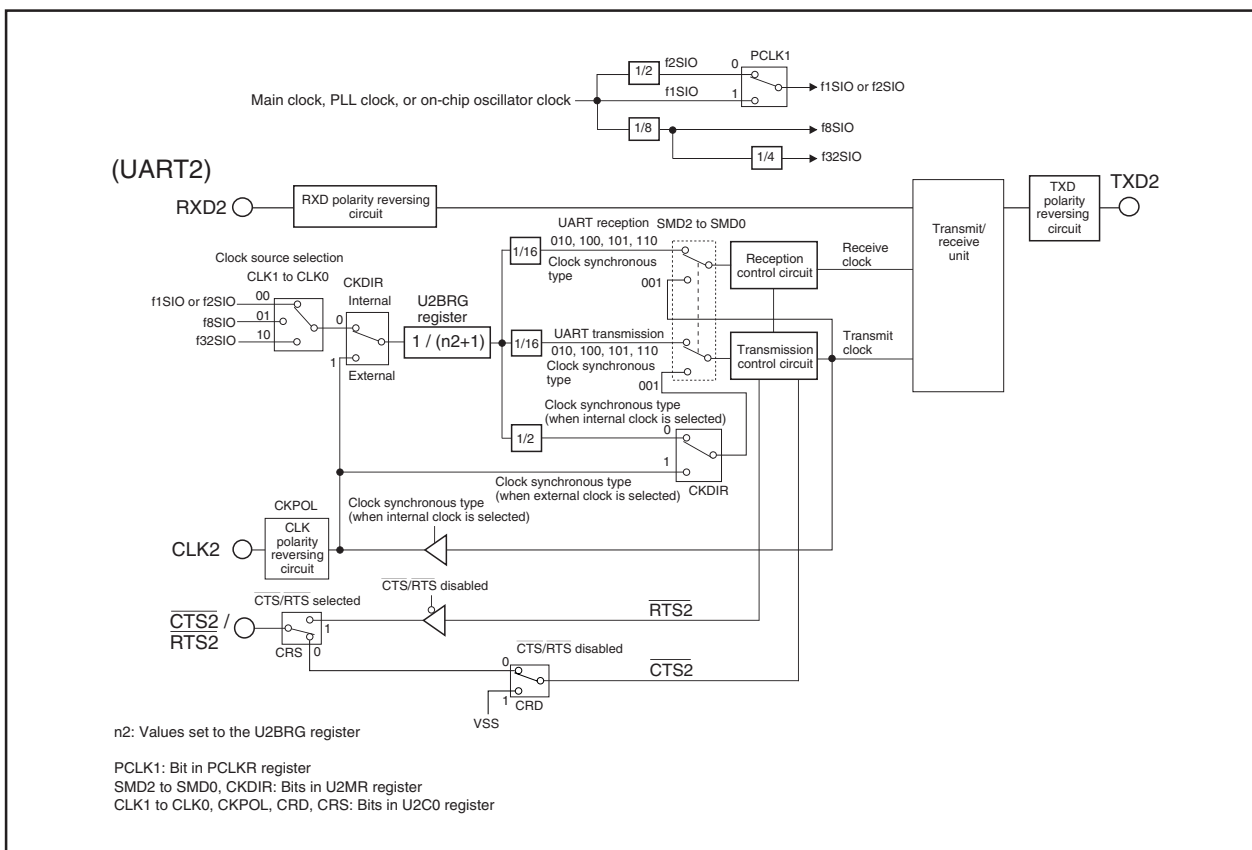


Figure 15.3 UART2 Block Diagram

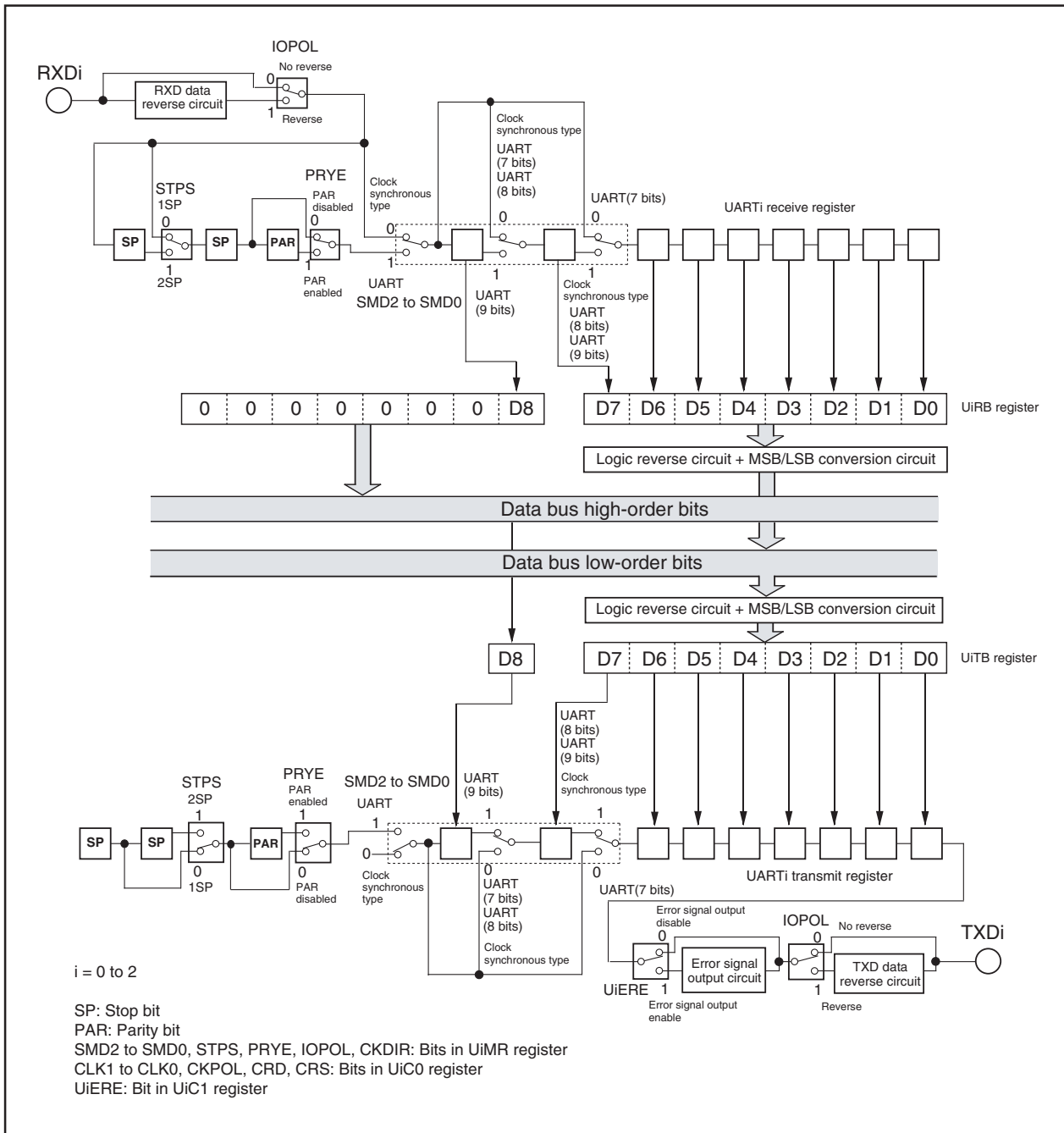


Figure 15.4 UARTi Transmit/Receive Unit

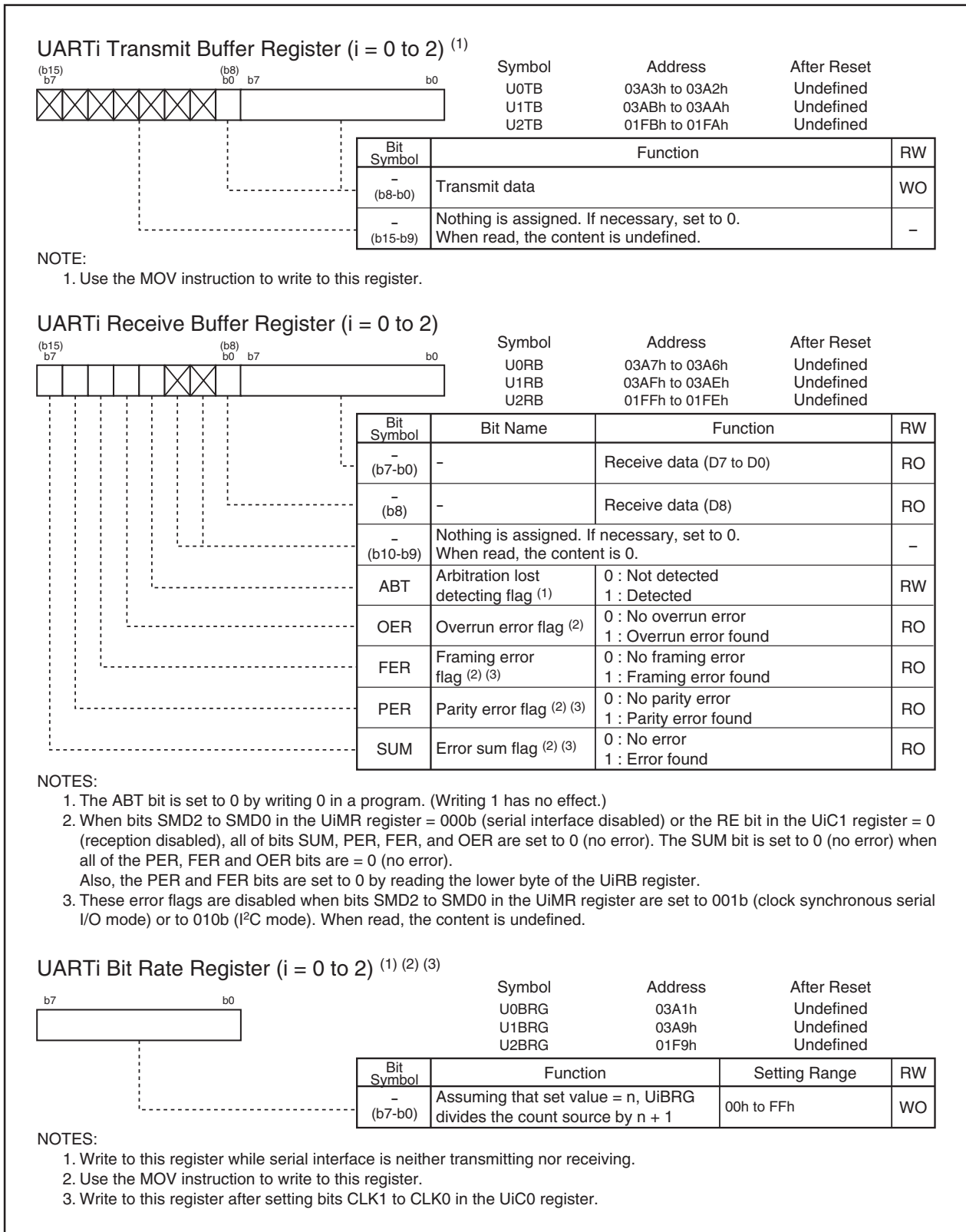


Figure 15.5 Registers U0TB to U2TB, U0RB to U2RB, and U0BRG to U2BRG

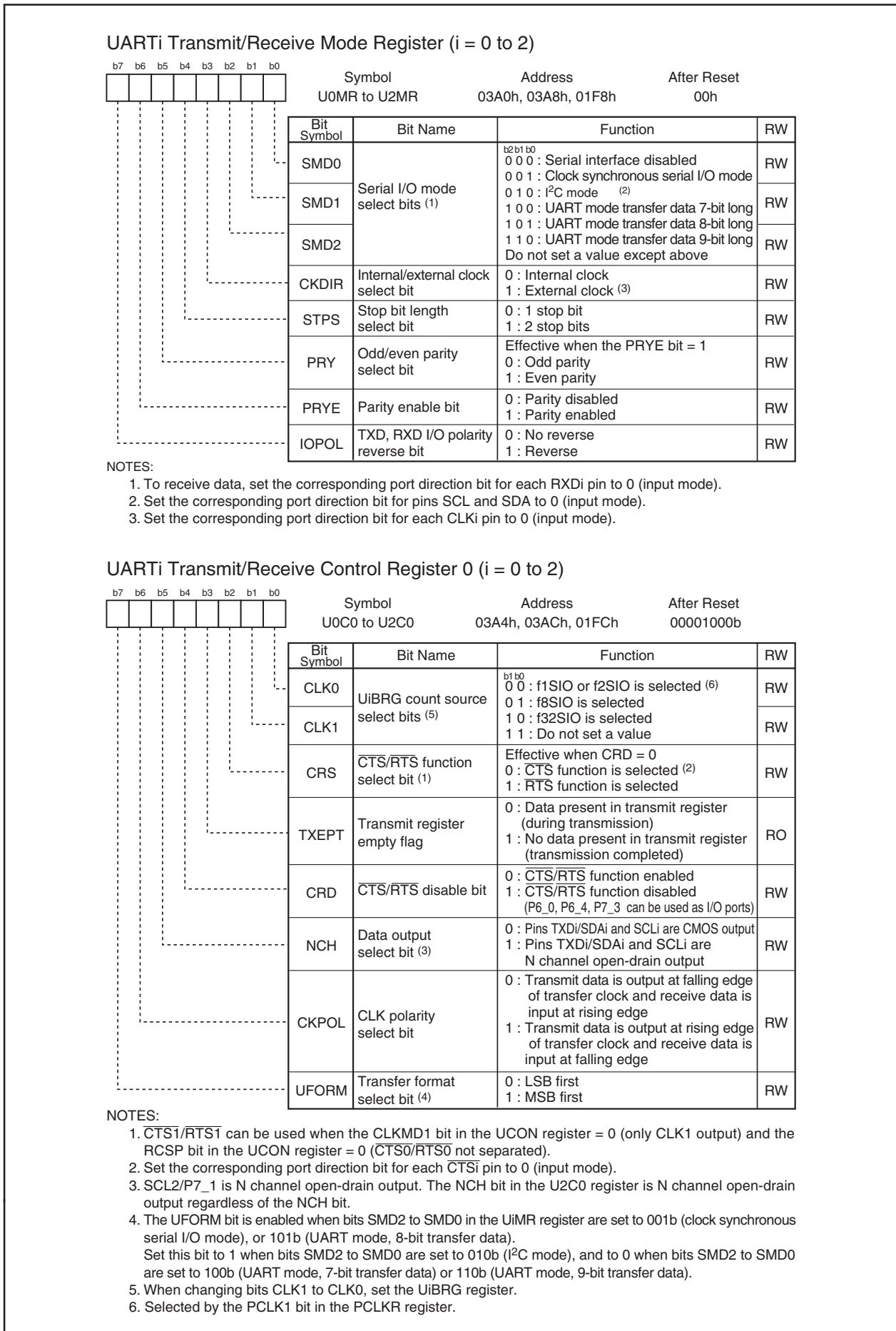


Figure 15.6 Registers U0MR to U2MR and U0C0 to U2C0

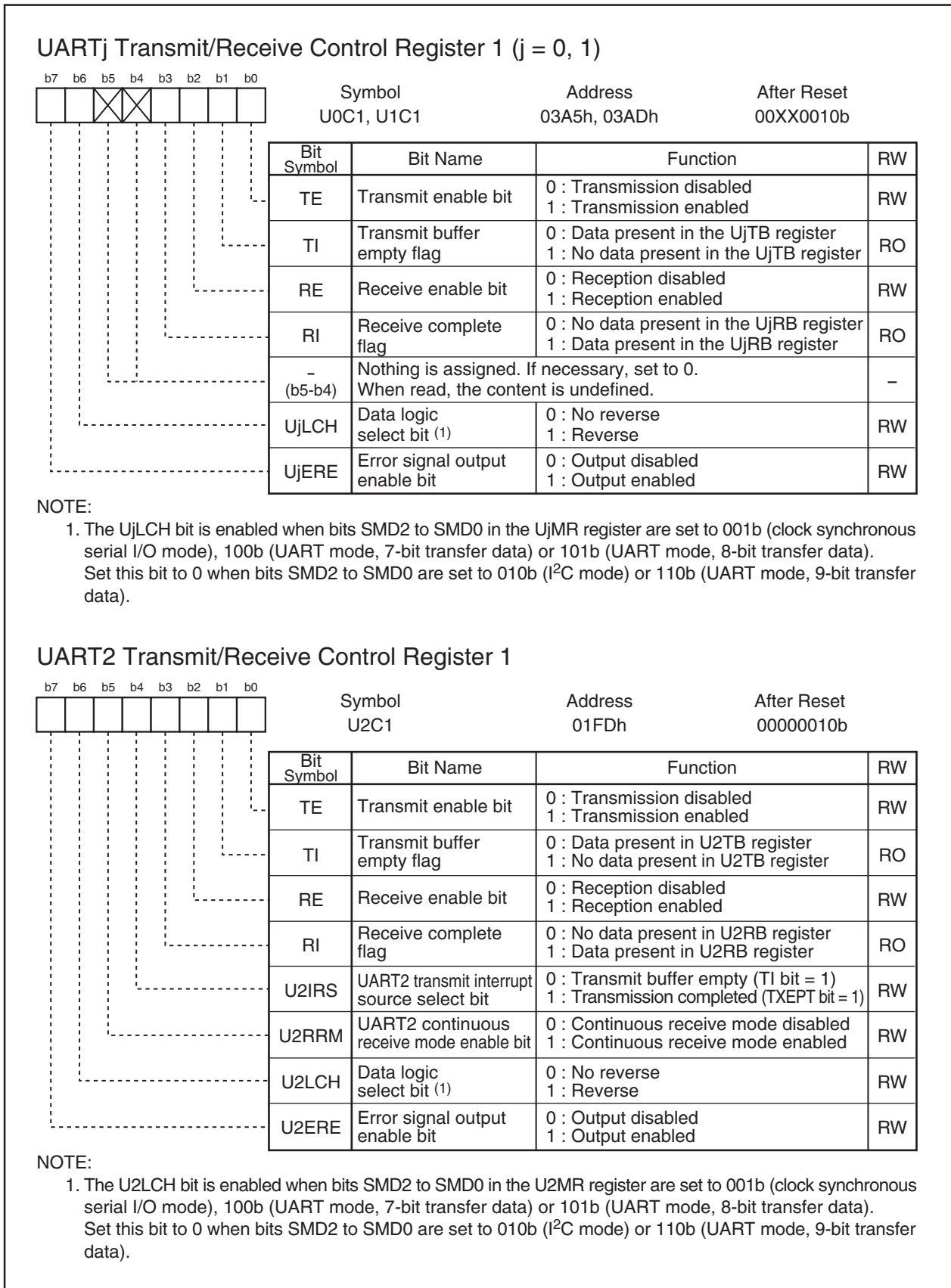


Figure 15.7 Registers U0C1, U1C1, and U2C1

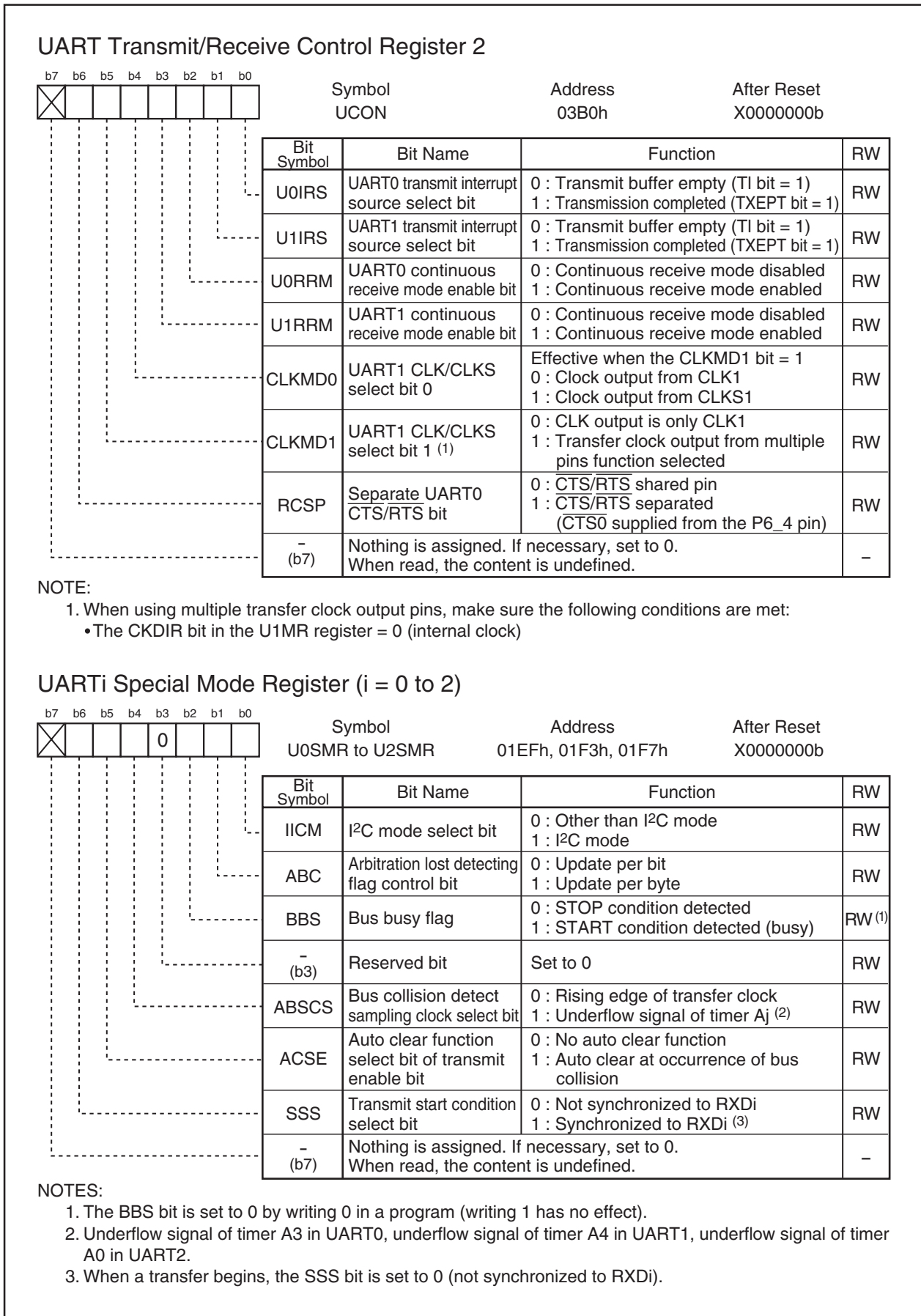


Figure 15.8 Registers UCON, and U0SMR to U2SMR

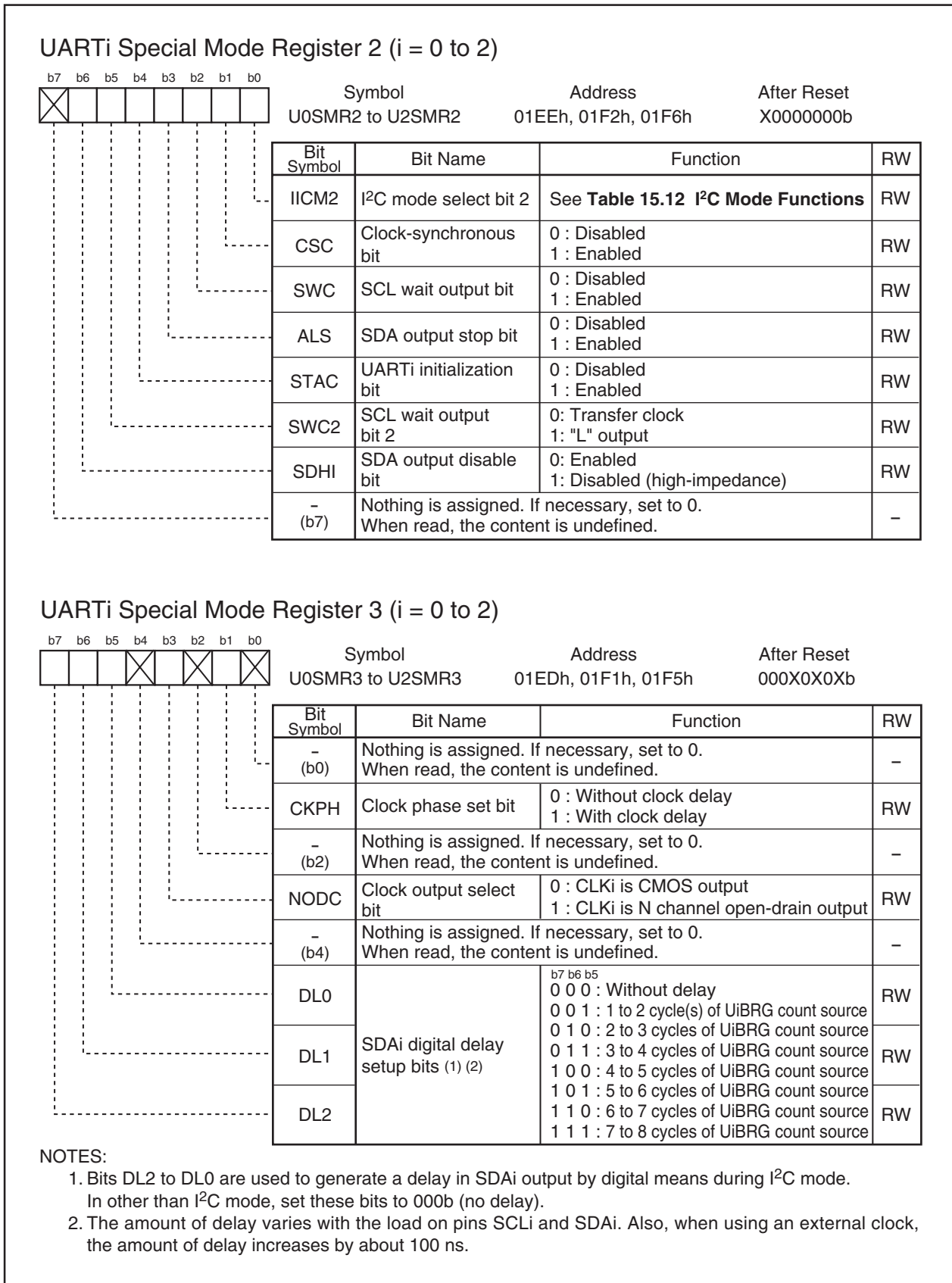


Figure 15.9 Registers U0SMR2 to U2SMR2 and U0SMR3 to U2SMR3

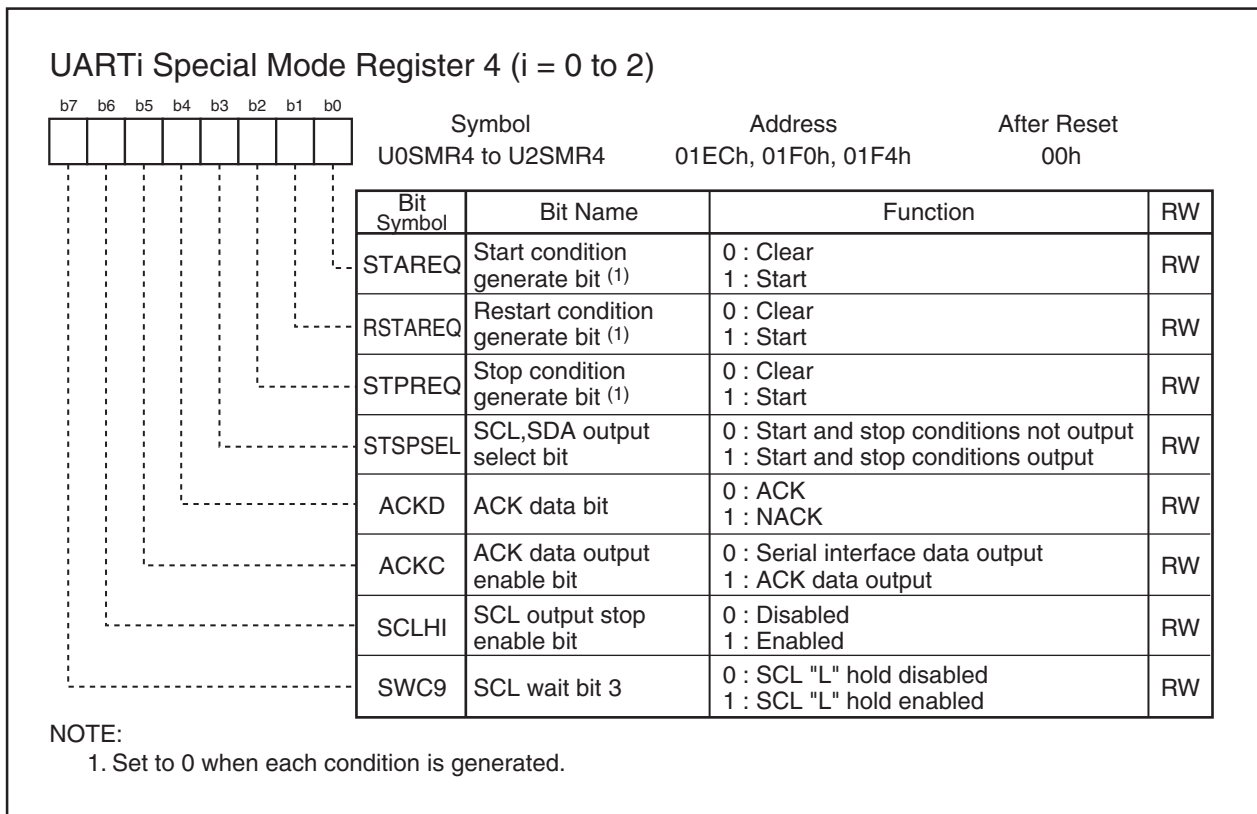


Figure 15.10 Registers U0SMR4 to U2SMR4

15.1.1 Clock Synchronous Serial I/O Mode

The clock synchronous serial I/O mode uses a transfer clock to transmit and receive data.

Table 15.1 lists the Clock Synchronous Serial I/O Mode Specifications. Table 15.2 lists the Registers to be Used in and Setting in Clock Synchronous Serial I/O Mode.

Table 15.1 Clock Synchronous Serial I/O Mode Specifications

Item	Specification
Transfer data format	Transfer data length: 8 bits
Transfer clock	The CKDIR bit in the UiMR register = 0 (internal clock) : $f_j/(2(n+1))$ <ul style="list-style-type: none"> $f_j = f1SIO, f2SIO, f8SIO, f32SIO$. n: Setting value of the UiBRG register 00h to FFh The CKDIR bit = 1 (external clock) : Input from CLKi pin
Transmit/receive control	Selectable from \overline{CTS} function, \overline{RTS} function or $\overline{CTS}/\overline{RTS}$ function disabled
Transmit start condition	Before transmission can start, meet the following requirements ⁽¹⁾ <ul style="list-style-type: none"> The TE bit in the UiC1 register = 1 (transmission enabled) The TI bit in the UiC1 register = 0 (data present in the UiTB register) If CTS function is selected, input on the \overline{CTS}i pin = L
Receive start condition	Before reception can start, meet the following requirements ⁽¹⁾ <ul style="list-style-type: none"> The RE bit in the UiC1 register = 1 (reception enabled) The TE bit in the UiC1 register = 1 (transmission enabled) The TI bit in the UiC1 register = 0 (data present in the UiTB register)
Interrupt request generation timing	For transmission, one of the following conditions can be selected <ul style="list-style-type: none"> The UiIRS bit ⁽²⁾ = 0 (transmit buffer empty): when transferring data from the UiTB register to the UARTi transmit register (at start of transmission) The UiIRS bit = 1 (transmission completed): when the serial interface finished transmitting data from the UARTi transmit register For reception <ul style="list-style-type: none"> When transferring data from the UARTi receive register to the UiRB register (at completion of reception)
Error detection	Overrun error ⁽³⁾ This error occurs if the serial interface started receiving the next data before reading the UiRB register and received the 7th bit of the next data
Select function	<ul style="list-style-type: none"> CLK polarity selection Transfer data input/output can be selected to occur synchronously with the rising or the falling edge of the transfer clock LSB first, MSB first selection Whether to start transmitting or receiving data begins with bit 0 or begins with bit 7 can be selected Continuous receive mode selection Reception is enabled immediately by reading the UiRB register Switching serial data logic This function reverses the logic value of the transmit/receive data Transfer clock output from multiple pins selection (UART1) The output pin can be selected in a program from two UART1 transfer clock pins that have been set Separate $\overline{CTS}/\overline{RTS}$ pins (UART0) $\overline{CTS0}$ and $\overline{RTS0}$ are input/output from separate pins

i = 0 to 2

NOTES:

- When an external clock is selected, the conditions must be met while if the CKPOL bit in the UiC0 register = 0 (transmit data output at the falling edge and the receive data taken in at the rising edge of the transfer clock), the external clock is in the high state; if the CKPOL bit in the UiC0 register = 1 (transmit data output at the rising edge and the receive data taken in at the falling edge of the transfer clock), the external clock is in the low state.
- Bits U0IRS and U1IRS are bits 0 and 1 in the UCON register; the U2IRS bit is bit 4 in the U2C1 register.
- If an overrun error occurs, the receive data of UiRB register will be undefined. The IR bit in the SiRIC register remains unchanged.

Table 15.2 Registers to be Used and Settings in Clock Synchronous Serial I/O Mode

Register	Bit	Function
UiTB ⁽¹⁾	0 to 7	Set transmit data
UiRB ⁽¹⁾	0 to 7	Receive data can be read
	OER	Overflow error flag
UiBRG	0 to 7	Set a bit rate
UiMR ⁽¹⁾	SMD2 to SMD0	Set to 001b
	CKDIR	Select the internal clock or external clock
	IOPOL	Set to 0
UiC0	CLK1 to CLK0	Select the count source for the UiBRG register
	CRS	Select CTS or RTS to use
	TXEPT	Transmit register empty flag
	CRD	Select CTS/RTS function enabled or disabled
	NCH	Select TXDi pin output mode
	CKPOL	Select the transfer clock polarity
	UFORM	Select the LSB first or MSB first
UiC1	TE	Set this bit to 1 to enable transmission
	TI	Transmit buffer empty flag
	RE	Set this bit to 1 to enable reception
	RI	Reception complete flag
	U2IRS ⁽²⁾	Select the UART2 transmit interrupt source
	U2RRM ⁽²⁾	Set this bit to 1 to use continuous receive mode
	UiLCH	Set this bit to 1 to use inverted data logic
	UiERE	Set to 0
UiSMR	0 to 7	Set to 0
UiSMR2	0 to 7	Set to 0
UiSMR3	0 to 2	Set to 0
	NODC	Select clock output mode
	4 to 7	Set to 0
UiSMR4	0 to 7	Set to 0
UCON	U0IRS, U1IRS	Select the UART0/UART1 transmit interrupt source
	U0RRM, U1RRM	Set this bit to 1 to use continuous receive mode
	CLKMD0	Select the transfer clock output pin when the CLKMD1 bit = 1
	CLKMD1	Set this bit to 1 to output UART1 transfer clock from two pins
	RCSP	Set this bit to 1 to accept as input the $\overline{\text{CTS0}}$ signal of the UART0 from the P6_4 pin
	7	Set to 0

i = 0 to 2

NOTES:

1. Not all register bits are described above. Set those bits to 0 when writing to the registers in clock synchronous serial I/O mode.
2. Set bits 4 and 5 in registers U0C1 and U1C1 to 0. Bits U0IRS, U1IRS, U0RRM, and U1RRM are in the UCON register.

Table 15.3 lists the I/O Pin Functions (when not select multiple transfer clock output pin select function) in clock synchronous serial I/O mode. Table 15.4 lists the P6_4 Pin Functions in clock synchronous serial I/O mode.

Note that for a period from when the UART_i operating mode is selected to when transfer starts, the TXD_i pin outputs an “H”.

Figure 15.11 shows the Transmit/Receive Operation during clock synchronous serial I/O mode.

Table 15.3 I/O Pin Functions (when not select multiple transfer clock output pin select function)

Pin Name	Function	Method of Selection
TXD _i (P6_3, P6_7, P7_0)	Serial data output	(Outputs dummy data when performing reception only)
RXD _i (P6_2, P6_6, P7_1)	Serial data input	Bits PD6_2 and PD6_6 in PD6 register = 0 PD7_1 bit in PD7 register = 0 (Can be used as an input port when performing transmission only)
CLK _i (P6_1, P6_5, P7_2)	Transfer clock output	CKDIR bit in UiMR register = 0
	Transfer clock input	CKDIR bit = 1 Bits PD6_1 and PD6_5 in PD6 register = 0 PD7_2 bit in PD7 register = 0
CTS _i /RTS _i (P6_0, P6_4, P7_3)	CTS input	CRD bit in UiC0 register = 0 CRS bit in UiC0 register = 0 Bits PD6_0 and PD6_4 in PD6 register = 0 PD7_3 bit in PD7 register = 0
	RTS output	CRD bit = 0 CRS bit = 1
	I/O port	CRD bit = 1

i = 0 to 2

Table 15.4 P6_4 Pin Functions

Pin Function	Bit set Value					
	U1C0 Register		UCON Register			PD6 Register
	CRD bit	CRS bit	RCSP bit	CLKMD1 bit	CLKMD0 bit	PD6_4 bit
P6_4	1	-	0	0	-	Input: 0, Output: 1
CTS1	0	0	0	0	-	0
RTS1	0	1	0	0	-	-
CTS0 ⁽¹⁾	0	0	1	0	-	0
CLKS1	-	-	-	1 ⁽²⁾	1	-

∴: 0 or 1

NOTES:

- In addition to this, set the CRD bit in the U0C0 register to 0 (CTS₀/RTS₀ enabled) and the CRS bit in the U0C0 register to 1 (RTS₀ selected).
- When the CLKMD1 bit = 1 and the CLKMD0 bit = 0, the following logic levels are output:
 - High if the CLKPOL bit in the U1C0 register = 0
 - Low if the CLKPOL bit = 1

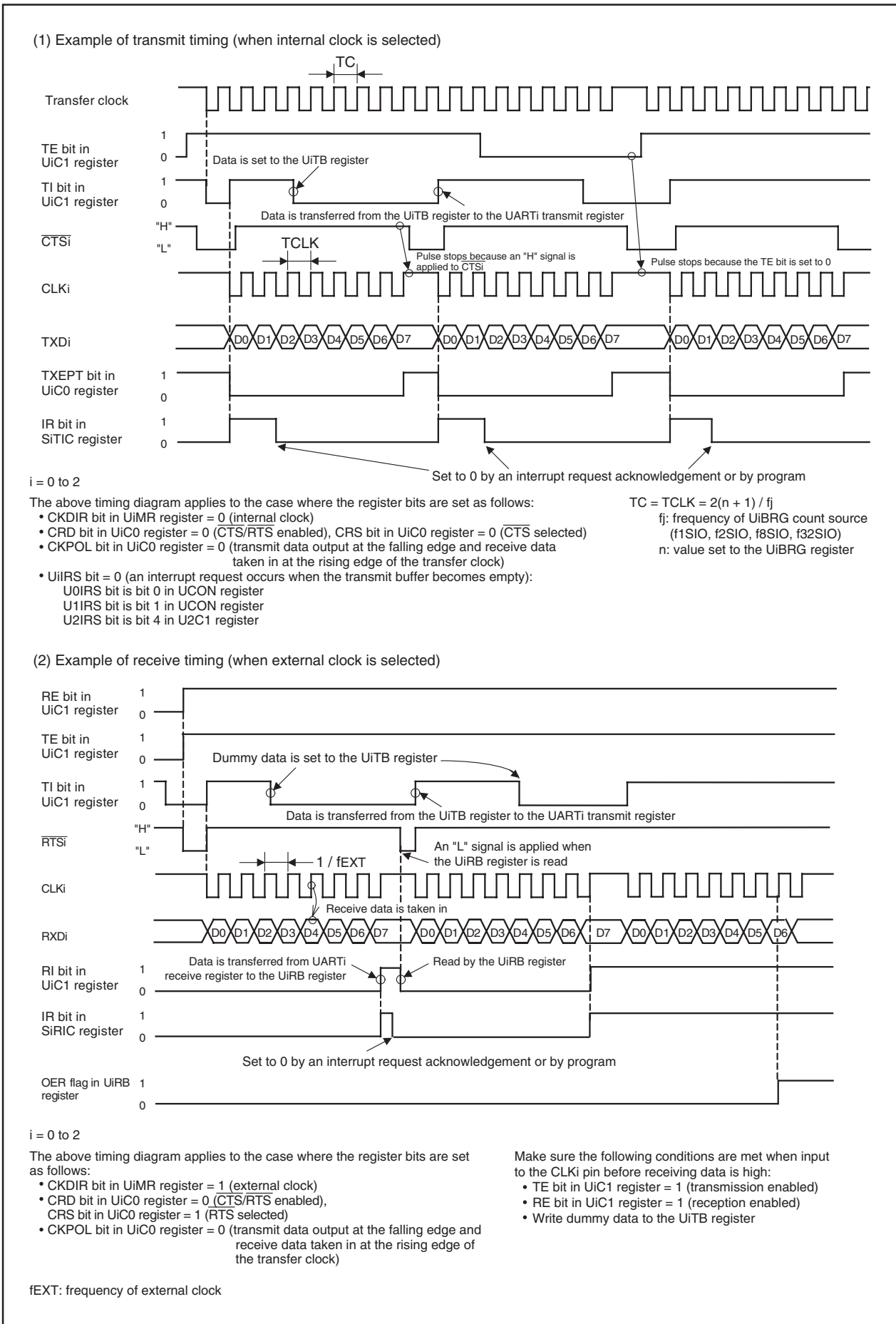


Figure 15.11 Transmit and Receive Operation

15.1.1.1 Counter Measure for Communication Error Occurs

If a communication error occurs while transmitting or receiving in clock synchronous serial I/O mode, follow the procedures below.

- Resetting the UiRB register ($i = 0$ to 2)
 - (1) Set the RE bit in the UiC1 register to 0 (reception disabled)
 - (2) Set bits SMD2 to SMD0 in the UiMR register to 000b (serial interface disabled)
 - (3) Set bits SMD2 to SMD0 in the UiMR register to 001b (clock synchronous serial I/O mode)
 - (4) Set the RE bit in the UiC1 register to 1 (reception enabled)

- Resetting the UiTB register ($i = 0$ to 2)
 - (1) Set bits SMD2 to SMD0 in the UiMR register to 000b (serial interface disabled)
 - (2) Set bits SMD2 to SMD0 in the UiMR register to 001b (clock synchronous serial I/O mode)
 - (3) 1 (transmission enabled) is written to the TE bit in the UiC1 register, regardless of the TE bit

15.1.1.2 CLK Polarity Select Function

Use the CKPOL bit in the UiC0 register ($i = 0$ to 2) to select the transfer clock polarity. Figure 15.12 shows the Transfer Clock Polarity.

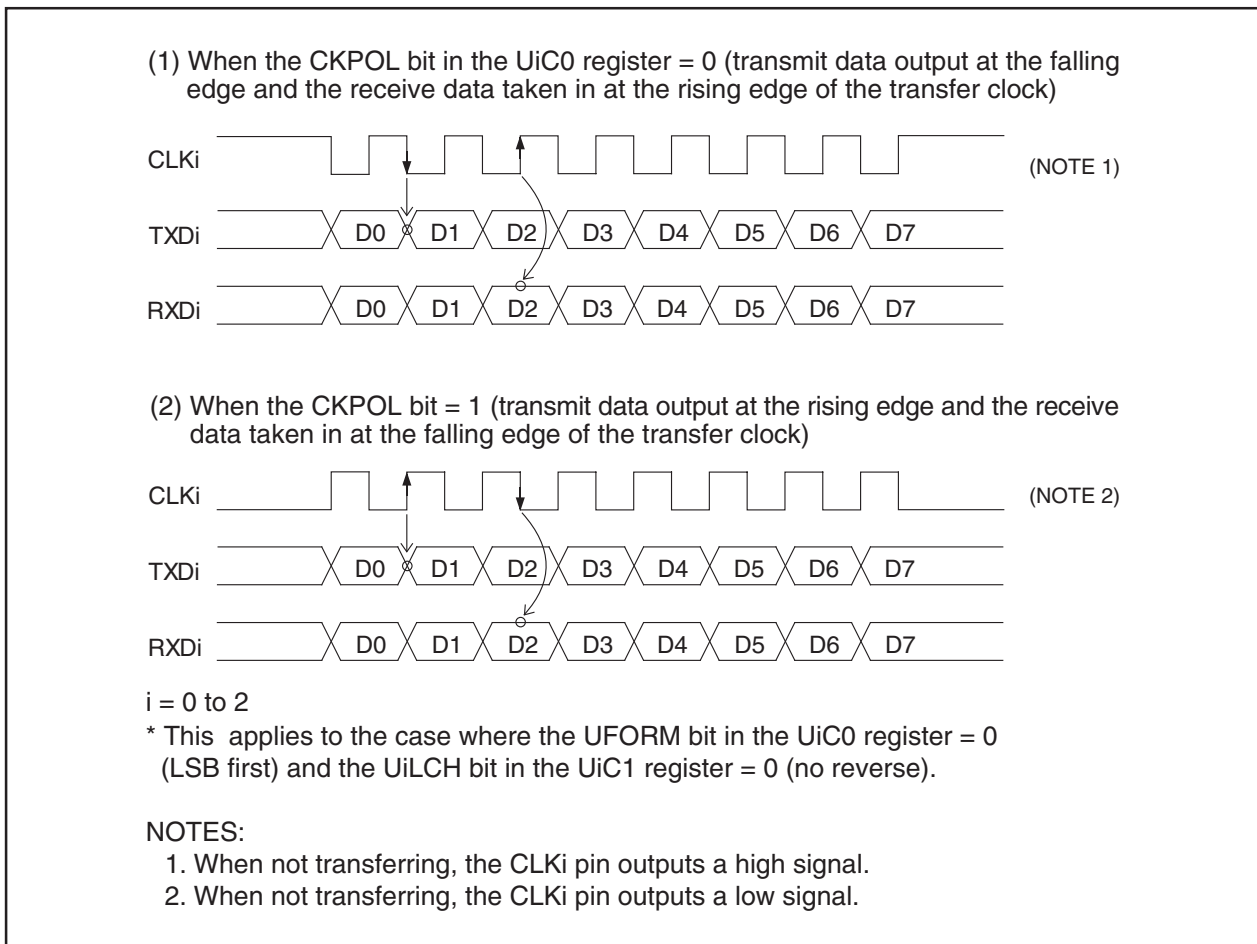


Figure 15.12 Transfer Clock Polarity

15.1.1.3 LSB First/MSB First Select Function

Use the UFORM bit in the UiC0 register ($i = 0$ to 2) to select the transfer format.

Figure 15.13 shows the Transfer Format.

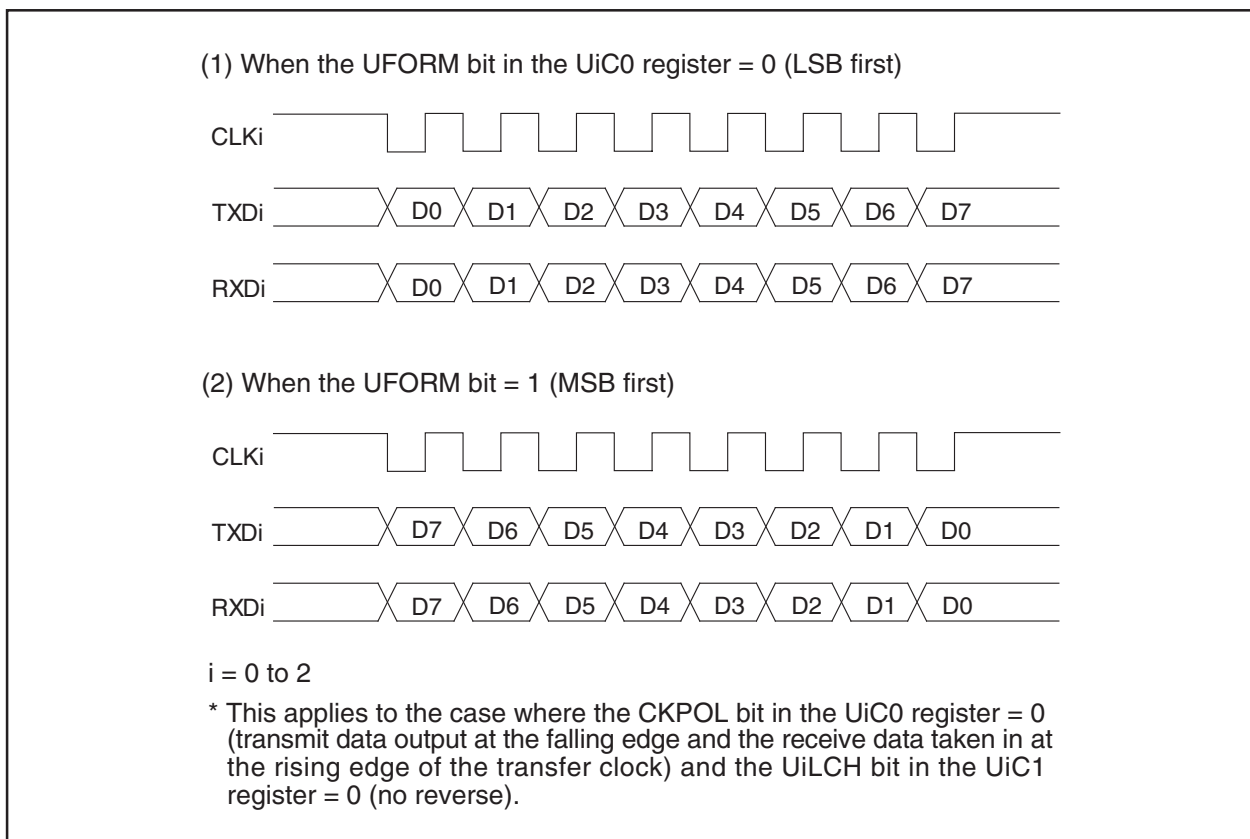


Figure 15.13 Transfer Format

15.1.1.4 Continuous Receive Mode

In continuous receive mode, receive operation becomes enable when the receive buffer register is read. It is not necessary to write dummy data into the transmit buffer register to enable receive operation in this mode. However, a dummy read of the receive buffer register is required when starting the operating mode.

When the UiRRM bit ($i = 0$ to 2) = 1 (continuous receive mode), the TI bit in the UiC1 register is set to 0 (data present in UiTB register) by reading the UiRB register. In this case, i.e., UiRRM bit = 1, do not write dummy data to the UiTB register in a program. Bits U0RRM and U1RRM are bits 2 and 3 in the UCON register, respectively, and the U2RRM bit is the bit 5 in the U2C1 register.

15.1.1.5 Serial Data Logic Switching Function

When the UiLCH bit in the UiC1 register ($i = 0$ to 2) = 1 (reverse), the data written to the UiTB register has its logic reversed before being transmitted. Similarly, the receive data has its logic reversed when read from the UiRB register. Figure 15.14 shows the Serial Data Logic Switching.

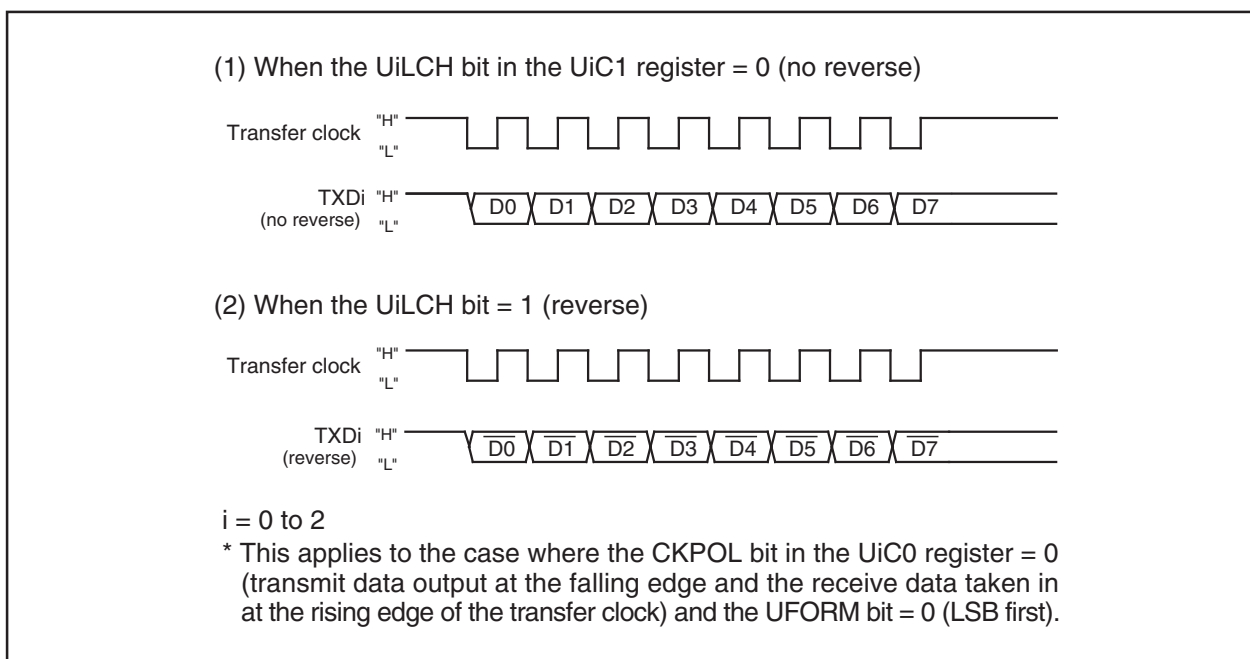


Figure 15.14 Serial Data Logic Switching

15.1.1.6 Transfer Clock Output From Multiple Pins (UART1)

Use bits CLKMD1 to CLKMD0 in the UCON register to select one of the two transfer clock output pins. Figure 15.15 shows the Transfer Clock Output from Multiple Pins. This function can be used when the selected transfer clock for UART1 is an internal clock.

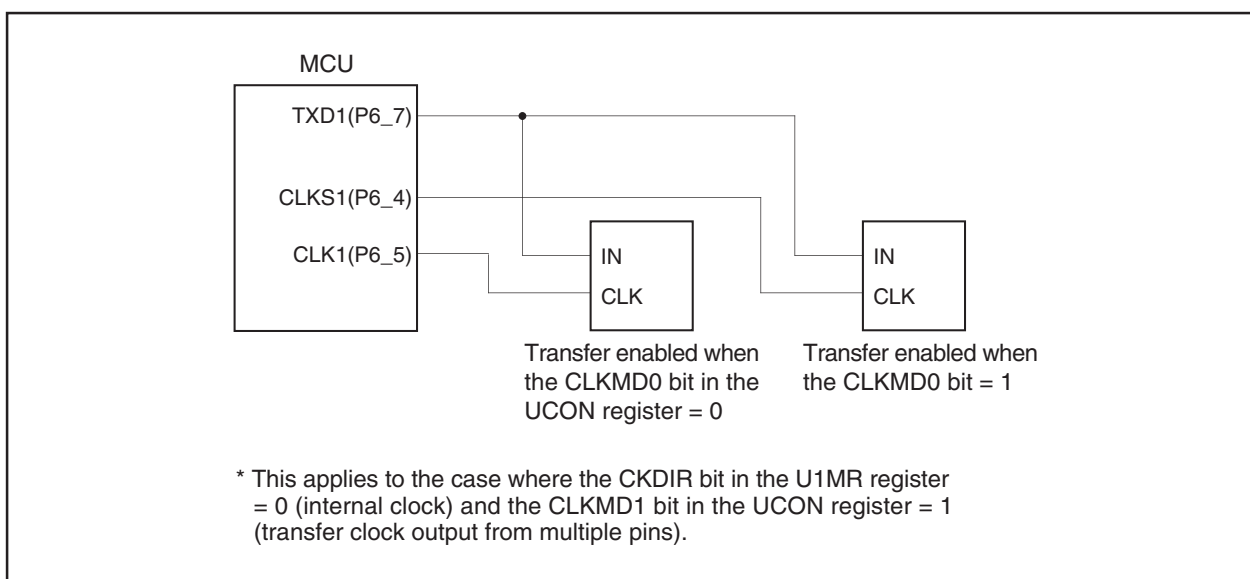


Figure 15.15 Transfer Clock Output from Multiple Pins

15.1.1.7 $\overline{\text{CTS}}/\overline{\text{RTS}}$ Function

When the $\overline{\text{CTS}}$ function is used transmit and receive operation start when “L” is applied to the $\overline{\text{CTS}}_i/\overline{\text{RTS}}_i$ ($i = 0$ to 2) pin. Transmit and receive operation begins when the $\overline{\text{CTS}}_i/\overline{\text{RTS}}_i$ pin is held “L”. If the “L” signal is switched to “H” during a transmit or receive operation, the operation stops before the next data.

When the $\overline{\text{RTS}}$ function is used, the $\overline{\text{CTS}}_i/\overline{\text{RTS}}_i$ pin outputs on “L” signal when the MCU is ready to receive. The output level becomes “H” on the first falling edge of the CLK_i pin.

- CRD bit in $\text{U}i\text{C}0$ register = 1 ($\overline{\text{CTS}}/\overline{\text{RTS}}$ function disabled) $\overline{\text{CTS}}_i/\overline{\text{RTS}}_i$ pin is programmable I/O function
- CRD bit = 0, CRS bit in $\text{U}i\text{C}0$ register = 0 ($\overline{\text{CTS}}$ function is selected) $\overline{\text{CTS}}_i/\overline{\text{RTS}}_i$ pin is $\overline{\text{CTS}}$ function
- CRD bit = 0, CRS bit = 1 ($\overline{\text{RTS}}$ function is selected) $\overline{\text{CTS}}_i/\overline{\text{RTS}}_i$ pin is $\overline{\text{RTS}}$ function

15.1.1.8 $\overline{\text{CTS}}/\overline{\text{RTS}}$ Separate Function (UART0)

This function separates $\overline{\text{CTS}}_0/\overline{\text{RTS}}_0$, outputs $\overline{\text{RTS}}_0$ from the P6_0 pin, and accepts as input the $\overline{\text{CTS}}_0$ from the P6_4 pin. To use this function, set the register bits as shown below.

- CRD bit in $\text{U}0\text{C}0$ register = 0 ($\overline{\text{CTS}}/\overline{\text{RTS}}$ of UART0 enabled)
- CRS bit in $\text{U}0\text{C}0$ register = 1 (output $\overline{\text{RTS}}$ of UART0)
- CRD bit in $\text{U}1\text{C}0$ register = 0 ($\overline{\text{CTS}}/\overline{\text{RTS}}$ of UART1 enabled)
- CRS bit in $\text{U}1\text{C}0$ register = 0 (input $\overline{\text{CTS}}$ of UART1)
- RCSP bit in $\text{U}CON$ register = 1 (input $\overline{\text{CTS}}_0$ from the P6_4 pin)
- $\text{CLKMD}1$ bit in $\text{U}CON$ register = 0 ($\text{CLKS}1$ not used)

Note that when using the $\overline{\text{CTS}}/\overline{\text{RTS}}$ separate function, $\overline{\text{CTS}}/\overline{\text{RTS}}$ of UART1 separate function cannot be used.

Figure 15.16 shows the $\overline{\text{CTS}}/\overline{\text{RTS}}$ Separate Function.

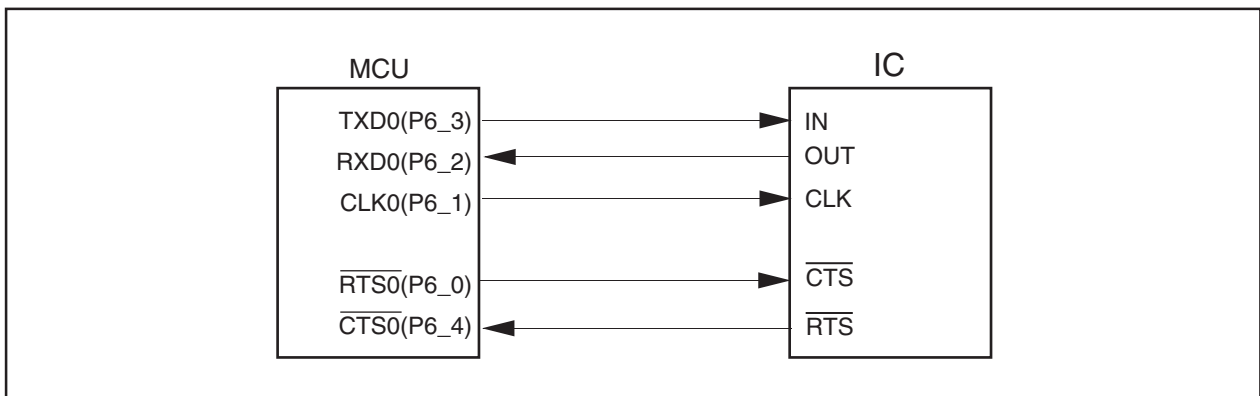


Figure 15.16 $\overline{\text{CTS}}/\overline{\text{RTS}}$ Separate Function

15.1.2 Clock Asynchronous Serial I/O (UART) Mode

The UART mode allows transmitting and receiving data after setting the desired bit rate and transfer data format. Table 15.5 lists the UART Mode Specifications. Table 15.6 lists the Registers to be Used and Setting in UART Mode.

Table 15.5 UART Mode Specifications

Item	Specification
Transfer data format	<ul style="list-style-type: none"> Character bit (transfer data): Selectable from 7, 8 or 9 bits Start bit: 1 bit Parity bit: Selectable from odd, even, or none Stop bit: Selectable from 1 or 2 bits
Transfer clock	<ul style="list-style-type: none"> CKDIR bit in UiMR register = 0 (internal clock) : $f_j/(16(n+1))$ $f_j = f1SIO, f2SIO, f8SIO, f32SIO$. n: Setting value of the UiBRG register 00h to FFh The CKDIR bit = 1 (external clock) : $fEXT/(16(n+1))$ $fEXT$: Input from CLKi pin. n: Setting value of the UiBRG register 00h to FFh
Transmit/receive control	Selectable from CTS function, RTS function or CTS/RTS function disabled
Transmit start condition	Before transmission can start, meet the following requirements <ul style="list-style-type: none"> The TE bit in the UiC1 register = 1 (transmission enabled) The TI bit in the UiC1 register = 0 (data present in UiTB register) If CTS function is selected, input on the CTSi pin = L
Receive start condition	Before reception can start, meet the following requirements <ul style="list-style-type: none"> The RE bit in the UiC1 register = 1 (reception enabled) Start bit detection
Interrupt request generation timing	For transmission, one of the following conditions can be selected <ul style="list-style-type: none"> The UiIRS bit ⁽¹⁾ = 0 (transmit buffer empty): when transferring data from the UiTB register to the UARTi transmit register (at start of transmission) The UiIRS bit = 1 (transmission completed): when the serial interface finished transmitting data from the UARTi transmit register For reception <ul style="list-style-type: none"> When transferring data from the UARTi receive register to the UiRB register (at completion of reception)
Error detection	<ul style="list-style-type: none"> Overrun error ⁽²⁾ This error occurs if the serial interface started receiving the next data before reading the UiRB register and received the bit one before the last stop bit of the next data Framing error ⁽³⁾ This error occurs when the number of stop bits set is not detected Parity error ⁽³⁾ This error occurs when if parity is enabled, the number of 1's in parity and character bits does not match the number of 1's set Error sum flag This flag is set to 1 when any of the overrun, framing, or parity errors occur
Select function	<ul style="list-style-type: none"> LSB first, MSB first selection Whether to start transmitting or receiving data begins with bit 0 or begins with bit 7 can be selected Serial data logic switch This function reverses the logic of the transmit/receive data. The start and stop bits are not reversed. TXD, RXD I/O polarity switch This function reverses the polarities of the TXD pin output and RXD pin input. The logic levels of all I/O data is reversed. Separate CTS/RTS pins (UART0) CTS0 and RTS0 are input/output from separate pins

i = 0 to 2

NOTES:

- Bits U0IRS and U1IRS are bits 0 and 1 in the UCON register. The U2IRS bit is bit 4 in the U2C1 register.
- If an overrun error occurs, the receive data of UiRB register will be undefined. The IR bit in the SiRIC register remains unchanged.
- The timing at which the framing error flag and the parity error flag are set is detected when data is transferred from the UARTi receive register to the UiRB register.

Table 15.6 Registers to Be Used and Settings in UART Mode

Register	Bit	Function
UiTB	0 to 8	Set transmit data ⁽¹⁾
UiRB	0 to 8	Receive data can be read ⁽¹⁾
	OER,FER,PER,SUM	Error flag
UiBRG	0 to 7	Set a bit rate
UiMR	SMD2 to SMD0	Set these bits to 100b when transfer data is 7-bit long Set these bits to 101b when transfer data is 8-bit long Set these bits to 110b when transfer data is 9-bit long
	CKDIR	Select the internal clock or external clock
	STPS	Select the stop bit
	PRY, PRYE	Select whether parity is included and whether odd or even
	IOPOL	Select the TXD/RXD input/output polarity
UiC0	CLK0 to CLK1	Select the count source for the UiBRG register
	CRS	Select CTS or $\overline{\text{RTS}}$ to use
	TXEPT	Transmit register empty flag
	CRD	Select CTS/ $\overline{\text{RTS}}$ function enabled or disabled
	NCH	Select TXDi pin output mode
	CKPOL	Set to 0
	UFORM	LSB first or MSB first can be selected when transfer data is 8-bit long. Set this bit to 0 when transfer data is 7- or 9-bit long.
UiC1	TE	Set this bit to 1 to enable transmission
	TI	Transmit buffer empty flag
	RE	Set this bit to 1 to enable reception
	RI	Reception complete flag
	U2IRS ⁽²⁾	Select the UART2 transmit interrupt source
	U2RRM ⁽²⁾	Set to 0
	UiLCH	Set this bit to 1 to use inverted data logic
	UiERE	Set to 0
UiSMR	0 to 7	Set to 0
UiSMR2	0 to 7	Set to 0
UiSMR3	0 to 7	Set to 0
UiSMR4	0 to 7	Set to 0
UCON	U0IRS, U1IRS	Select the UART0/UART1 transmit interrupt source
	U0RRM, U1RRM	Set to 0
	CLKMD0	Invalid because the CLKMD1 bit = 0
	CLKMD1	Set to 0
	RCSP	Set this bit to 1 to accept as input the $\overline{\text{CTS0}}$ of UART0 signal from the P6_4 pin
	7	Set to 0

i = 0 to 2

NOTES:

- The bits used for transmit/receive data are as follows:
 - Bits 0 to 6 when transfer data is 7-bit long
 - Bits 0 to 7 when transfer data is 8-bit long
 - Bits 0 to 8 when transfer data is 9-bit long.
- Set bits 4 to 5 in registers UOC1 and U1C1 to 0. Bits U0IRS, U1IRS, U0RRM, and U1RRM are included in the UCON register.

Table 15.7 lists the I/O Pins Functions in UART mode. Table 15.8 lists the P6_4 Pin Functions in UART mode. Note that for a period from when the UART_i operating mode is selected to when transfer starts, the TXD_i pin outputs an “H”.

Figure 15.17 shows the Transmit Operation in UART mode. Figure 15.18 shows the Receive Operation in UART mode.

Table 15.7 I/O Pin Functions

Pin Name	Function	Method of Selection
TXD _i (P6_3, P6_7, P7_0)	Serial data output	(Outputs “H” when performing reception only)
RXD _i (P6_2, P6_6, P7_1)	Serial data input	Bits PD6_2 and PD6_6 in PD6 register = 0 PD7_1 bit in PD7 register = 0 (Can be used as an input port when performing transmission only)
CLK _i (P6_1, P6_5, P7_2)	I/O port	CKDIR bit in UiMR register = 0
	Transfer clock input	CKDIR bit in UiMR register = 1 Bits PD6_1 and PD6_5 in PD6 register = 0 PD7_2 bit in PD7 register = 0
CTS _i /RTS _i (P6_0, P6_4, P7_3)	CTS input	CRD bit in UiC0 register = 0 CRS bit in UiC0 register = 0 Bits PD6_0 and PD6_4 in PD6 register = 0 PD7_3 bit in PD7 register = 0
		RTS output
	I/O port	CRD bit = 1

i = 0 to 2

Table 15.8 P6_4 Pin Functions

Pin Function	Bit set Value				
	U1C0 Register		UCON Register		PD6 Register
	CRD bit	CRS bit	RCSP bit	CLKMD1 bit	PD6_4 bit
P6_4	1	-	0	0	Input: 0, Output: 1
CTS1	0	0	0	0	0
RTS1	0	1	0	0	-
CTS0 ⁽¹⁾	0	0	1	0	0

-: 0 or 1

NOTE:

- In addition to this, set the CRD bit in the U0C0 register to 0 ($\overline{\text{CTS0}}/\overline{\text{RTS0}}$ enabled) and the CRS bit in the U0C0 register to 1 ($\overline{\text{RTS0}}$ selected).

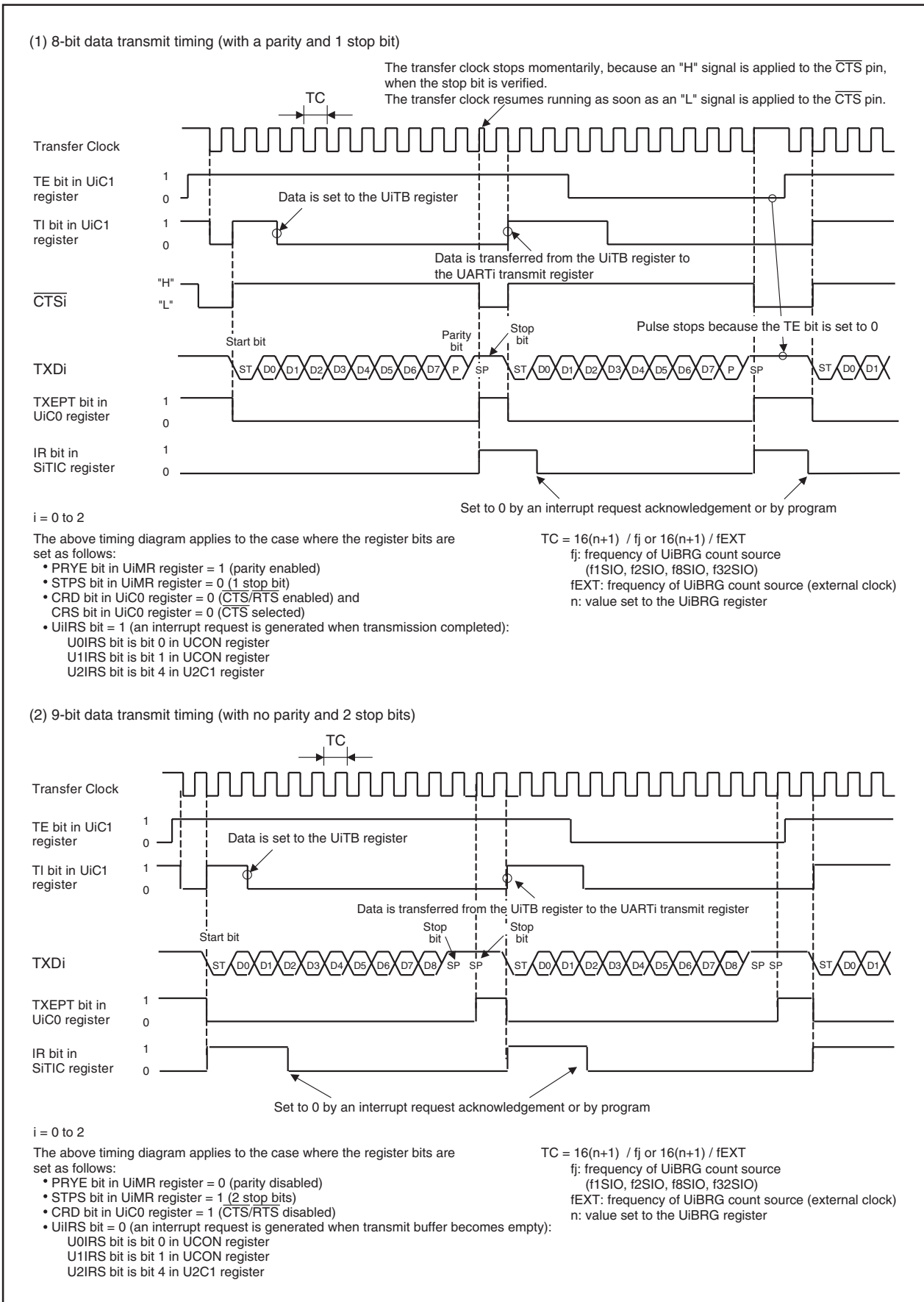


Figure 15.17 Transmit Operation

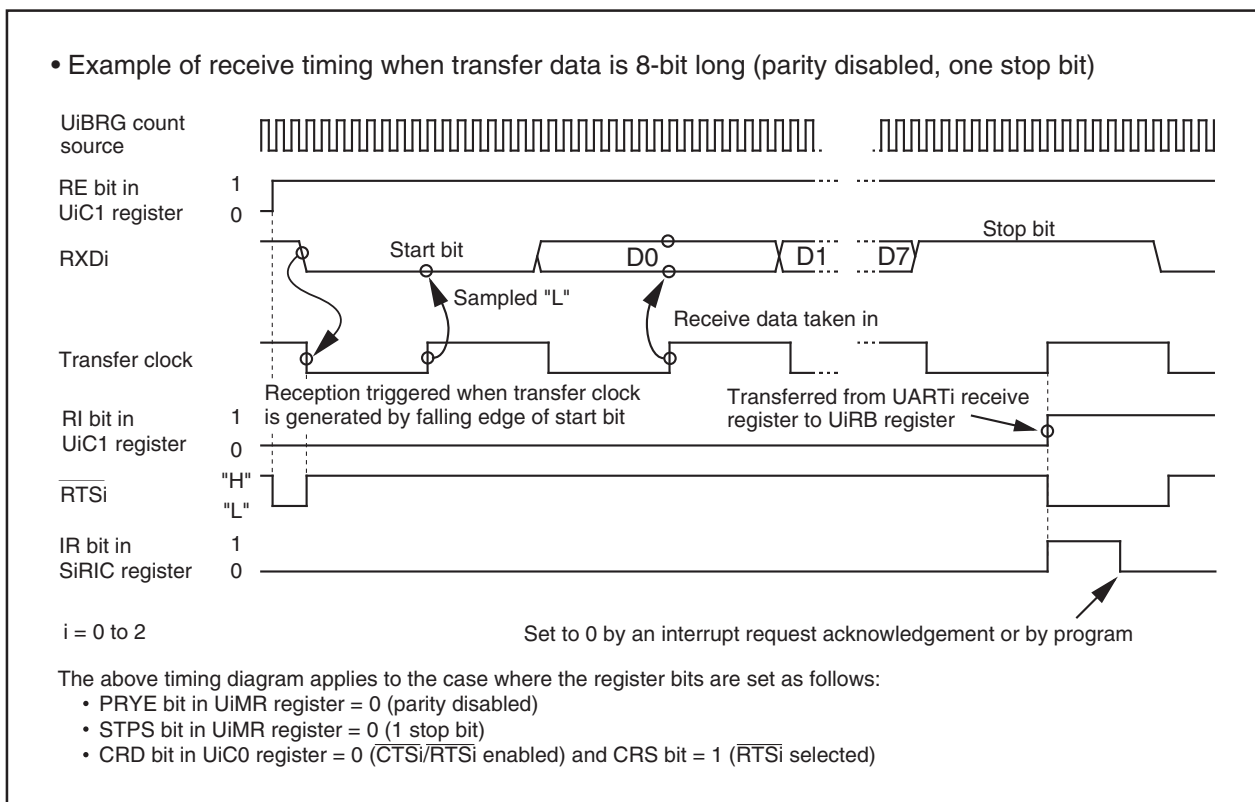


Figure 15.18 Receive Operation

15.1.2.1 Bit Rates

In UART mode, the frequency set by the UiBRG register ($i = 0$ to 2) divided by 16 become the bit rates. Table 15.9 lists an Example of Bit Rates and Settings.

Table 15.9 Example of Bit Rates and Settings

Bit Rate (bps)	Count Source of UiBRG	Peripheral Function Clock: 16 MHz		Peripheral Function Clock: 20 MHz		Peripheral Function Clock: 24 MHz ⁽¹⁾	
		Set Value of UiBRG: n	Bit Rate (bps)	Set Value of UiBRG: n	Bit Rate (bps)	Set Value of UiBRG: n	Bit Rate (bps)
1200	f8	103 (67h)	1202	129 (81h)	1202	155 (9Bh)	1202
2400	f8	51 (33h)	2404	64 (40h)	2404	77 (4Dh)	2404
4800	f8	25 (19h)	4808	32 (20h)	4735	38 (26h)	4808
9600	f1	103 (67h)	9615	129 (81h)	9615	155 (9Bh)	9615
14400	f1	68 (44h)	14493	86 (56h)	14368	103 (67h)	14423
19200	f1	51 (33h)	19231	64 (40h)	19231	77 (4Dh)	19231
28800	f1	34 (22h)	28571	42 (2Ah)	29070	51 (33h)	28846
31250	f1	31 (1Fh)	31250	39 (27h)	31250	47 (2Fh)	31250
38400	f1	25 (19h)	38462	32 (20h)	37879	38 (26h)	38462
51200	f1	19 (13h)	50000	23 (17h)	52083	28 (1Ch)	51724

$i = 0$ to 2

NOTE:

1. 24 MHz is available Normal-ver. only.

15.1.2.2 Counter Measure for Communication Error Occurs

If a communication error occurs while transmitting or receiving in UART mode, follow the procedures below.

- Resetting the UiRB register ($i = 0$ to 2)
 - (1) Set the RE bit in the UiC1 register to 0 (reception disabled)
 - (2) Set the RE bit in the UiC1 register to 1 (reception enabled)

- Resetting the UiTB register ($i = 0$ to 2)
 - (1) Set bits SMD2 to SMD0 in the UiMR register to 000b (serial interface disabled)
 - (2) Set bits SMD2 to SMD0 in the UiMR register to 001b, 101b, 110b
 - (3) 1 (transmission enabled) is written to the TE bit in the UiC1 register, regardless of the TE bit

15.1.2.3 LSB First/MSB First Select Function

As shown in Figure 15.19, use the UFORM bit in the UiC0 register to select the transfer format. Figure 15.19 shows the Transfer Format. This function is valid when transfer data is 8-bit long.

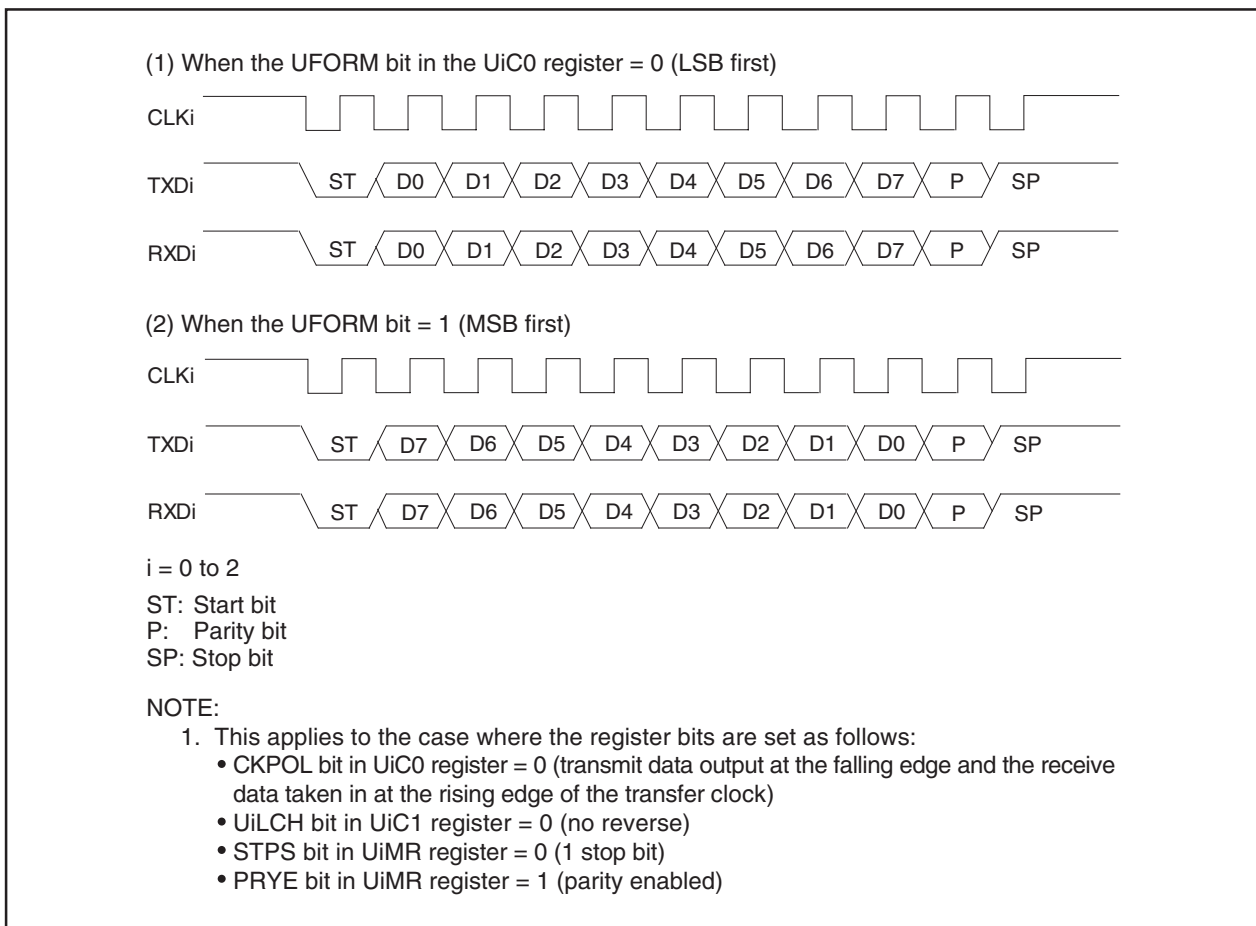


Figure 15.19 Transfer Format

15.1.2.4 Serial Data Logic Switching Function

The data written to the UiTB register has its logic reversed before being transmitted. Similarly, the received data has its logic reversed when read from the UiRB register.

Figure 15.20 shows the Serial Data Logic Switching.

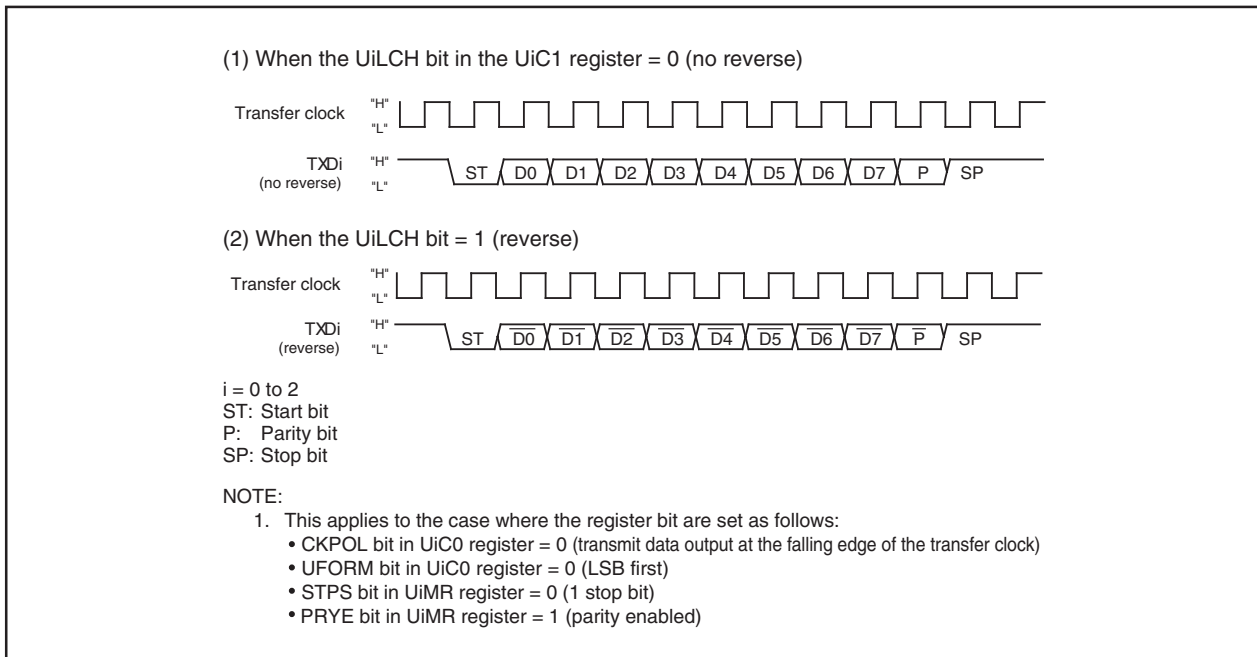


Figure 15.20 Serial Data Logic Switching

15.1.2.5 TXD and RXD I/O Polarity Inverse Function

This function inverses the polarities of the TXDi pin output and RXDi pin input. The logic levels of all input/output data (including the start, stop and parity bits) are inverted.

Figure 15.21 shows the TXD and RXD I/O Polarity Inverse.

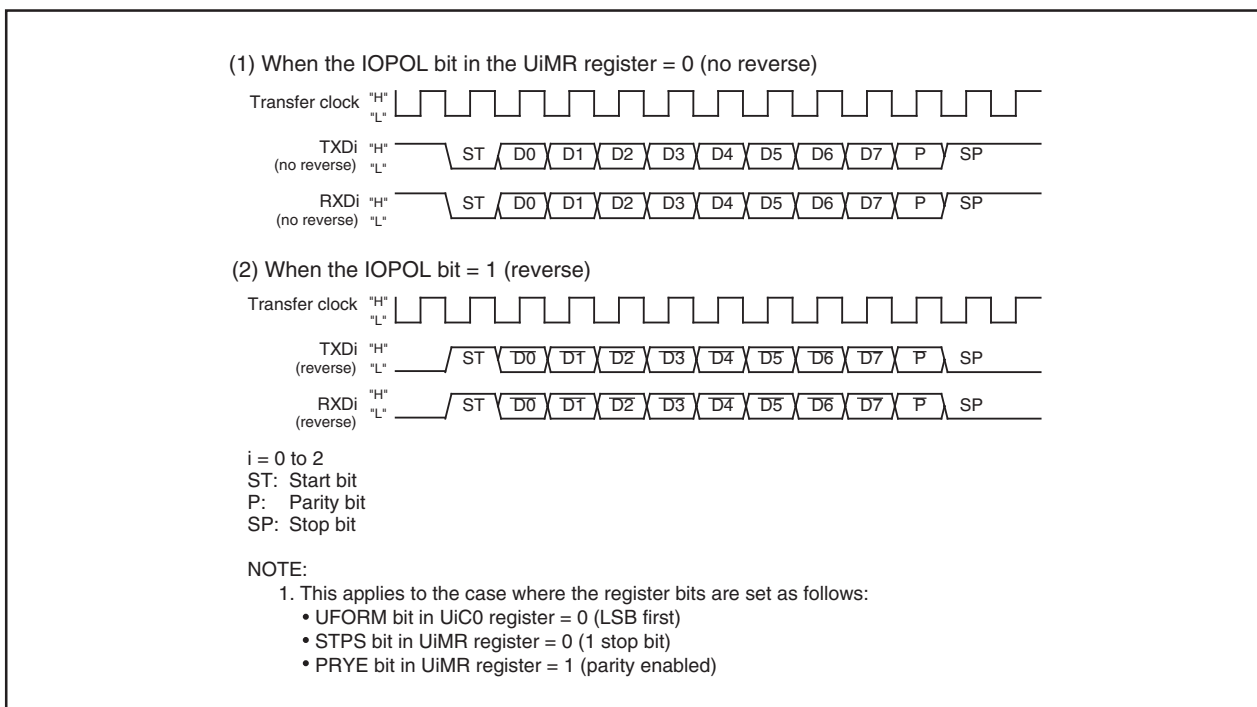


Figure 15.21 TXD and RXD I/O Polarity Inverse

15.1.2.6 $\overline{\text{CTS}}/\overline{\text{RTS}}$ Function

When the $\overline{\text{CTS}}$ function is used transmit operation start when “L” is applied to the $\overline{\text{CTS}}_i/\overline{\text{RTS}}_i$ ($i = 0$ to 2) pin. Transmit operation begins when the $\overline{\text{CTS}}_i/\overline{\text{RTS}}_i$ pin is held “L”. If the “L” signal is switched to “H” during a transmit operation, the operation stops before the next data.

When the $\overline{\text{RTS}}$ function is used, the $\overline{\text{CTS}}_i/\overline{\text{RTS}}_i$ pin outputs on “L” signal when the MCU is ready to receive. The output level becomes “H” on the first falling edge of the CLK_i pin.

- CRD bit in UiC0 register = 1 ($\overline{\text{CTS}}/\overline{\text{RTS}}$ function of UART0 disabled) $\overline{\text{CTS}}_i/\overline{\text{RTS}}_i$ pin is programmable I/O function
- CRD bit = 0, CRS bit in UiC0 register = 0 ($\overline{\text{CTS}}$ function is selected) $\overline{\text{CTS}}_i/\overline{\text{RTS}}_i$ pin is $\overline{\text{CTS}}$ function
- CRD bit = 0, CRS bit = 1 ($\overline{\text{RTS}}$ function is selected) $\overline{\text{CTS}}_i/\overline{\text{RTS}}_i$ pin is $\overline{\text{RTS}}$ function

15.1.2.7 $\overline{\text{CTS}}/\overline{\text{RTS}}$ Separate Function (UART0)

This function separates $\overline{\text{CTS}}_0/\overline{\text{RTS}}_0$, outputs $\overline{\text{RTS}}_0$ from the P6_0 pin, and accepts as input the $\overline{\text{CTS}}_0$ from the P6_4 pin. To use this function, set the register bits as shown below.

- CRD bit in U0C0 register = 0 ($\overline{\text{CTS}}/\overline{\text{RTS}}$ of UART0 enabled)
- CRS bit in U0C0 register = 1 (output $\overline{\text{RTS}}$ of UART0)
- CRD bit in U1C0 register = 0 ($\overline{\text{CTS}}/\overline{\text{RTS}}$ of UART1 enabled)
- CRS bit in U1C0 register = 0 (input $\overline{\text{CTS}}$ of UART1)
- RCSP bit in UCON register = 1 (input $\overline{\text{CTS}}_0$ from the P6_4 pin)
- CLKMD1 bit in UCON register = 0 (CLKS1 not used)

Note that when using the $\overline{\text{CTS}}/\overline{\text{RTS}}$ separate function, $\overline{\text{CTS}}/\overline{\text{RTS}}$ of UART1 separate function cannot be used.

Figure 15.22 shows $\overline{\text{CTS}}/\overline{\text{RTS}}$ separate function usage.

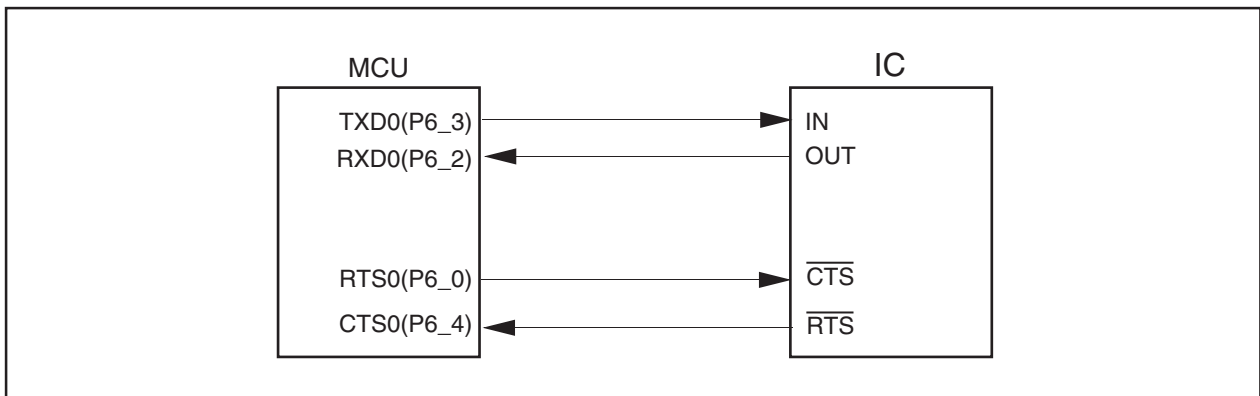


Figure 15.22 $\overline{\text{CTS}}/\overline{\text{RTS}}$ Separate Function

15.1.3 Special Mode 1 (I²C Mode)

I²C mode is provided for use as a simplified I²C interface compatible mode. Table 15.10 lists the I²C Mode Specifications. Figure 15.23 shows the I²C Mode Block Diagram. Table 15.11 lists the Registers to be Used and Setting in I²C Mode. Table 15.12 lists the I²C Mode Functions. Figure 15.24 shows the Transfer to UiRB Register and Interrupt Timing.

As shown in Table 15.12, the MCU is placed in I²C mode by setting bits SMD2 to SMD0 to 010b and the IICM bit to 1. Because SDAi transmit output has a delay circuit attached, SDAi output does not change state until SCLi goes low and remains stably low.

Table 15.10 I²C Mode Specifications

Item	Specification
Transfer data format	Transfer data length: 8 bits
Transfer clock	<ul style="list-style-type: none"> • During master The CKDIR bit in the UiMR register = 0 (internal clock) : $f_j/(2(n+1))$ $f_j = f1SIO, f2SIO, f8SIO, f32SIO$. n: Setting value of the UiBRG register 00h to FFh • During slave The CKDIR bit = 1 (external clock) : Input from SCLi pin
Transmit start condition	Before transmission can start, meet the following requirements ⁽¹⁾ <ul style="list-style-type: none"> • The TE bit in the UiC1 register = 1 (transmission enabled) • The TI bit in the UiC1 register = 0 (data present in the UiTB register)
Receive start condition	Before reception can start, meet the following requirements ⁽¹⁾ <ul style="list-style-type: none"> • The RE bit in the UiC1 register = 1 (reception enabled) • The TE bit in the UiC1 register = 1 (transmission enabled) • The TI bit in the UiC1 register = 0 (data present in the UiTB register)
Interrupt request generation timing	When start or stop condition is detected, acknowledge undetected, and acknowledge detected
Error detection	Overrun error ⁽²⁾ This error occurs if the serial I/O started receiving the next data before reading the UiRB register and received the 8th bit of the next data
Select function	<ul style="list-style-type: none"> • Arbitration lost Timing at which the ABT bit in the UiRB register is updated can be selected • SDAi digital delay No digital delay or a delay of 2 to 8 UiBRG count source clock cycles selectable • Clock phase setting With or without clock delay selectable

i = 0 to 2

NOTES:

1. When an external clock is selected, the conditions must be met while the external clock is in the high state.
2. If an overrun error occurs, the value of UiRB register will be undefined. The IR bit in the SiRIC register remains unchanged.

Table 15.11 Registers to Be Used and Settings in I²C Mode

Register	Bit	Function	
		Master	Slave
UiTB (1)	0 to 7	Set transmit data	
UiRB (1)	0 to 7	Receive data can be read	
	8	ACK or NACK is set in this bit	
	ABT	Arbitration lost detection flag	Invalid
	OER	Overrun error flag	
UiBRG	0 to 7	Set a bit rate	Invalid
UiMR (1)	SMD2 to SMD0	Set to 010b	
	CKDIR	Set to 0	Set to 1
	IOPOL	Set to 0	
UiC0	CLK1 to CLK0	Select the count source for the UiBRG register	Invalid
	CRS	Invalid because the CRD bit = 1	
	TXEPT	Transmit register empty flag	
	CRD (3)	Set to 1	
	NCH	Set to 1	
	CKPOL	Set to 0	
	UFORM	Set to 1	
UiC1	TE	Set this bit to 1 to enable transmission	
	TI	Transmit buffer empty flag	
	RE	Set this bit to 1 to enable reception	
	RI	Reception complete flag	
	U2IRS (2)	Invalid	
	U2RRM (2), UiLCH, UiERE	Set to 0	
UiSMR	IICM	Set to 1	
	ABC	Select the timing at which arbitration-lost is detected	Invalid
	BBS	Bus busy flag	
	3 to 7	Set to 0	
UiSMR2	IICM2	See Table 15.12 I²C Mode Functions	
	CSC	Set this bit to 1 to enable clock synchronization	Set to 0
	SWC	Set this bit to 1 to have SCLi output fixed to "L" at the falling edge of the 9th bit of clock	
	ALS	Set this bit to 1 to have SDAi output stopped when arbitration-lost is detected	Set to 0
	STAC	Set to 0	Set this bit to 1 to initialize UARTi at start condition detection
	SWC2	Set this bit to 1 to have SCLi output forcibly pulled low	
	SDHI	Set this bit to 1 to disable SDAi output	
	7	Set to 0	
UiSMR3	0, 2, 4, and NODC	Set to 0	
	CKPH	See Table 15.12 I²C Mode Functions	
	DL2 to DL0	Set the amount of SDAi digital delay	
UiSMR4	STAREQ	Set this bit to 1 to generate start condition	Set to 0
	RSTAREQ	Set this bit to 1 to generate restart condition	Set to 0
	STPREQ	Set this bit to 1 to generate stop condition	Set to 0
	STSPSEL	Set this bit to 1 to output each condition	Set to 0
	ACKD	Select ACK or NACK	
	ACKC	Set this bit to 1 to output ACK data	
	SCLHI	Set this bit to 1 to have SCLi output stopped when stop condition is detected	Set to 0
	SWC9	Set to 0	Set this bit to 1 to set the SCLi to "L" hold at the falling edge of the 9th bit of clock
IFSR0	IFSR06, ISFR07	Set to 1	
UCON	U0IRS, U1IRS	Invalid	
	2 to 7	Set to 0	

i = 0 to 2

NOTES:

- Not all register bits are described above. Set those bits to 0 when writing to the registers in I²C mode.
- Set bits 4 and 5 in registers U0C1 and U1C1 to 0. Bits U0IRS, U1IRS, U0RRM, and U1RRM are in the UCON register.
- When using UART1 in I²C mode and enabling the $\overline{\text{CTS}}/\text{RTS}$ separate function of UART0, set the CRD bit in the U1C0 register to 0 ($\overline{\text{CTS}}/\text{RTS}$ function enabled) and the CRS bit to 0 (CTS input).

Table 15.12 I²C Mode Functions

Function	Clock Synchronous Serial I/O Mode (SMD2 to SMD0 = 001b, IICM = 0)	I ² C Mode (SMD2 to SMD0 = 010b, IICM = 1)			
		IICM2 = 0 (NACK/ACK interrupt)		IICM2 = 1 (UART transmit/receive interrupt)	
		CKPH = 0 (No clock delay)	CKPH = 1 (Clock delay)	CKPH = 0 (No clock delay)	CKPH = 1 (Clock delay)
Source of interrupt number 6, 7, and 10 ^{(1) (5) (7)}	-	Start condition detection or stop condition detection (See Table 15.13 STSPSEL Bit Functions)			
Source of interrupt number 15, 17, and 19 ^{(1) (6)}	UARTi transmission Transmission started or completed (selected by UiIRS)	No acknowledgment detection (NACK) Rising edge of SCLi 9th bit		UARTi transmission Rising edge of SCLi 9th bit	UARTi transmission Falling edge of SCLi next to the 9th bit
Source of interrupt number 16, 18, and 20 ^{(1) (6)}	UARTi reception When 8th bit received CKPOL = 0 (rising edge) CKPOL = 1 (falling edge)	Acknowledgment detection (ACK) Rising edge of SCLi 9th bit		UARTi reception Falling edge of SCLi 9th bit	
Timing for transferring data from UART reception shift register to UiRB register	CKPOL = 0 (rising edge) CKPOL = 1 (falling edge)	Rising edge of SCLi 9th bit		Falling edge of SCLi 9th bit	Falling and rising edges of SCLi 9th bit
UARTi transmission output delay	Not delayed	Delayed			
Functions of pins P6_3, P6_7, and P7_0	TXDi output	SDAi input/output			
Functions of pins P6_2, P6_6, and P7_1	RXDi input	SCLi input/output			
Functions of pins P6_1, P6_5, and P7_2	CLKi input or output selected	- (Cannot be used in I ² C mode)			
Noise filter width	15 ns	200 ns			
Read RXDi and SCLi pins levels	Possible when the corresponding port direction bit = 0	Always possible no matter how the corresponding port direction bit is set			
Initial value of TXDi and SDAi outputs	CKPOL = 0 (H) CKPOL = 1 (L)	The value set in the port register before setting I ² C mode ⁽²⁾			
Initial and end value of SCLi	-	H	L	H	L
DMA1 source ⁽⁶⁾	UARTi reception	Acknowledgment detection (ACK)		UARTi reception Falling edge of SCLi 9th bit	
Store received data	1st to 8th bits of the received data are stored into bits 7 to 0 in the UiRB register			1st to 7th bits of the received data are stored into bits 6 to 0 in the UiRB register, 8th bit is stored into bit 8 in the UiRB register	1st to 8th bits are stored into bit 7 to bit 0 in UiRB register ⁽³⁾
Read received data	The UiRB register status is read			Bit 6 to bit 0 in the UiRB register ⁽⁴⁾ are read as bit 7 to bit 1. Bit 8 in the UiRB register is read as bit 0.	

i = 0 to 2

NOTES:

- If the interrupt source is changed, the IR bit in the interrupt control register for the changed interrupt may inadvertently be set to 1 (interrupt requested). (Refer to **23.6 Interrupts**.)
If one of the bits shown below is changed, the interrupt source, the interrupt timing, etc. change. Therefore, always be sure to set the IR bit to 0 (interrupt not requested) after changing those bits.
 - Bits SMD2 to SMD0 in UiMR register
 - IICM2 bit in UiSMR2 register
 - IICM bit in UiSMR register
 - CKPH bit in UiSMR3 register
- Set the initial value of SDAi output while bits SMD2 to SMD0 in the UiMR register = 000b (serial interface disabled).
- Second data transfer to the UiRB register (rising edge of SCLi 9th bit)
- First data transfer to the UiRB register (falling edge of SCLi 9th bit)
- See **Figure 15.26 STSPSEL Bit Functions**.
- See **Figure 15.24 Transfer to UiRB Register and Interrupt Timing**.
- When using UART0, be sure to set the IFSR06 bit in the IFSR0 register to 1 (interrupt source: UART0 bus collision detection).
When using UART1, be sure to set the IFSR07 bit in the IFSR0 register to 1 (interrupt source: UART1 bus collision detection).

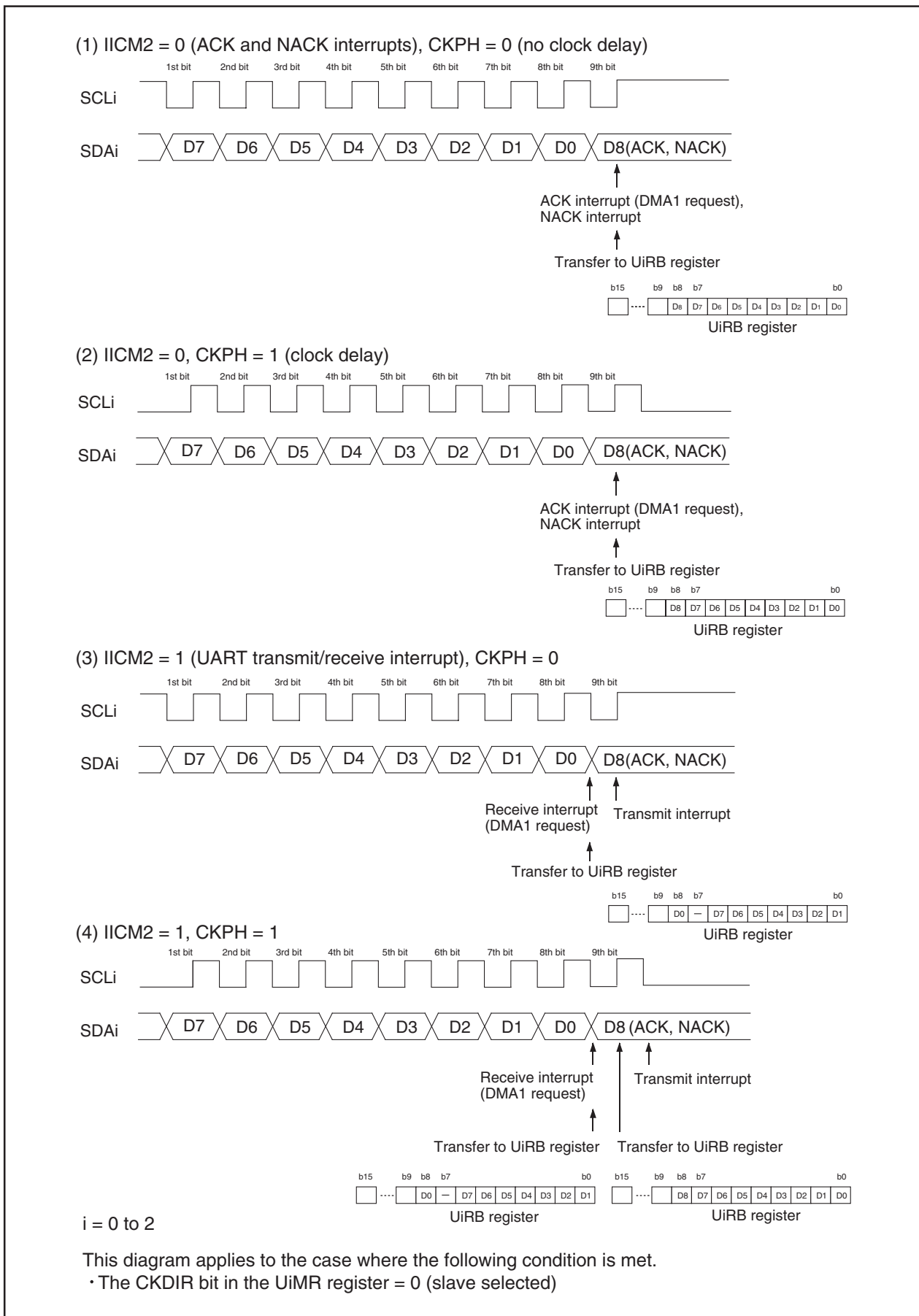


Figure 15.24 Transfer to UiRB Register and Interrupt Timing

15.1.3.1 Detection of Start and Stop Condition

Whether a start or a stop condition has been detected is determined.

A start condition-detected interrupt request is generated when the SDAi pin changes state from high to low while the SCLi pin is in the high state. A stop condition-detected interrupt request is generated when the SDAi pin changes state from low to high while the SCLi pin is in the high state.

Figure 15.25 shows the Detection of Start and Stop Condition.

Because the start and stop condition-detected interrupts share the interrupt control register and vector, check the BBS bit in the UiSMR register to determine which interrupt source is requesting the interrupt.

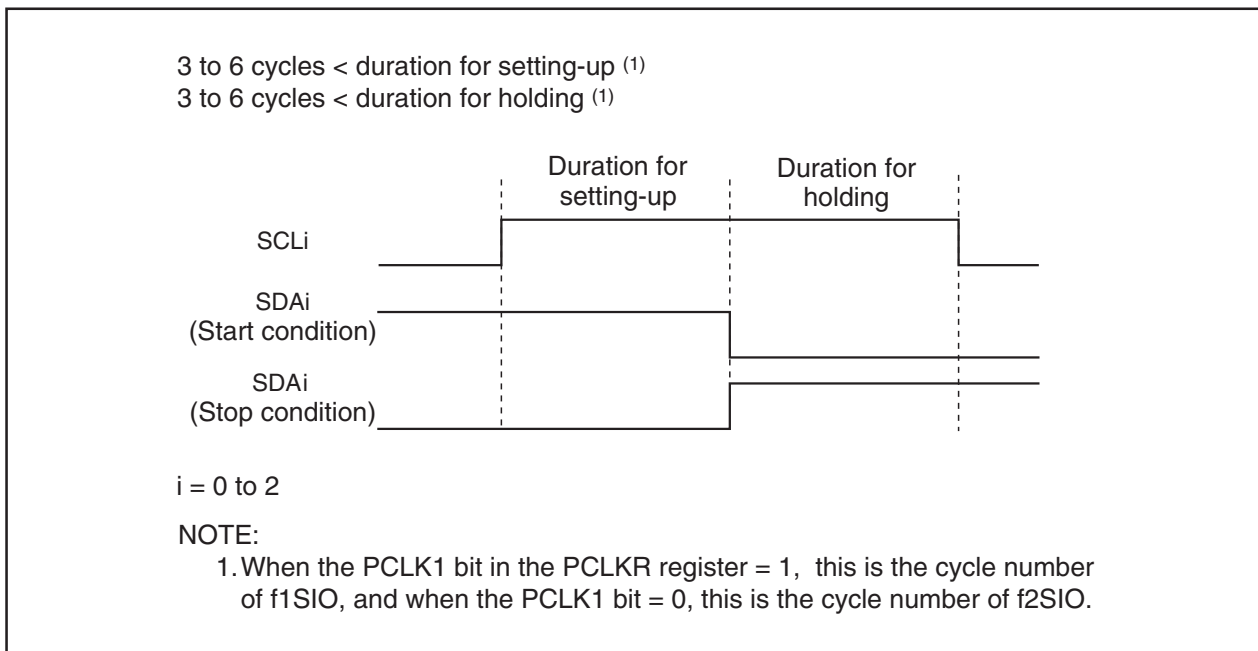


Figure 15.25 Detection of Start and Stop Condition

15.1.3.2 Output of Start and Stop Condition

A start condition is generated by setting the STAREQ bit in the UiSMR4 register ($i = 0$ to 2) to 1 (start).

A restart condition is generated by setting the RSTAREQ bit in the UiSMR4 register to 1 (start).

A stop condition is generated by setting the STPREQ bit in the UiSMR4 register to 1 (start).

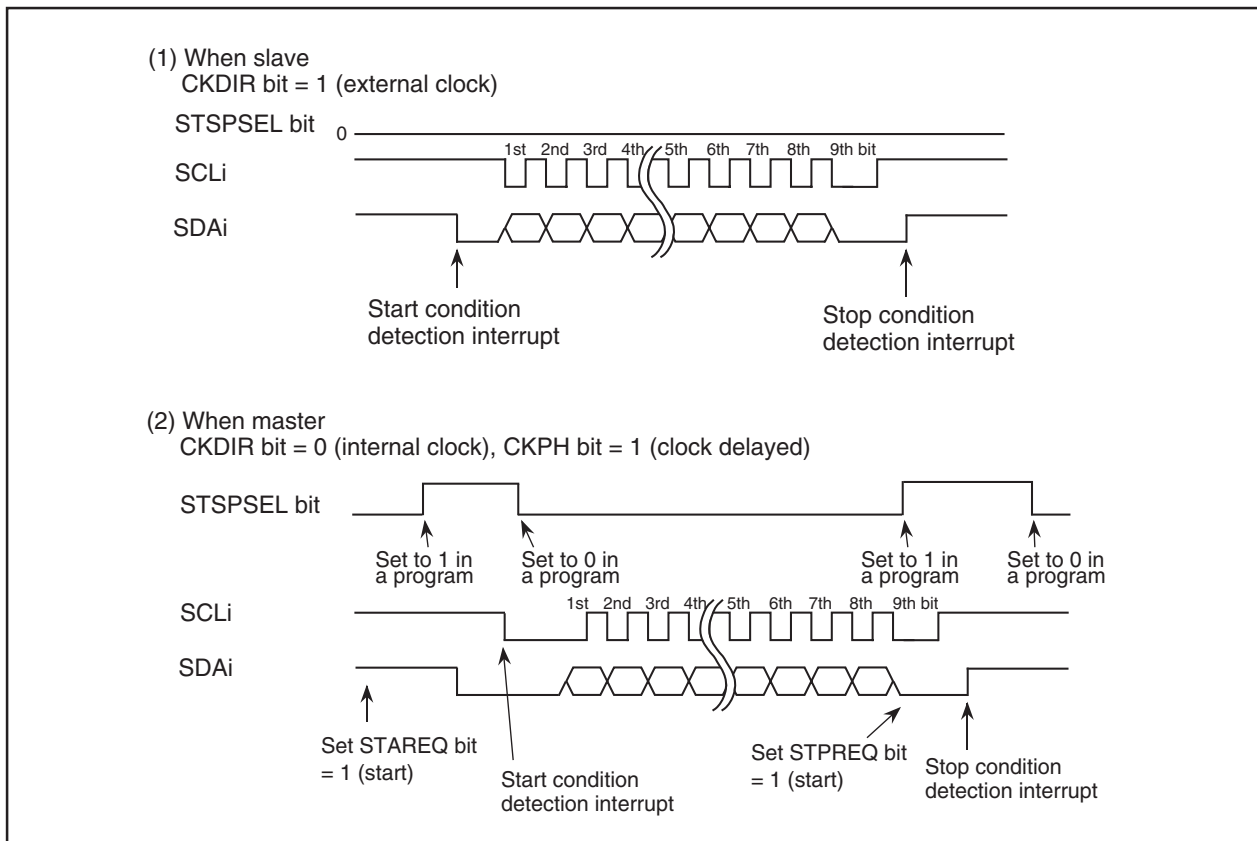
The output procedure is described below.

- (1) Set the STAREQ bit, RSTAREQ bit or STPREQ bit to 1 (start).
- (2) Set the STSPSEL bit in the UiSMR4 register to 1 (output).

Table 15.13 and Figure 15.26 show the STSPSEL Bit Functions.

Table 15.13 STSPSEL Bit Functions

Function	STSPSEL Bit = 0	STSPSEL Bit = 1
Output of pins SCLi and SDAi	Output of transfer clock and data Output of start/stop condition is accomplished by a program using ports (not automatically generated in hardware)	Output of a start/stop condition depending on bits STAREQ, RSTAREQ, and STPREQ
Start/stop condition interrupt request generation timing	Start/stop condition detection	Finish generating start/stop condition

**Figure 15.26 STSPSEL Bit Functions**

15.1.3.3 Arbitration

Unmatching of the transmit data and SDAi pin input data is checked synchronously with the rising edge of SCLi. Use the ABC bit in the UiSMR register to select the timing at which the ABT bit in the UiRB register is updated. If the ABC bit = 0 (updated per bit), the ABT bit is set to 1 at the same time unmatching is detected during check, and is set to 0 when not detected. In cases when the ABC bit is set to 1, if unmatching is detected even once during check, the ABT bit is set to 1 (unmatching detected) at the falling edge of the clock pulse of 9th bit. If the ABT bit needs to be updated per byte, set the ABT bit to 0 (undetected) after detecting acknowledge in the first byte, before transferring the next byte.

Setting the ALS bit in the UiSMR2 register to 1 (SDA output stop enabled) causes arbitration-lost to occur, in which case the SDAi pin is placed in the high-impedance state at the same time the ABT bit is set to 1 (unmatching detected).

15.1.3.4 Transfer Clock

Data is transmitted/received using a transfer clock like the one shown in Figure 15.24 Transfer to UiRB Register and Interrupt Timing.

The CSC bit in the UiSMR2 register is used to synchronize the internally generated clock (internal SCLi) and an external clock supplied to the SCLi pin. In cases when the CSC bit is set to 1 (clock synchronization enabled), if a falling edge on the SCLi pin is detected while the internal SCLi is high, the internal SCLi goes low, at which time the value of the UiBRG register is reloaded with and starts counting in the low-level interval. If the internal SCLi changes state from low to high while the SCLi pin is low, counting stops, and when the SCLi pin goes high, counting restarts.

In this way, the UARTi transfer clock is comprised of the logical product of the internal SCLi and SCLi pin signal. The transfer clock works from a half period before the falling edge of the internal SCLi 1st bit to the rising edge of the 9th bit. To use this function, select an internal clock for the transfer clock.

The SWC bit in the UiSMR2 register allows to select whether the SCLi pin should be fixed to or freed from low-level output at the falling edge of the 9th clock pulse.

If the SCLHI bit in the UiSMR4 register is set to 1 (enabled), SCLi output is turned off (placed in the high-impedance state) when a stop condition is detected.

Setting the SWC2 bit in the UiSMR2 register = 1 (0 output) makes it possible to forcibly output a low-level signal from the SCLi pin even while sending or receiving data. Setting the SWC2 bit to 0 (transfer clock) allows the transfer clock to be output from or supplied to the SCLi pin, instead of outputting a low-level signal. If the SWC9 bit in the UiSMR4 register is set to 1 (SCL hold low enabled) when the CKPH bit in the UiSMR3 register = 1, the SCLi pin is fixed to low-level output at the falling edge of the clock pulse next to the 9th. Setting the SWC9 bit = 0 (SCL hold low disabled) frees the SCLi pin from low-level output.

15.1.3.5 SDA Output

The data written to bits 7 to 0 (D7 to D0) in the UiTB register is sequentially output beginning with D7. The 9th bit (D8) is ACK or NACK.

The initial value of SDAi transmit output can only be set when IICM = 1 (I²C mode) and bits SMD2 to SMD0 in the UiMR register = 000b (serial interface disabled).

Bits DL2 to DL0 in the UiSMR3 register allow to add no delays or a delay of 2 to 8 UiBRG count source clock cycles to SDAi output.

Setting the SDHI bit in the UiSMR2 register = 1 (SDA output disabled) forcibly places the SDAi pin in the high-impedance state. Do not write to the SDHI bit synchronously with the rising edge of the UARTi transfer clock. This is because the ABT bit may inadvertently be set to 1 (detected).

15.1.3.6 SDA Input

When the IICM2 bit = 0, 1st to 8th bits (D7 to D0) of receive data are stored in bits 7 to 0 in the UiRB register. The 9th bit (D8) is ACK or NACK.

When the IICM2 bit = 1, the 1st to 7th bits (D7 to D1) of receive data are stored in bits 6 to 0 in the UiRB register and the 8th bit (D0) is stored in the bit 8 in the UiRB register. Even when the IICM2 bit = 1, providing the CKPH bit = 1, the same data as when the IICM2 bit = 0 can be read out by reading the UiRB register after the rising edge of the corresponding clock pulse of 9th bit.

15.1.3.7 ACK and NACK

If the STSPSEL bit in the UiSMR4 register is set to 0 (start and stop conditions not generated) and the ACKC bit in the UiSMR4 register is set to 1 (ACK data output), the value of the ACKD bit in the UiSMR4 register is output from the SDAi pin.

If the IICM2 bit = 0, a NACK interrupt request is generated if the SDAi pin remains high at the rising edge of the 9th bit of transmit clock pulse. An ACK interrupt request is generated if the SDAi pin is low at the rising edge of the 9th bit of transmit clock pulse.

If ACKi is selected for the DMA1 request source, a DMA transfer can be activated by detection of an acknowledge.

15.1.3.8 Initialization of Transmission/Reception

If a start condition is detected while the STAC bit = 1 (UARTi initialization enabled), the serial interface operates as described below.

- The transmit shift register is initialized, and the content of the UiTB register is transferred to the transmit shift register. In this way, the serial interface starts transmitting data synchronously with the next clock pulse applied. However, the UARTi output value does not change state and remains the same as when a start condition was detected until the first bit of data is output synchronously with the input clock.
- The receive shift register is initialized, and the serial interface starts receiving data synchronously with the next clock pulse applied.
- The SWC bit is set to 1 (SCL wait output enabled). Consequently, the SCLi pin is pulled low at the falling edge of the 9th clock pulse.

Note that when UARTi transmission/reception is started using this function, the TI bit does not change state. Note also that when using this function, the selected transfer clock should be an external clock.

15.1.4 Special Mode 2

Multiple slaves can be serially communicated from one master. Transfer clock polarity and phase are selectable. Table 15.14 lists the Special Mode 2 Specifications. Figure 15.27 shows the Serial Bus Communication Control Example (UART2). Table 15.15 lists the Registers to be Used an Settings in Special Mode 2.

Table 15.14 Special Mode 2 Specifications

Item	Specification
Transfer data format	Transfer data length: 8 bits
Transfer clock	<ul style="list-style-type: none"> • Master mode The CKDIR bit in the UiMR register = 0 (internal clock) : $f_j/(2(n+1))$ $f_j = f1SIO, f2SIO, f8SIO, f32SIO$. n: Setting value of the UiBRG register 00h to FFh • Slave mode The CKDIR bit = 1 (external clock selected) : Input from CLKi pin
Transmit/receive control	Controlled by input/output ports
Transmit start condition	Before transmission can start, meet the following requirements ⁽¹⁾ <ul style="list-style-type: none"> • The TE bit in the UiC1 register = 1 (transmission enabled) • The TI bit in the UiC1 register = 0 (data present in the UiTB register)
Receive start condition	Before reception can start, meet the following requirements ⁽¹⁾ <ul style="list-style-type: none"> • The RE bit in the UiC1 register = 1 (reception enabled) • The TE bit in the UiC1 register = 1 (transmission enabled) • The TI bit in the UiC1 register = 0 (data present in the UiTB register)
Interrupt request generation timing	For transmission, one of the following conditions can be selected <ul style="list-style-type: none"> • The UiIRS bit ⁽²⁾ = 0 (transmit buffer empty): when transferring data from the UiTB register to the UARTi transmit register (at start of transmission) • The UiIRS bit =1 (transmission completed): when the serial interface finished transmitting data from the UARTi transmit register For reception <ul style="list-style-type: none"> • When transferring data from the UARTi receive register to the UiRB register (at completion of reception)
Error detection	Overrun error ⁽³⁾ This error occurs if the serial interface started receiving the next data before reading the UiRB register and received the 7th bit of the next data
Select function	Clock phase setting Selectable from four combinations of transfer clock polarities and phases

i = 0 to 2

NOTES:

1. When an external clock is selected, the conditions must be met while if the CKPOL bit in the UiC0 register = 0 (transmit data output at the falling edge and the receive data taken in at the rising edge of the transfer clock), the external clock is in the high state; if the CKPOL bit = 1 (transmit data output at the rising edge and the receive data taken in at the falling edge of the transfer clock), the external clock is in the low state.
2. Bits U0IRS and U1IRS are bits 0 and 1 in the UCON register ; the U2IRS bit is bit 4 in the U2C1 register.
3. If an overrun error occurs, the value of UiRB register will be undefined. The IR bit in SiRIC register remains unchanged.

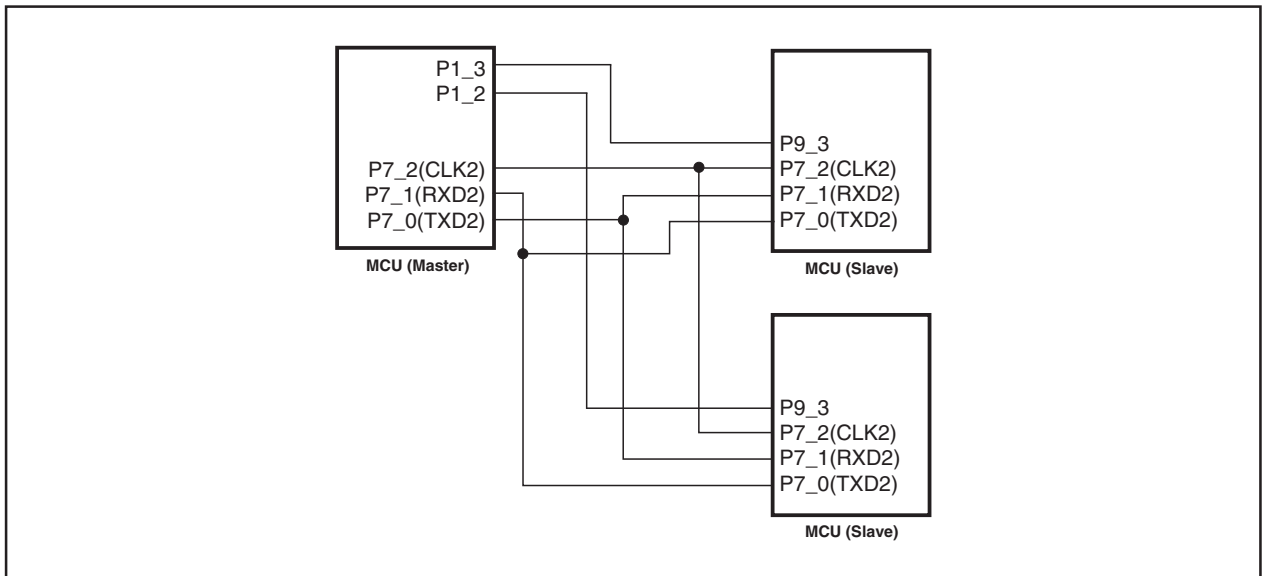


Figure 15.27 Serial Bus Communication Control Example (UART2)

Table 15.15 Registers to Be Used and Settings in Special Mode 2

Register	Bit	Function
UiTB ⁽¹⁾	0 to 7	Set transmit data
UiRB ⁽¹⁾	0 to 7	Receive data can be read
	OER	Overrun error flag
UiBRG	0 to 7	Set a bit rate
UiMR ⁽¹⁾	SMD2 to SMD0	Set to 001b
	CKDIR	Set this bit to 0 for master mode or 1 for slave mode
	IOPOL	Set to 0
UiC0	CLK1 to CLK0	Select the count source for the UiBRG register
	CRS	Invalid because the CRD bit = 1
	TXEPT	Transmit register empty flag
	CRD	Set to 1
	NCH	Select TXDi pin output format
	CKPOL	Clock phases can be set in combination with the CKPH bit in the UiSMR3 register
	UFORM	Set to 0
UiC1	TE	Set this bit to 1 to enable transmission
	TI	Transmit buffer empty flag
	RE	Set this bit to 1 to enable reception
	RI	Reception complete flag
	U2IRS ⁽²⁾	Select the UART2 transmit interrupt source
	U2RRM ⁽²⁾ , UiLCH, UiERE	Set to 0
UiSMR	0 to 7	Set to 0
UiSMR2	0 to 7	Set to 0
UiSMR3	CKPH	Clock phases can be set in combination with the CKPOL bit in the UiC0 register
	NODC	Set to 0
	0, 2, 4 to 7	Set to 0
UiSMR4	0 to 7	Set to 0
UCON	U0IRS, U1IRS	Select the UART0 and UART1 transmit interrupt source
	U0RRM, U1RRM	Set to 0
	CLKMD0	Invalid because the CLKMD1 bit = 0
	CLKMD1, RCSP, 7	Set to 0

i = 0 to 2

NOTES:

1. Not all register bits are described above. Set those bits to 0 when writing to the registers in Special Mode 2.
2. Set bits 4 and 5 in registers U0C1 and U1C1 to 0. Bits U0IRS, U1IRS, U0RRM, and U1RRM are in the UCON register.

15.1.4.1 Clock Phase Setting Function

One of four combinations of transfer clock phases and polarities can be selected using the CKPH bit in the UiSMR3 register and the CKPOL bit in the UiC0 register.

Make sure the transfer clock polarity and phase are the same for the master and slaves to be communicated.

Figure 15.28 shows the Transmission and Reception Timing in Master Mode (internal clock).

Figure 15.29 shows the Transmission and Reception Timing (CKPH = 0) in Slave Mode (external clock).

Figure 15.30 shows the Transmission and Reception Timing (CKPH = 1) in Slave Mode (external clock).

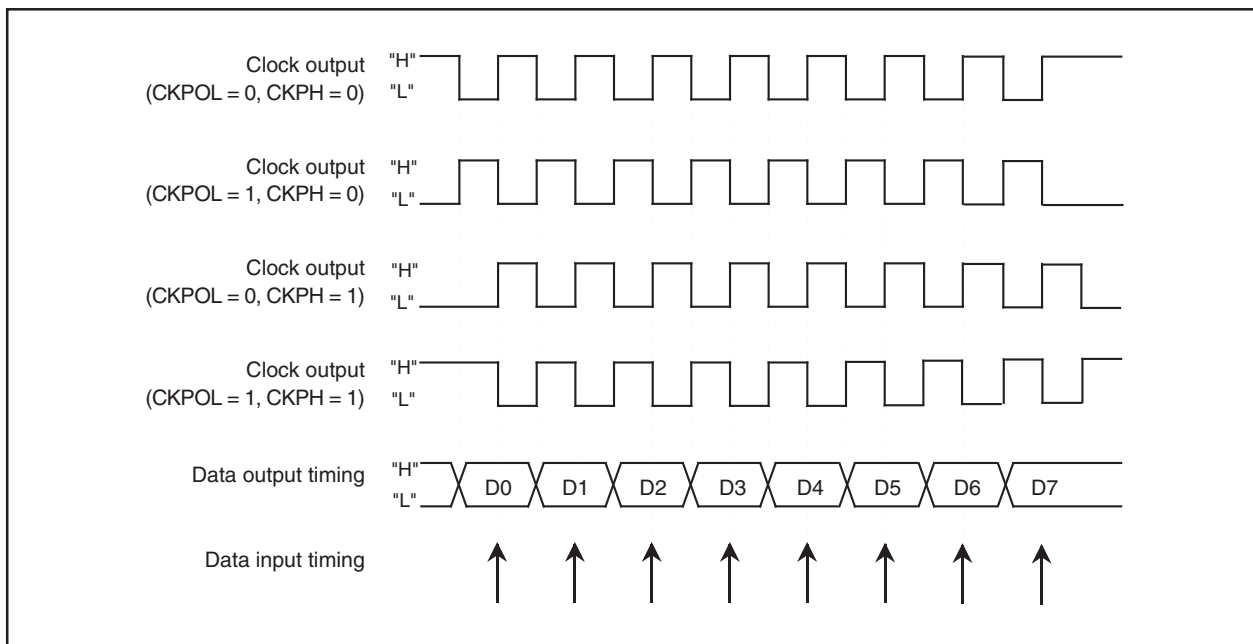


Figure 15.28 Transmission and Reception Timing in Master Mode (Internal Clock)

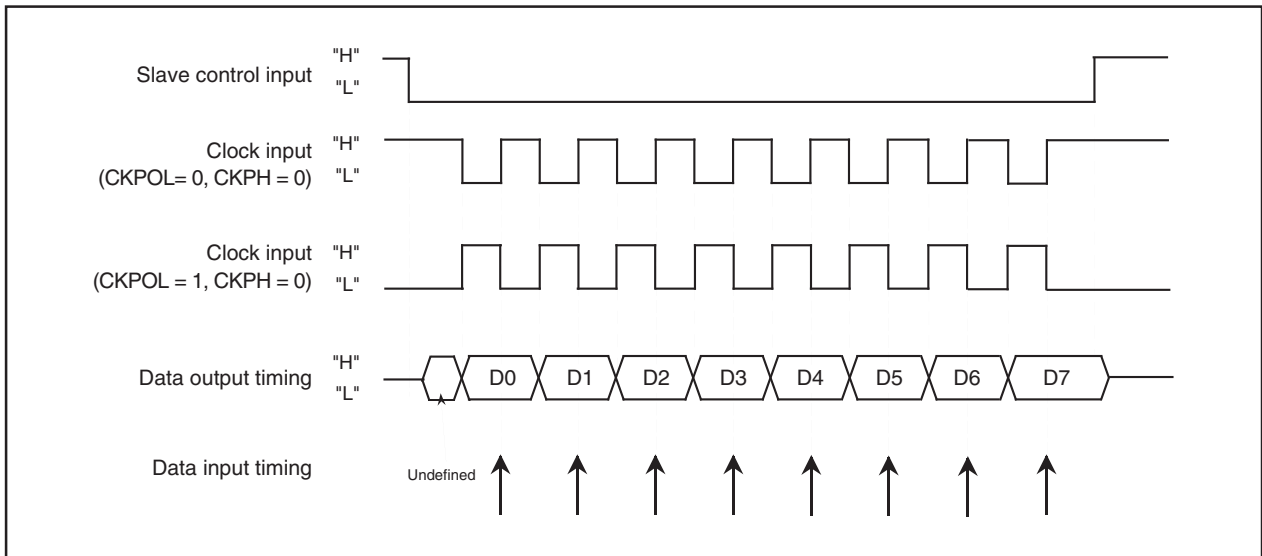


Figure 15.29 Transmission and Reception Timing (CKPH = 0) in Slave Mode (External Clock)

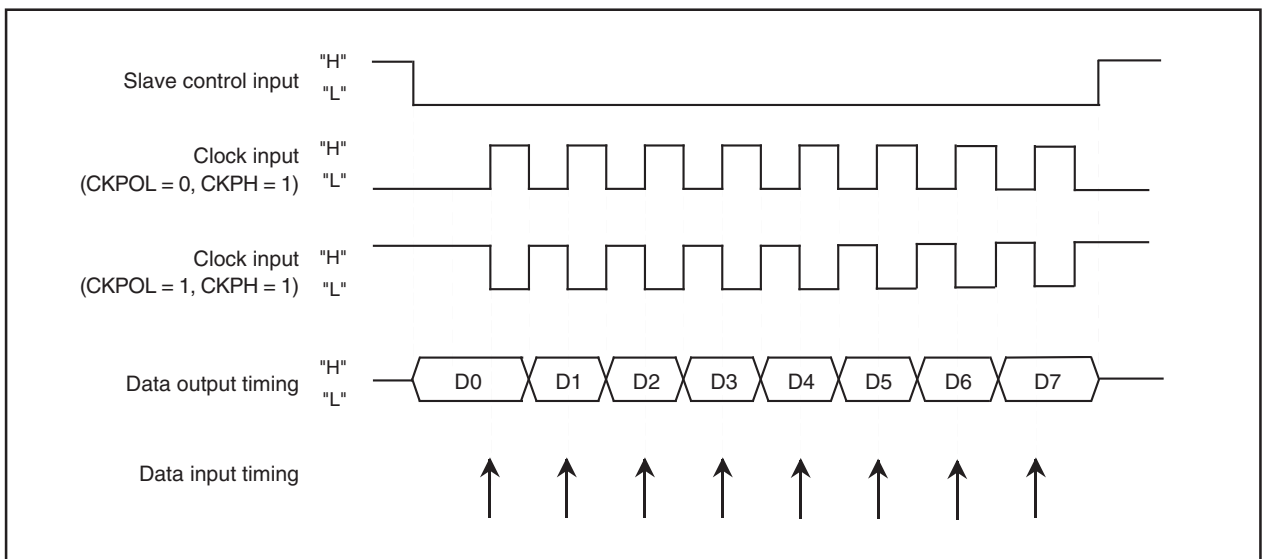


Figure 15.30 Transmission and Reception Timing (CKPH = 1) in Slave Mode (External Clock)

15.1.5 Special Mode 3 (IE Mode)

In this mode, one bit of IEBus is approximated with one byte of UART mode waveform.

Table 15.16 lists the Registers to be Used and Settings in IE mode. Figure 15.31 shows the Bus Collision Detect Function-Related Bits.

If the TXDi pin (i = 0 to 2) output level and RXDi pin input level do not match, a UARTi bus collision detect interrupt request is generated.

Use bits IFSR06 and IFSR07 in the IFSR0 register to enable the UART0/UART1 bus collision detect function.

Table 15.16 Registers to Be Used and Settings in IE Mode

Register	Bit	Function
UiTB	0 to 8	Set transmit data
UiRB ⁽¹⁾	0 to 8	Receive data can be read
	OER,FER,PER,SUM	Error flag
UiBRG	0 to 7	Set a bit rate
UiMR	SMD2 to SMD0	Set to 110b
	CKDIR	Select the internal clock or external clock
	STPS	Set to 0
	PRY	Invalid because the PRYE bit = 0
	PRYE	Set to 0
	IOPOL	Select the TXD/RXD input/output polarity
UiC0	CLK1 to CLK0	Select the count source for the UiBRG register
	CRS	Invalid because the CRD bit = 1
	TXEPT	Transmit register empty flag
	CRD	Set to 1
	NCH	Select TXDi pin output mode
	CKPOL	Set to 0
	UFORM	Set to 0
UiC1	TE	Set this bit to 1 to enable transmission
	TI	Transmit buffer empty flag
	RE	Set this bit to 1 to enable reception
	RI	Reception complete flag
	U2IRS ⁽²⁾	Select the UART2 transmit interrupt source
	U2RRM ⁽²⁾ , UiLCH, UiERE	Set to 0
UiSMR	0 to 3, 7	Set to 0
	ABSCS	Select the sampling timing at which to detect a bus collision
	ACSE	Set this bit to 1 to use the auto clear function of transmit enable bit
	SSS	Select the transmit start condition
UiSMR2	0 to 7	Set to 0
UiSMR3	0 to 7	Set to 0
UiSMR4	0 to 7	Set to 0
IFSR0	IFSR06, IFSR07	Set to 1
UCON	U0IRS, U1IRS	Select the UART0/UART1 transmit interrupt source
	U0RRM, U1RRM	Set to 0
	CLKMD0	Invalid because the CLKMD1 bit = 0
	CLKMD1, RCSP, 7	Set to 0

i= 0 to 2

NOTES:

1. Not all register bits are described above. Set those bits to 0 when writing to the registers in IE mode.
2. Set bits 4 and 5 in registers U0C1 and U1C1 to 0. Bits U0IRS, U1IRS, U0RRM, and U1RRM are in the UCON register.

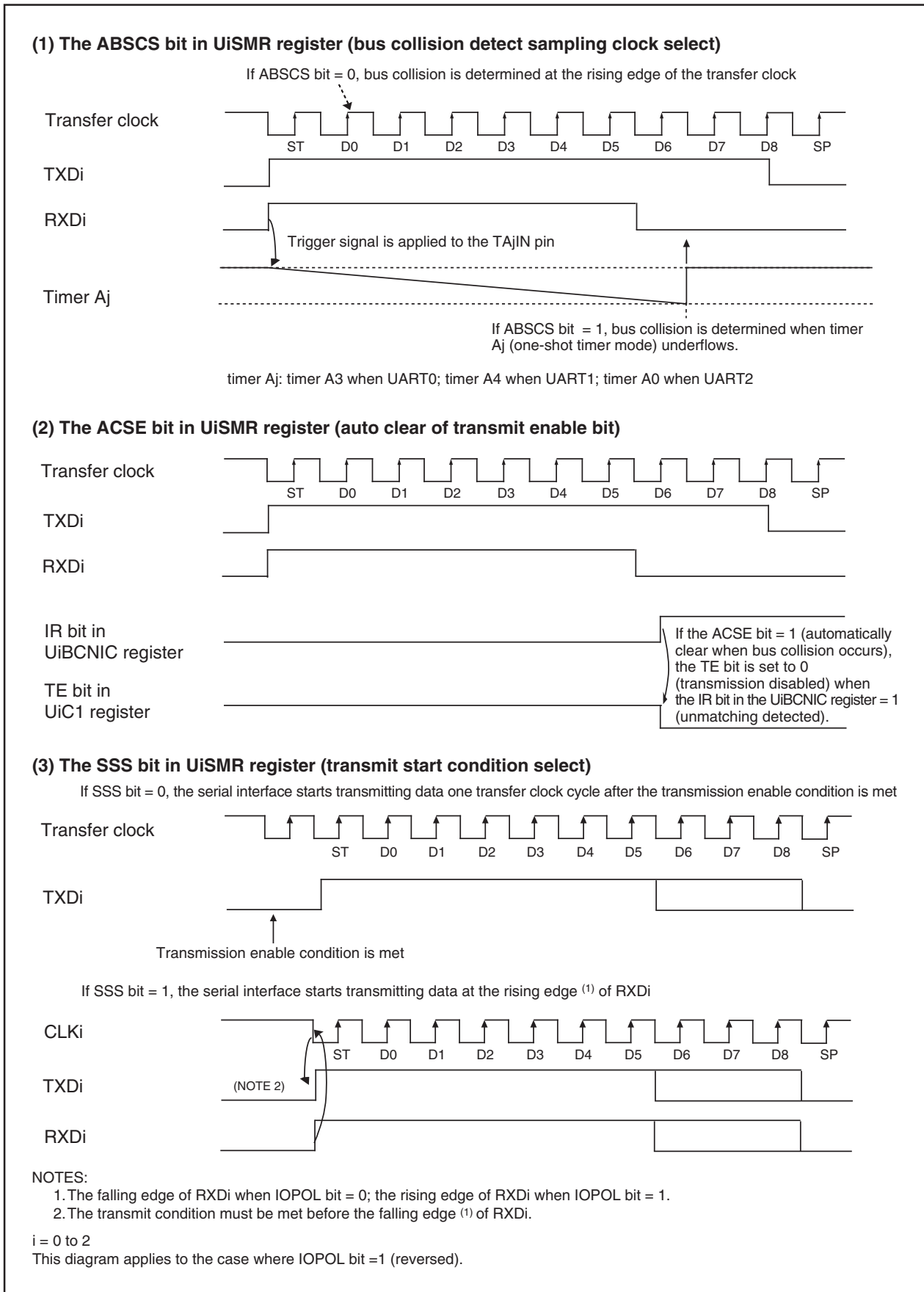


Figure 15.31 Bus Collision Detect Function-Related Bits

15.1.6 Special Mode 4 (SIM Mode) (UART2)

Based on UART mode, this is an SIM interface compatible mode. Direct and inverse formats can be implemented, and this mode allows to output a low from the TXD2 pin when a parity error is detected.

Table 15.17 lists the SIM Mode Specifications. Table 15.18 lists the Registers to be Used and Settings in SIM Mode. Figure 15.32 shows the Transmit and Receive Timing in SIM Mode.

Table 15.17 SIM Mode Specifications

Item	Specification
Transfer data format	<ul style="list-style-type: none"> • Direct format • Inverse format
Transfer clock	<ul style="list-style-type: none"> • The CKDIR bit in the U2MR register = 0 (internal clock) : $f_i/(16(n+1))$ $f_i = f1SIO, f2SIO, f8SIO, f32SIO$. n: Setting value of the U2BRG register 00h to FFh • The CKDIR bit = 1 (external clock) : $fEXT/(16(n+1))$ $fEXT$: Input from CLK2 pin. n: Setting value of the U2BRG register 00h to FFh
Transmit start condition	Before transmission can start, meet the following requirements <ul style="list-style-type: none"> • The TE bit in the U2C1 register = 1 (transmission enabled) • The TI bit in the U2C1 register = 0 (data present in the U2TB register)
Receive start condition	Before reception can start, meet the following requirements <ul style="list-style-type: none"> • The RE bit in the U2C1 register = 1 (reception enabled) • Start bit detection
Interrupt request generation timing ⁽²⁾	<ul style="list-style-type: none"> • For transmission When the serial interface finished sending data from the U2TB transfer register (U2IRS bit = 1) • For reception When transferring data from the UART2 receive register to the U2RB register (at completion of reception)
Error detection	<ul style="list-style-type: none"> • Overrun error ⁽¹⁾ This error occurs if the serial interface started receiving the next data before reading the U2RB register and received the bit one before the last stop bit of the next data • Framing error ⁽³⁾ This error occurs when the number of stop bits set is not detected • Parity error ⁽³⁾ During reception, if a parity error is detected, parity error signal is output from the TXD2 pin. During transmission, a parity error is detected by the level of input to the RXD2 pin when a transmission interrupt occurs • Error sum flag This flag is set to 1 when any of the overrun, framing, and parity errors is encountered

NOTES:

1. If an overrun error occurs, the value of the U2RB register will be undefined. The IR bit in the S2RIC register remains unchanged.
2. A transmit interrupt request is generated by setting the U2IRS bit in the U2C1 register to 1 (transmission completed) and U2ERE bit in the U2C1 register to 1 (error signal output) after reset. Therefore, when using SIM mode, set the IR bit to 0 (interrupt not requested) after setting these bits.
3. The timing at which the framing error flag and the parity error flag are set is detected when data is transferred from the UARTi receive register to the UIRB register.

Table 15.18 Registers to Be Used and Settings in SIM Mode

Register	Bit	Function
U2TB ⁽¹⁾	0 to 7	Set transmit data
U2RB ⁽¹⁾	0 to 7	Receive data can be read
	OER,FER,PER,SUM	Error flag
U2BRG	0 to 7	Set a bit rate
U2MR	SMD2 to SMD0	Set to 101b
	CKDIR	Select the internal clock or external clock
	STPS	Set to 0
	PRY	Set this bit to 1 for direct format or 0 for inverse format
	PRYE	Set to 1
	IOPOL	Set to 0
U2C0	CLK1 to CLK0	Select the count source for the U2BRG register
	CRS	Invalid because the CRD bit = 1
	TXEPT	Transmit register empty flag
	CRD	Set to 1
	NCH	Set to 0
	CKPOL	Set to 0
	UFORM	Set this bit to 0 for direct format or 1 for inverse format
U2C1	TE	Set this bit to 1 to enable transmission
	TI	Transmit buffer empty flag
	RE	Set this bit to 1 to enable reception
	RI	Reception complete flag
	U2IRS	Set to 1
	U2RRM	Set to 0
	U2LCH	Set this bit to 0 for direct format or 1 for inverse format
	U2ERE	Set to 1
U2SMR ⁽¹⁾	0 to 3	Set to 0
U2SMR2	0 to 7	Set to 0
U2SMR3	0 to 7	Set to 0
U2SMR4	0 to 7	Set to 0

NOTE:

1. Not all register bits are described above. Set those bits to 0 when writing to the registers in SIM mode.

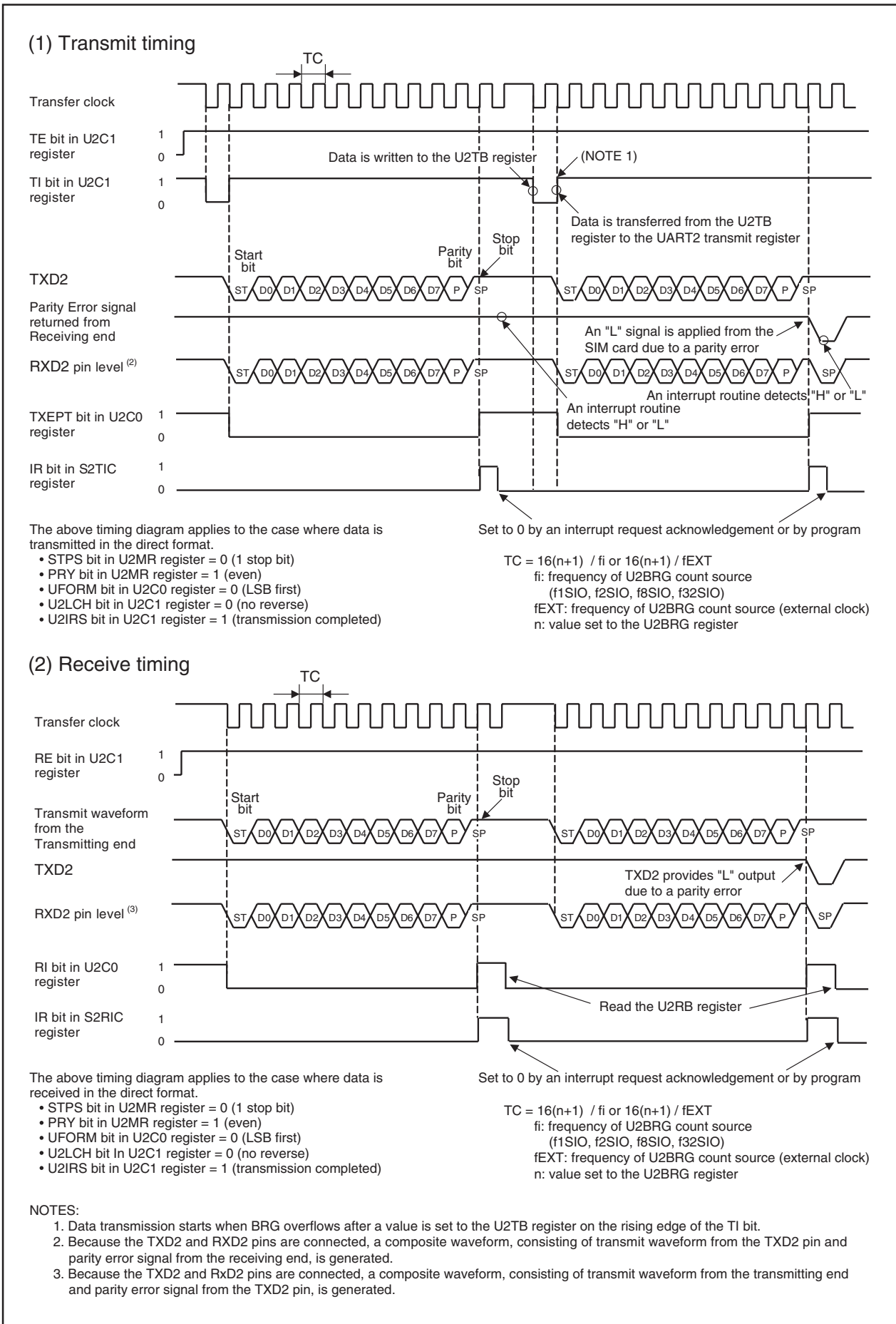


Figure 15.32 Transmit and Receive Timing in SIM Mode

Figure 15.33 shows the SIM Interface Connection. Connect TXD2 and RXD2 and apply pull-up.

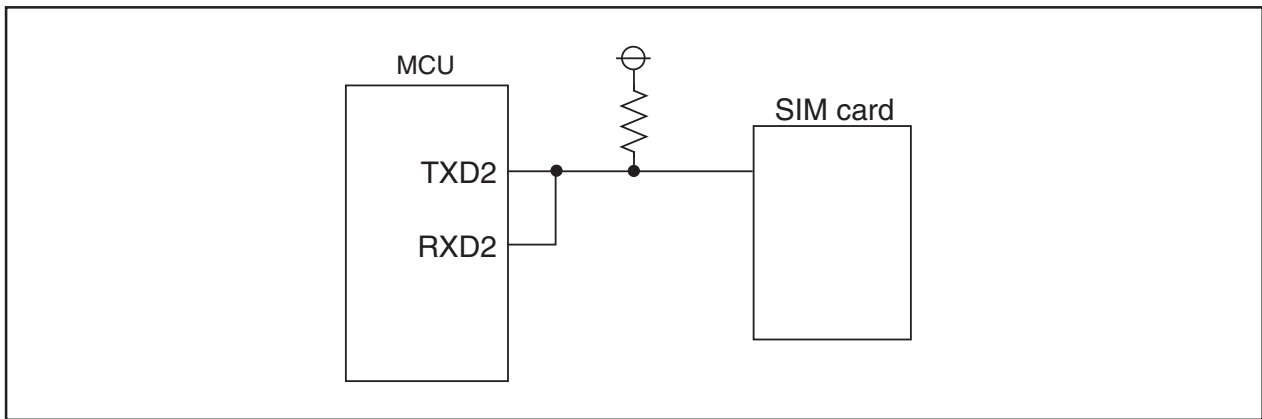


Figure 15.33 SIM Interface Connection

15.1.6.1 Parity Error Signal Output

The parity error signal is enabled by setting the U2ERE bit in the U2C1 register to 1 (output enabled). The parity error signal is output when a parity error is detected while receiving data. This is achieved by pulling the TXD2 output low with the timing shown in Figure 15.32. If the U2RB register is read while outputting a parity error signal, the PER bit in the U2RB register is set to 0 (no parity error) and at the same time the TXD2 output is returned high.

When transmitting, a transmission-finished interrupt request is generated at the falling edge of the transfer clock pulse that immediately follows the stop bit. Therefore, whether a parity signal has been returned can be determined by reading the port that shares the UXD2 pin in a transmission-finished interrupt routine.

Figure 15.34 shows the output timing of the parity error signal

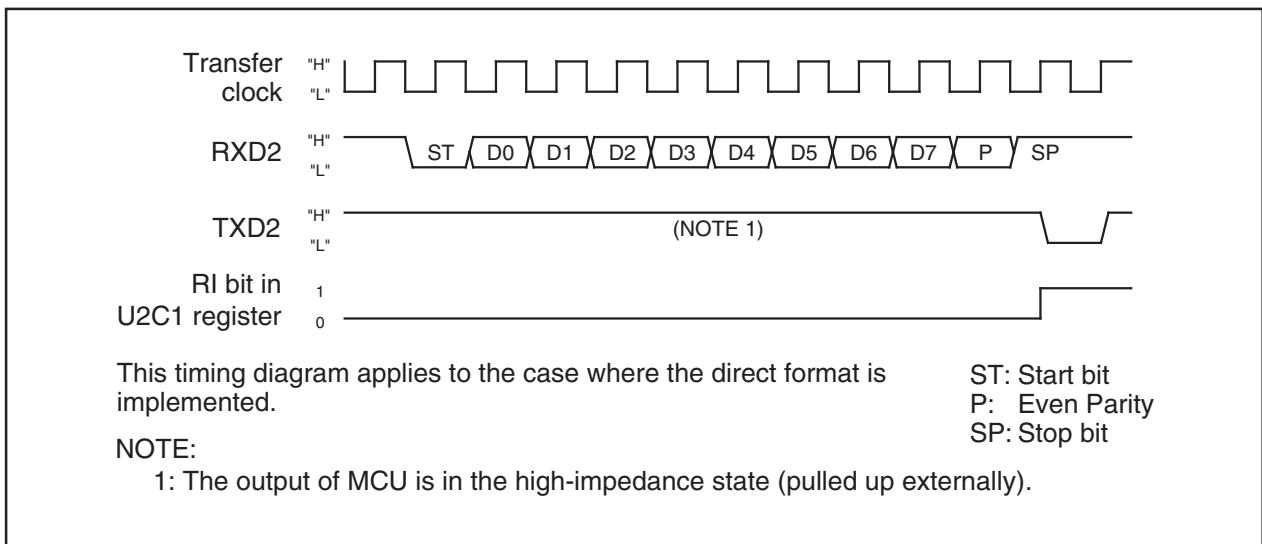


Figure 15.34 Parity Error Signal Output Timing

15.1.6.2 Format

When direct format, set the PRYE bit in the U2MR register to 1, the PRY bit to 1, the UFORM bit in the U2C0 register to 0 and the U2LCH bit in the U2C1 register to 0. When data are transmitted, data set in the U2TB register are transmitted with the even-numbered parity, starting from D0. When data are received, received data are stored in the U2RB register, starting from D0. The even-numbered parity determines whether a parity error occurs.

When inverse format, set the PRYE bit to 1, the PRY bit to 0, the UFORM bit to 1 and the U2LCH bit to 1. When data are transmitted, values set in the U2TB register are logically inversed and are transmitted with the odd-numbered parity, starting from D7. When data are received, received data are logically inversed to be stored in the U2RB register, starting from D7. The odd-numbered parity determines whether a parity error occurs.

Figure 15.35 shows the SIM Interface Format.

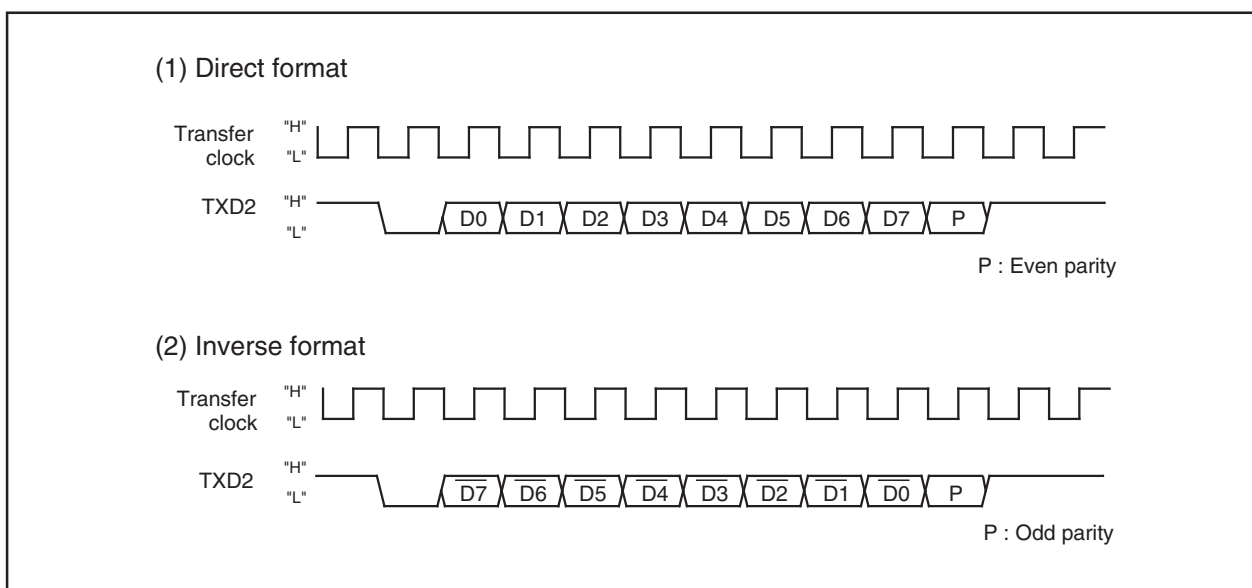


Figure 15.35 SIM Interface Format

15.2 SI/O3

SI/O3 is exclusive clock-synchronous serial I/Os.

Figure 15.36 shows the SI/O3 Block Diagram, and Figure 15.37 shows the SI/O3-related registers. Table 15.19 lists the SI/O3 Specifications.

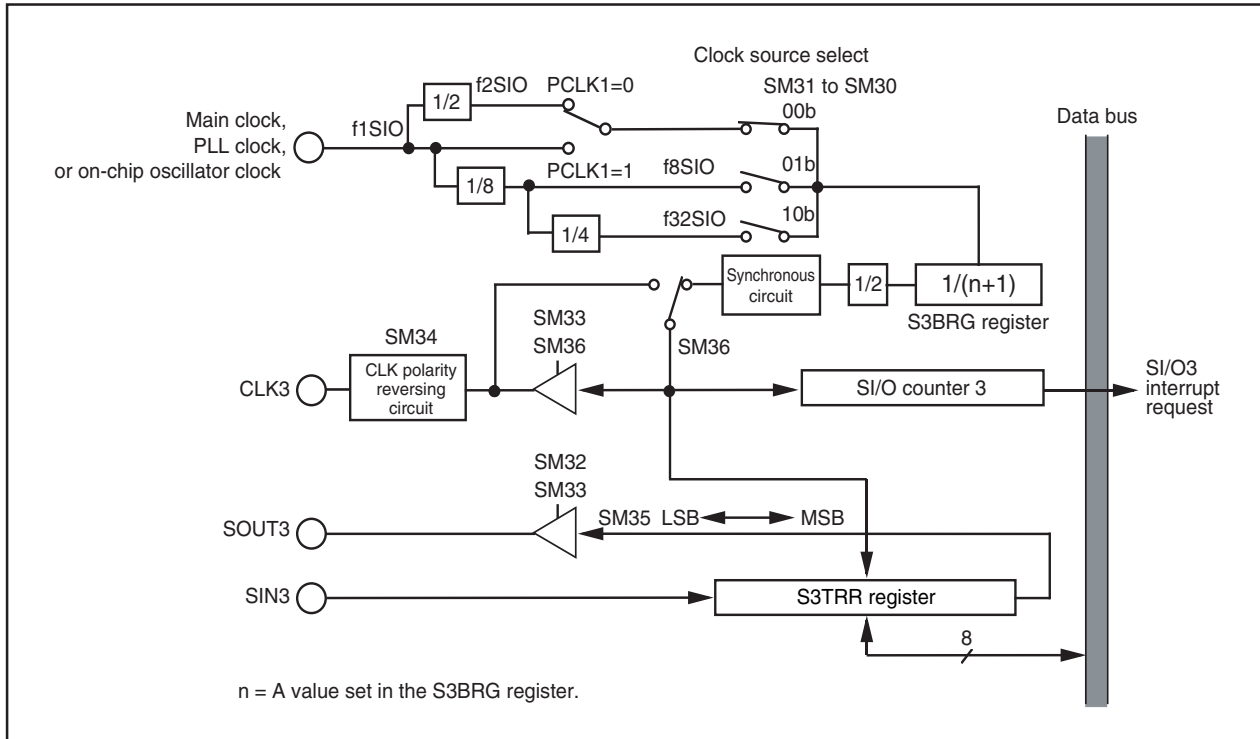


Figure 15.36 SI/O3 Block Diagram

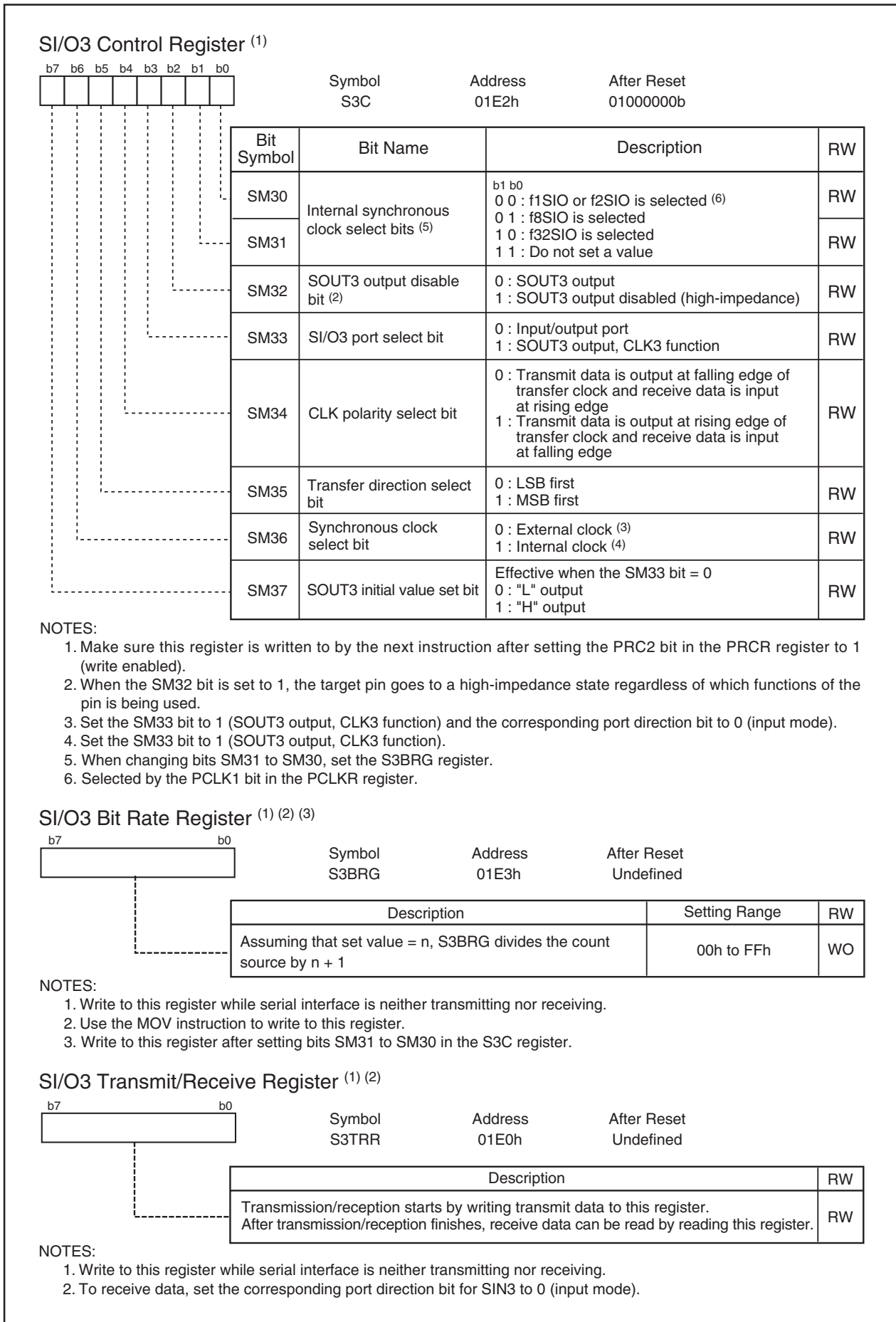


Figure 15.37 Registers S3C, S3BRG, and S3TRR

Table 15.19 SI/O3 Specifications

Item	Specification
Transfer data format	Transfer data length: 8 bits
Transfer clock	<ul style="list-style-type: none"> • SM36 bit in S3C register = 1 (internal clock) : $f_j/(2(n+1))$ $f_j = f1SIO, f8SIO, f32SIO$. n = Setting value of S3BRG register 00h to FFh • SM36 bit = 0 (external clock) : Input from CLK3 pin ⁽¹⁾
Transmit/receive start condition	Before transmission/reception can start, meet the following requirements Write transmit data to the S3TRR register ^{(2) (3)}
Interrupt request generation timing	<ul style="list-style-type: none"> • When SM34 bit in S3C register = 0 The rising edge of the last transfer clock pulse ⁽⁴⁾ • When SM34 bit = 1 The falling edge of the last transfer clock pulse ⁽⁴⁾
CLK3 pin function	I/O port, transfer clock input, transfer clock output
SOUT3 pin function	I/O port, transmit data output, high-impedance
SIN3 pin function	I/O port, receive data input
Select function	<ul style="list-style-type: none"> • LSB first or MSB first selection Whether to start transmitting or receiving data begins with bit 0 or begins with bit 7 can be selected • Function for setting an SOUT3 initial value set function When the SM36 bit in the S3C register = 0 (external clock), the SOUT3 pin output level while not transmitting can be selected. • CLK polarity selection Whether transmit data is output/input timing at the rising edge or falling edge of transfer clock can be selected.

NOTES:

- To set the SM36 bit in the S3C register to 0 (external clock), follow the procedure described below.
 - If the SM34 bit in the S3C register = 0, write transmit data to the S3TRR register while input on the CLK3 pin is high. The same applies when rewriting the SM37 bit in the S3C register.
 - If the SM34 bit = 1, write transmit data to the S3TRR register while input on the CLK3 pin is low. The same applies when rewriting the SM37 bit.
 - Because shift operation continues as long as the transfer clock is supplied to the SI/O3 circuit, stop the transfer clock after supplying eight pulses. If the SM36 bit = 1 (internal clock), the transfer clock automatically stops.
- Unlike UART0 to UART2, SI/O3 is not separated between the transfer register and buffer. Therefore, do not write the next transmit data to the S3TRR register during transmission.
- When the SM36 bit = 1 (internal clock), SOUT3 retains the last data for a 1/2 transfer clock period after completion of transfer and, thereafter, goes to a high-impedance state. However, if transmit data is written to the S3TRR register during this period, SOUT3 immediately goes to a high-impedance state, with the data hold time thereby reduced.
- When the SM36 bit = 1 (internal clock), the transfer clock stops in the high state if the SM34 bit = 0, or stops in the low state if the SM34 bit = 1.

15.2.1 SI/O3 Operation Timing

Figure 15.38 shows the SI/O3 Operation Timing.

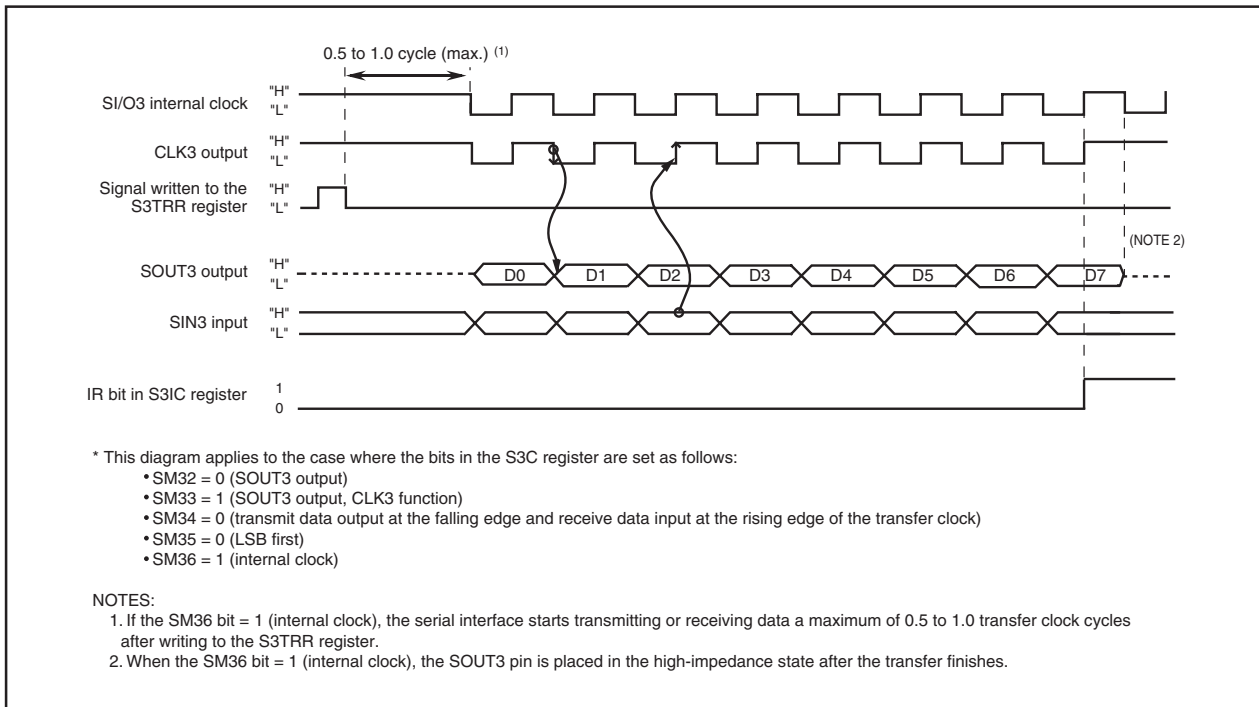


Figure 15.38 SI/O3 Operation Timing

15.2.2 CLK Polarity Selection

The SM34 bit in the S3C register allows selection of the polarity of the transfer clock.

Figure 15.39 shows the Polarity of Transfer Clock.

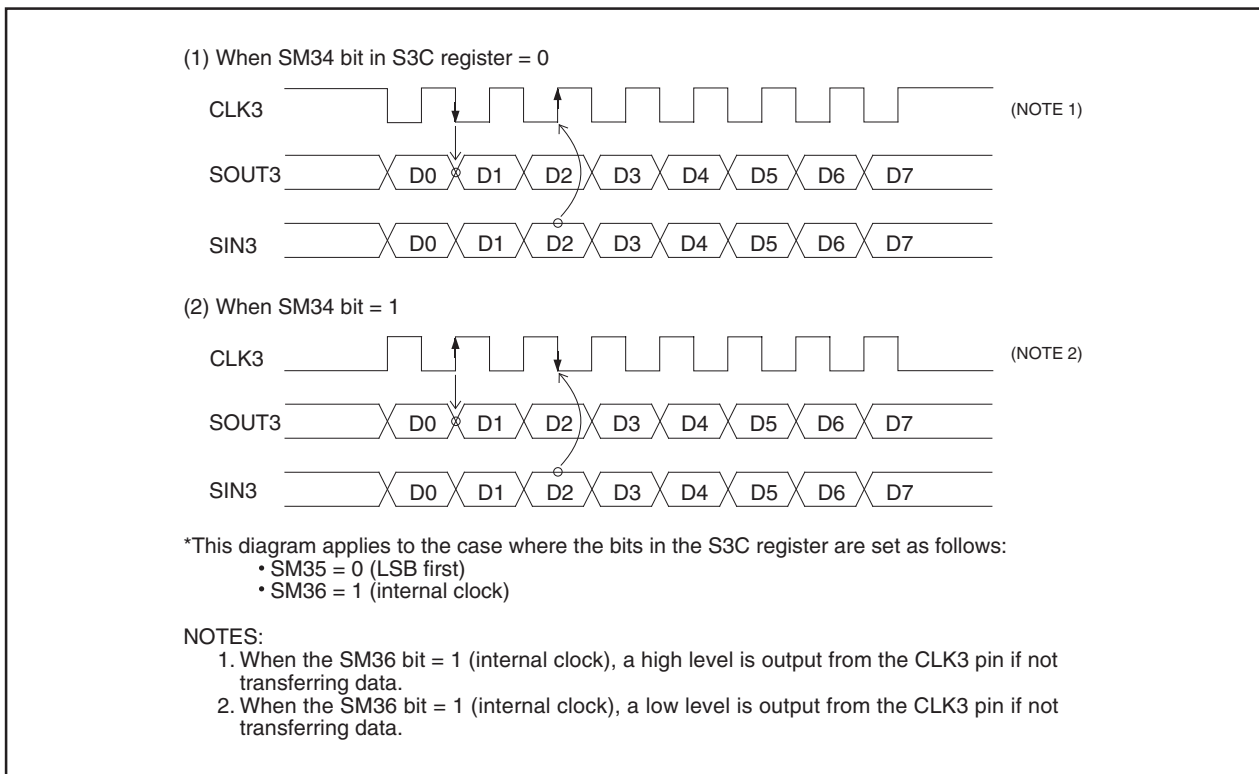


Figure 15.39 Polarity of Transfer Clock

15.2.3 Functions for Setting SOUT3 Initial Value

If the SM36 bit in the S3C register is set to 0 (external clock), the SOUT3 pin output can be fixed high or low when not transferring. However, the last bit value of the former data is retained between data and data when transmitting the continuous data.

Figure 15.40 shows the timing chart and how to set it for the SOUT3's Initial Value Setting.

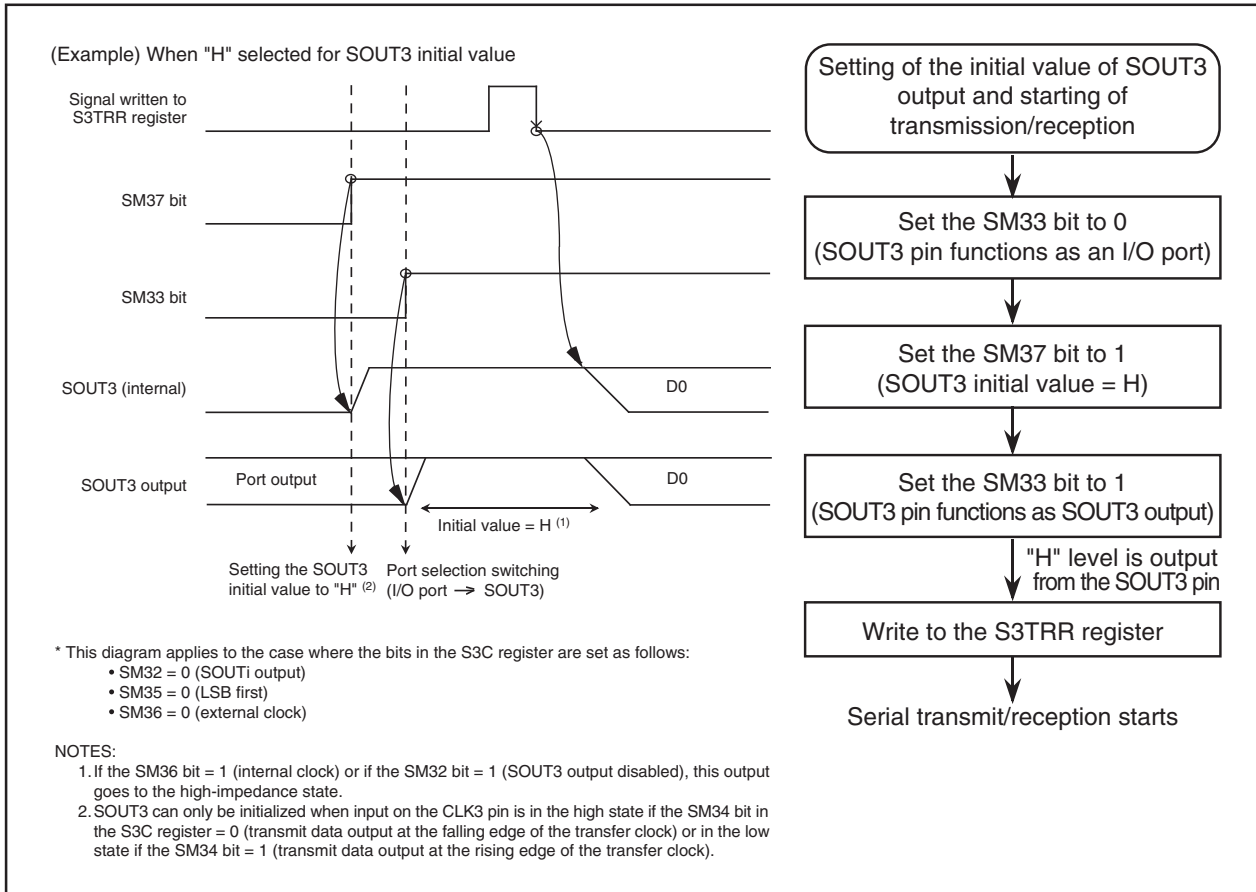


Figure 15.40 SOUT3's Initial Value Setting

16. A/D Converter

The MCU contains one A/D converter circuit based on 10-bit successive approximation method configured with a capacitive-coupling amplifier. The analog inputs share the pins with P10_0 to P10_7, P9_5, P9_6, P0_0 to P0_7, and P2_0 to P2_7. Similarly, ADTRG input shares the pin with P9_7. Therefore, when using these inputs, make sure the corresponding port direction bits are set to 0 (input mode).

When not using the A/D converter, set the VCUT bit to 0 (VREF unconnected), so that no current will flow from the VREF pin into the resistor ladder, helping to reduce the power consumption of the chip.

The A/D conversion result is stored in the bits in the ADi register for pins ANi, AN0_i, and AN2_i (i = 0 to 7). Table 16.1 shows the A/D Converter Performance. Figure 16.1 shows the A/D Converter Block Diagram, and Figures 16.2 and 16.3 show the A/D converter-related registers.

Table 16.1 A/D Converter Performance

Item	Performance
Method of A/D conversion	Successive approximation (capacitive coupling amplifier)
Analog input voltage ⁽¹⁾	0 V to AVCC (VCC)
Operating clock ϕ_{AD} ⁽²⁾	fAD, divide-by-2 of fAD, divide-by-3 of fAD, divide-by-4 of fAD, divide-by-6 of fAD, divide-by-12 of fAD
Resolution	8 bits or 10 bits (selectable)
Integral nonlinearity error	When AVCC = VREF = 5 V <ul style="list-style-type: none"> • With 8-bit resolution: ± 2 LSB • With 10-bit resolution: ± 3 LSB When external operation amp connection mode is selected: ± 7 LSB When AVCC = VREF = 3.3 V <ul style="list-style-type: none"> • With 8-bit resolution: ± 2 LSB • With 10-bit resolution: ± 5 LSB When external operation amp connection mode is selected: ± 7 LSB
Operating modes	One-shot mode, repeat mode, single sweep mode, repeat sweep mode 0, and repeat sweep mode 1
Analog input pins	8 pins (AN0 to AN7) + 2 pins (ANEX0 and ANEX1) + 8 pins (AN0_0 to AN0_7) + 8 pins (AN2_0 to AN2_7)
A/D conversion start condition	<ul style="list-style-type: none"> • Software trigger The ADST bit in the ADCON0 register is set to 1 (A/D conversion starts) • External trigger (retriggerable) Input on the ADTRG pin changes state from high to low after the ADST bit is set to 1 (A/D conversion starts)
Conversion speed per pin	<ul style="list-style-type: none"> • Without sample and hold 8-bit resolution: 49 ϕ_{AD} cycles, 10-bit resolution: 59 ϕ_{AD} cycles • With sample and hold 8-bit resolution: 28 ϕ_{AD} cycles, 10-bit resolution: 33 ϕ_{AD} cycles

NOTES:

1. Does not depend on use of sample and hold.
2. ϕ_{AD} frequency must be 10 MHz or less.
When sample and hold is disabled, ϕ_{AD} frequency must be 250 kHz or more.
When sample and hold is enabled, ϕ_{AD} frequency must be 1 MHz or more.

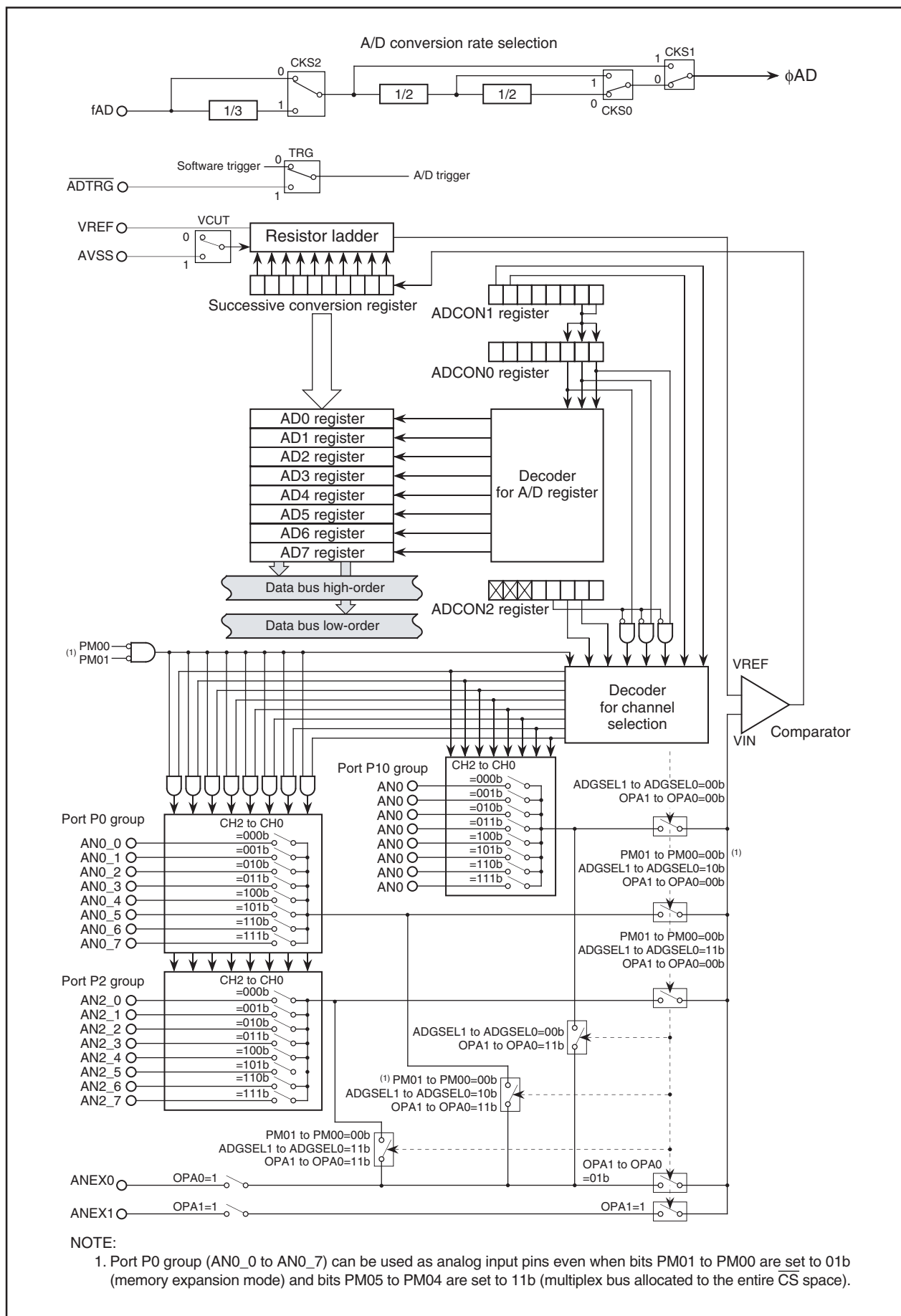


Figure 16.1 A/D Converter Block Diagram

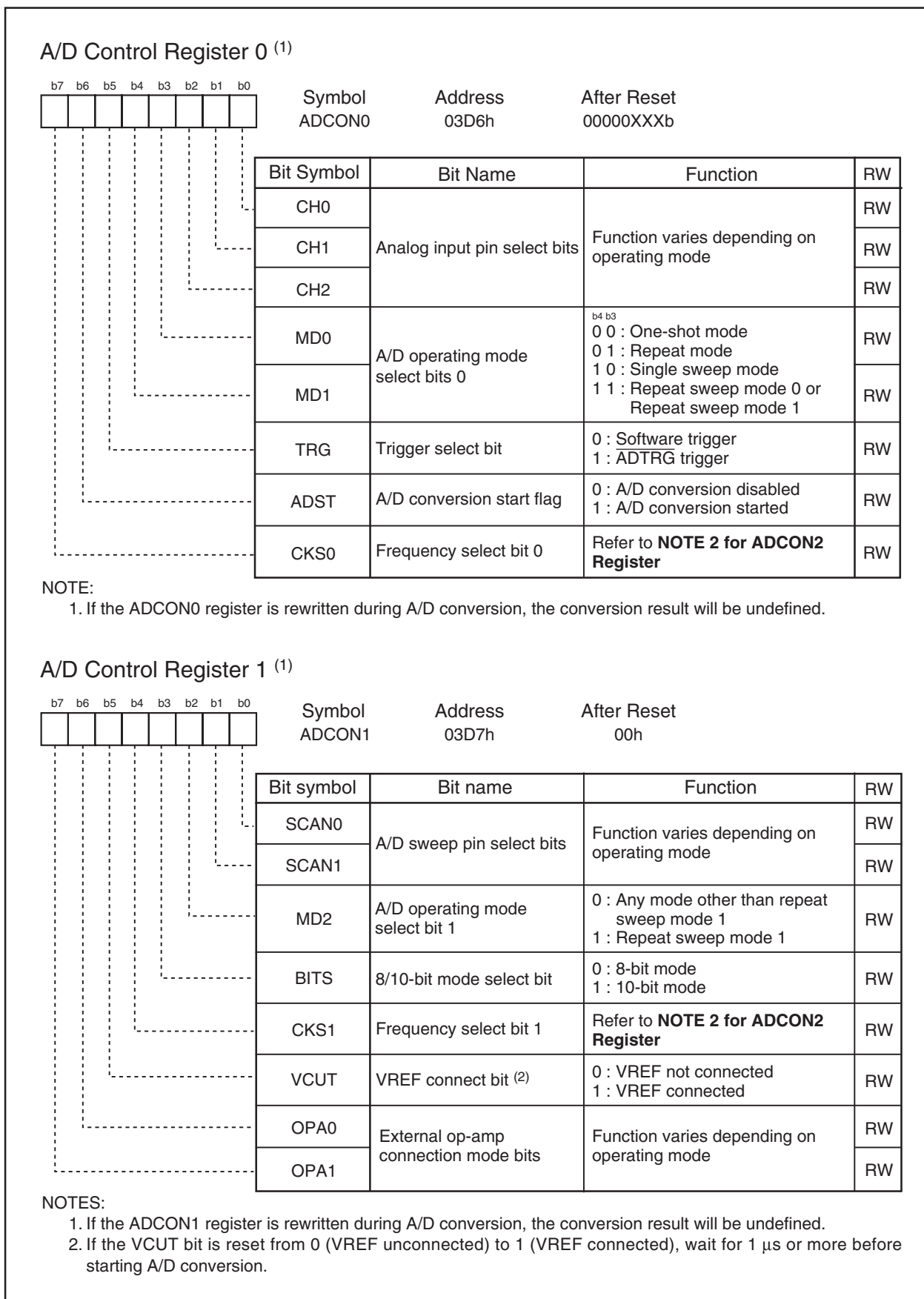


Figure 16.2 Registers ADCON0 and ADCON1

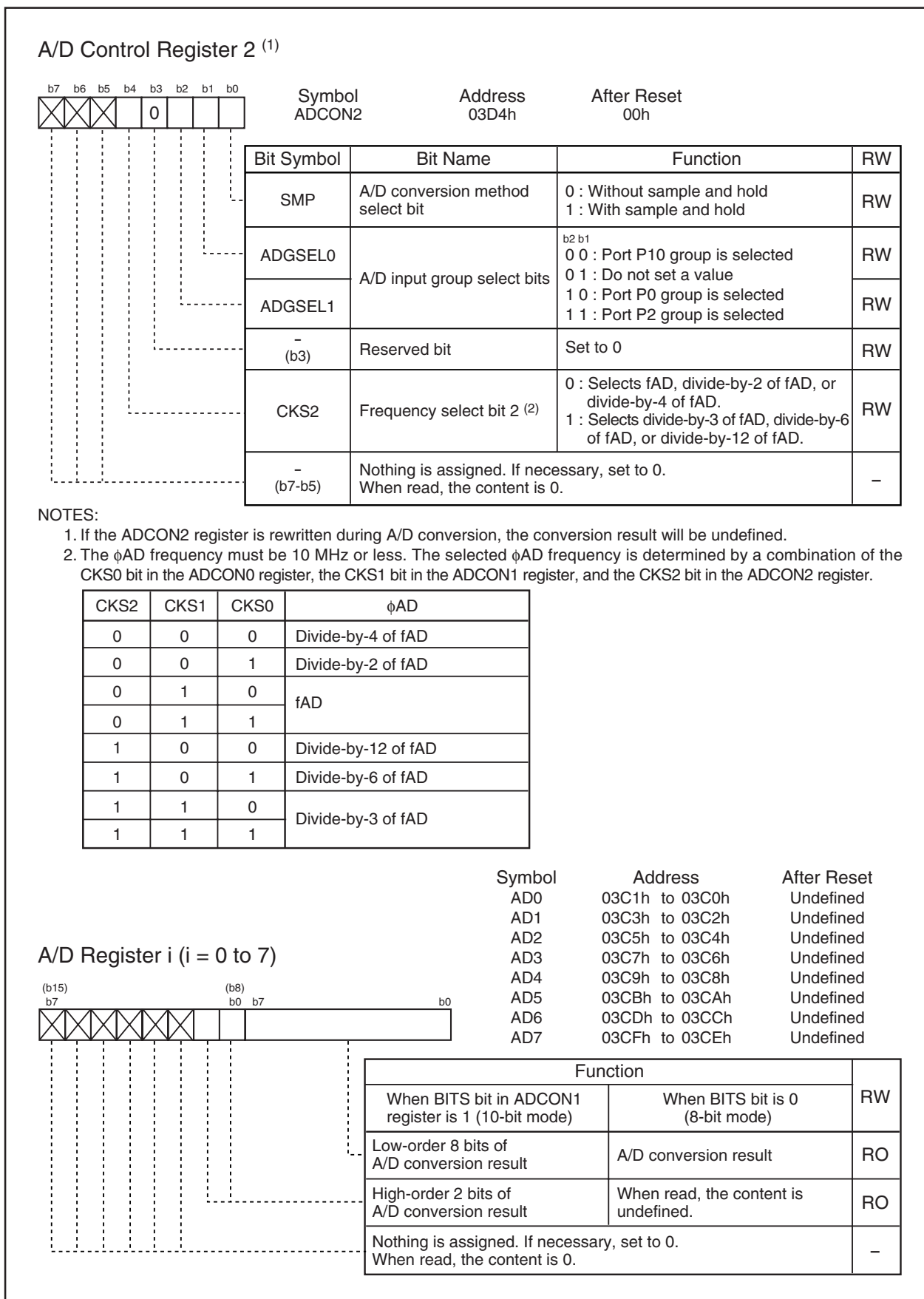


Figure 16.3 Registers ADCON2, and AD0 to AD7

16.1 Mode Description

16.1.1 One-shot Mode

In one-shot mode, analog voltage applied to a selected pin is converted to a digital code once.

Table 16.2 lists the One-shot Mode Specifications. Figure 16.4 shows Registers ADCON0 and ADCON1 in One-shot Mode.

Table 16.2 One-shot Mode Specifications

Item	Specification
Function	Bits CH2 to CH0 in the ADCON0 register, bits ADGSEL1 to ADGSEL0 in the ADCON2 register, and bits OPA1 to OPA0 in the ADCON1 register select a pin Analog voltage applied to the pin is converted to a digital code once.
A/D conversion start condition	<ul style="list-style-type: none"> • When the TRG bit in the ADCON0 register is 0 (software trigger) The ADST bit in the ADCON0 register is set to 1 (A/D conversion starts) • When the TRG bit is 1 ($\overline{\text{ADTRG}}$ trigger) Input on the $\overline{\text{ADTRG}}$ pin changes state from high to low after the ADST bit is set to 1 (A/D conversion starts)
A/D conversion stop condition	<ul style="list-style-type: none"> • Completion of A/D conversion (If a software trigger is selected, the ADST bit is set to 0 (A/D conversion halted).) • Set the ADST bit to 0
Interrupt request generation timing	Completion of A/D conversion
Analog input pin	Select one pin from AN0 to AN7, AN0_0 to AN0_7, AN2_0 to AN2_7, ANEX0 to ANEX1
Reading of result of A/D converter	Read one of registers AD0 to AD7 that corresponds to the selected pin

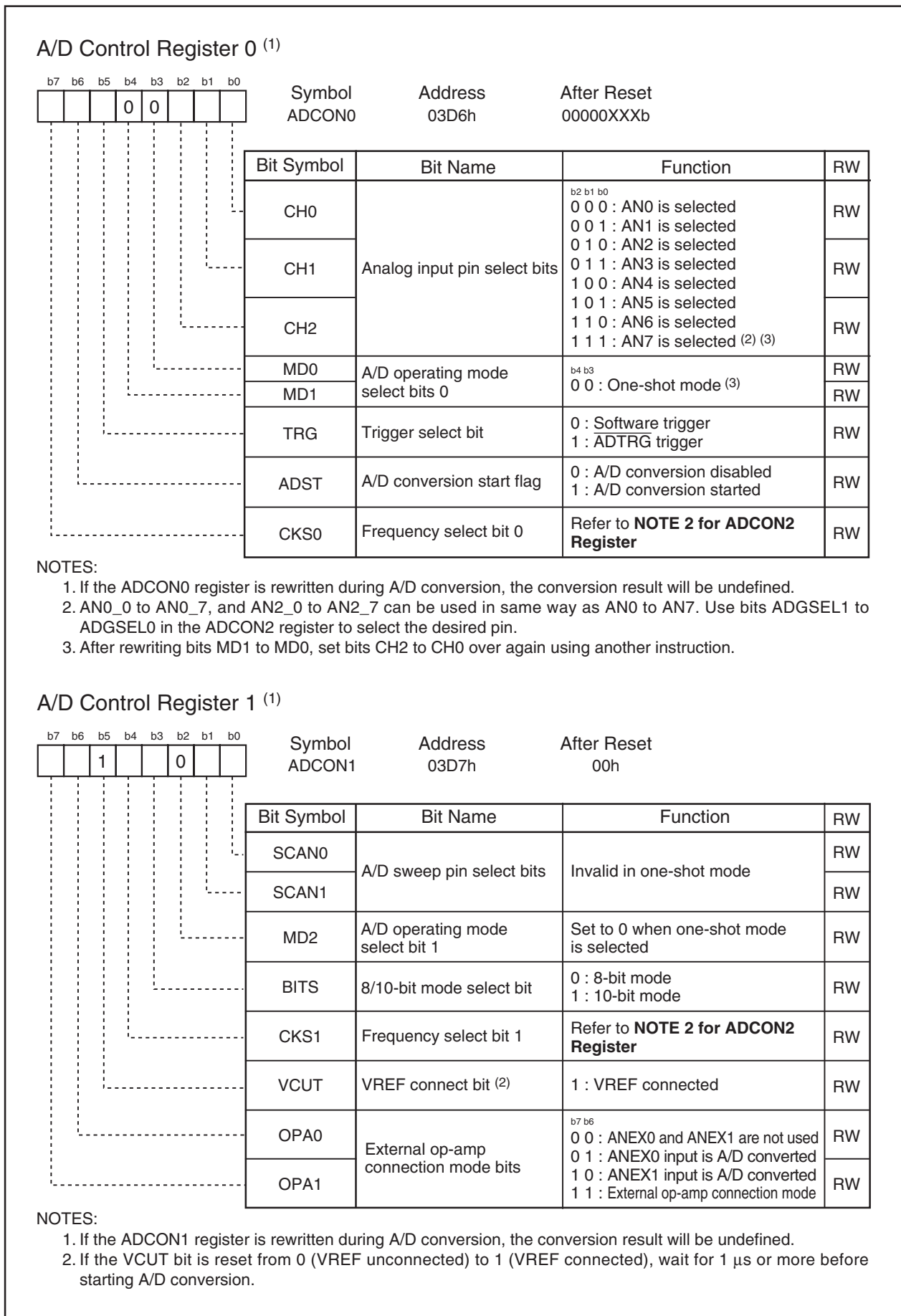


Figure 16.4 Registers ADCON0 and ADCON1 in One-shot Mode

16.1.2 Repeat Mode

In repeat mode, analog voltage applied to a selected pin is repeatedly converted to a digital code.

Table 16.3 lists the Repeat Mode Specifications. Figure 16.5 shows Registers ADCON0 and ADCON1 in Repeat Mode.

Table 16.3 Repeat Mode Specifications

Item	Specification
Function	Bits CH2 to CH0 in the ADCON0 register, bits ADGSEL1 to ADGSEL0 in the ADCON2 register, and bits OPA1 to OPA0 in the ADCON1 register select a pin. Analog voltage applied to this pin is repeatedly converted to a digital code.
A/D conversion start condition	<ul style="list-style-type: none"> • When the TRG bit in the ADCON0 register is 0 (software trigger) The ADST bit in the ADCON0 register is set to 1 (A/D conversion starts) • When the TRG bit is 1 ($\overline{\text{ADTRG}}$ trigger) Input on the $\overline{\text{ADTRG}}$ pin changes state from high to low after the ADST bit is set to 1 (A/D conversion starts)
A/D conversion stop condition	Set the ADST bit to 0 (A/D conversion halted)
Interrupt request generation timing	None generated
Analog input pin	Select one pin from AN0 to AN7, AN0_0 to AN0_7, AN2_0 to AN2_7, ANEX0 to ANEX1
Reading of result of A/D converter	Read one of registers AD0 to AD7 that corresponds to the selected pin

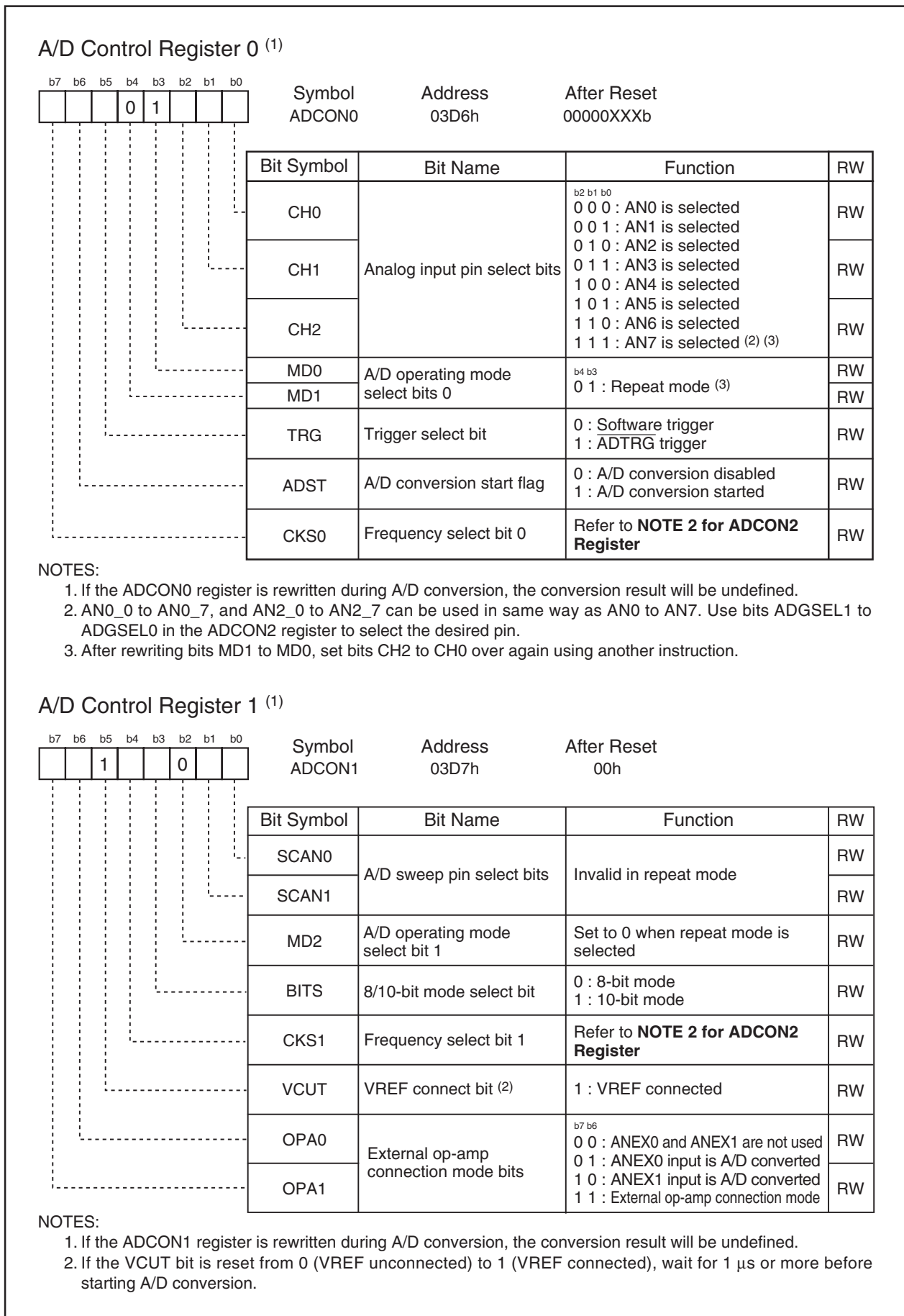


Figure 16.5 Registers ADCON0 and ADCON1 in Repeat Mode

16.1.3 Single Sweep Mode

In single sweep mode, analog voltage that is applied to selected pins is converted one-by-one to a digital code. Table 16.4 lists the Single Sweep Mode Specifications. Figure 16.6 shows Registers ADCON0 and ADCON1 in Single Sweep Mode.

Table 16.4 Single Sweep Mode Specifications

Item	Specification
Function	Bits SCAN1 to SCAN0 in the ADCON1 register and bits ADGSEL1 to ADGSEL0 in the ADCON2 register select pins. Analog voltage applied to this pins is converted one-by-one to a digital code.
A/D conversion start condition	<ul style="list-style-type: none"> • When the TRG bit in the ADCON0 register is 0 (software trigger) The ADST bit in the ADCON0 register is set to 1 (A/D conversion starts) • When the TRG bit is 1 ($\overline{\text{ADTRG}}$ trigger) Input on the $\overline{\text{ADTRG}}$ pin changes state from high to low after the ADST bit is set to 1 (A/D conversion starts)
A/D conversion stop condition	<ul style="list-style-type: none"> • Completion of A/D conversion (If a software trigger is selected, the ADST bit is set to 0 (A/D conversion halted).) • Set the ADST bit to 0
Interrupt request generation timing	Completion of A/D conversion
Analog input pin	Select from AN0 to AN1 (2 pins), AN0 to AN3 (4 pins), AN0 to AN5 (6 pins), AN0 to AN7 (8 pins) ⁽¹⁾
Reading of result of A/D converter	Read one of registers AD0 to AD7 that corresponds to the selected pin

NOTE:

1. AN0_0 to AN0_7, and AN2_0 to AN2_7 can be used in the same way as AN0 to AN7.

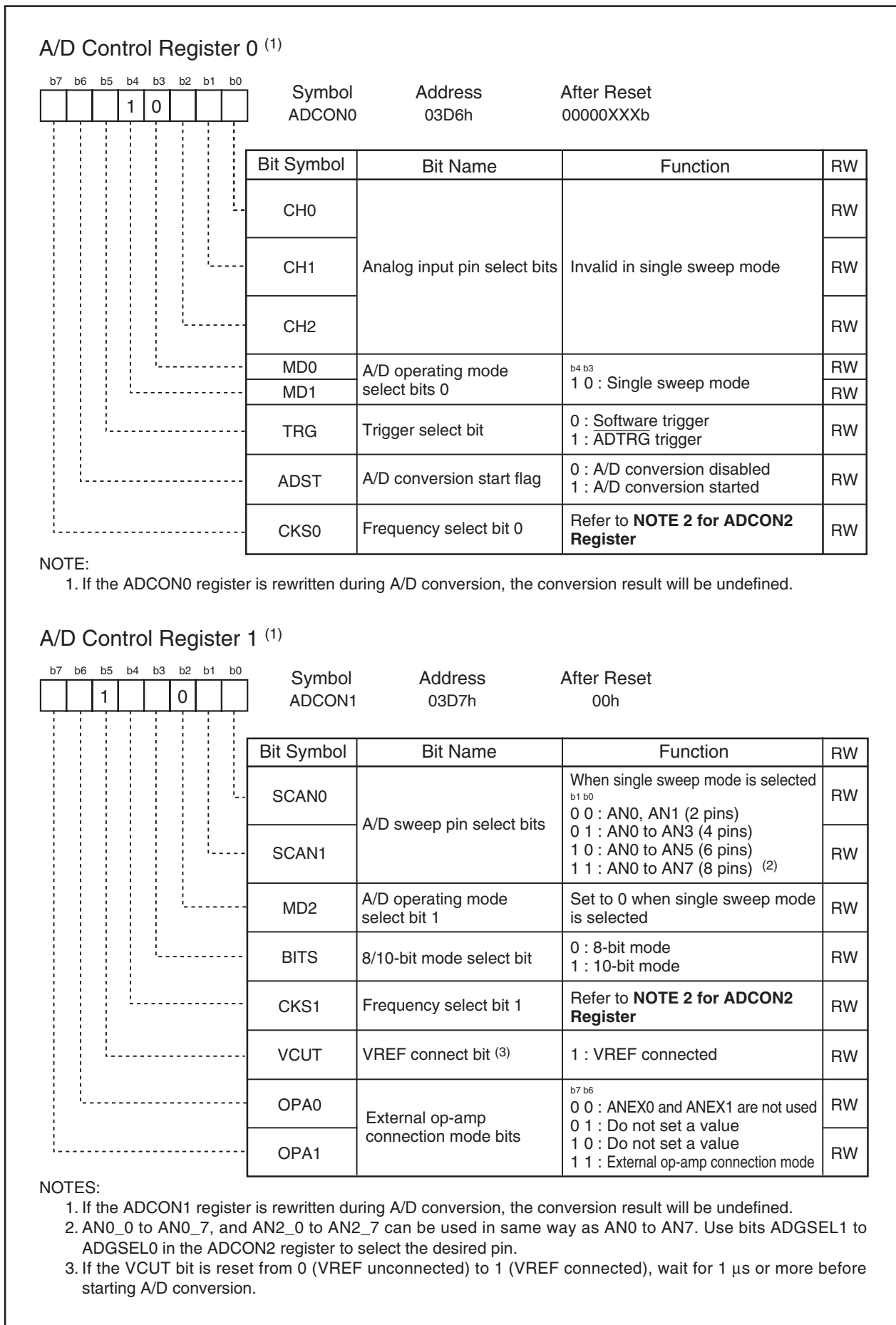


Figure 16.6 Registers ADCON0 and ADCON1 in Single Sweep Mode

16.1.4 Repeat Sweep Mode 0

In repeat sweep mode 0, analog voltage applied to selected pins is repeatedly converted to a digital code. Table 16.5 lists the Repeat Sweep Mode 0 Specifications. Figure 16.7 shows Registers ADCON0 and ADCON1 in Repeat Sweep Mode 0.

Table 16.5 Repeat Sweep Mode 0 Specifications

Item	Specification
Function	Bits SCAN1 to SCAN0 in the ADCON1 register and bits ADGSEL1 to ADGSEL0 in the ADCON2 register select pins. Analog voltage applied to the pins is repeatedly converted to a digital code.
A/D conversion start condition	<ul style="list-style-type: none"> • When the TRG bit in the ADCON0 register is 0 (software trigger) The ADST bit in the ADCON0 register is set to 1 (A/D conversion starts) • When the TRG bit is 1 (ADTRG trigger) Input on the ADTRG pin changes state from high to low after the ADST bit is set to 1 (A/D conversion starts)
A/D conversion stop condition	Set the ADST bit to 0 (A/D conversion halted)
Interrupt request generation timing	None generated
Analog input pin	Select from AN0 to AN1 (2 pins), AN0 to AN3 (4 pins), AN0 to AN5 (6 pins), AN0 to AN7 (8 pins) ⁽¹⁾
Reading of result of A/D converter	Read one of registers AD0 to AD7 that corresponds to the selected pin

NOTE:

1. AN0_0 to AN0_7, and AN2_0 to AN2_7 can be used in the same way as AN0 to AN7.

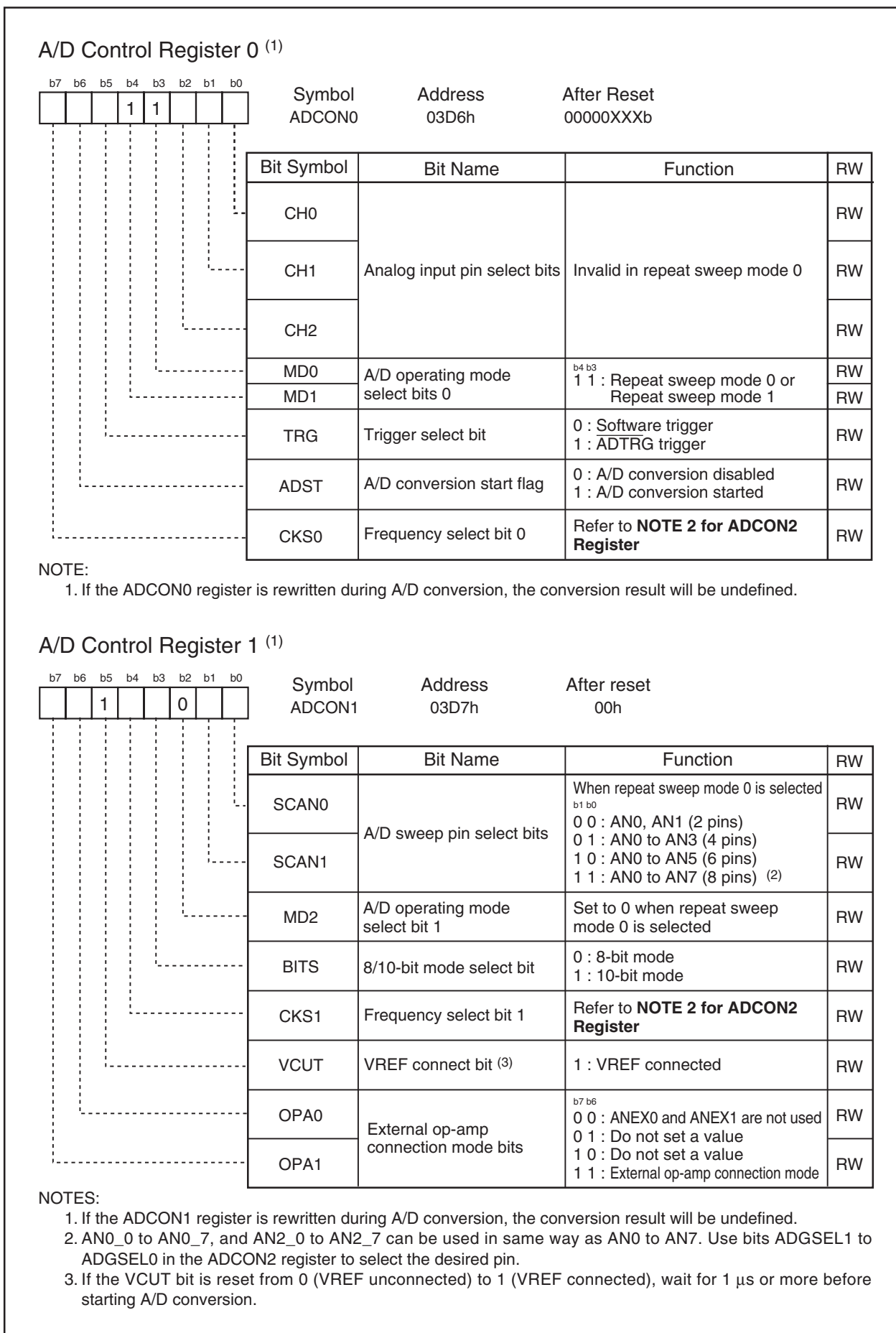


Figure 16.7 Registers ADCON0 and ADCON1 in Repeat Sweep Mode 0

16.1.5 Repeat Sweep Mode 1

In repeat sweep mode 1, analog voltage selectively applied to all pins is repeatedly converted to a digital code. Table 16.6 lists the Repeat Sweep Mode 1 Specifications. Figure 16.8 shows Registers ADCON0 and ADCON1 in Repeat Sweep Mode 1.

Table 16.6 Repeat Sweep Mode 1 Specifications

Item	Specification
Function	The input voltages on all pins selected by bits ADGSEL1 to ADGSEL0 in the ADCON2 register are A/D converted repeatedly, with priority given to pins selected by bits SCAN1 to SCAN0 in the ADCON1 register and bits ADGSEL1 to ADGSEL0. Example : If AN0 selected, input voltages are A/D converted in order of AN0 → AN1 → AN0 → AN2 → AN0 → AN3, and so on.
A/D conversion start condition	<ul style="list-style-type: none"> When the TRG bit in the ADCON0 register is 0 (software trigger) The ADST bit in the ADCON0 register is set to 1 (A/D conversion starts) When the TRG bit is 1 ($\overline{\text{ADTRG}}$ trigger) Input on the $\overline{\text{ADTRG}}$ pin changes state from high to low after the ADST bit is set to 1 (A/D conversion starts)
A/D conversion stop condition	Set the ADST bit to 0 (A/D conversion halted)
Interrupt request generation timing	None generated
Analog input pins to be given priority when A/D converted	Select from AN0 (1 pin), AN0 to AN1 (2 pins), AN0 to AN2 (3 pins), AN0 to AN3 (4 pins) ⁽¹⁾
Reading of result of A/D converter	Read one of registers AD0 to AD7 that corresponds to the selected pin

NOTE:

1. AN0_0 to AN0_7, and AN2_0 to AN2_7 can be used in the same way as AN0 to AN7.

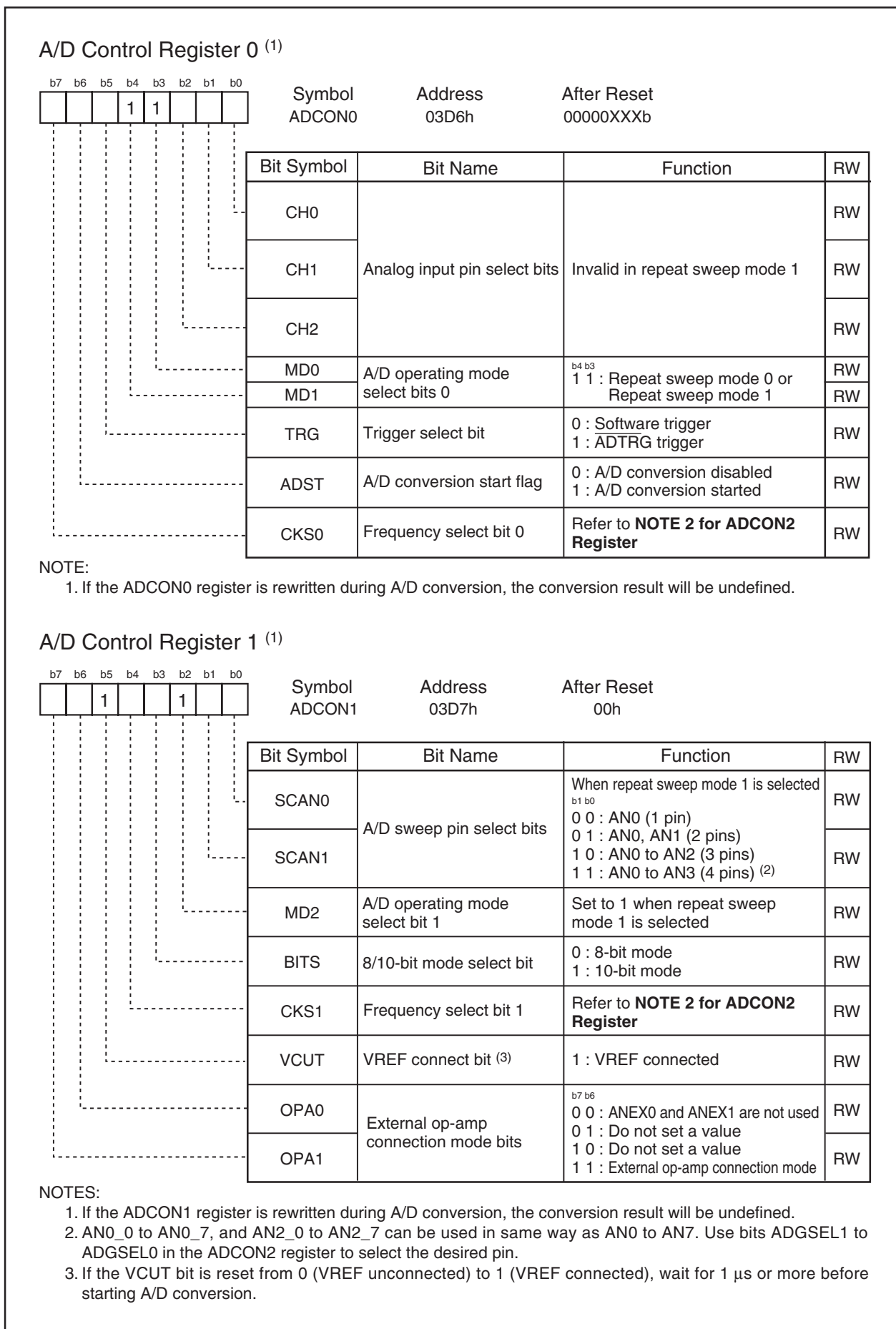


Figure 16.8 Registers ADCON0 and ADCON1 in Repeat Sweep Mode 1

16.2 Function

16.2.1 Resolution Select Function

The desired resolution can be selected using the BITS bit in the ADCON1 register. If the BITS bit is set to 1 (10-bit conversion accuracy), the A/D conversion result is stored in the bits 0 to 9 in the ADi register ($i = 0$ to 7). If the BITS bit is set to 0 (8-bit conversion accuracy), the A/D conversion result is stored in the bits 0 to 7 in the ADi register.

16.2.2 Sample and Hold

If the SMP bit in the ADCON2 register is set to 1 (with sample and hold), the conversion speed per pin is increased to $28 \phi_{AD}$ cycles for 8-bit resolution or $33 \phi_{AD}$ cycles for 10-bit resolution. Sample and hold is effective in all operating modes. Select whether or not to use the sample and hold function before starting A/D conversion.

16.2.3 Extended Analog Input Pins

In one-shot and repeat modes, pins ANEX0 and ANEX1 can be used as analog input pins. Use bits OPA1 to OPA0 in the ADCON1 register to select whether or not use ANEX0 and ANEX1.

The A/D conversion results of ANEX0 and ANEX1 inputs are stored in registers AD0 and AD1, respectively.

16.2.4 External Operation Amplifier (Op-Amp) Connection Mode

Multiple analog inputs can be amplified using a single external op-amp via pins ANEX0 and ANEX1.

Set bits OPA1 to OPA0 in the ADCON1 register to 11b (external op-amp connection mode). The inputs from ANi ($i = 0$ to 7)⁽¹⁾ are output from the ANEX0 pin. Amplify this output with an external op-amp before sending it back to the ANEX1 pin. The A/D conversion result is stored in the corresponding ADi register. The A/D conversion speed depends on the response characteristics of the external op-amp.

Figure 16.9 shows an External Op-Amp Connection.

NOTE:

1. AN0_i and AN2_i can be used the same as ANi.

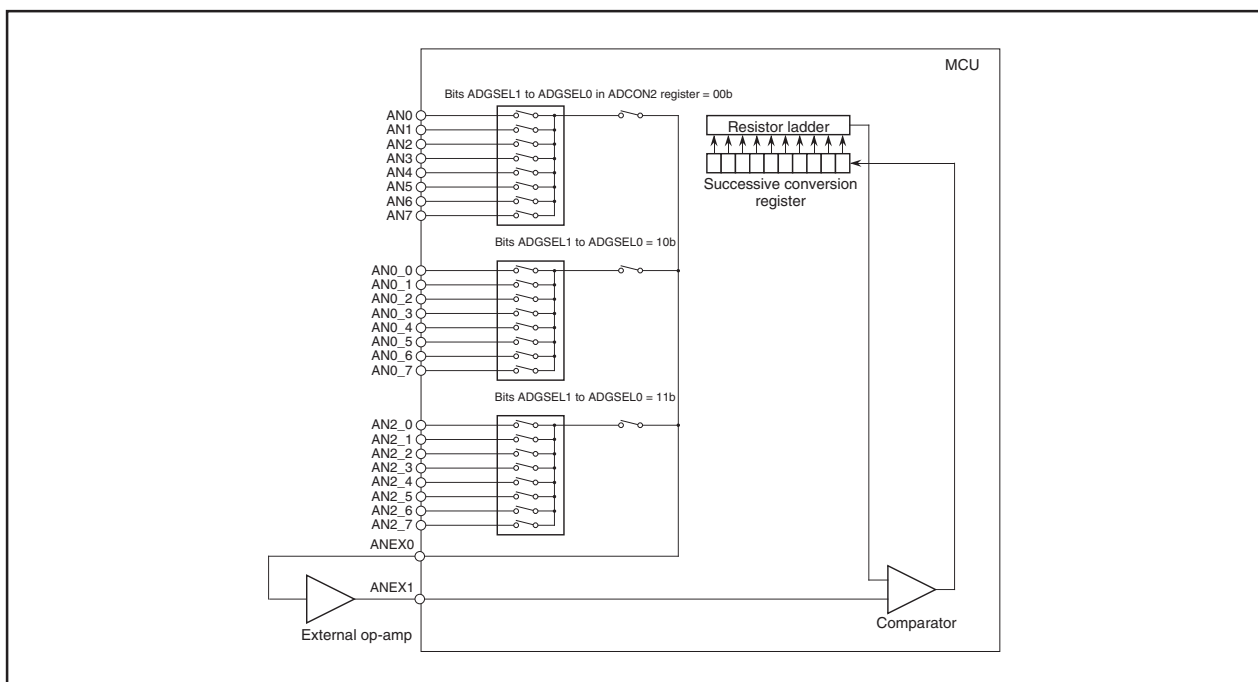


Figure 16.9 External Op-Amp Connection

16.2.5 Current Consumption Reducing Function

When not using the A/D converter, its resistor ladder and reference voltage input pin (VREF) can be separated using the VCUT bit in the ADCON1 register. When separated, no current will flow from the VREF pin into the resistor ladder, helping to reduce the power consumption of the chip.

To use the A/D converter, set the VCUT bit to 1 (VREF connected) and then set the ADST bit in the ADCON0 register to 1 (A/D conversion start). The VCUT and ADST bits cannot be set to 1 at the same time.

Nor can the VCUT bit be set to 0 (VREF unconnected) during A/D conversion.

Note that this does not affect VREF for the D/A converter (irrelevant).

16.2.6 Output Impedance of Sensor under A/D Conversion

To carry out A/D conversion properly, charging the internal capacitor C shown in Figure 16.10 has to be completed within a specified period of time. T (sampling time) as the specified time. Let output impedance of sensor equivalent circuit be R0, internal resistance of MCU be R, precision (error) of the A/D converter be X, and the resolution of A/D converter be Y (Y is 1024 in 10-bit mode, and 256 in 8-bit mode).

$$VC \text{ is generally } VC = VIN \left\{ 1 - e^{-\frac{1}{C(R0+R)}t} \right\}$$

$$\text{And when } t = T, \quad VC = VIN - \frac{X}{Y} VIN = VIN \left(1 - \frac{X}{Y} \right)$$

$$e^{-\frac{1}{C(R0+R)}T} = \frac{X}{Y}$$

$$-\frac{1}{C(R0+R)}T = \ln \frac{X}{Y}$$

$$\text{Hence, } R0 = -\frac{T}{C \cdot \ln \frac{X}{Y}} - R$$

Figure 16.10 shows the Analog Input Pin and External Sensor Equivalent Circuit.

When the difference between VIN and VC becomes 0.1 LSB, we find impedance R0 when voltage between pins VC changes from 0 to VIN-(0.1/1024) VIN in time T. (0.1/1024) means that A/D precision drop due to insufficient capacitor charge is held to 0.1 LSB at time of A/D conversion in 10-bit mode. Actual error however is the value of absolute precision added to 0.1 LSB.

When f(φAD) = 10 MHz, T = 0.3 μs in the A/D conversion mode with sample & hold. Output impedance R0 for sufficiently charging capacitor C within time T is determined as follows.

T = 0.3 μs, R = 7.8 kΩ, C = 1.5 pF, X = 0.1, and Y = 1024. Hence,

$$R0 = -\frac{0.3 \times 10^{-6}}{1.5 \times 10^{-12} \cdot \ln \frac{0.1}{1024}} - 7.8 \times 10^3 = 13.9 \times 10^3$$

Thus, the allowable output impedance of the sensor equivalent circuit, making the precision (error) 0.1 LSB or less, is approximately 13.9 kΩ. maximum.

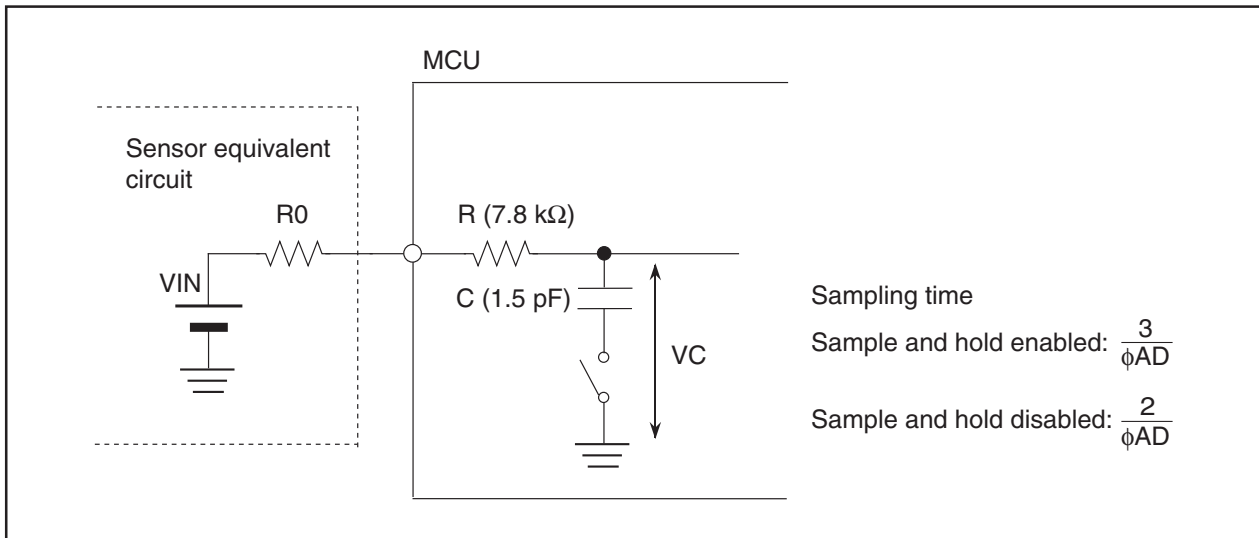


Figure 16.10 Analog Input Pin and External Sensor Equivalent Circuit

17. D/A Converter

This is an 8-bit, R-2R type D/A converter. These are two independent D/A converters.

D/A conversion is performed by writing to the DA_i register (i = 0, 1). To output the result of conversion, set the DA_iE bit in the DACON register to 1 (output enabled). Before D/A conversion can be used, the corresponding port direction bit is set to 0 (input mode). Setting the DA_iE bit to 1 removes a pull-up from the corresponding port.

Output analog voltage (V) is determined by a set value (n : decimal) in the DA_i register.

$$V = V_{REF} \times n / 256 \quad (n = 0 \text{ to } 255)$$

V_{REF} : reference voltage

Table 17.1 lists the D/A converter Performance. Figure 17.1 shows the D/A Converter Block Diagram.

Figure 17.2 shows the D/A converter-related registers. Figure 17.3 shows the D/A Converter Equivalent Circuit.

Table 17.1 D/A Converter Performance

Item	Performance
D/A conversion method	R-2R method
Resolution	8 bits
Analog output pin	2 channels (DA0 and DA1)

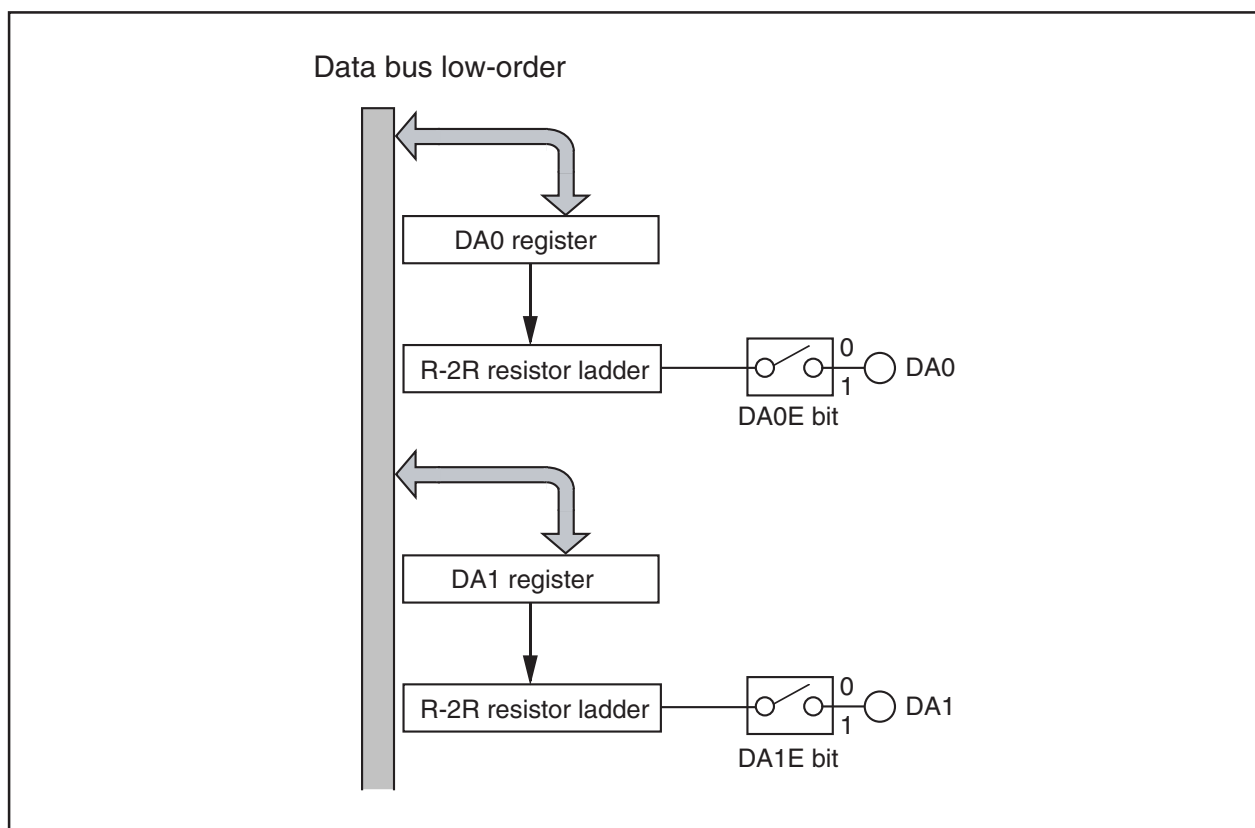


Figure 17.1 D/A Converter Block Diagram

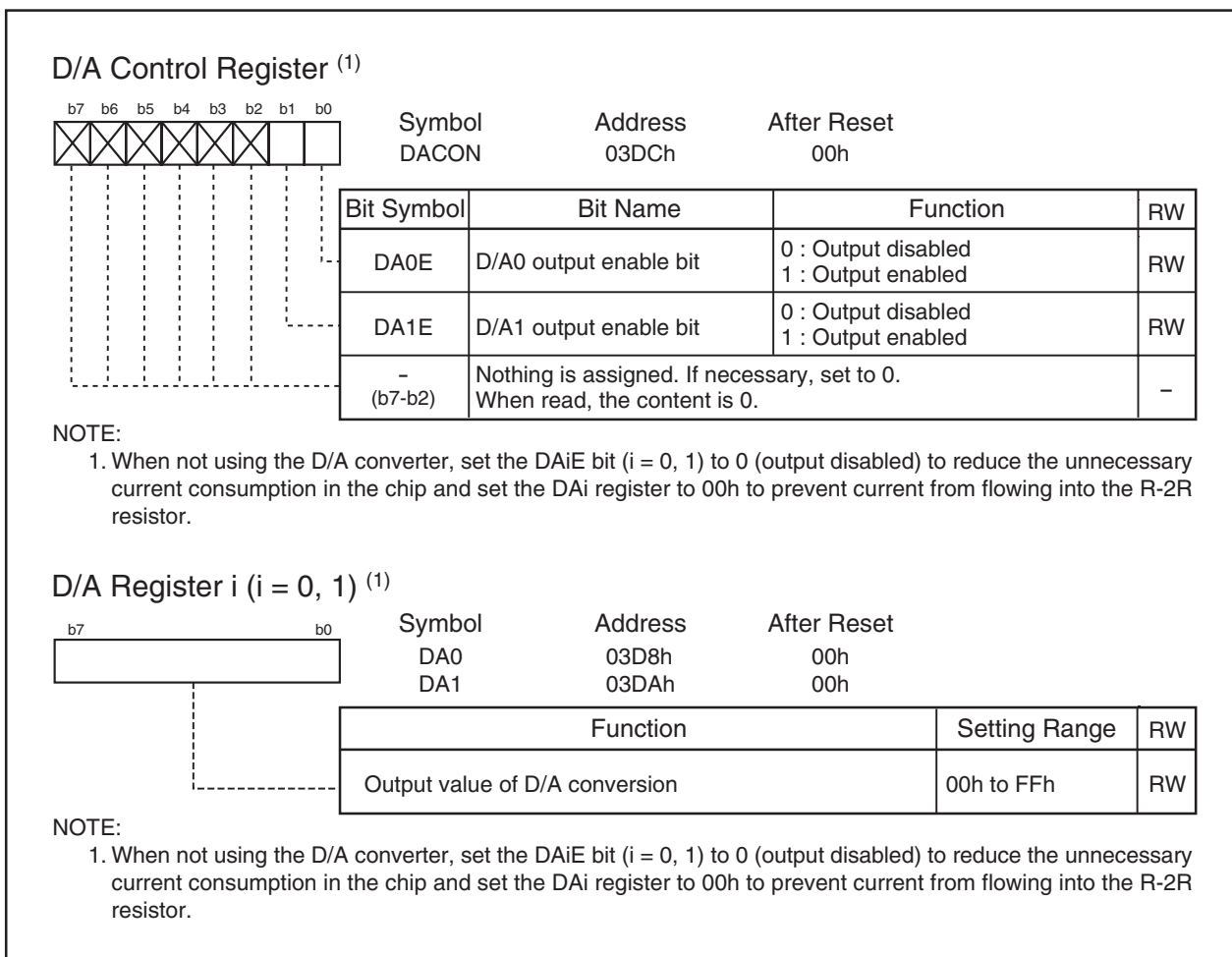


Figure 17.2 Registers DACON, DA0, and DA1

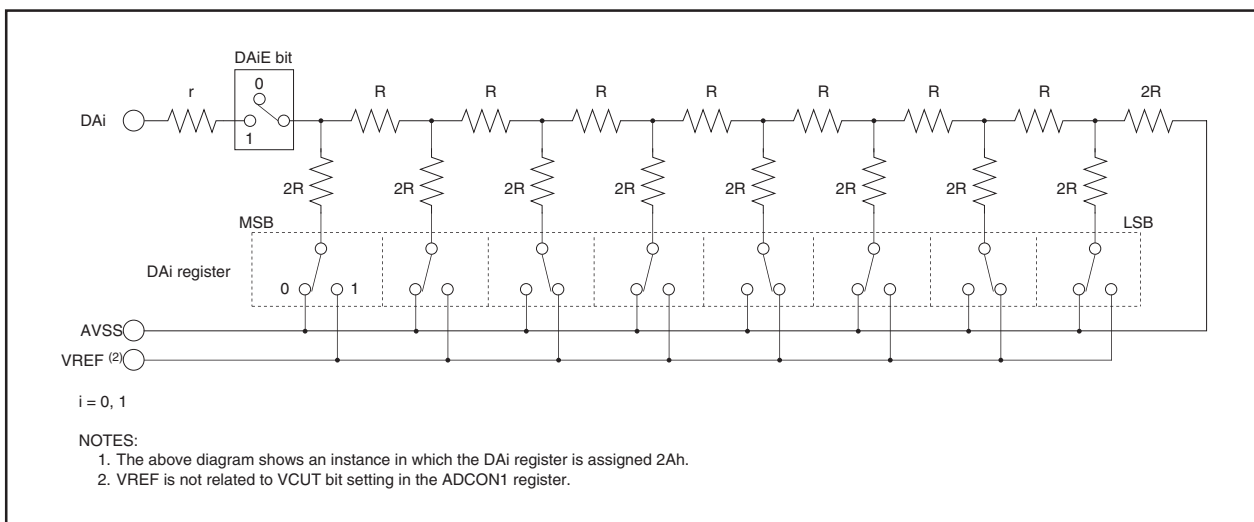


Figure 17.3 D/A Converter Equivalent Circuit

18. CRC Calculation

The Cyclic Redundancy Check (CRC) operation detects an error in data blocks. The MCU uses a generator polynomial of CRC-CCITT ($X^{16} + X^{12} + X^5 + 1$) to generate CRC code.

The CRC code consists of 16 bits which are generated for each data block in given length, separated in 8-bit unit. After the initial value is set in the CRCD register, the CRC code is set in that register each time one byte of data is written to the CRCIN register. CRC code generation for one-byte data is finished in two cycles.

Figure 18.1 shows the CRC Circuit Block Diagram. Figure 18.2 shows the CRC-related registers. Figure 18.3 shows the calculation example using the CRC operation.

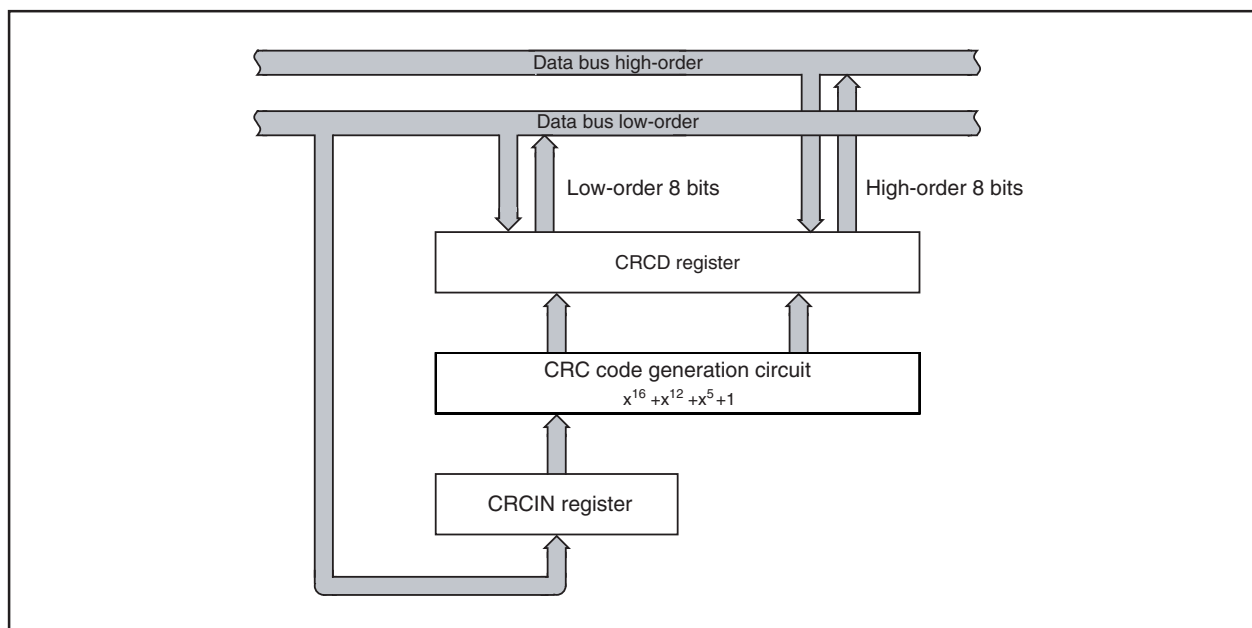


Figure 18.1 CRC Circuit Block Diagram

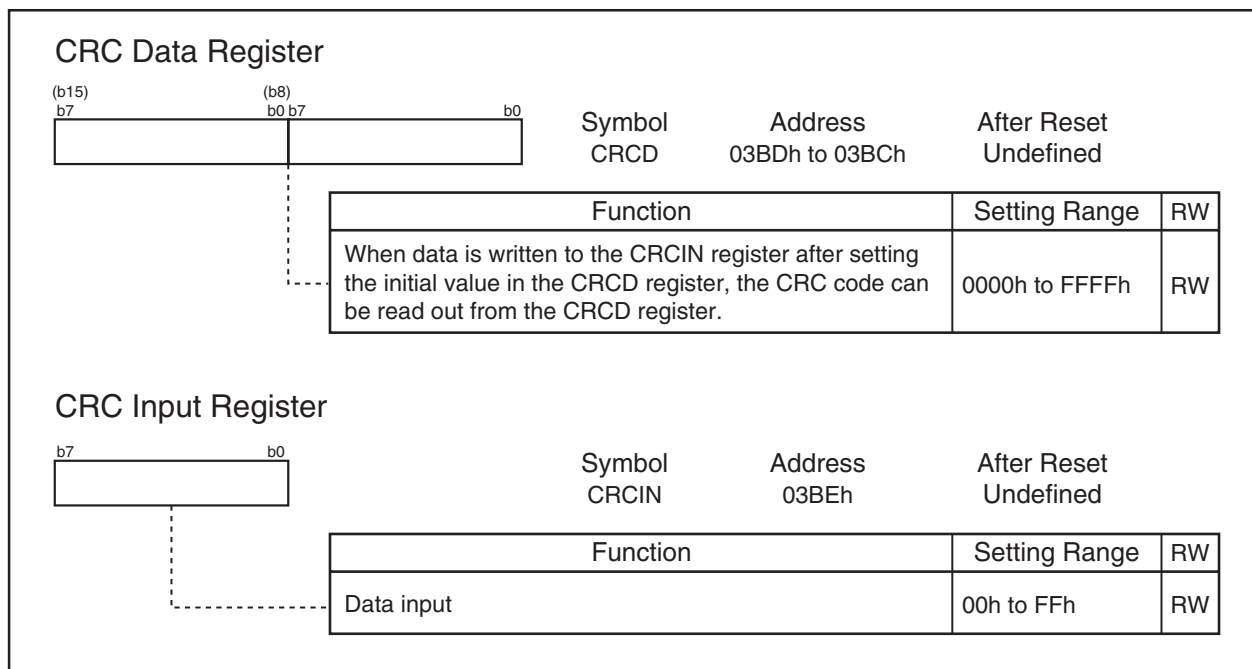


Figure 18.2 Registers CRCD and CRCIN

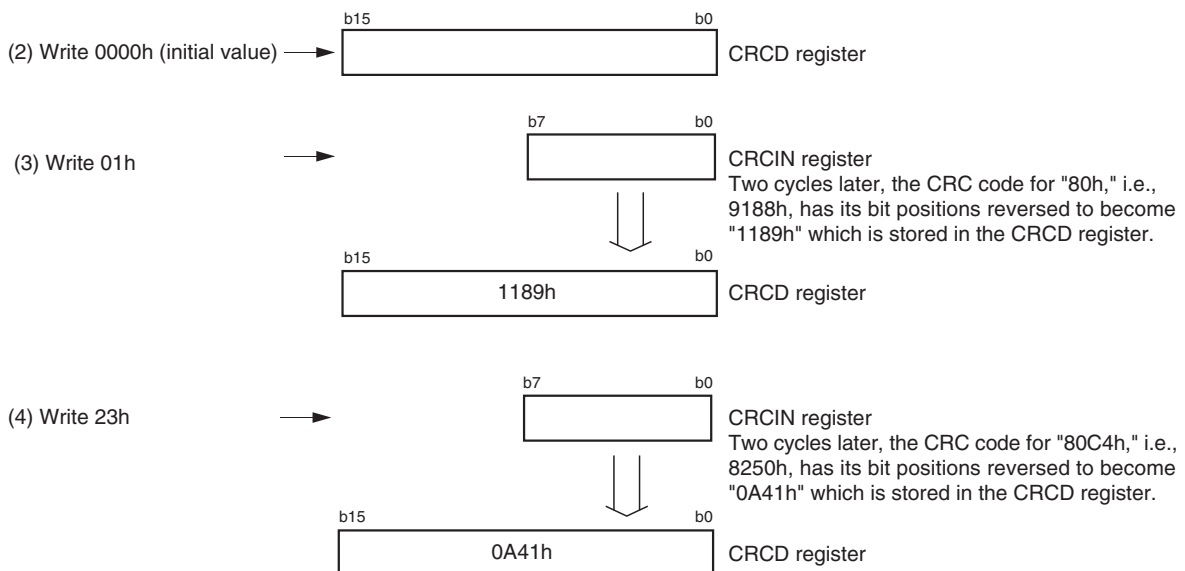
Setup procedure and CRC operation when generating CRC code "80C4h"

- CRC operation performed by the M16C

CRC code: Remainder of a division in which the value written to the CRCIN register with its bit positions reversed is divided by the generator polynomial
 Generator polynomial: $X^6 + X^{12} + X^5 + 1$ (1 0001 0000 0010 0001b)

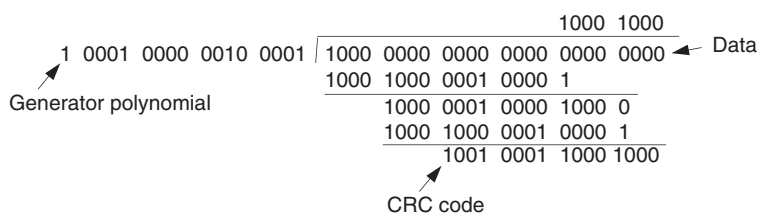
- Setting procedure

(1) Reverse the bit positions of the value "80C4h" by program in 1-byte unit.
 "80h" → "01h", "C4h" → "23h"



- Details of CRC operation

As shown in (3) above, bit position of "01h" (00000001b) written to the CRCIN register is inversed and becomes "10000000b". Add "1000 0000 0000 0000 0000 0000b", as "10000000b" plus 16 digits, to "0000 0000 0000 0000 0000 0000b", as "0000 0000 0000 0000b" plus 8 digits as the default value of the CRCD register to perform the modulo-2 division.



Modulo-2 operation is operation that complies with the law given below.

0 + 0 = 0
 0 + 1 = 1
 1 + 0 = 1
 1 + 1 = 0
 -1 = 1

"0001 0001 1000 1001b (1189h)", the remainder "1001 0001 1000 1000b (9188h)" with inversed bit position, can be read from the CRCD register.

When going on to (4) above, "23h (00100011b)" written in the CRCIN register is inversed and becomes "11000100b". Add "1100 0100 0000 0000 0000 0000b", as "11000100b" plus 16 digits, to "1001 0001 1000 1000 0000 0000b", as "1001 0001 1000 1000b" plus 8 digits as a remainder of (3) left in the CRCD register to perform the modulo-2 division. "0000 1010 0100 0001b (0A41h)", the remainder with inversed bit position, can be read from CRCD register.

Figure 18.3 CRC Calculation

19. CAN Module

The CAN (Controller Area Network) module for the M16C/6N Group (M16C/6N5) of MCUs is a communication controller implementing the CAN 2.0B protocol. The M16C/6N Group (M16C/6N5) contains one CAN module which can transmit and receive messages in both standard (11-bit) ID and extended (29-bit) ID formats.

Figure 19.1 shows the CAN Module Block Diagram.

External CAN bus driver and receiver are required.

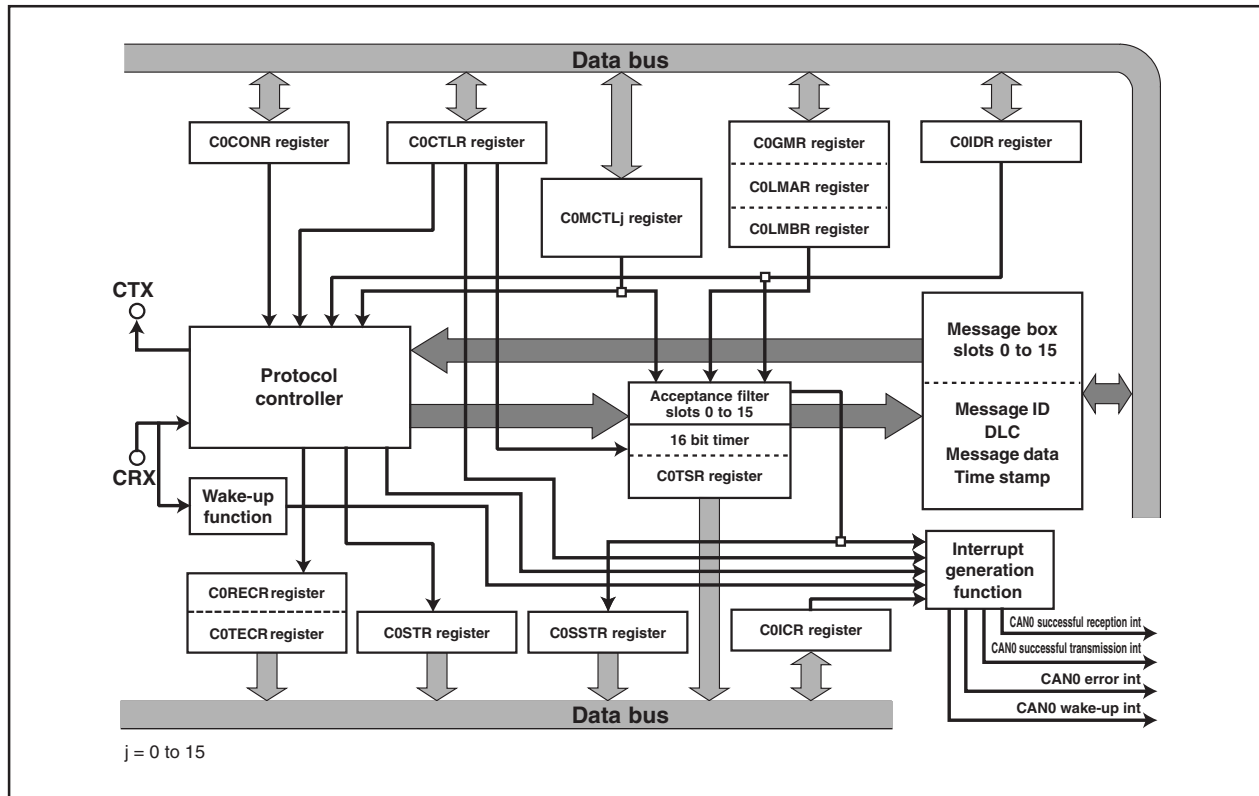


Figure 19.1 CAN Module Block Diagram

CTX/CRX:	CAN I/O pins.
Protocol controller:	This controller handles the bus arbitration and the CAN protocol services, i.e. bit timing, stuffing, error status etc.
Message box:	This memory block consists of 16 slots that can be configured either as transmitter or receiver. Each slot contains an individual ID, data length code, a data field (8 bytes), and a time stamp.
Acceptance filter:	This block performs filtering operation for received messages. For the filtering operation, the COGMR register, the COLMAR register, or the COLMBR register is used.
16 bit timer:	Used for the time stamp function. When the received message is stored in the message memory, the timer value is stored as a time stamp.
Wake-up function:	CAN0 wake-up interrupt request is generated by a message from the CAN bus.
Interrupt generation function:	The interrupt requests are generated by the CAN module. CAN0 successful reception interrupt, CAN0 successful transmission interrupt, CAN0 error interrupt, and CAN0 wake-up interrupt.

19.1 CAN Module-Related Registers

The CAN0 module has the following registers.

19.1.1 CAN0 Message Box

A CAN module is equipped with 16 slots (16 bytes or 8 words each). Slots 14 and 15 can be used as Basic CAN.

- Priority of the slots: The smaller the number of the slot, the higher the priority, in both transmission and reception.
- A program can define whether a slot is defined as transmitter or receiver.

19.1.2 Acceptance Mask Registers

A CAN module is equipped with 3 masks for the acceptance filter.

- CAN0 global mask register (C0GMR register: 6 bytes)
Configuration of the masking condition for acceptance filtering processing to slots 0 to 13
- CAN0 local mask A register (COLMAR register: 6 bytes)
Configuration of the masking condition for acceptance filtering processing to slot 14
- CAN0 local mask B register (COLMBR register: 6 bytes)
Configuration of the masking condition for acceptance filtering processing to slot 15

19.1.3 CAN SFR Registers

- CAN0 message control register j (j = 0 to 15) (C0MCTLj register: 8 bits × 16)
Control of transmission and reception of a corresponding slot
- CANi control register (i = 0, 1) (CiCTLR register: 16 bits)
Control of the CAN protocol
- CAN0 status register (C0STR register: 16 bits)
Indication of the protocol status
- CAN0 slot status register (C0SSTR register: 16 bits)
Indication of the status of contents of each slot
- CAN0 interrupt control register (C0ICR register: 16 bits)
Selection of “interrupt enabled or disabled” for each slot
- CAN0 extended ID register (C0IDR register: 16 bits)
Selection of ID format (standard or extended) for each slot
- CAN0 configuration register (C0CONR register: 16 bits)
Configuration of the bus timing
- CAN0 receive error count register (C0RECR register: 8 bits)
Indication of the error status of the CAN module in reception: the counter value is incremented or decremented according to the error occurrence.
- CAN0 transmit error count register (C0TECR register: 8 bits)
Indication of the error status of the CAN module in transmission: the counter value is incremented or decremented according to the error occurrence.
- CAN0 time stamp register (C0TSR register: 16 bits)
Indication of the value of the time stamp counter
- CAN0 acceptance filter support register (C0AFS register: 16 bits)
Decoding the received ID for use by the acceptance filter support unit

Explanation of each register is given below.

19.2 CAN0 Message Box

Table 19.1 shows the CAN0 Message Box Memory Mapping.

It is possible to access to the message box in byte or word.

Mapping of the message contents differs from byte access to word access. Byte access or word access can be selected by the MsgOrder bit of the C0CTRL register.

Table 19.1 CAN0 Message Box Memory Mapping

Address	Message Content (Memory Mapping)	
	Byte Access (8 bits)	Word Access (16 bits)
$0060h + n \times 16 + 0$	SID10 to SID6	SID5 to SID0
$0060h + n \times 16 + 1$	SID5 to SID0	SID10 to SID6
$0060h + n \times 16 + 2$	EID17 to EID14	EID13 to EID6
$0060h + n \times 16 + 3$	EID13 to EID6	EID17 to EID14
$0060h + n \times 16 + 4$	EID5 to EID0	Data length code (DLC)
$0060h + n \times 16 + 5$	Data length code (DLC)	EID5 to EID0
$0060h + n \times 16 + 6$	Data byte 0	Data byte 1
$0060h + n \times 16 + 7$	Data byte 1	Data byte 0
⋮	⋮	⋮
$0060h + n \times 16 + 13$	Data byte 7	Data byte 6
$0060h + n \times 16 + 14$	Time stamp high-order byte	Time stamp low-order byte
$0060h + n \times 16 + 15$	Time stamp low-order byte	Time stamp high-order byte

n = 0 to 15: the number of the slot

Figures 19.2 and 19.3 show the Bit Mapping in Byte Access and Word Access. The content of each slot remains unchanged unless transmission or reception of a new message is performed.

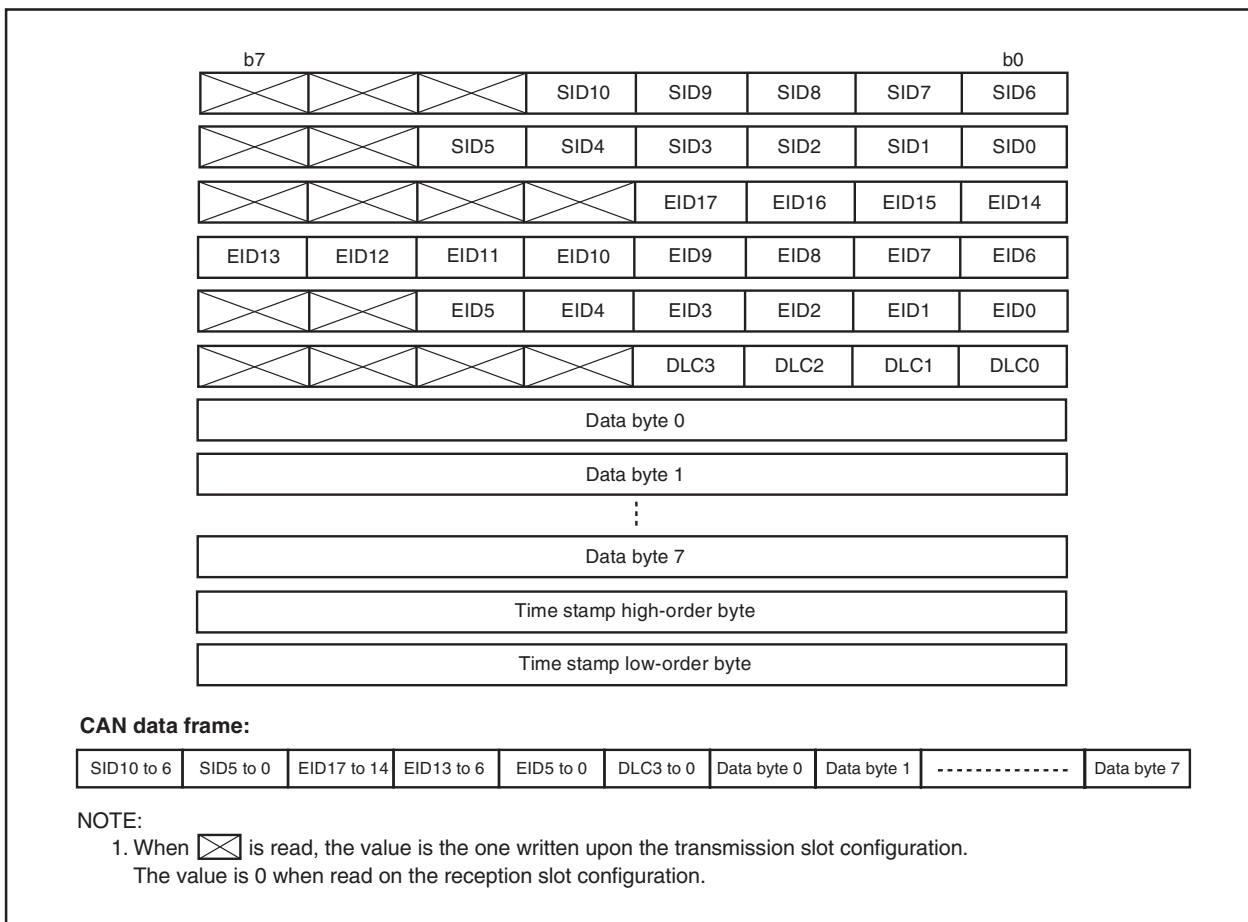


Figure 19.2 Bit Mapping in Byte Access

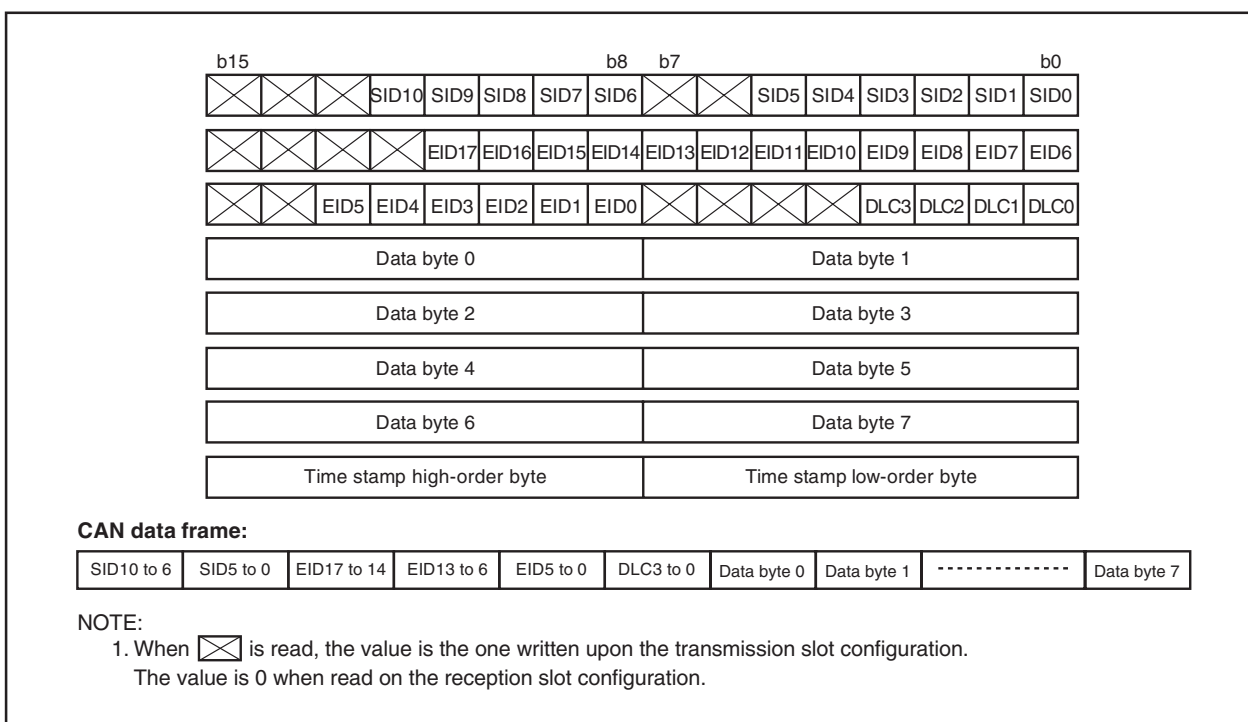


Figure 19.3 Bit Mapping in Word Access

19.4 CAN SFR Registers

Figures 19.6 to 19.12 show the CAN SFR registers.

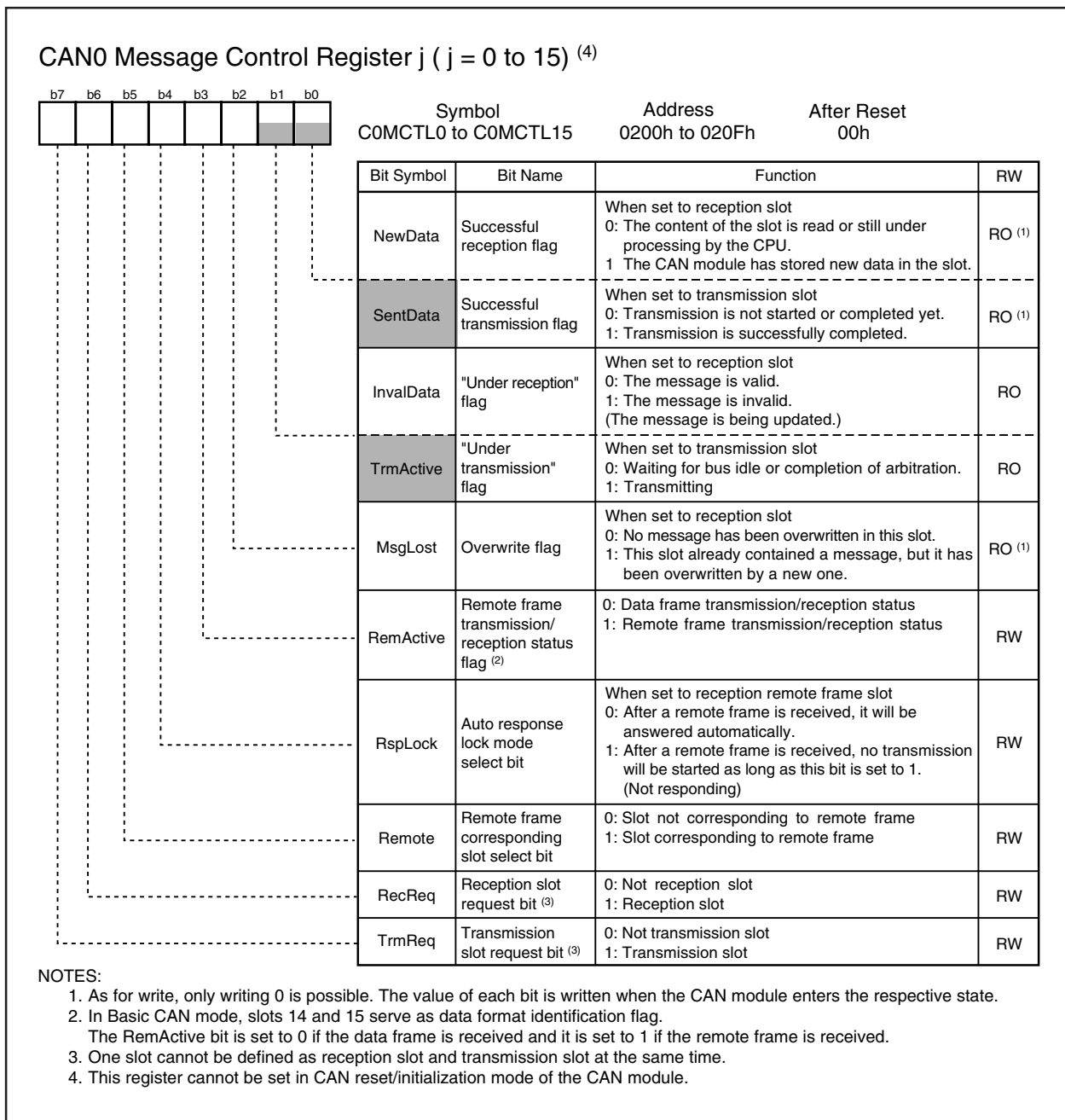


Figure 19.6 C0MCTLj Register

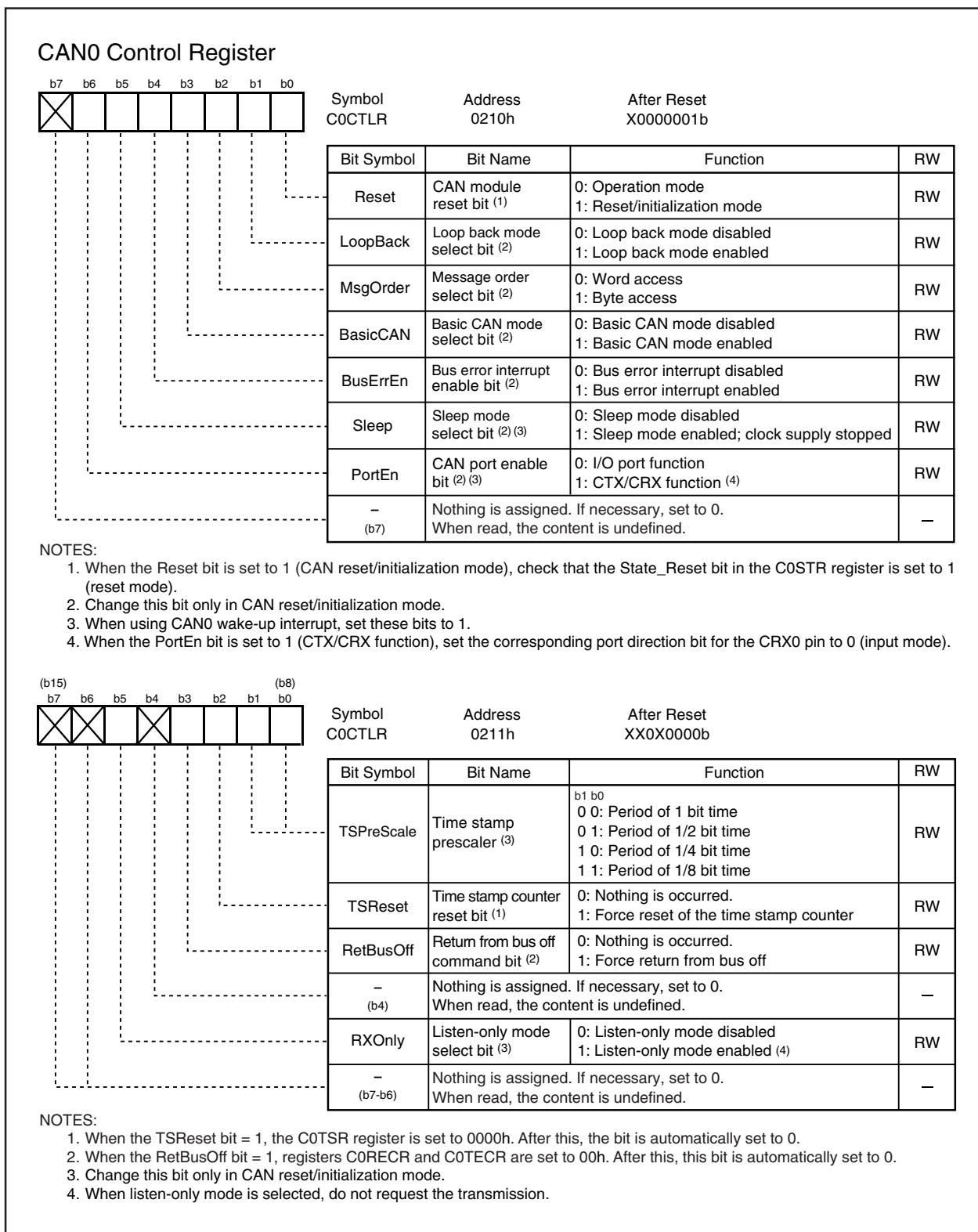


Figure 19.7 C0CTRL Register

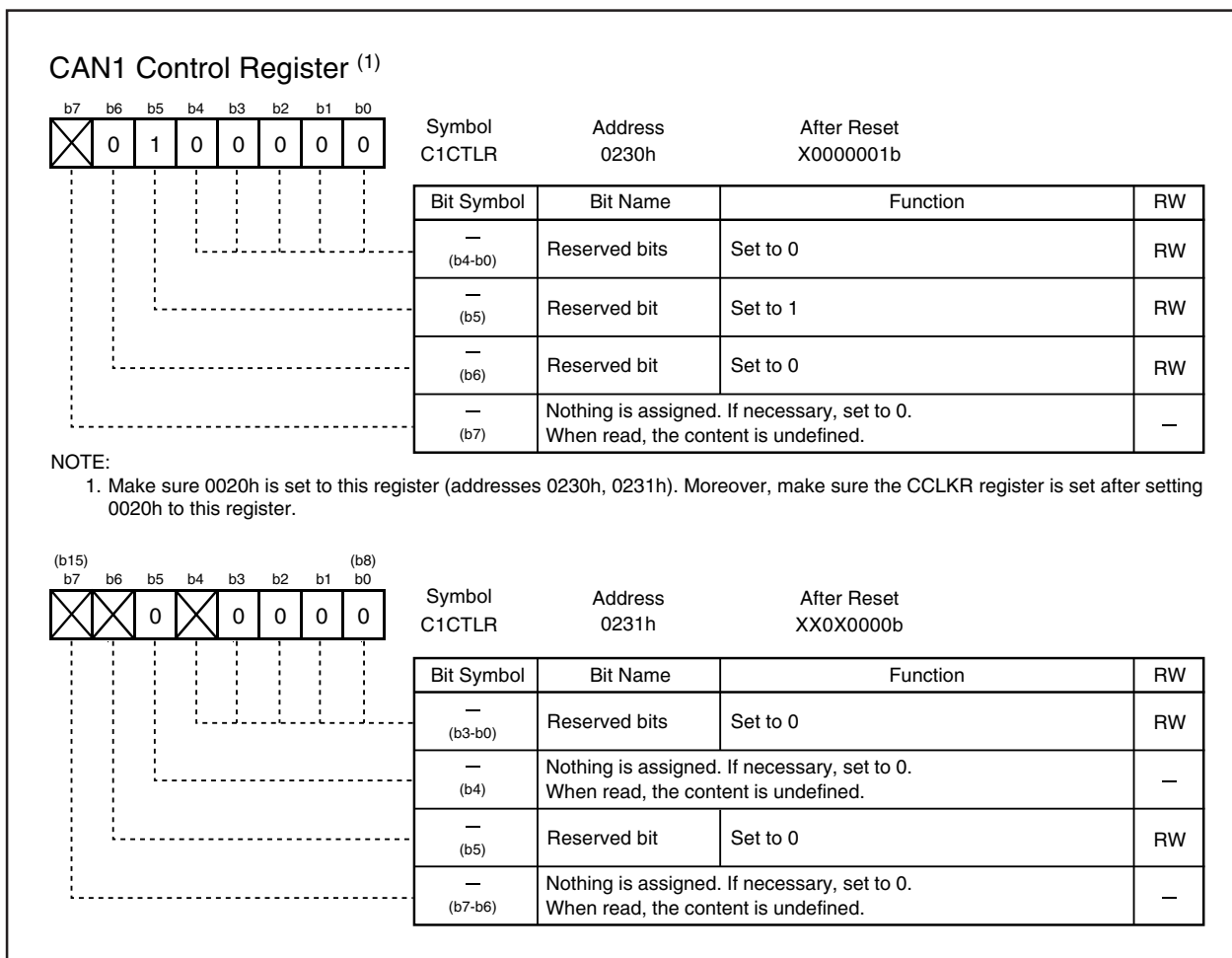


Figure 19.8 C1CTRL Register

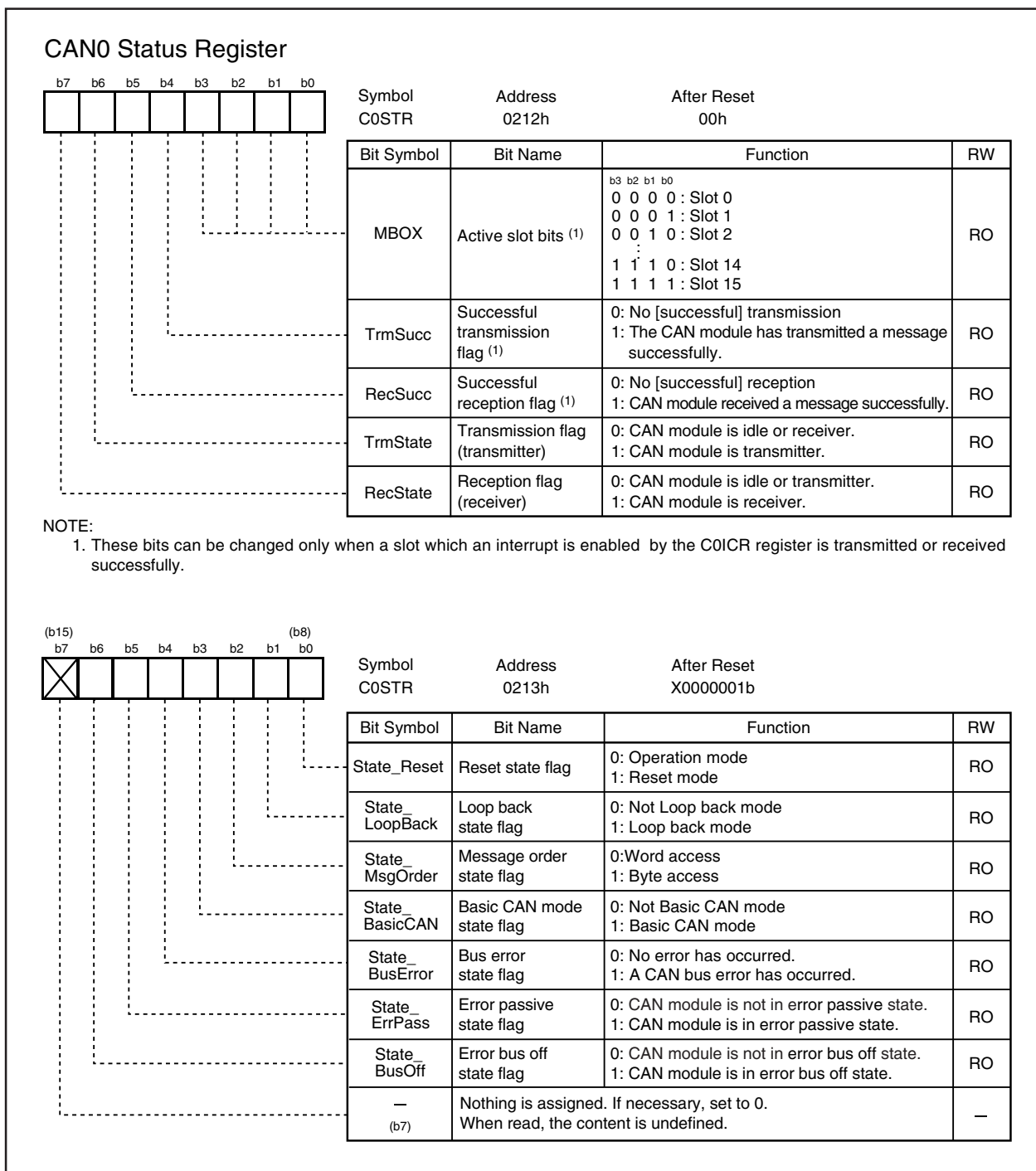


Figure 19.9 C0STR Register

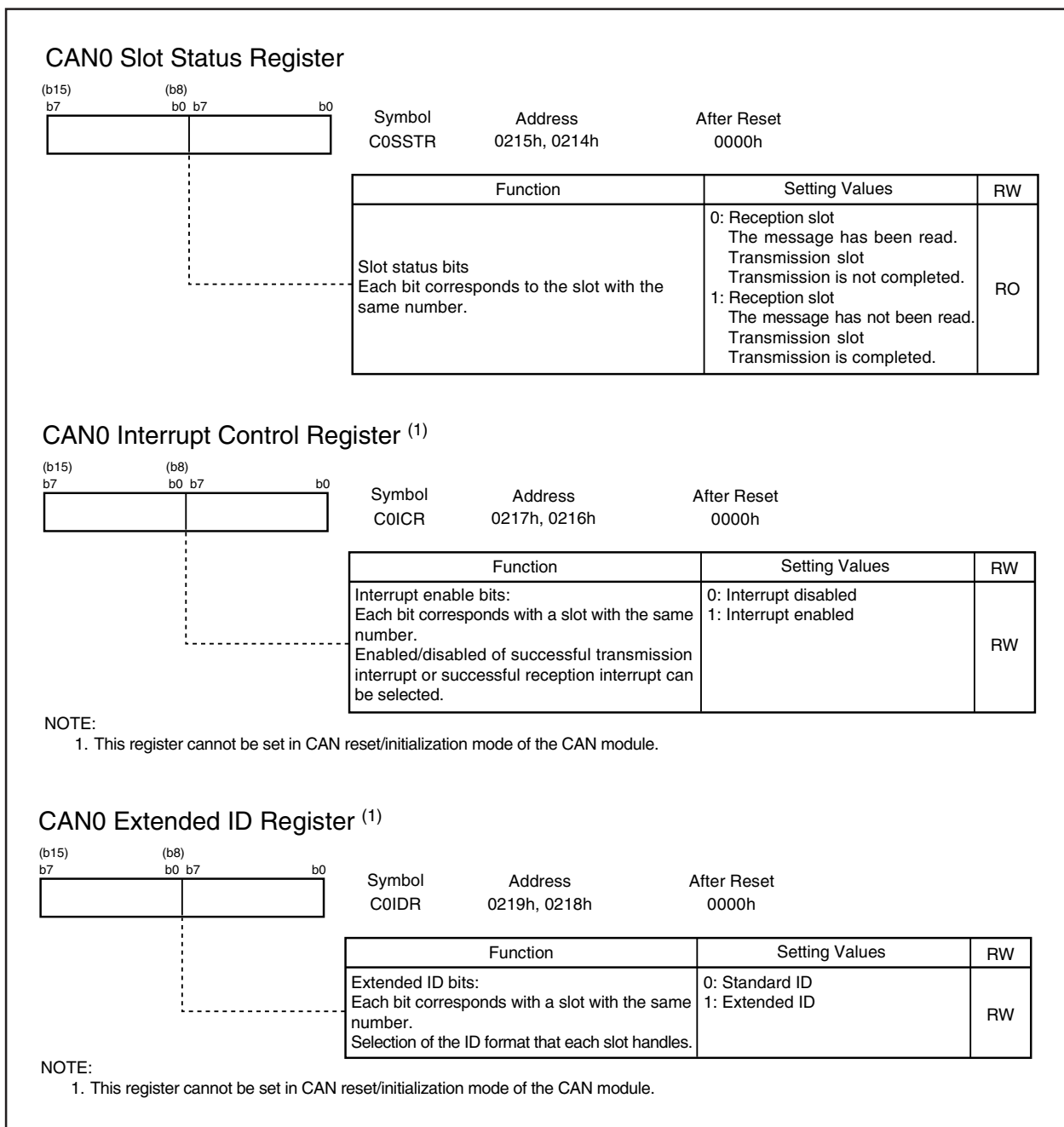


Figure 19.10 Registers C0SSTR, C0ICR, and C0IDR

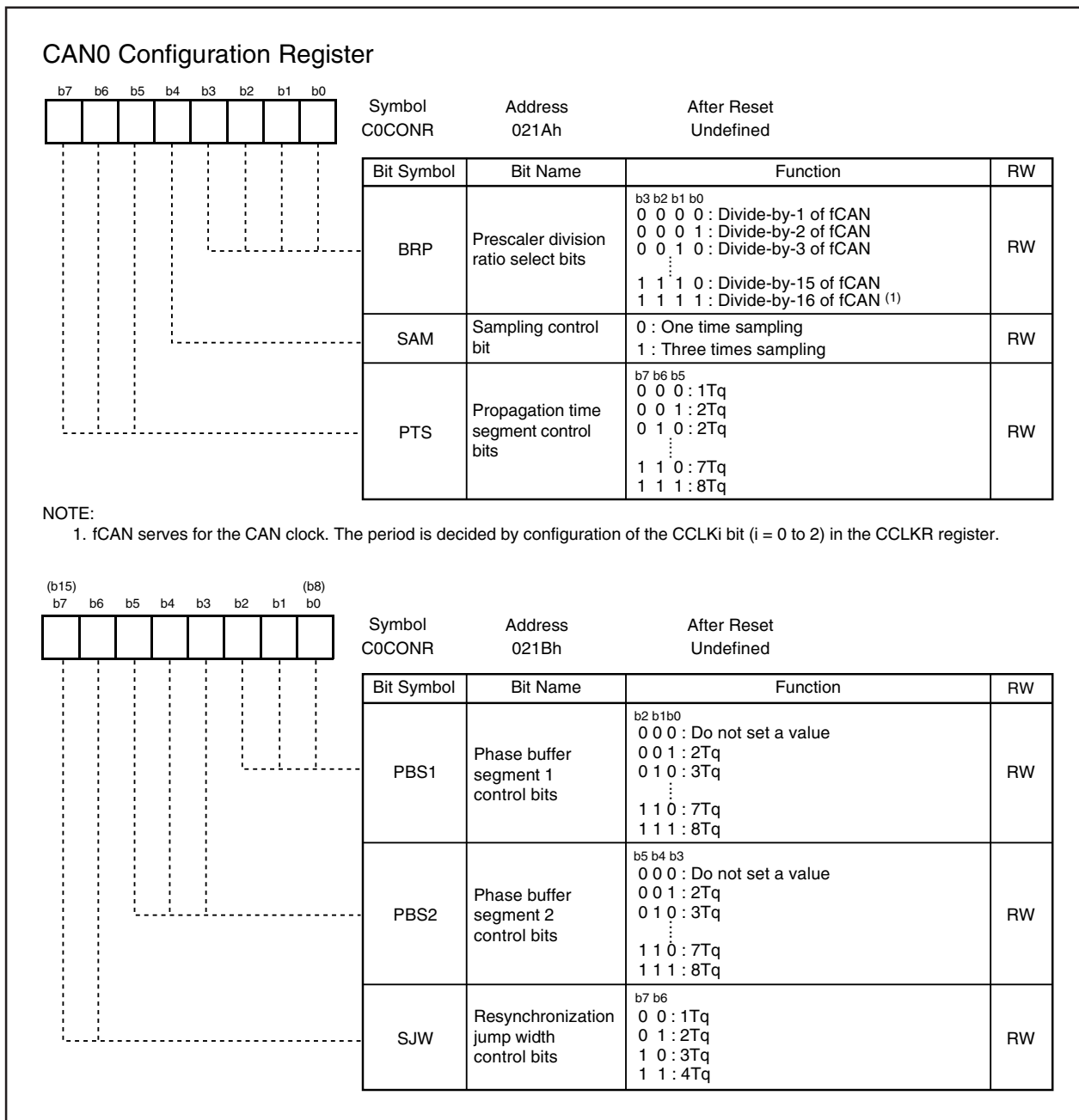


Figure 19.11 C0CONR Register

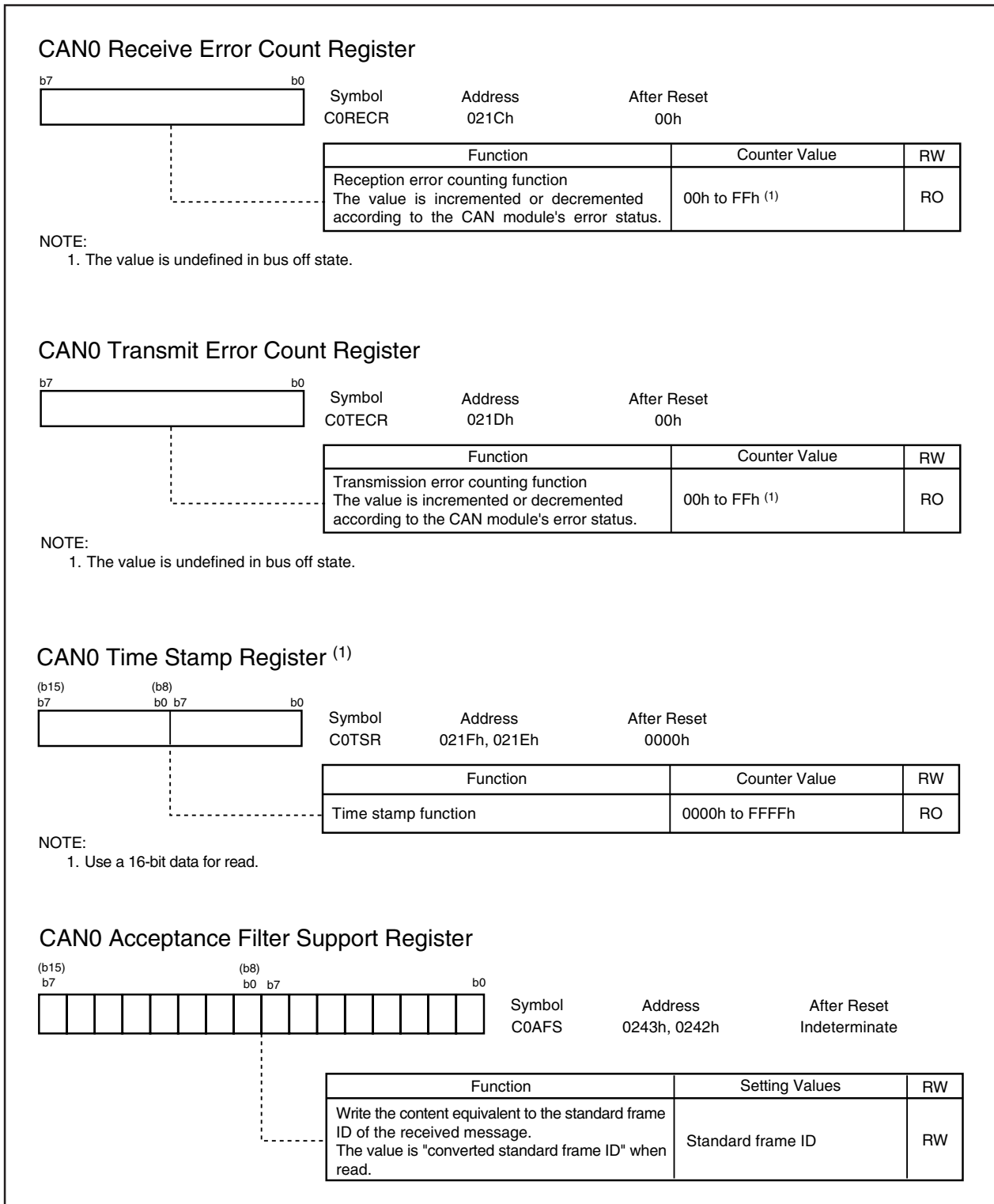


Figure 19.12 Registers C0RECR, C0TECR, C0TSR, and C0AFS

19.5 Operational Modes

The CAN module has the following four operational modes.

- CAN Reset/Initialization Mode
- CAN Operation Mode
- CAN Sleep Mode
- CAN Interface Sleep Mode

Figure 19.13 shows the Transition between Operational Modes.

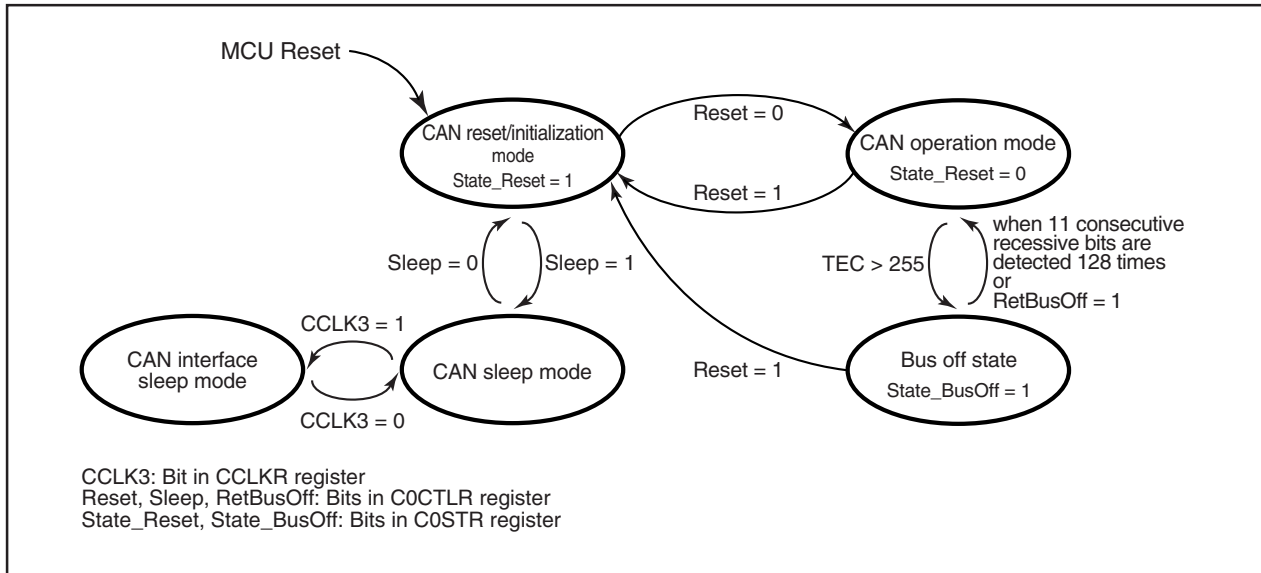


Figure 19.13 Transition between Operational Modes

19.5.1 CAN Reset/Initialization Mode

CAN reset/initialization mode is activated upon MCU reset or by setting the Reset bit in the COCTLR register to 1. If the Reset bit is set to 1, check that the State_Reset bit in the COSTR register is set to 1.

Entering CAN reset/initialization mode initiates the following functions by the module:

- CAN communication is impossible.
- When CAN reset/initialization mode is activated during an ongoing transmission in operation mode, the module suspends the mode transition until completion of the transmission (successful, arbitration loss, or error detection). Then, the State_Reset bit is set to 1, and CAN reset/initialization mode is activated.
- Registers COMCTLj (j = 0 to 15), COSTR, COICR, COIDR, CORECR, COTEER, and COTSR are initialized. All these registers are locked to prevent CPU modification.
- Registers COCTLR, COCONR, COGMR, COLMAR, and COLMBR, and the CAN0 message box retain their contents and are available for CPU access.

19.5.2 CAN Operation Mode

CAN operation mode is activated by setting the Reset bit in the C0CTRL register to 0. If the Reset bit is set to 0, check that the State_Reset bit in the C0STR register is set to 0.

If 11 consecutive recessive bits are detected after entering CAN operation mode, the module initiates the following functions:

- The module's communication functions are released and it becomes an active node on the network and may transmit and receive CAN messages.
- Release the internal fault confinement logic including receive and transmit error counters. The module may leave CAN operation mode depending on the error counts.

Within CAN operation mode, the module may be in three different sub modes, depending on which type of communication functions are performed:

- Module idle : The modules receive and transmit sections are inactive.
- Module receives : The module receives a CAN message sent by another node.
- Module transmits : The module transmits a CAN message. The module may receive its own message simultaneously when the LoopBack bit in the C0CTRL register = 1 (Loop back mode enabled).

Figure 19.14 shows the Sub Modes of CAN Operation Mode.

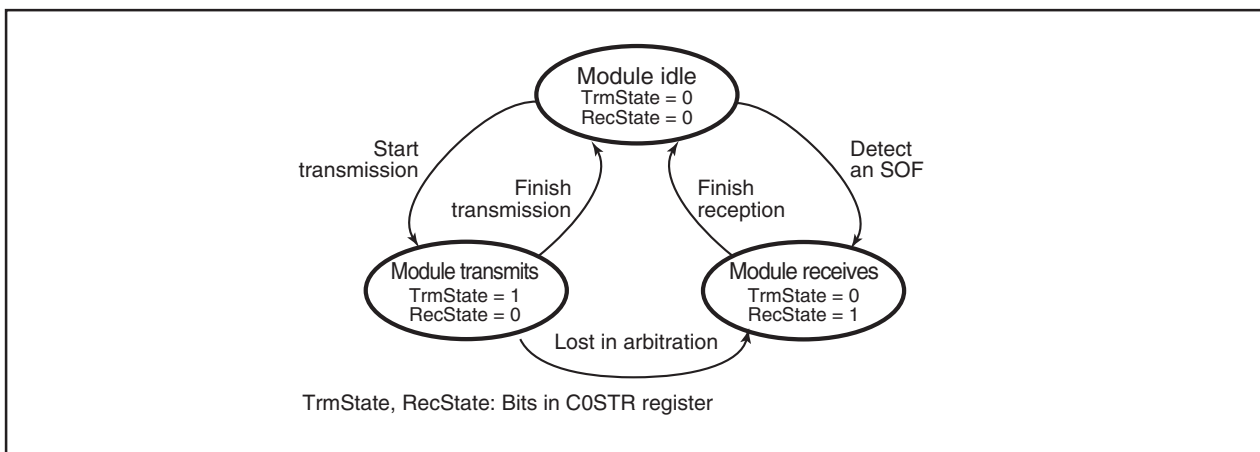


Figure 19.14 Sub Modes of CAN Operation Mode

19.5.3 CAN Sleep Mode

CAN sleep mode is activated by setting the Sleep bit to 1 in the C0CTRL register. It should never be activated from the CAN operation mode but only via CAN reset/initialization mode.

Entering CAN sleep mode instantly stops the clock supply to the module and thereby reduces power dissipation.

19.5.4 CAN Interface Sleep Mode

CAN interface sleep mode is activated by setting the CCLK3 bit in the CCLKR register to 1. It should never be activated but only via CAN sleep mode.

Entering CAN interface sleep mode instantly stops the clock supply to the CPU Interface in the module and thereby reduces power dissipation.

19.5.5 Bus Off State

The bus off state is entered according to the fault confinement rules of the CAN specification. When returning to CAN operation mode from the bus off state, the module has the following two cases. In this time, the value of any CAN registers, except registers C0STR, C0RECR and C0TECR, does not change.

(1) When 11 consecutive recessive bits are detected 128 times

The module enters instantly into error active state and the CAN communication becomes possible immediately.

(2) When the RetBusOff bit in the C0CTLR register = 1 (Force return from buss off)

The module enters instantly into error active state, and the CAN communication becomes possible again after 11 consecutive recessive bits are detected.

19.6 CAN Module System Clock Configuration

The M16C/6N Group (M16C/6N5) has a CAN module system clock select circuit.

Configuration of the CAN module system clock can be done through manipulating the CCLKR register and the BRP bit in the C0CONR register.

For the CCLKR register, refer to **8. Clock Generation Circuit**.

Figure 19.15 shows the CAN Module System Clock Generation Circuit Block Diagram.

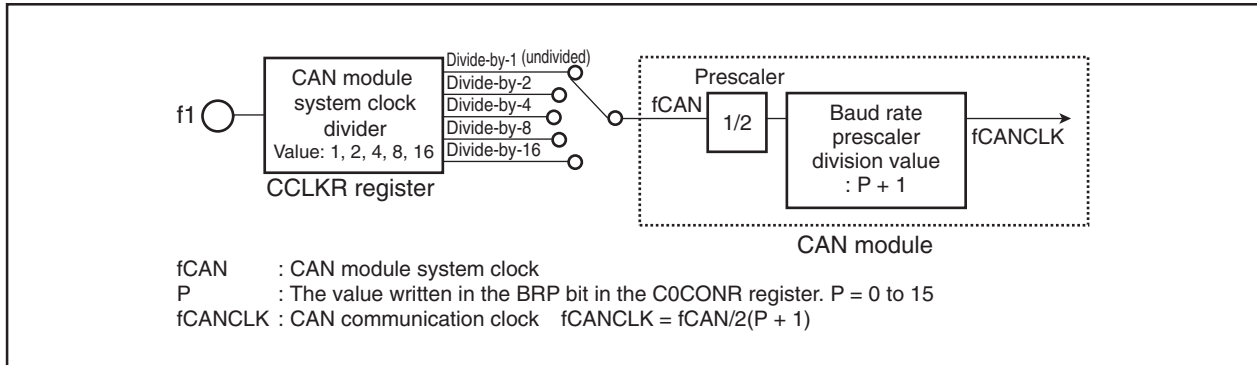


Figure 19.15 CAN Module System Clock Generation Circuit Block Diagram

19.7 Bit Timing Configuration

The bit time consists of the following four segments:

- Synchronization segment (SS)

This serves for monitoring a falling edge for synchronization.

- Propagation time segment (PTS)

This segment absorbs physical delay on the CAN network which amounts to double the total sum of delay on the CAN bus, the input comparator delay, and the output driver delay.

- Phase buffer segment 1 (PBS1)

This serves for compensating the phase error. When the falling edge of the bit falls later than expected, the segment can become longer by the maximum of the value defined in SJW.

- Phase buffer segment 2 (PBS2)

This segment has the same function as the phase buffer segment 1. When the falling edge of the bit falls earlier than expected, the segment can become shorter by the maximum of the value defined in SJW.

Figure 19.16 shows the Bit Timing.

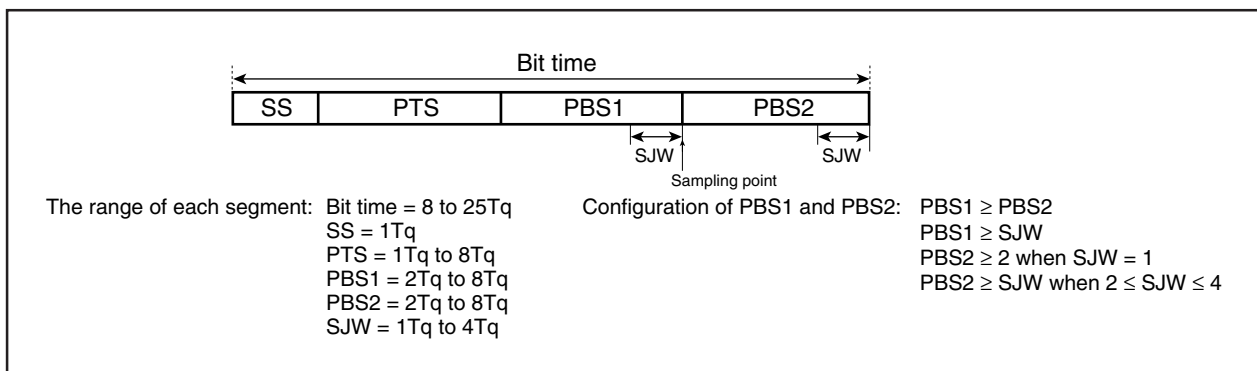


Figure 19.16 Bit Timing

19.8 Bit-rate

Bit-rate depends on f_1 , the division value of the CAN module system clock, the division value of the baud rate prescaler, and the number of T_q of one bit.

Table 19.2 shows the Examples of Bit-rate.

Table 19.2 Examples of Bit-rate

Bit-rate	24 MHz ⁽²⁾	20 MHz	16 MHz	10 MHz	8 MHz
1 Mbps	12 T_q (1)	10 T_q (1)	8 T_q (1)	-	-
500 kbps	8 T_q (3)	10 T_q (2)	8 T_q (2)	10 T_q (1)	8 T_q (1)
	12 T_q (2)	20 T_q (1)	16 T_q (1)	-	-
	24 T_q (1)	-	-	-	-
125 kbps	8 T_q (12)	8 T_q (10)	8 T_q (8)	8 T_q (5)	8 T_q (4)
	12 T_q (8)	10 T_q (8)	16 T_q (4)	10 T_q (4)	16 T_q (2)
	16 T_q (6)	16 T_q (5)	-	20 T_q (2)	-
	24 T_q (4)	20 T_q (4)	-	-	-
83.3 kbps	8 T_q (18)	8 T_q (15)	8 T_q (12)	10 T_q (6)	8 T_q (6)
	12 T_q (12)	10 T_q (12)	16 T_q (6)	20 T_q (3)	16 T_q (3)
	16 T_q (9)	20 T_q (6)	-	-	-
	24 T_q (6)	-	-	-	-
33.3 kbps	10 T_q (36)	10 T_q (30)	8 T_q (30)	10 T_q (15)	8 T_q (15)
	12 T_q (30)	20 T_q (15)	10 T_q (24)	-	10 T_q (12)
	20 T_q (18)	-	16 T_q (15)	-	20 T_q (6)
	24 T_q (15)	-	20 T_q (12)	-	-

NOTES:

1. The number in () indicates a value of “fCAN division value” multiplied by “baud rate prescaler division value”.
2. 24 MHz is available Normal-ver. only.

19.8.1 Calculation of Bit-rate

$$f_1$$

$$2 \times \text{“fCAN division value”}^{(1)} \times \text{“baud rate prescaler division value”}^{(2)} \times \text{“number of } T_q \text{ of one bit”}$$

NOTES:

1. fCAN division value = 1, 2, 4, 8, 16
fCAN division value: a value selected in the CCLKR register
2. Baud rate prescaler division value = $P + 1$ (P: 0 to 15)
P: a value selected in the BRP bit in the C0CONR register

19.9 Acceptance Filtering Function and Masking Function

These functions serve the users to select and receive a facultative message. Registers COGMR, COLMAR, and COLMBR can perform masking to the standard ID and the extended ID of 29 bits. The COGMR register corresponds to slots 0 to 13, the COLMAR register corresponds to slot 14, and the COLMBR register corresponds to slot 15. The masking function becomes valid to 11 bits or 29 bits of a received ID according to the value in the corresponding slot of the COIDR register upon acceptance filtering operation. When the masking function is employed, it is possible to receive a certain range of IDs.

Figure 19.17 shows the Correspondence of Mask Registers and Slots, Figure 19.18 shows the Acceptance Function.

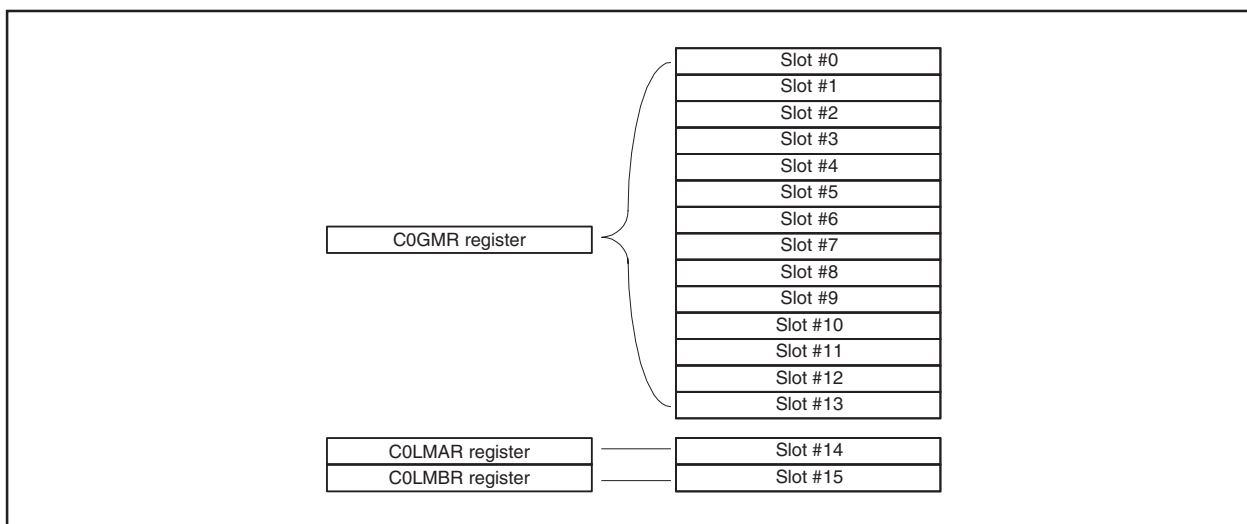


Figure 19.17 Correspondence of Mask Registers to Slots

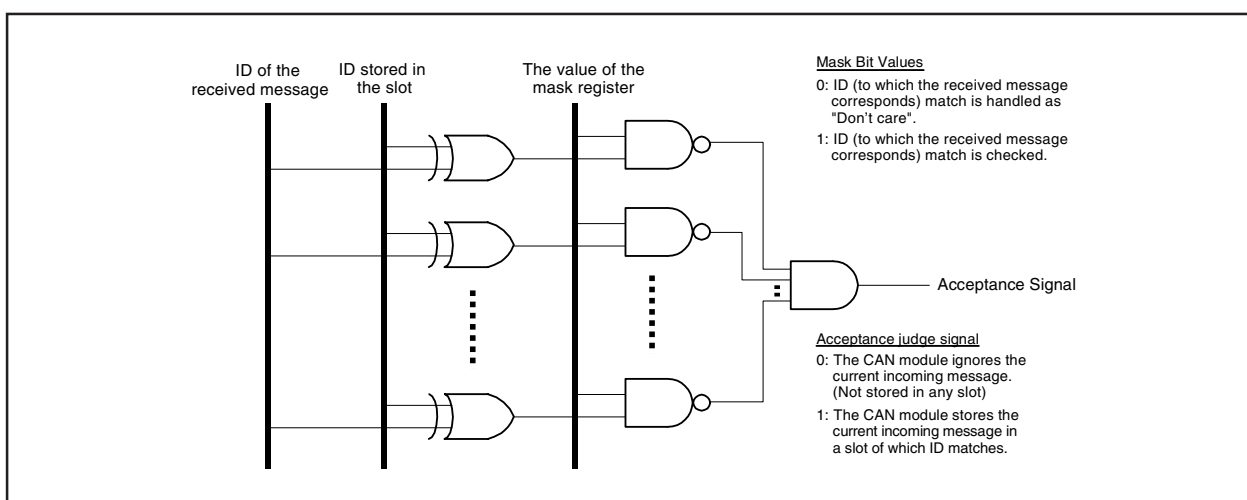


Figure 19.18 Acceptance Function

When using the acceptance function, note the following points.

- (1) When one ID is defined in two slots, the one with a smaller number alone is valid.
- (2) When it is configured that slots 14 and 15 receive all IDs with Basic CAN mode, slots 14 and 15 receive all IDs which are not stored into slots 0 to 13.

19.10 Acceptance Filter Support Unit (ASU)

The acceptance filter support unit has a function to judge valid/invalid of a received ID through table search. The IDs to receive are registered in the data table; a received ID is stored in the C0AFS register, and table search is performed with a decoded received ID. The acceptance filter support unit can be used for the IDs of the standard frame only.

The acceptance filter support unit is valid in the following cases.

- When the ID to receive cannot be masked by the acceptance filter.
(Example) IDs to receive: 078h, 087h, 111h
- When there are too many IDs to receive; it would take too much time to filter them by software.

Figure 19.19 shows the Write/Read of C0AFS Register in Word Access.

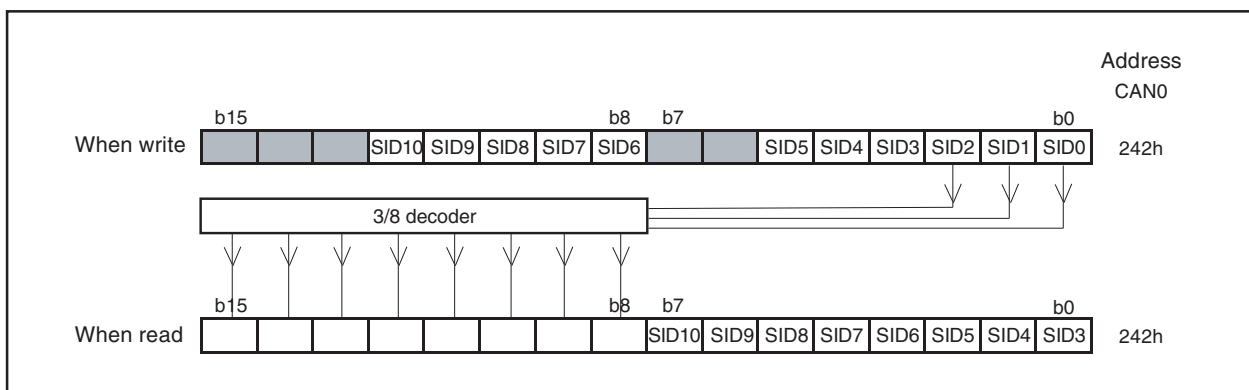


Figure 19.19 Write/read of C0AFS Register in Word Access

19.11 Basic CAN Mode

When the BasicCAN bit in the C0CTRL register is set to 1 (Basic CAN mode enabled), slots 14 and 15 correspond to Basic CAN mode. In normal operation mode, each slot can handle only one type message at a time, either a data frame or a remote frame by setting COMCTLj register (j = 0 to 15). However, in Basic CAN mode, slots 14 and 15 can receive both types of message at the same time.

When slots 14 and 15 are defined as reception slots in Basic CAN mode, received messages are stored in slots 14 and 15 alternately.

Which type of message has been received can be checked by the RemActive bit in the COMCTLj register. Figure 19.20 shows the Slots 14 and 15 Operation in Basic CAN Mode.

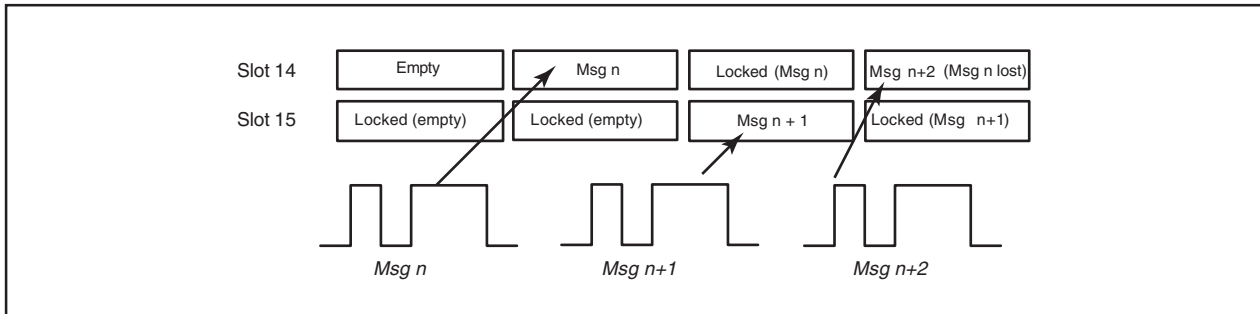


Figure 19.20 Slots 14 and 15 Operation in Basic CAN Mode

When using Basic CAN mode, note the following points.

- (1) Setting of Basic CAN mode has to be done in CAN reset/initialization mode.
- (2) Select the same ID for slots 14 and 15. Also, setting of registers COLMAR and COLMBR has to be the same.
- (3) Define slots 14 and 15 as reception slot only.
- (4) There is no protection available against message overwrite. A message can be overwritten by a new message.
- (5) Slots 0 to 13 can be used in the same way as in normal CAN operation mode.

19.12 Return from Bus Off Function

When the protocol controller enters bus off state, it is possible to make it forced return from bus off state by setting the RetBusOff bit in the C0CTRLR register to 1 (force return from bus off). At this time, the error state changes from bus off state to error active state. If the RetBusOff bit is set to 1, registers C0RECR and C0TECR are initialized and the State_BusOff bit in the C0STR register is set to 0 (CAN module is not in error bus off state). However, registers of the CAN module such as C0CONR register and the content of each slot are not initialized.

19.13 Time Stamp Counter and Time Stamp Function

When the C0TSR register is read, the value of the time stamp counter at the moment is read. The period of the time stamp counter reference clock is the same as that of 1 bit time that is configured by the C0CONR register. The time stamp counter functions as a free run counter.

The 1 bit time period can be divided by 1 (undivided), 2, 4 or 8 to produce the time stamp counter reference clock. Use the TSPreScale bit in the C0CTRLR register to select the divide-by-n value.

The time stamp counter is equipped with a register that captures the counter value when the protocol controller regards it as a successful reception. The captured value is stored when a time stamp value is stored in a reception slot.

19.14 Listen-Only Mode

When the RXOnly bit in the C0CTRLR register is set to 1, the module enters Listen-only mode.

In Listen-only mode, no transmission, such as data frames, error frames, and ACK response, is performed to bus.

When Listen-only mode is selected, do not request the transmission.

19.15 Reception and Transmission

Table 19.3 lists the CAN Reception and Transmission Mode Configuration.

Table 19.3 CAN Reception and Transmission Mode Configuration

TrmReq	RecReq	Remote	RspLock	Communication Mode of Slot
0	0	-	-	Communication environment configuration mode: configure the communication mode of the slot.
0	1	0	0	Configured as a reception slot for a data frame.
1	0	1	0	Configured as a transmission slot for a remote frame. (At this time the RemActive = 1.) After completion of transmission, this functions as a reception slot for a data frame. (At this time the RemActive = 0.) However, when an ID that matches on the CAN bus is detected before remote frame transmission, this immediately functions as a reception slot for a data frame.
1	0	0	0	Configured as a transmission slot for a data frame.
0	1	1	1/0	Configured as a reception slot for a remote frame. (At this time the RemActive = 1.) After completion of reception, this functions as a transmission slot for a data frame. (At this time the RemActive = 0.) However, transmission does not start as long as RspLock bit remains 1; thus no automatic response. Response (transmission) starts when the RspLock bit is set to 0.

TrmReq, RecReq, Remote, RspLock, RemActive, RspLock: Bits in COMCTLj register (j = 0 to 15)

When configuring a slot as a reception slot, note the following points.

- (1) Before configuring a slot as a reception slot, be sure to set the COMCTLj register to 00h.
- (2) A received message is stored in a slot that matches the condition first according to the result of reception mode configuration and acceptance filtering operation. Upon deciding in which slot to store, the smaller the number of the slot is, the higher priority it has.
- (3) In normal CAN operation mode, when a CAN module transmits a message of which ID matches, the CAN module never receives the transmitted data. In loop back mode, however, the CAN module receives back the transmitted data. In this case, the module does not return ACK.

When configuring a slot as a transmission slot, note the following points.

- (1) Before configuring a slot as a transmission slot, be sure to set the COMCTLj registers to 00h.
- (2) Set the TrmReq bit in the COMCTLj register to 0 (not transmission slot) before rewriting a transmission slot.
- (3) A transmission slot should not be rewritten when the TrmActive bit in the COMCTLj register is 1 (transmitting).

If it is rewritten, an indeterminate data will be transmitted.

19.15.1 Reception

Figure 19.21 shows the Timing of Receive Data Frame Sequence. Figure 19.21 shows the behavior of the module when receiving two consecutive CAN messages, that fit into the slot of the shown COMCTLj register ($j = 0$ to 15) and leads to losing/overwriting of the first message.

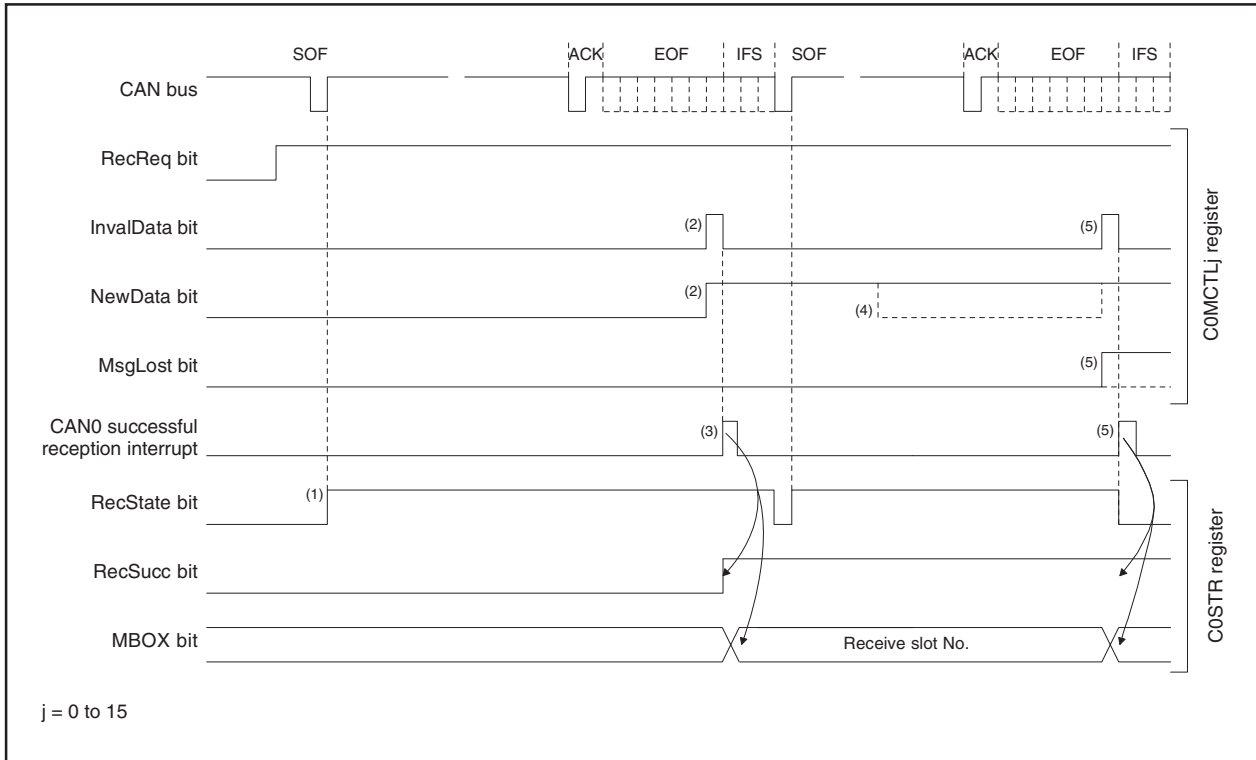


Figure 19.21 Timing of Receive Data Frame Sequence

- (1) On monitoring a SOF on the CAN bus the RecState bit in the C0STR register becomes 1 (CAN module is receiver) immediately, given the module has no transmission pending.
- (2) After successful reception of the message, the NewData bit in the COMCTLj register of the receiving slot becomes 1 (stored new data in slot). The InvalData bit in the COMCTLj register becomes 1 (message is being updated) at the same time and the InvalData bit becomes 0 (message is valid) again after the complete message was transferred to the slot.
- (3) When the interrupt enable bit in the C0ICR register of the receiving slot = 1 (interrupt enabled), the CAN0 successful reception interrupt request is generated and the MBOX bit in the C0STR register is changed. It shows the slot number where the message was stored and the RecSucc bit in the C0STR register is active.
- (4) Read the message out of the slot after setting the New Data bit to 0 (the content of the slot is read or still under processing by the CPU) by a program.
- (5) When next CAN message is received before the NewData bit is set to 0 by a program or a receive request to a slot is canceled, the MsgLost bit in the COMCTLj register is set to 1 (message has been overwritten). The new received message is transferred to the slot. Generating of an interrupt request and change of the C0STR register are same as in 3).

19.15.2 Transmission

Figure 19.22 shows the Timing of Transmit Sequence.

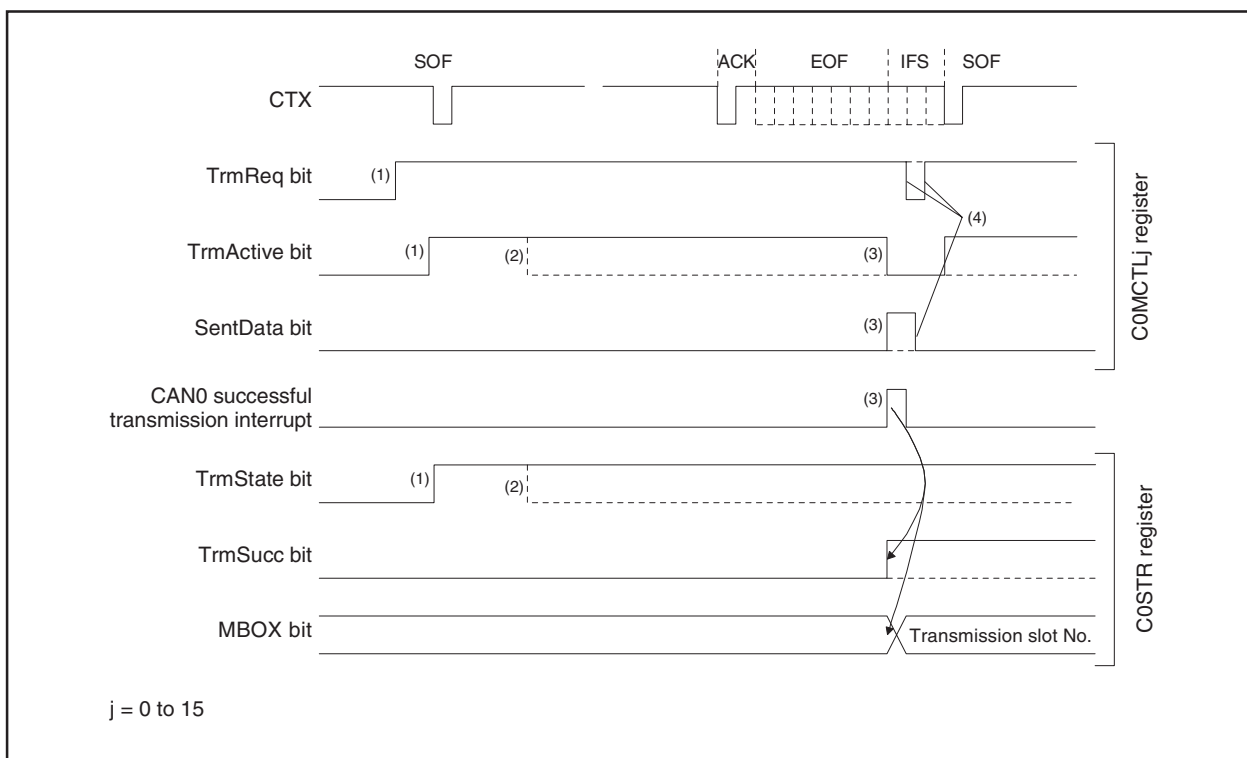


Figure 19.22 Timing of Transmit Sequence

- (1) If the TrmReq bit in the C0MCTLj register ($j = 0$ to 15) is set to 1 (transmission slot) in the bus idle state, the TrmActive bit in the C0MCTLj register and the TrmState bit in the C0STR register are set to 1 (transmitting/transmitter), and CAN module starts the transmission.
- (2) If the arbitration is lost after the CAN module starts the transmission, bits TrmActive and TrmState are set to 0.
- (3) If the transmission has been successful without lost in arbitration, the SentData bit in the C0MCTLj register is set to 1 (transmission is successfully completed) and TrmActive bit is set to 0 (waiting for bus idle or completion of arbitration). And when the interrupt enable bits in the C0ICR register = 1 (Interrupt enabled), CAN0 successful transmission interrupt request is generated and the MBOX (the slot number which transmitted the message) and TrmSucc bit in the C0STR register are changed.
- (4) When starting the next transmission, set bits SentData and TrmReq to 0. And set the TrmReq bit to 1 after checking that bits SentData and TrmReq are set to 0.

19.16 CAN Interrupt

The CAN module provides the following CAN interrupts.

- CAN0 successful reception interrupt
- CAN0 successful transmission interrupt
- CAN0 error interrupt: Error passive state
 - Error bus off state
 - Bus error (this feature can be disabled separately)
- CAN0 wake-up interrupt

When the CPU detects the CAN0 successful reception/transmission interrupt request, the MBOX bit in the C0STR register must be read to determine which slot has generated the interrupt request.

20. Programmable I/O Ports

The programmable input/output ports (hereafter referred to simply as I/O ports) consist of 87 lines P0 to P10 (except P8_5). Each port can be set for input or output every line by using a direction register, and can also be chosen to be or not be pulled high every 4 lines. P8_5 is an input-only port and does not have a pull-up resistor. Port P8_5 shares the pin with NMI, so that the NMI input level can be read from the P8_5 bit in the P8 register.

Figures 20.1 to 20.5 show the I/O Ports. Figure 20.6 shows the I/O Pins.

Each pin functions as an I/O port, a peripheral function input/output pin or a bus control pin.

For details on how to set peripheral functions, refer to each functional description in this manual. If any pin is used as a peripheral function input or D/A converter output pin, set the direction bit for that pin to 0 (input mode). Any pin used as an output pin for peripheral functions other than the D/A converter is directed for output no matter how the corresponding direction bit is set.

When using any pin as a bus control pin, refer to **7.2 Bus Control**.

20.1 PDi Register (i = 0 to 10)

Figure 20.7 shows the PDi Register.

This register selects whether the I/O port is to be used for input or output. The bits in this register correspond one for one to each port.

During memory expansion and microprocessor modes, the PDi registers for the pins functioning as bus control pins (A0 to A19, D0 to D15, CS0 to CS3, RD, WRL/WR, WRH/BHE, ALE, RDY, HOLD, HLDA, and BCLK) cannot be modified.

No direction register bit for P8_5 is available.

20.2 Pi Register (i = 0 to 10)

Figure 20.8 shows the Pi Register.

Data input/output to and from external devices are accomplished by reading and writing to the Pi register. The Pi register consists of a port latch to hold the input/output data and a circuit to read the pin status. For ports set for input mode, the input level of the pin can be read by reading the corresponding Pi register, and data can be written to the port latch by writing to the Pi register.

For ports set for output mode, the port latch can be read by reading the corresponding Pi register, and data can be written to the port latch by writing to the Pi register. The data written to the port latch is output from the pin. The bits in the Pi register correspond one for one to each port.

During memory expansion and microprocessor modes, the Pi registers for the pins functioning as bus control pins (A0 to A19, D0 to D15, CS0 to CS3, RD, WRL/WR, WRH/BHE, ALE, RDY, HOLD, HLDA, and BCLK) cannot be modified.

20.3 PURj Register (j = 0 to 2)

Figure 20.9 shows the PURj Register.

The PURj register bits can be used to select whether or not to pull the corresponding port high in 4-bit unit. The port selected to be pulled high has a pull-up resistor connected to it when the direction bit is set for input mode.

However, the pull-up control register has no effect on P0 to P3, P4_0 to P4_3, and P5 during memory expansion and microprocessor modes. Although the register contents can be modified, no pull-up resistors are connected.

20.4 PCR Register

Figure 20.10 shows the PCR Register.

When the P1 register is read after setting the PCR0 bit in the PCR register to 1, the corresponding port latch can be read no matter how the PD1 register is set.

Tables 20.1 lists the Unassigned Pin Handling in Single-chip Mode and 20.2 lists the Unassigned Pin Handling in Memory Expansion Mode and Microprocessor Mode. Figure 20.11 shows the Unassigned Pin Handling.

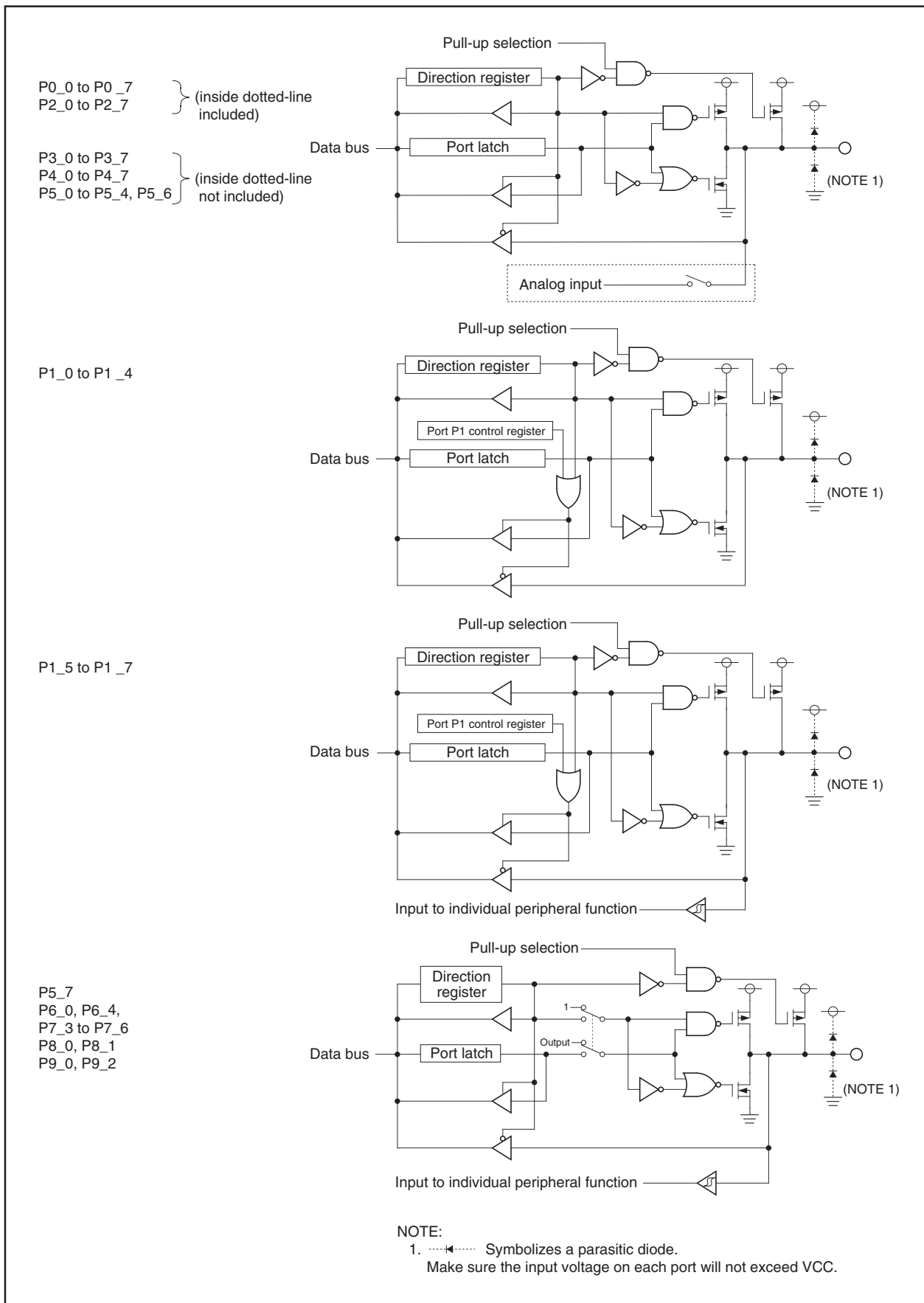


Figure 20.1 I/O Ports (1)

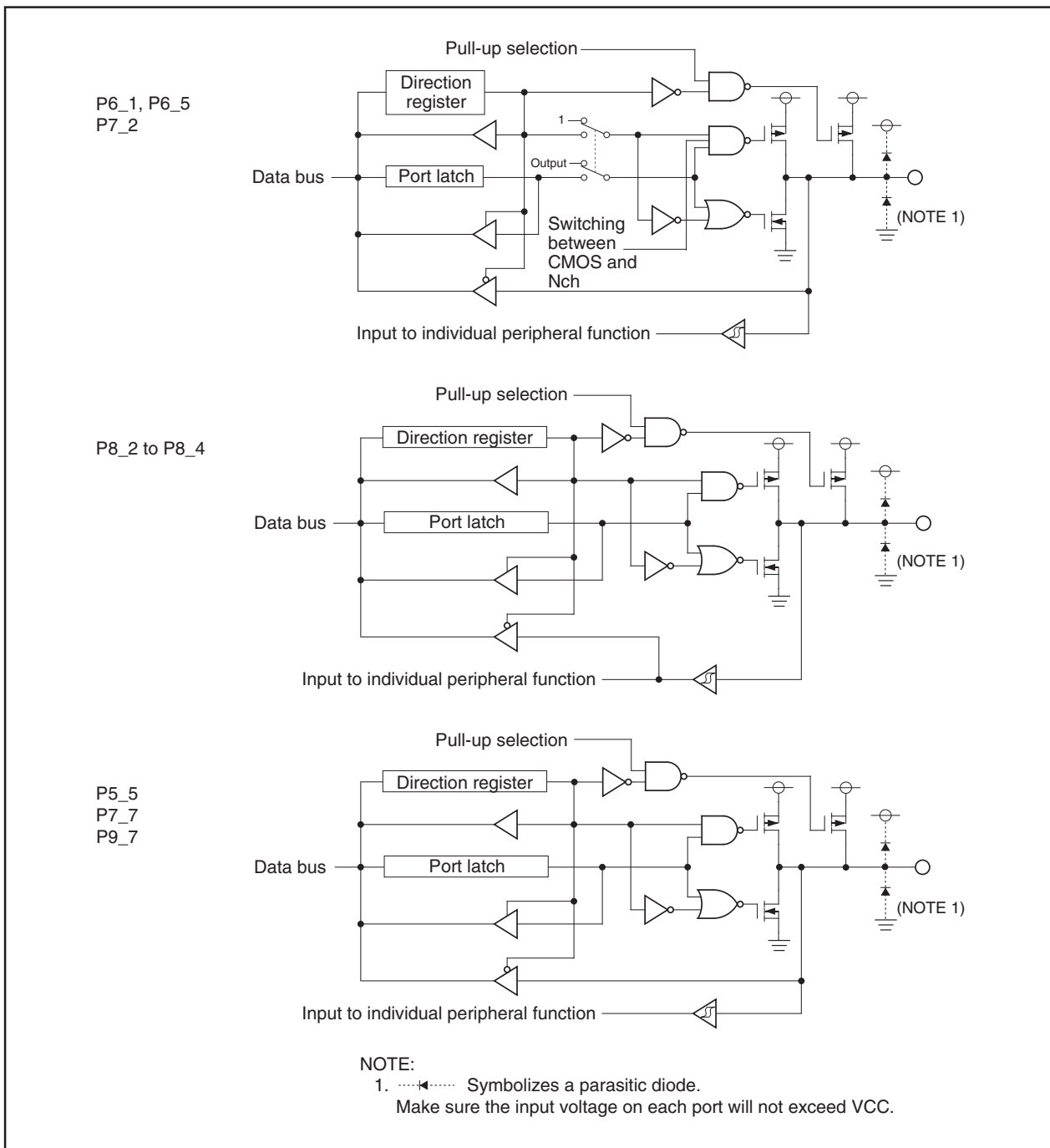


Figure 20.2 I/O Ports (2)

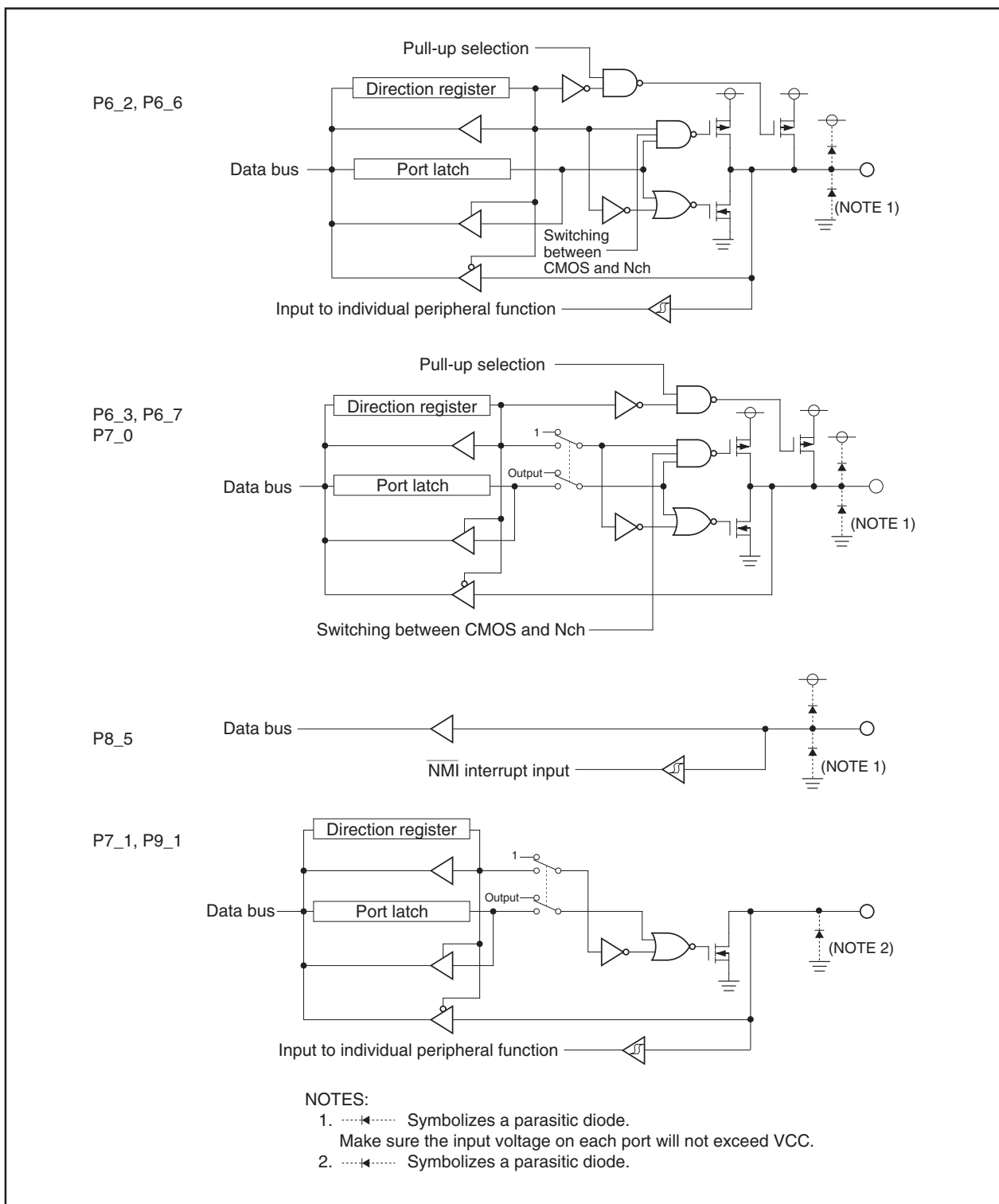


Figure 20.3 I/O Ports (3)

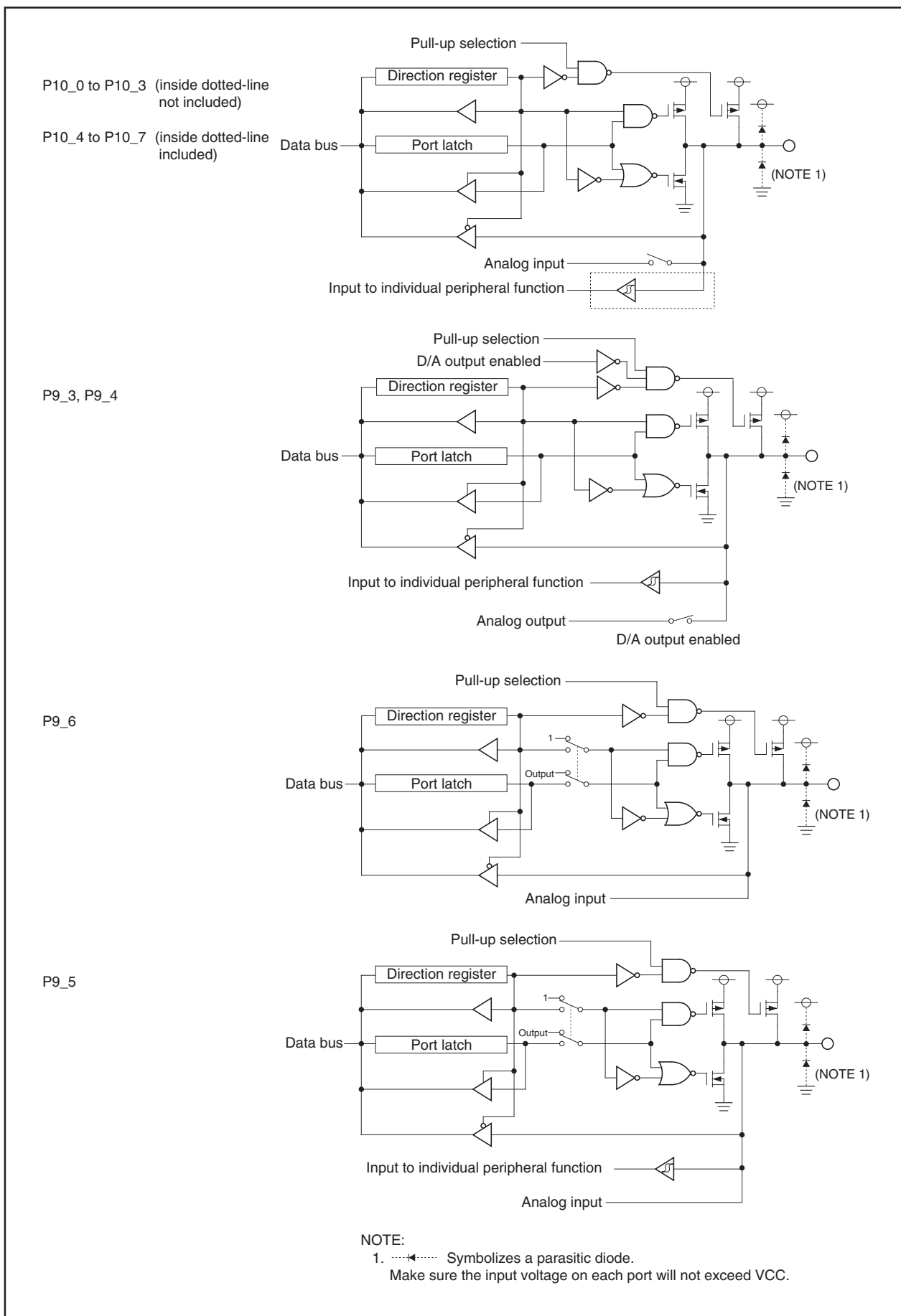


Figure 20.4 I/O Ports (4)

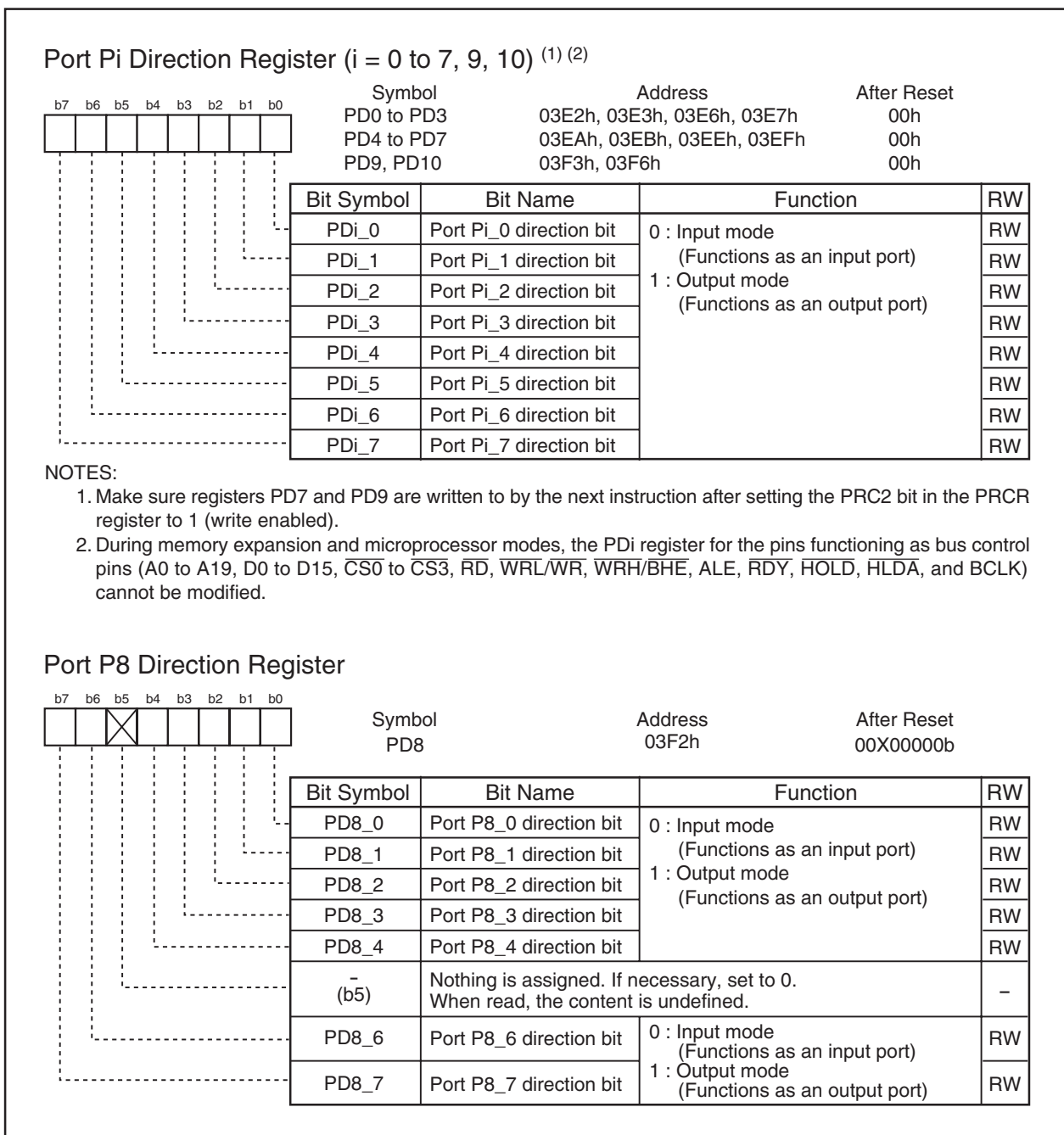


Figure 20.7 Registers PD0 to PD10

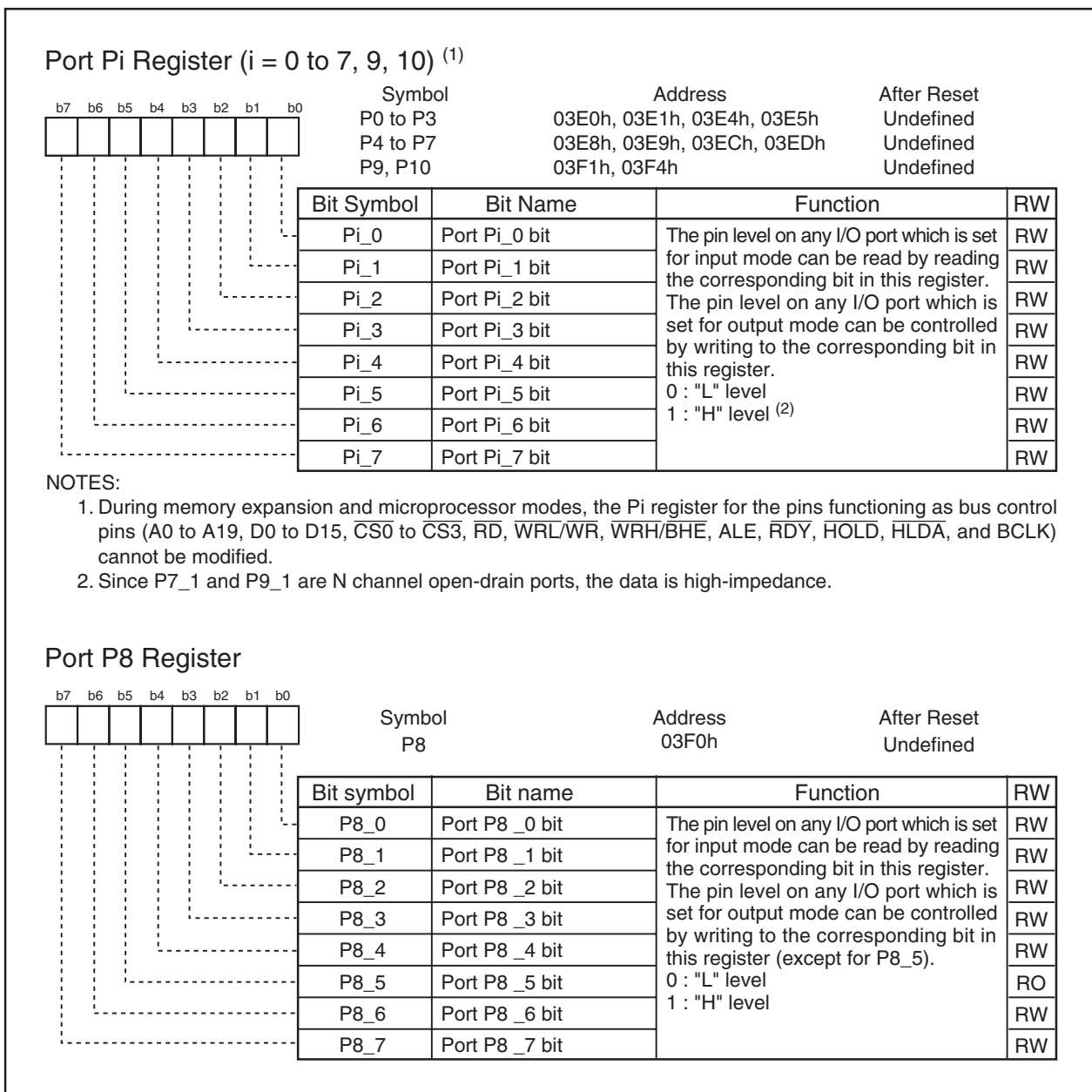


Figure 20.8 Registers P0 to P10

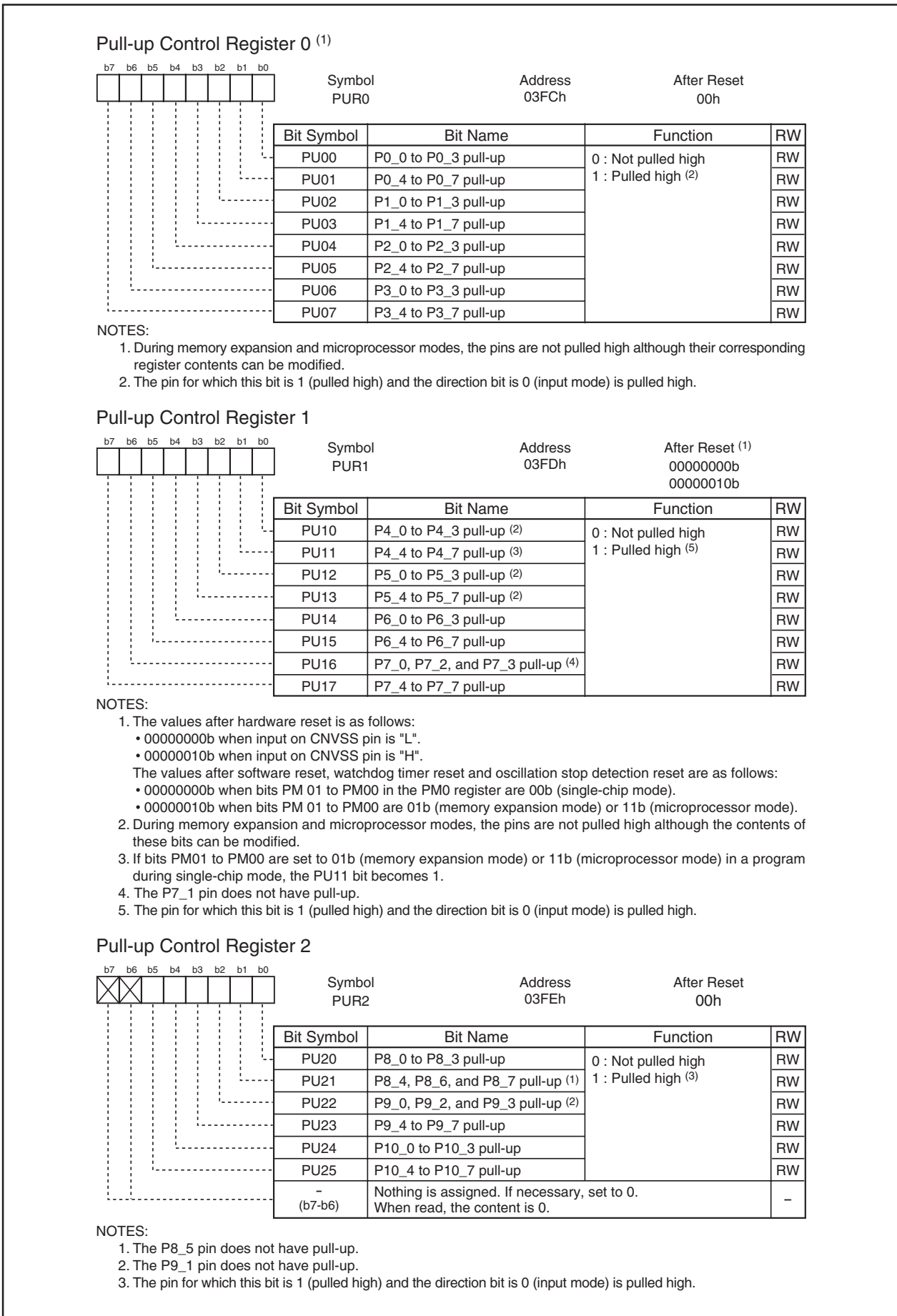


Figure 20.9 Registers PUR0, PUR1, and PUR2

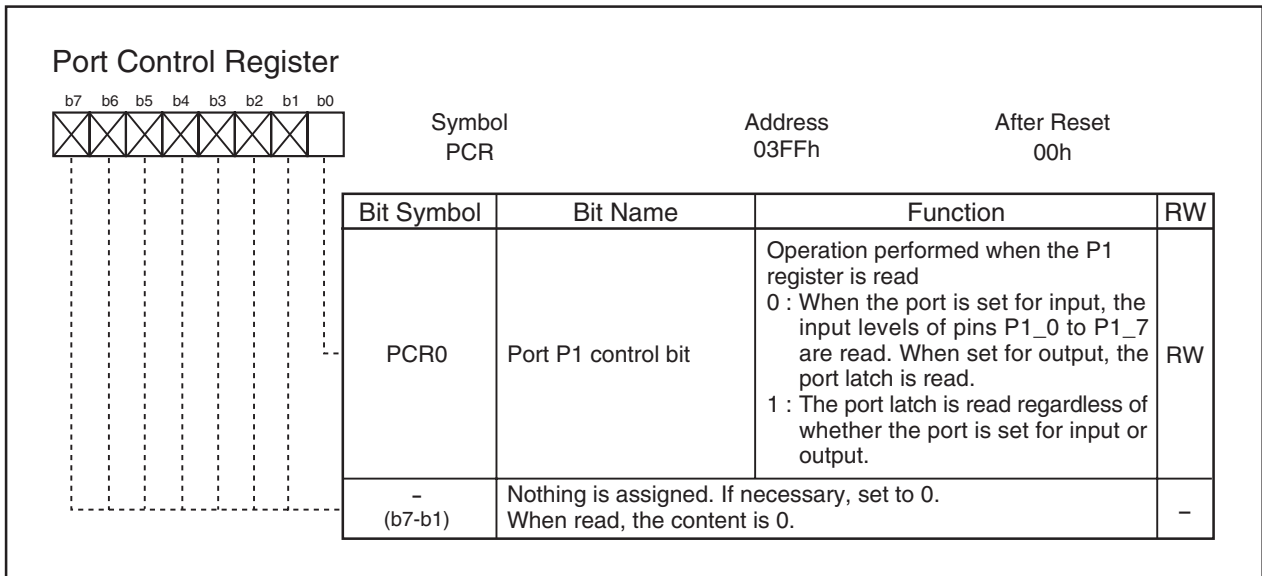


Figure 20.10 PCR Register

Table 20.1 Unassigned Pin Handling in Single-chip Mode

Pin Name	Connection
Ports P0 to P7, P8_0 to P8_4, P8_6, P8_7, P9, P10	After setting for input mode, connect every pin to VSS via a resistor (pull-down); or after setting for output mode, leave these pins open. ^{(1) (2) (3)}
XOUT ⁽⁴⁾	Open
NMI(P8_5)	Connect via resistor to VCC (pull-up)
AVCC	Connect to VCC
AVSS, VREF, BYTE	Connect to VSS

NOTES:

1. When setting the port for output mode and leave it open, be aware that the port remains in input mode until it is switched to output mode in a program after reset. For this reason, the voltage level on the pin becomes undefined, causing the power supply current to increase while the port remains in input mode.
Furthermore, by considering a possibility that the contents of the direction registers may change due to noise or program runaway caused by noise, it is recommended that the contents of the direction registers be periodically reset in software, for the increased reliability of the program.
2. Make sure the unused pins are processed with the shortest possible wiring from the MCU pins (2 cm or less).
3. When the ports P7_1 and P9_1 are set for output mode, make sure a low-level signal is output from the pins.
The ports P7_1 and P9_1 are N-channel open-drain outputs.
4. With external clock input to XIN pin.

Table 20.2 Unassigned Pin Handling in Memory Expansion Mode and Microprocessor Mode

Pin Name	Connection
Ports P6, P7, P8_0 to P8_4, P8_6, P8_7, P9, P10	After setting for input mode, connect every pin to VSS via a resistor (pull-down); or after setting for output mode, leave these pins open. ^{(1) (2) (3) (4)}
P4_5/CS1 to P4_7/CS3	Connect to VCC via a resistor (pulled high) by setting the corresponding direction bit in the PD4 register for \overline{CS}_i ($i = 1$ to 3) to 0 (input mode) and the \overline{CS}_i bit in the CSR register to 0 (chip select disabled).
\overline{BHE} , \overline{ALE} , \overline{HLDA} , XOUT ⁽⁵⁾ , BCLK ⁽⁶⁾	Open
HOLD, \overline{RDY} , \overline{NMI} (P8_5)	Connect via resistor to VCC (pull-up)
AVCC	Connect to VCC
AVSS, VREF	Connect to VSS

NOTES:

1. When setting the port for output mode and leave it open, be aware that the port remains in input mode until it is switched to output mode in a program after reset. For this reason, the voltage level on the pin becomes undefined, causing the power supply current to increase while the port remains in input mode.
Furthermore, by considering a possibility that the contents of the direction registers may change due to noise or program runaway caused by noise, it is recommended that the contents of the direction registers be periodically reset in software, for the increased reliability of the program.
2. Make sure the unused pins are processed with the shortest possible wiring from the MCU pins (2 cm or less).
3. If the CNVSS pin has the VSS level applied to it, these pins are set for input ports until the processor mode is switched over in a program after reset. For this reason, the voltage levels on these pins become undefined, causing the power supply current to increase while they remain set for input ports.
4. When the ports P7_1 and P9_1 are set for output mode, make sure a low-level signal is output from the pins.
The ports P7_1 and P9_1 are N-channel open-drain outputs.
5. With external clock input to XIN pin.
6. If the PM07 bit in the PM0 register is set to 1 (BCLK not output), connect this pin to VCC via a resistor (pulled high).

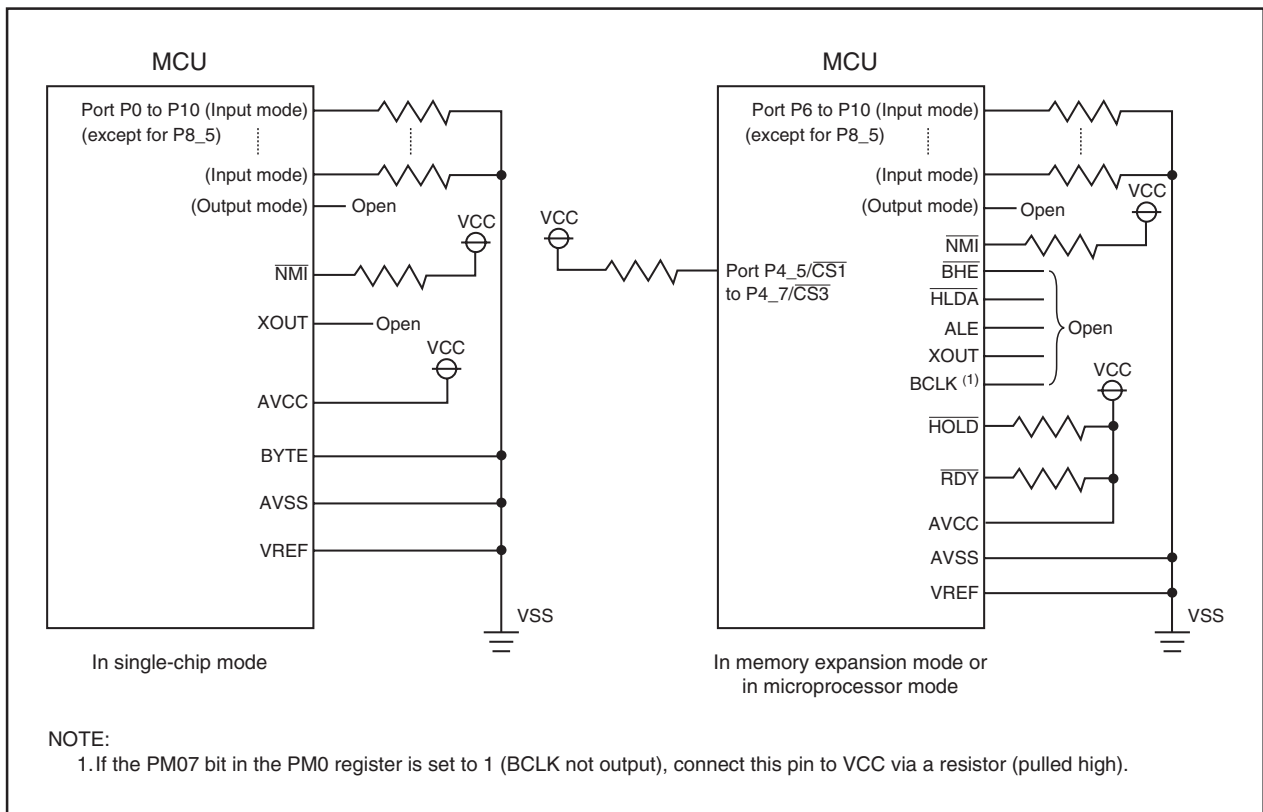


Figure 20.11 Unassigned Pins Handling

21. Flash Memory Version

Aside from the on-chip flash memory, the flash memory version MCU has the same functions as the masked ROM version.

In the flash memory version, the flash memory can perform in four rewrite mode: CPU rewrite mode, standard serial I/O mode, parallel I/O mode, and CAN I/O mode.

Table 21.1 lists the Flash Memory Version Specifications. See **Table 1.1 Functions and Specifications**, for the items not listed in Table 21.1. Table 21.2 shows the Flash Memory Rewrite Modes Overview.

Table 21.1 Flash Memory Version Specifications

Item	Specifications
Flash memory rewrite mode	4 modes (CPU rewrite, standard serial I/O, parallel I/O, CAN I/O)
Erase block	User ROM area
	Boot ROM area
Program method	In units of word, in units of byte ⁽²⁾
Erase method	Collective erase, block erase
Program and erase control method	Program and erase controlled by software command
Protect method	Lock bit protects each block
Number of commands	8 commands
Programming and erasure endurance ⁽³⁾	100 times
ROM code protection	Parallel I/O, standard serial I/O, and CAN I/O modes are supported.

NOTES:

1. The boot ROM area contains standard serial I/O mode and CAN I/O mode rewrite control program which is stored in it when shipped from the factory. This area can only be rewritten in parallel I/O mode.
2. Can be programmed in byte units in only parallel I/O mode.
3. Definition of programming and erasure endurance
The programming and erasure endurance is defined to be per-block erasure endurance. For example, assume a case where a 4K-byte block A is programmed in 2,048 operations by writing one word at a time and erased thereafter. In this case, the block is reckoned as having been programmed and erased once.
If a product is 100 times of programming and erasure endurance, each block in it can be erased up to 100 times.

Table 21.2 Flash Memory Rewrite Modes Overview

Flash Memory Rewrite Mode	CPU Rewrite Mode ⁽¹⁾	Standard Serial I/O Mode	Parallel I/O Mode	CAN I/O Mode
Function	The user ROM area is rewritten when the CPU executes software commands. EW0 mode: Rewrite in areas other than flash memory ⁽²⁾ EW1 mode: Can be rewritten in the flash memory	The user ROM area is rewritten using a dedicated serial programmer. Standard serial I/O mode 1: Clock synchronous serial I/O Standard serial I/O mode 2: UART ⁽³⁾	The boot ROM and user ROM areas are rewritten using a dedicated parallel programmer.	The user ROM area is rewritten using a dedicated CAN programmer.
Areas which can be rewritten	User ROM area	User ROM area	User ROM area Boot ROM area	User ROM area
Operating mode	Single-chip mode Memory expansion mode (EW0 mode) Boot mode (EW0 mode)	Boot mode	Parallel I/O mode	Boot mode
ROM programmer	None	Serial programmer	Parallel programmer	CAN programmer

NOTES:

1. The PM13 bit remains set to 1 while the FMR01 bit in the FMR0 register = 1 (CPU rewrite mode enabled). The PM13 bit is reverted to its original value by setting the FMR01 bit to 0 (CPU rewrite mode disabled). However, if the PM13 bit is changed during CPU rewrite mode, its changed value is not reflected until after the FMR01 bit is set to 0.
2. When in CPU rewrite mode, bits PM10 and PM13 in the PM1 register are set to 1. The rewrite control program can only be executed in the internal RAM or in an external area that is enabled for use when the PM13 bit = 1.
3. When using standard serial I/O mode 2, make sure a main clock input oscillation frequency is set to 5 MHz, 10 MHz, or 16 MHz.

21.1 Memory Map

The flash memory contains the user ROM area and the boot ROM area. The user ROM area has space to store the MCU operating program in single-chip mode or memory expansion mode and a separate 4-Kbyte space as the block A.

Figure 21.1 shows the Flash Memory Block Diagram.

The user ROM area is divided into several blocks, each of which can be protected (locked) against programming or erasure. The user ROM area can be rewritten in CPU rewrite, standard serial I/O mode, parallel I/O mode, and CAN I/O mode. Block A is enabled for use by setting the PM10 bit in the PM1 register to 1 (block A enabled. CS2 area at addresses 10000h to 26FFFh).

The boot ROM area is located at the same addresses as the user ROM area. It can only be rewritten in parallel I/O mode (refer to **21.1.1 Boot Mode**). A program in the boot ROM area is executed after a hardware reset occurs while an “H” signal is applied to pins CNVSS and P5_0 and an “L” signal is applied to the P5_5 pin (refer to **21.1.1 Boot Mode**). A program in the user ROM area is executed after a hardware reset occurs while an “L” signal is applied to the CNVSS pin. However, the boot ROM area cannot be read.

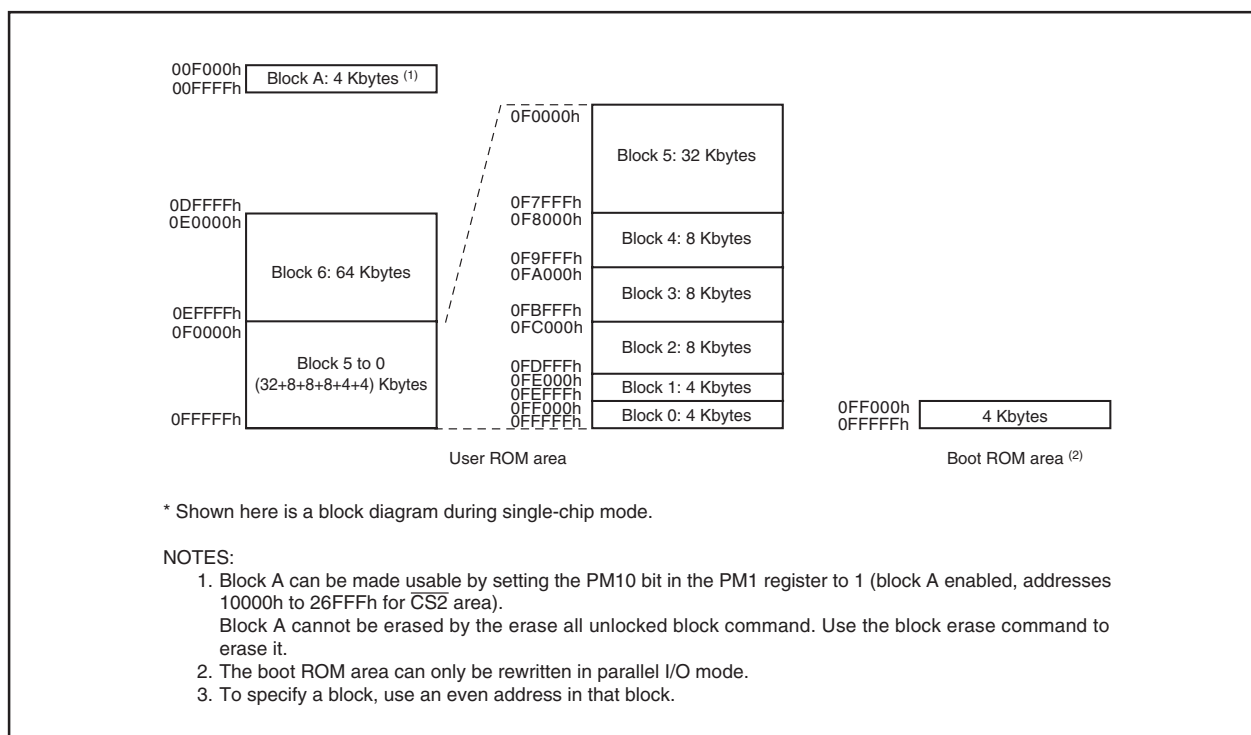


Figure 21.1 Flash Memory Block Diagram

21.1.1 Boot Mode

The MCU enters boot mode when a hardware reset occurs while an “H” signal is applied to pins CNVSS and P5_0 and an “L” signal is applied to the P5_5 pin. A program in the boot ROM area is executed.

In boot mode, the FMR05 bit in the FMR0 register selects access to the boot ROM area or the user ROM area.

The rewrite control program for standard serial I/O mode is stored in the boot ROM area before shipment.

The boot ROM area can be rewritten in parallel I/O mode only. If given rewrite control program using erase-write mode (EW0 mode) is written in the boot ROM area, the flash memory can be rewritten according to the system implemented.

21.2 Functions to Prevent Flash Memory from Rewriting

The flash memory has the ROM code protect function for parallel I/O mode and the ID code check function for standard serial I/O mode and CAN I/O mode to prevent the flash memory from reading or rewriting.

21.2.1 ROM Code Protect Function

The ROM code protect function inhibits the flash memory from being read or rewritten during parallel I/O mode. Figure 21.2 shows the ROMCP Register. The ROMCP register is located in the user ROM area. The ROM code protect function is enabled when the ROMCR bits are set to other than 11b. In this case, set the bit 5 to bit 0 to 111111b.

When exiting ROM code protect, erase the block including the ROMCP register by CPU rewrite mode, standard serial I/O mode, or CAN I/O mode.

21.2.2 ID Code Check Function

Use the ID code check function in standard serial I/O mode and CAN I/O mode. The ID code sent from the serial programmer is compared with the ID code written in the flash memory for a match. If the ID codes do not match, commands sent from the serial programmer are not accepted. However, if the four bytes of the reset vector are FFFFFFFFh, ID codes are not compared, allowing all commands to be accepted.

The ID codes are 7-byte data stored consecutively, starting with the first byte, into addresses 0FFFDfH, 0FFFE3h, 0FFFEbH, 0FFFEfH, 0FFFF3h, 0FFFF7h, and 0FFFFbH. The flash memory must have a program with the ID codes set in these addresses.

Figure 21.3 shows the Addresses for ID Code Stored.

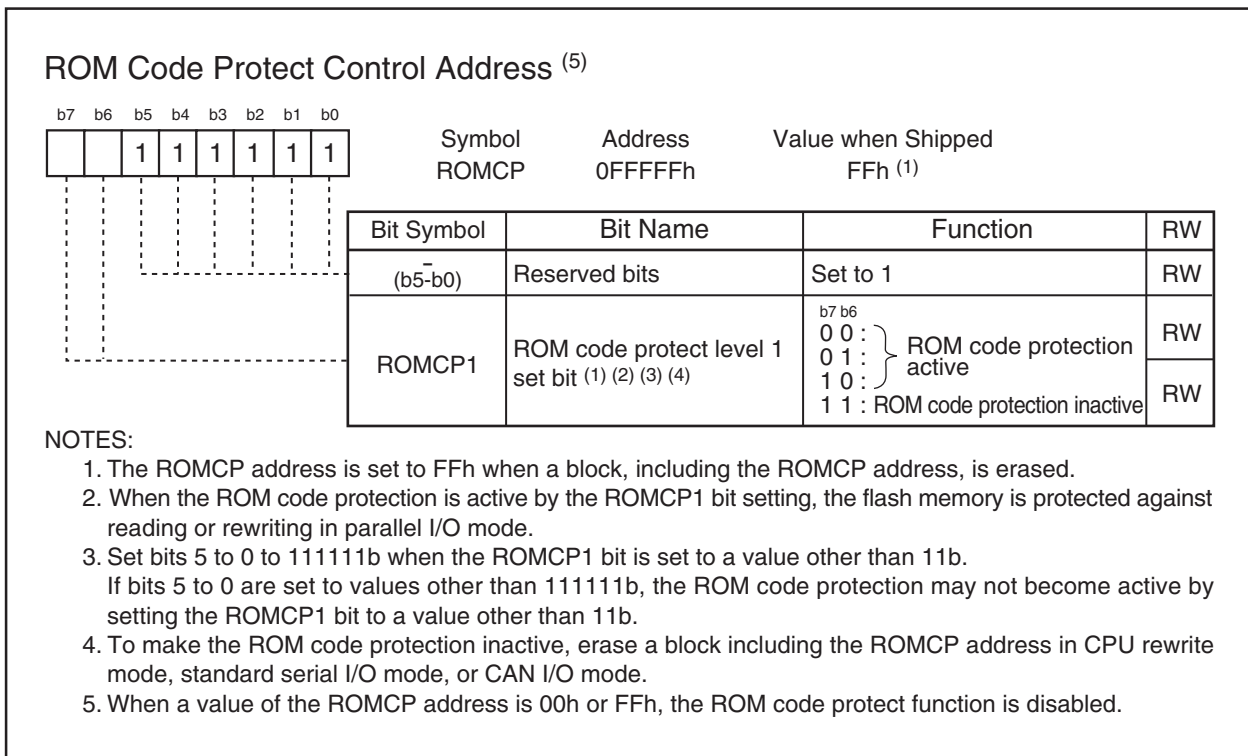


Figure 21.2 ROMCP Register

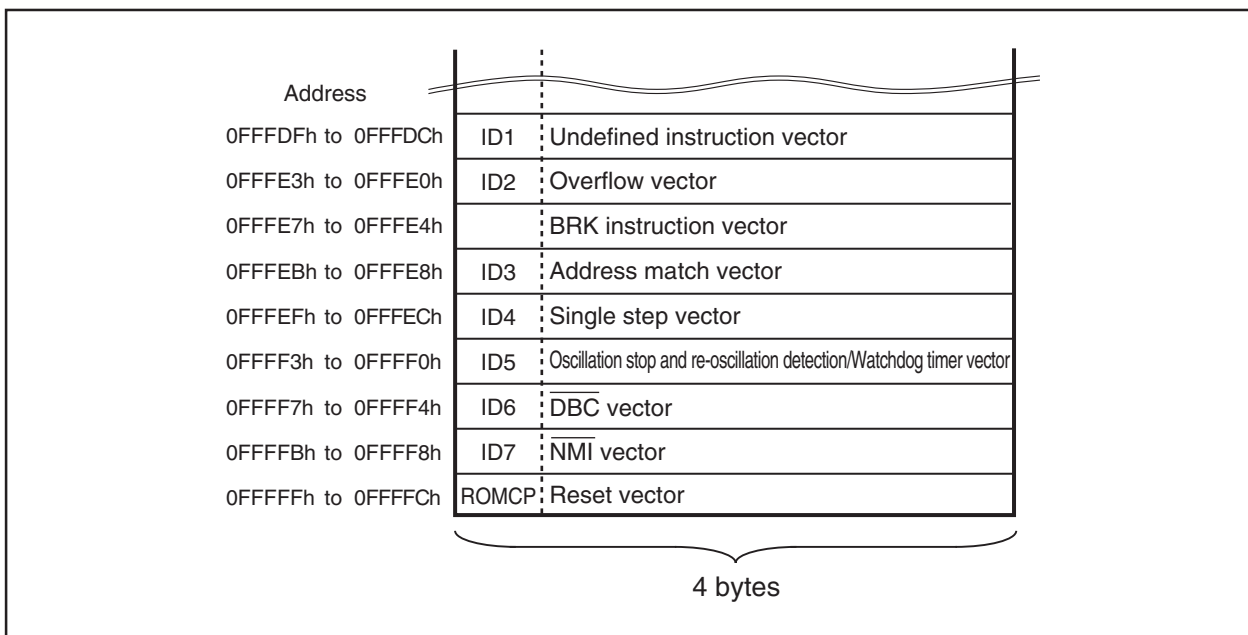


Figure 21.3 Address for ID Code Stored

21.3 CPU Rewrite Mode

In CPU rewrite mode, the user ROM area can be rewritten when the CPU executes software commands. The user ROM area can be rewritten with the MCU is mounted on a board without using a parallel, serial or CAN programmer.

In CPU rewrite mode, only the user ROM area shown in Figure 21.1 can be rewritten. The boot ROM area cannot be rewritten. Program and the block erase command are executed only in the user ROM area.

Erase-write 0 (EW0) mode and erase-write 1 (EW1) mode are provided as CPU rewrite mode.

Table 21.3 lists the differences between EW0 and EW1 Modes.

Table 21.3 EW0 Mode and EW1 Mode

Item	EW0 Mode	EW1 Mode
Operating mode	<ul style="list-style-type: none"> • Single-chip mode • Memory expansion mode • Boot mode 	Single-chip mode
Space where rewrite control program can be placed	<ul style="list-style-type: none"> • User ROM area • Boot ROM area 	User ROM area
Space where rewrite control program can be executed	The rewrite control program must be transferred to any space other than the flash memory (e.g., RAM) before being executed ⁽²⁾	The rewrite control program can be executed in the user ROM area
Space which can be rewritten	User ROM area	User ROM area However, this excludes blocks with the rewrite control program
Software command restriction	None	<ul style="list-style-type: none"> • Program and block erase commands cannot be executed in a block having the rewrite control program. • Erase all unlocked block command cannot be executed when the lock bit in a block having the rewrite control program is set to 1 (unlocked) or when the FMR02 bit in the FMR0 register is set to 1 (lock bit disabled). • Read status register command cannot be used.
Modes after program or erasing	Read status register mode	Read array mode
CPU status during auto-programming and auto-erase	Operating	Maintains hold state (I/O ports maintains the state before the command was executed) ⁽¹⁾
Flash memory status detection	<ul style="list-style-type: none"> • Read bits FMR00, FMR06, and FMR07 in the FMR0 register by program • Execute the read status register command to read bits SR7, SR5, and SR4 in the status register 	Read bits FMR00, FMR06, and FMR07 in the FMR0 register by program

NOTES:

1. Do not generate an interrupts (except $\overline{\text{NMI}}$ interrupt) and DMA transfer.
2. When in CPU rewrite mode, bits PM10 and PM13 in the PM1 register are set to 1. The rewrite control program can only be executed in the internal RAM or in an external area that is enabled for use when the PM13 bit = 1.

21.3.1 EW0 Mode

The MCU enters CPU rewrite mode by setting the FMR01 bit in the FMR0 register to 1 (CPU rewrite mode enabled) and is ready to accept commands. EW0 mode is selected by setting the FMR11 bit in the FMR1 register to 0. To set the FMR01 bit to 1, set to 1 after first writing 0.

The software commands control programming and erasing. The FMR0 register or the status register indicates whether a program or erase operation is completed as expected or not.

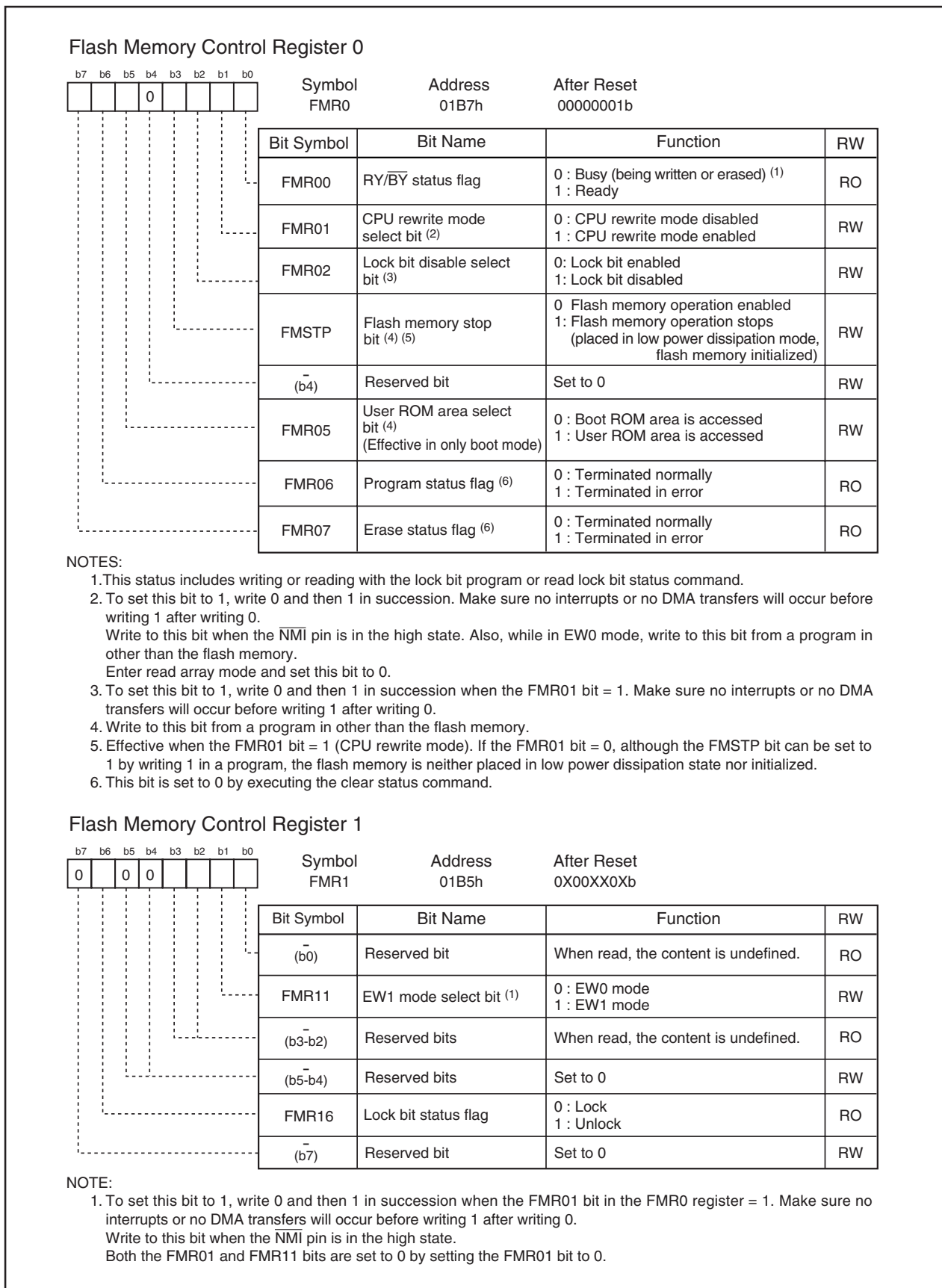
21.3.2 EW1 Mode

EW1 mode is selected by setting FMR11 bit to 1 (by writing 0 and then 1 in succession) after setting the FMR01 bit to 1 (by writing 0 and then 1 in succession). (Both bits must be set to 0 first before setting to 1.) The FMR0 register indicates whether or not a program or erase operation has been completed as expected. The status register cannot be read in EW1 mode.

When an erase/program operation is initiated the CPU halts all program execution until the operation is completed or erase-suspend is requested.

21.3.3 Registers FMR0 and FMR1

Figure 21.4 shows Registers FMR0 and FMR1.



21.3.3.1 FMR00 Bit

This bit indicates the operating status of the flash memory. It is set to 0 while the program, block erase, erase all unlocked block, lock bit program, or read lock bit status command is being executed; otherwise, it is set to 1.

21.3.3.2 FMR01 Bit

The MCU can accept commands when the FMR01 bit is set to 1 (CPU rewrite mode). Set the FMR05 bit to 1 (user ROM area access) as well if in boot mode.

21.3.3.3 FMR02 Bit

The lock bit is disabled by setting the FMR02 bit to 1 (lock bit disabled). (Refer to **21.3.6 Data Protect Function**.) The lock bit is enabled by setting the FMR02 bit to 0 (lock bit enabled).

The FMR02 bit does not change the lock bit status but disables the lock bit function. If the block erase or erase all unlocked block command is executed when the FMR02 bit is set to 1, the lock bit status changes 0 (locked) to 1 (unlocked) after command execution is completed.

21.3.3.4 FMSTP Bit

The FMSTP bit resets the flash memory control circuits and minimizes power consumption in the flash memory. Access to the flash memory is disabled when the FMSTP bit is set to 1 (flash memory operation stops). Set the FMSTP bit by program in a space other than the flash memory.

Set the FMSTP bit to 1 if one of the followings occurs:

- A flash memory access error occurs while erasing or programming in EW0 mode (FMR00 bit does not switch back to 1 (ready))
- Low power dissipation mode or on-chip oscillator low power dissipation mode is entered

Use the following the procedure to change the FMSTP bit setting.

- (1) Set the FMSTP bit to 1
- (2) Set tps (the wait time to stabilize flash memory circuit)
- (3) Set the FMSTP bit to 0
- (4) Set tps (the wait time to stabilize flash memory circuit)

Figure 21.7 shows the Processing Before and After Low Power Dissipation Mode or On-chip Oscillator Low Power Dissipation Mode. Follow the procedure on this flow chart.

When entering stop or wait mode, the flash memory is automatically turned off. When exiting stop or wait mode, the flash memory is turned back on. The FMR0 register does not need to be set.

21.3.3.5 FMR05 Bit

This bit selects the boot ROM or user ROM area in boot mode. Set to 0 to access (read) the boot ROM area or to 1 (user ROM access) to access (read, write or erase) the user ROM area.

21.3.3.6 FMR06 Bit

This is a read-only bit indicating the status of an auto-program operation. The FMR06 bit is set to 1 when a program error occurs; otherwise, it is set to 0. Refer to **21.3.8 Full Status Check**.

21.3.3.7 FMR07 Bit

This is a read-only bit indicating the status of an auto-erase operation. The FMR07 bit is set to 1 when an erase error occurs; otherwise, it is set to 0. For details, refer to **21.3.8 Full Status Check**.

21.3.3.8 FMR11 Bit

EW0 mode is entered by setting the FMR11 bit to 0 (EW0 mode).

EW1 mode is entered by setting the FMR11 bit to 1 (EW1 mode).

21.3.3.9 FMR16 Bit

This is a read-only bit indicating the execution result of the read lock bit status command. When the block, where the read lock bit status command is executed, is locked, the FMR16 bit is set to 0.

When the block, where the read lock bit status command is executed, is unlocked, the FMR16 bit is set to 1.

Figure 21.5 shows the Setting and Resetting of EW0 Mode. Figure 21.6 show the Setting and Resetting of EW1 Mode.

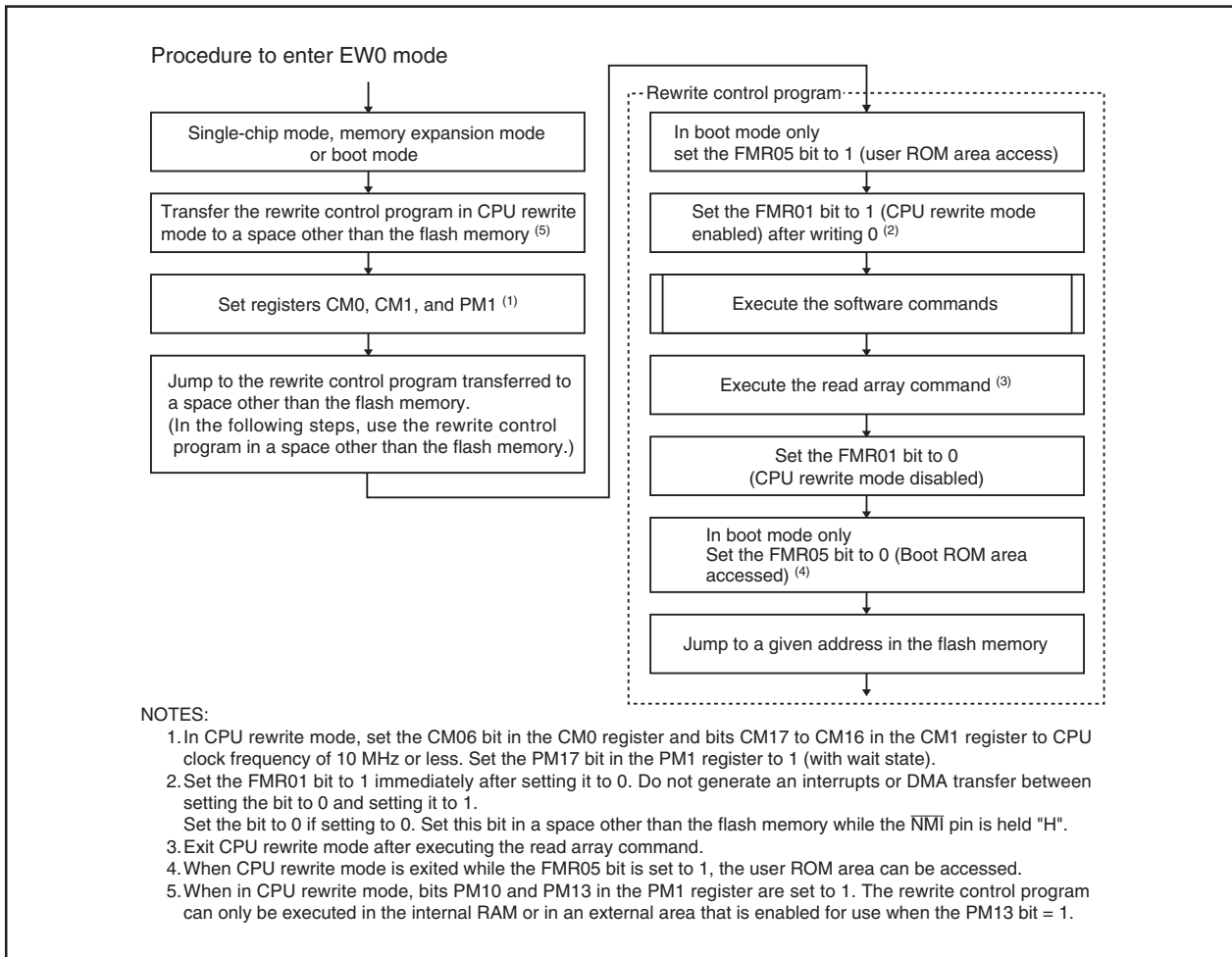


Figure 21.5 Setting and Resetting of EW0 Mode

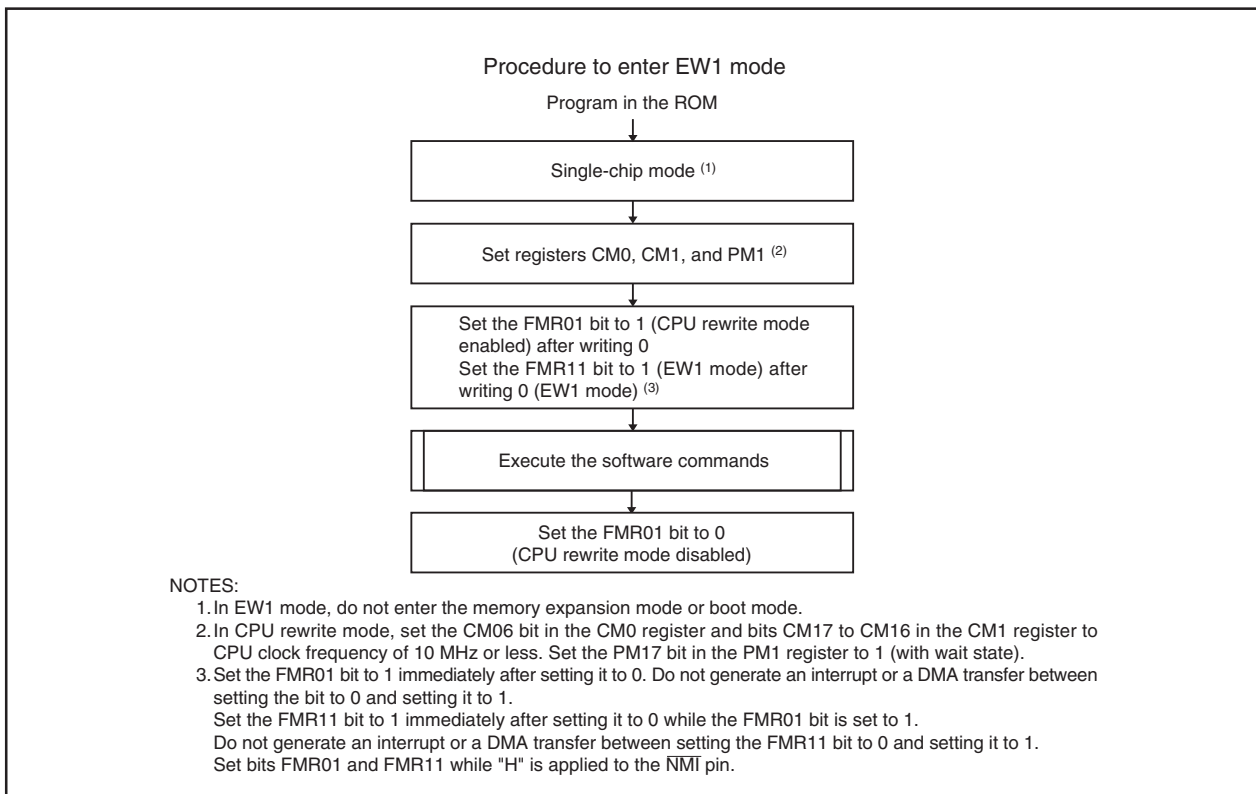


Figure 21.6 Setting and Resetting of EW1 Mode

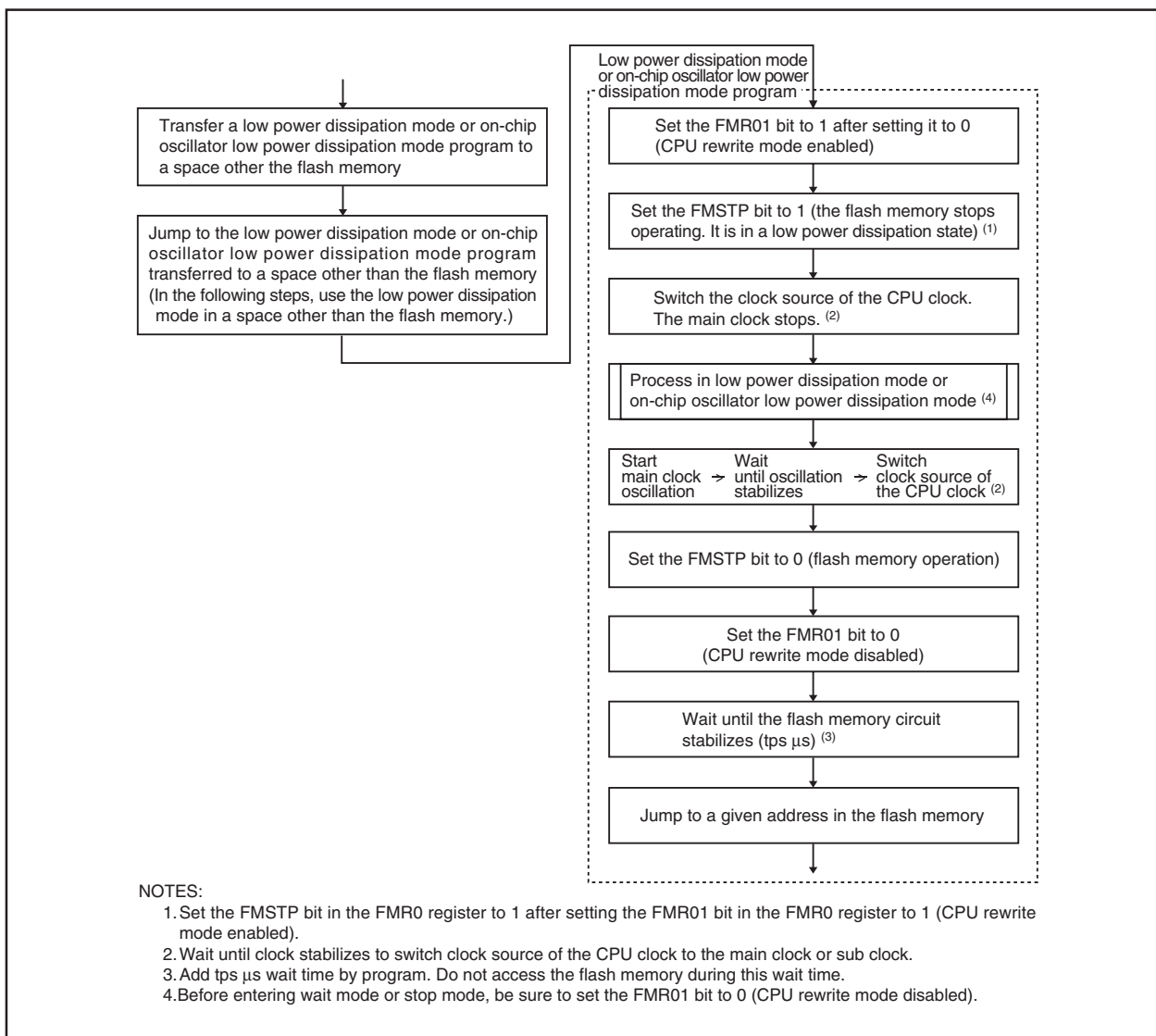


Figure 21.7 Processing Before and After Low Power Dissipation Mode or On-chip Oscillator Low Power Dissipation Mode

21.3.4 Notes on CPU Rewrite Mode

21.3.4.1 Operating Speed

Before entering CPU rewrite mode (EW0 or EW1 mode), set the CM11 bit in the CM1 register to 0 (main clock), select 10 MHz or less for CPU clock using the CM06 bit in the CM0 register and bits CM17 to CM16 in the CM1 register. Also, set the PM17 bit in the PM1 register to 1 (with wait state).

21.3.4.2 Prohibited Instructions

The following instructions cannot be used in EW0 mode because the CPU tries to read data in flash memory: the UND instruction, INTO instruction, JMPS instruction, JSRS instruction, and BRK instruction

21.3.4.3 Interrupts (EW0 Mode)

- To use interrupts having vectors in a relocatable vector table, the vectors must be relocated to the RAM area.
- The $\overline{\text{NMI}}$ and watchdog timer interrupts are available since registers FMR0 and FMR1 are forcibly reset when either interrupt request is generated. Allocate the jump addresses for each interrupt service routines to the fixed vector table. Flash memory rewrite operation is suspended when the $\overline{\text{NMI}}$ or watchdog timer interrupt request is generated. Execute the rewrite program again after exiting the interrupt routine.
- The address match interrupt is not available since the CPU tries to read data in the flash memory.

21.3.4.4 Interrupts (EW1 Mode)

- Do not acknowledge any interrupts with vectors in the relocatable vector table or address match interrupt during auto-programming or auto-erasure.
- Do not use the watchdog timer interrupt.
- The $\overline{\text{NMI}}$ interrupt is available since registers FMR0 and FMR1 are forcibly reset when the interrupt request is generated. Allocate the jump address for the interrupt service routine to the fixed vector table. Flash memory rewrite operation is suspended when the $\overline{\text{NMI}}$ interrupt request is generated. Execute the rewrite program again after exiting the interrupt service routine.

21.3.4.5 How to Access

To set the FMR01, FMR02 or FMR11 bit to 1, write 1 after first setting the bit to 0. Do not generate an interrupt or a DMA transfer between the instruction to set the bit to 0 and the instruction to set the bit to 1. Set the bit while an "H" signal is applied to the $\overline{\text{NMI}}$ pin.

21.3.4.6 Rewriting in User ROM Area (EW0 Mode)

If the supply voltage drops while rewriting the block where the rewrite control program is stored, the flash memory cannot be rewritten because the rewrite control program is not correctly rewritten. If this error occurs, rewrite the user ROM area while in standard serial I/O mode, parallel I/O mode, or CAN I/O mode.

21.3.4.7 Rewriting in User ROM Area (EW1 Mode)

Avoid rewriting any block in which the rewrite control program is stored.

21.3.4.8 DMA Transfer

In EW1 mode, do not perform a DMA transfer while the FMR00 bit in the FMR0 register is set to 0 (auto-programming or auto-erasure).

21.3.4.9 Writing Command and Data

Write commands and data to even addresses in the user ROM area.

21.3.4.10 Wait Mode

When entering wait mode, set the FMR01 bit in the FMR0 register to 0 (CPU rewrite mode disabled) before executing the WAIT instruction.

21.3.4.11 Stop Mode

When entering stop mode, execute the instruction which sets the CM10 bit to 1 (stop mode) after setting the FMR01 bit to 0 (CPU rewrite mode disabled) and disabling the DMA transfer.

21.3.4.12 Low Power Dissipation Mode and On-chip Oscillator Low Power Dissipation Mode

If the CM05 bit is set to 1 (main clock stopped), do not execute the following commands:

- Program
- Block erase
- Erase all unlocked blocks
- Lock bit program
- Read lock bit status

21.3.5 Software Commands

Software commands are described below. The command code and data must be read and written in 16-bit unit, to and from even addresses in the user ROM area. When writing command code, the high-order 8 bits (D15 to D8) are ignored.

Table 21.4 lists the Software Commands.

Table 21.4 Software Commands

Software Command	First Bus Cycle			Second Bus Cycle		
	Mode	Address	Data (D15 to D0)	Mode	Address	Data (D15 to D0)
Read array	Write	X	xxFFh	-	-	-
Read status register	Write	X	xx70h	Read	X	SRD
Clear status register	Write	X	xx50h	-	-	-
Program	Write	WA	xx40h	Write	WA	WD
Block erase	Write	X	xx20h	Write	BA	xxD0h
Erase all unlocked block ⁽¹⁾	Write	X	xxA7h	Write	X	xxD0h
Lock bit program	Write	BA	xx77h	Write	BA	xxD0h
Read lock bit status	Write	X	xx71h	Write	BA	xxD0h

SRD: data in the SRD register (D7 to D0)

WA: Address to be written (The address specified in the first bus cycle is the same even address as the address specified in the second bus cycle.)

WD: 16-bit write data

BA: Highest-order block address (must be an even address)

X: Given even address in the user ROM area

xx: High-order 8 bits of command code (ignored)

NOTE:

1. Blocks 0 to 6 can be erased by the erase all unlocked block command.

Block A cannot be erased. The block erase command must be used to erase the block A.

21.3.5.1 Read Array Command (FFh)

The read array command reads the flash memory.

By writing command code xxFFh in the first bus cycle, read array mode is entered. Content of a specified address can be read in 16-bit unit after the next bus cycle.

The MCU remains in read array mode until another command is written. Therefore, contents from multiple addresses can be read consecutively.

21.3.5.2 Read Status Register Command (70h)

The read status register command reads the status register (refer to **21.3.7 Status Register (SRD Register)** for detail).

By writing command code xx70h in the first bus cycle, the status register can be read in the second bus cycle. Read an even address in the user ROM area.

Do not execute this command in EW1 mode.

21.3.5.3 Clear Status Register Command (50h)

The clear status register command clears the status register.

By writing xx50h in the first bus cycle, bits FMR07 to FMR06 in the FMR0 register are set to 00b and bits SR5 to SR4 in the status register are set to 00b.

21.3.5.4 Program Command (40h)

The program command writes 2-byte data to the flash memory.

By writing xx40h in the first bus cycle and data to the write address in the second bus cycle, an auto-program operation (data program and verify) will start. The address value specified in the first bus cycle must be the same even address as the write address specified in the second bus cycle.

The FMR00 bit in the FMR0 register indicates whether an auto-program operation has been completed. The FMR00 bit is set to 0 (busy) during auto-programming and to 1 (ready) when an auto-program operation is completed.

After the completion of an auto-program operation, the FMR06 bit in the FMR0 register indicates whether or not the auto-program operation has been completed as expected. (Refer to **21.3.8 Full Status Check**.)

An address that is already written cannot be altered or rewritten.

Figure 21.8 shows a flow chart of the Program Command.

The lock bit protects each block from being programmed inadvertently. (Refer to **21.3.6 Data Protect Function**.)

In EW1 mode, do not execute this command on the block where the rewrite control program is allocated. In EW0 mode, the MCU enters read status register mode as soon as an auto-program operation starts. The status register can be read. The SR7 bit in the status register is set to 0 at the same time an auto-program operation starts. It is set to 1 when auto-program operation is completed. The MCU remains in read status register mode until the read array command is written. After completion of an auto-program operation, the status register indicates whether or not the auto-program operation has been completed as expected.

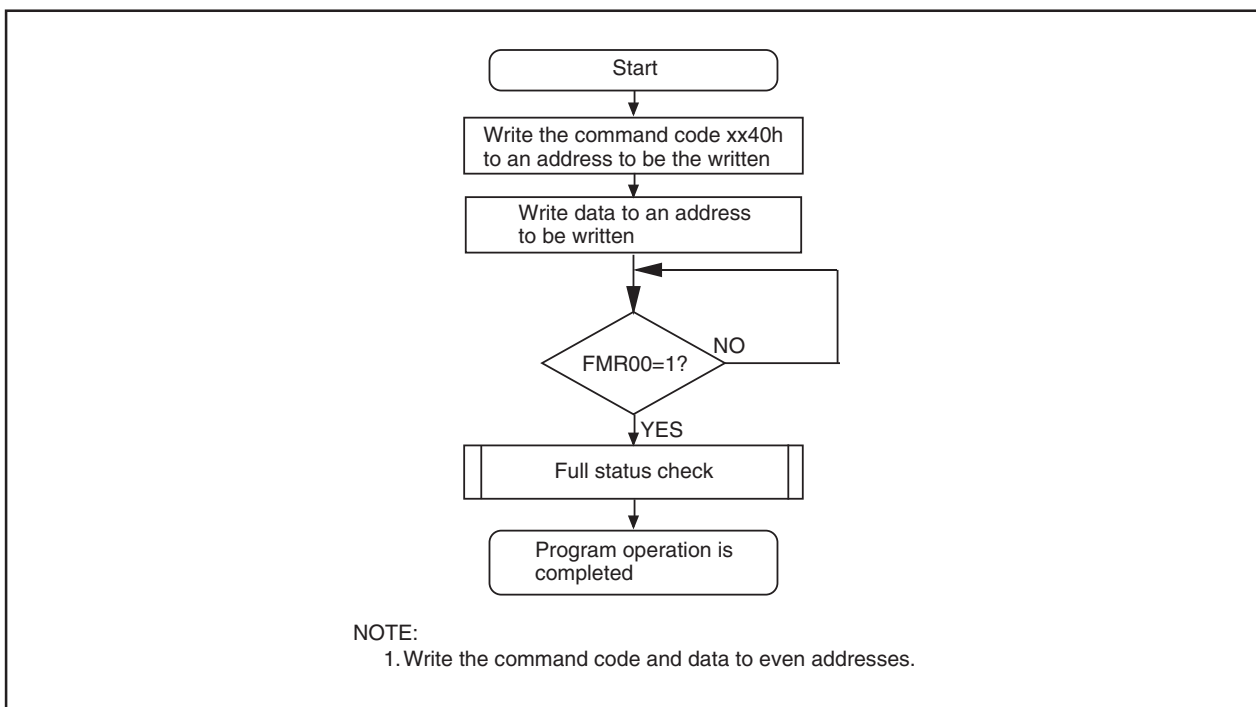


Figure 21.8 Program Command

21.3.5.5 Block Erase Command

The block erase command erases each block.

By writing xx20h in the first bus cycle and xxD0h to the highest-order even address of a block in the second bus cycle, an auto-erase operation (erase and verify) will start in the specified block.

The FMR00 bit in the FMR0 register indicates whether an auto-erase operation has been completed.

The FMR00 bit is set to 0 (busy) during auto-erasure and to 1 (ready) when the auto-erase operation is completed.

After the completion of an auto-erase operation, the FMR07 bit in the FMR0 register indicates whether or not the auto-erase operation has been completed as expected. (Refer to **21.3.8 Full Status Check**.)

Figure 21.9 shows a flow chart of the Block Erase Command.

The lock bit protects each block from being programmed inadvertently. (Refer to **21.3.6 Data Protect Function**.)

In EW1 mode, do not execute this command on the block where the rewrite control program is allocated.

In EW0 mode, the MCU enters read status register mode as soon as an auto-erase operation starts. The status register can be read. The SR7 bit in the status register is set to 0 at the same time an auto-erase operation starts.

It is set to 1 when an auto-erase operation is completed. The MCU remains in read status register mode until the read array command or read lock bit status command is written. Also execute the clear status register command and block erase command at least 3 times until an erase error is not generated when an erase error is generated.

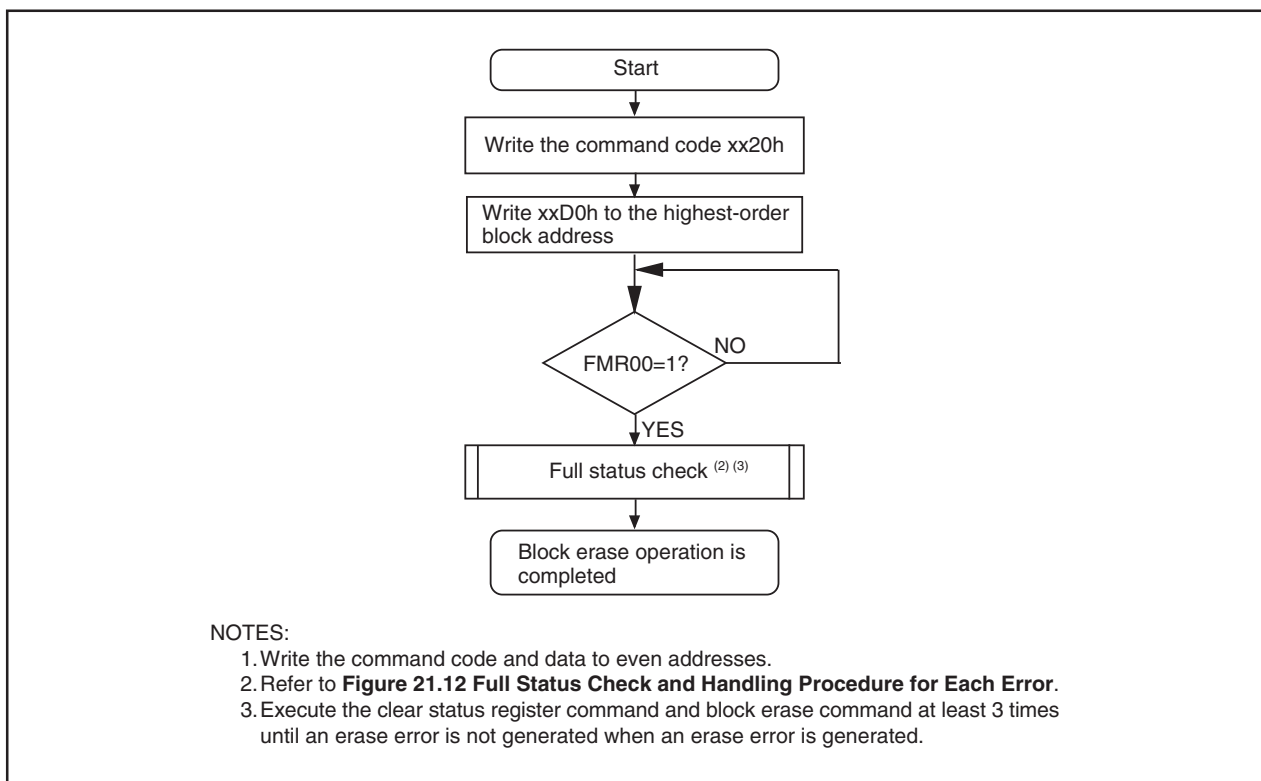


Figure 21.9 Block Erase Command

21.3.5.6 Erase All Unlocked Block

The erase all unlocked block command erases all blocks except the block A.

By writing xxA7h in the first bus cycle and xxD0h in the second bus cycle, an auto-erase (erase and verify) operation will run continuously in all blocks except the block A.

The FMR00 bit in the FMR0 register indicates whether an auto-erase operation has been completed.

After the completion of an auto-erase operation, the FMR07 bit in the FMR0 register indicates whether or not the auto-erase operation has been completed as expected.

The lock bit can protect each block from being programmed inadvertently. (Refer to **21.3.6 Data Protect Function**.)

In EW1 mode, do not execute this command when the lock bit for any block storing the rewrite control program is set to 1 (unlocked) or when the FMR02 bit in the FMR0 register is set to 1 (lock bit disabled).

In EW0 mode, the MCU enters read status register mode as soon as an auto-erase operation starts. The status register can be read. The SR7 bit in the status register is set to 0 (busy) at the same time an auto-erase operation starts. It is set to 1 (ready) when an auto-erase operation is completed. The MCU remains in read status register mode until the read array command or read lock bit status command is written.

Only blocks 0 to 6 can be erased by the erase all unlocked block command. The block A cannot be erased. Use the block erase command to erase the block A.

21.3.5.7 Lock Bit Program Command

The lock bit program command sets the lock bit for a specified block to 0 (locked).

By writing xx77h in the first bus cycle and xxD0h to the highest-order even address of a block in the second bus cycle, the lock bit for the specified block is set to 0. The address value specified in the first bus cycle must be the same highest-order even address of a block specified in the second bus cycle.

Figure 21.10 shows a flow chart of the Lock Bit Program Command. Execute read lock bit status command to read lock bit state (lock bit data).

The FMR00 bit in the FMR0 register indicates whether a lock bit program operation is completed.

Refer to **21.3.6 Data Protect Function** for details on lock bit functions and how to set it to 1 (unlocked).

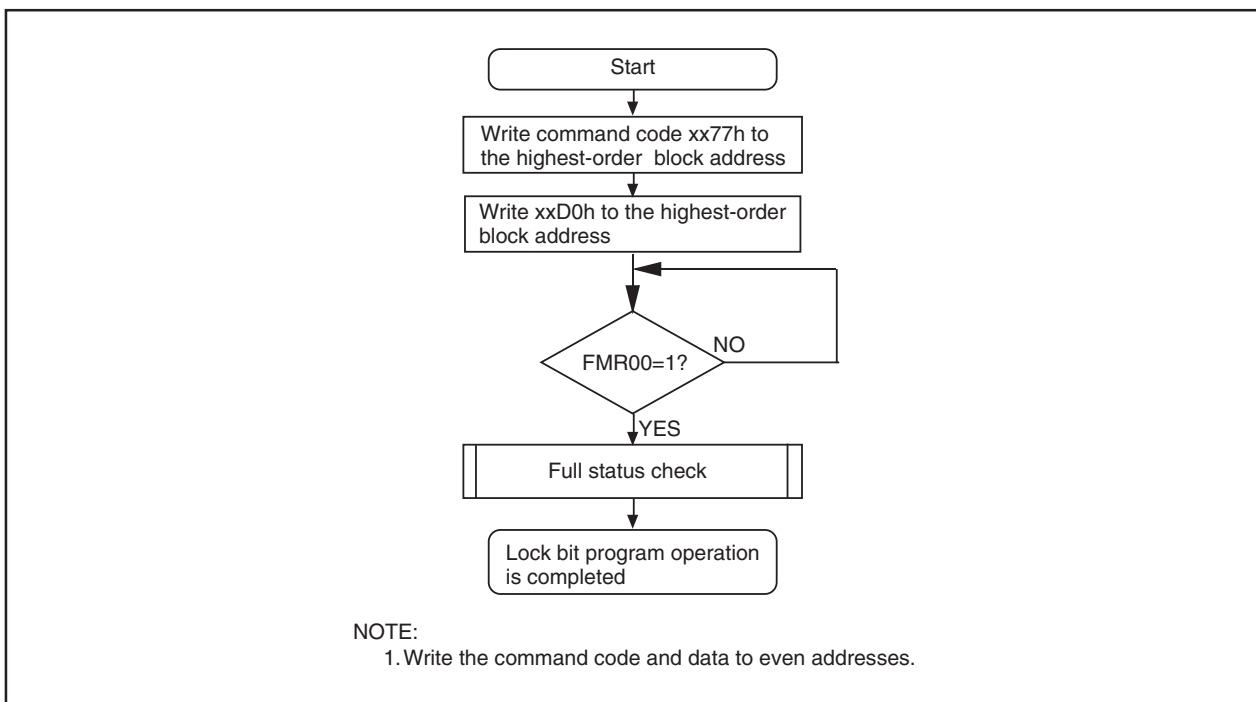


Figure 21.10 Lock Bit Program Command

21.3.5.8 Read Lock Bit Status Command (71h)

The read lock bit status command reads the lock bit state of a specified block.

By writing xx71h in the first bus cycle and xxD0h to the highest-order even address of a block in the second bus cycle, the FMR16 bit in the FMR1 register stores information on whether or not the lock bit of a specified block is locked. Read the FMR16 bit after the FMR00 bit in the FMR0 register is set to 1 (ready).

Figure 21.11 shows a flow chart of the Read Lock Bit Status Command.

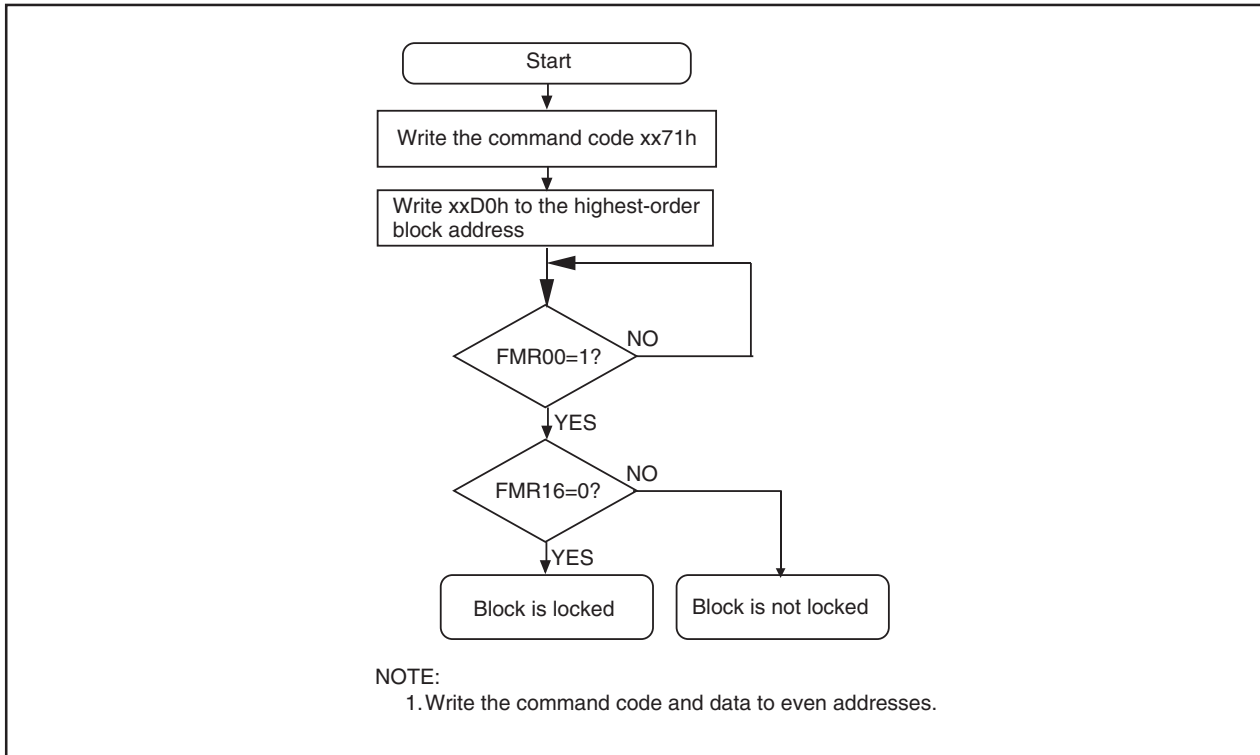


Figure 21.11 Read Lock Bit Status Command

21.3.6 Data Protect Function

Each block in the flash memory has a nonvolatile lock bit. The lock bit is enabled by setting the FMR02 bit in the FMR0 register to 0 (lock bit enabled). The lock bit allows each block to be individually protected (locked) against program and erase. This helps prevent data from being inadvertently written to or erased from the flash memory.

- When the lock bit status is set to 0, the block is locked (block is protected against program and erase).
- When the lock bit status is set to 1, the block is not locked (block can be programmed or erased).

The lock bit status is set to 0 (locked) by executing the lock bit program command and to 1 (unlocked) by erasing the block. The lock bit status cannot be set to 1 by any commands.

The lock bit status can be read by the read lock bit status command.

The lock bit function is disabled by setting the FMR02 bit to 1 (lock bit disabled). All blocks are unlocked. However, individual lock bit status remains unchanged. The lock bit function is enabled by setting the FMR02 bit to 0. Lock bit status is retained.

If the block erase or erase all unlocked block command is executed while the FMR02 bit is set to 1, the target block or all blocks are erased regardless of lock bit status. The lock bit status of each block are set to 1 after an erase operation is completed.

Refer to **21.3.5 Software Commands** for details on each command.

21.3.7 Status Register (SRD Register)

The status register indicates the operating status of the flash memory and whether or not an erase or program operation is completed as expected. Bits FMR00, FMR06, and FMR07 in the FMR0 register indicate status register states.

Table 21.5 shows the Status Register.

In EW0 mode, the status register can be read when the followings occur.

- Given even address in the user ROM area is read after writing the read status register command.
- Given even address in the user ROM area is read from when the program, block erase, erase all unlocked block, or lock bit program command is executed until when the read array command is executed.

21.3.7.1 Sequencer Status (Bits SR7 and FMR00)

The sequencer status indicates the operating status of the flash memory. It is set to 0 while the program, block erase, erase all unlocked block, lock bit program, or read lock bit status command is being executed; otherwise, it is set to 1.

21.3.7.2 Erase Status (Bits SR5 and FMR07)

Refer to **21.3.8 Full Status Check**.

21.3.7.3 Program Status (Bits SR4 and FMR06)

Refer to **21.3.8 Full Status Check**.

Table 21.5 Status Register

Bits in Status Register	Bits in FMR0 Register	Status Name	Contents		Value after Reset
			0	1	
SR0 (D0)	-	Reserved	-	-	-
SR1 (D1)	-	Reserved	-	-	-
SR2 (D2)	-	Reserved	-	-	-
SR3 (D3)	-	Reserved	-	-	-
SR4 (D4)	FMR06	Program status	Terminated normally	Terminated in error	0
SR5 (D5)	FMR07	Erase status	Terminated normally	Terminated in error	0
SR6 (D6)	-	Reserved	-	-	-
SR7 (D7)	FMR00	Sequencer status	Busy	Ready	1

D0 to D7: These data bus are read when the read status register command is executed.

NOTE:

1. Bits FMR06 (SR4) and FMR07 (SR5) are set to 0 by executing the clear status register command. When the FMR06 bit (SR4) or FMR07 bit (SR5) is set to 1, the program, block erase, erase all unlocked block and lock bit program commands are not accepted.

21.3.8 Full Status Check

If an error occurs when a program or erase operation is completed, the FMR06, FMR07 bits in the FMR0 register are set to 1, indicating a specific error. Therefore, execution results can be confirmed by checking these bits (full status check).

Table 21.6 lists the Errors and FMR0 Register Status. Figure 21.12 shows a flow chart of the Full Status Check and Handling Procedure for Each Error.

Table 21.6 Errors and FMR0 Register Status

FRM00 Register (Status Register) Status		Error	Error Occurrence Conditions
FMR07 Bit (SR5)	FMR06 Bit (SR4)		
1	1	Command Sequence error	<ul style="list-style-type: none"> • Command is written incorrectly • A value other than xxD0h or xxFFh is written in the second bus cycle of the lock bit program, block erase or erase all unlocked block command ⁽¹⁾
1	0	Erase error	<ul style="list-style-type: none"> • The block erase command is executed on a locked block ⁽²⁾ • The block erase or erase all unlocked block command is executed on an unlock block and auto-erase operation is not completed as expected
0	1	Program error	<ul style="list-style-type: none"> • The program command is executed on locked blocks ⁽²⁾ • The program command is executed on unlocked blocks and auto-program operation is not completed as expected • The lock bit program command is executed but program operation is not completed as expected

NOTES:

1. The flash memory enters read array mode by writing command code xxFFh in the second bus cycle of these commands. The command code written in the first bus cycle becomes invalid.
2. When the FMR02 bit in the FMR0 register is set to 1 (lock bit disabled), no error occurs even under the conditions above.

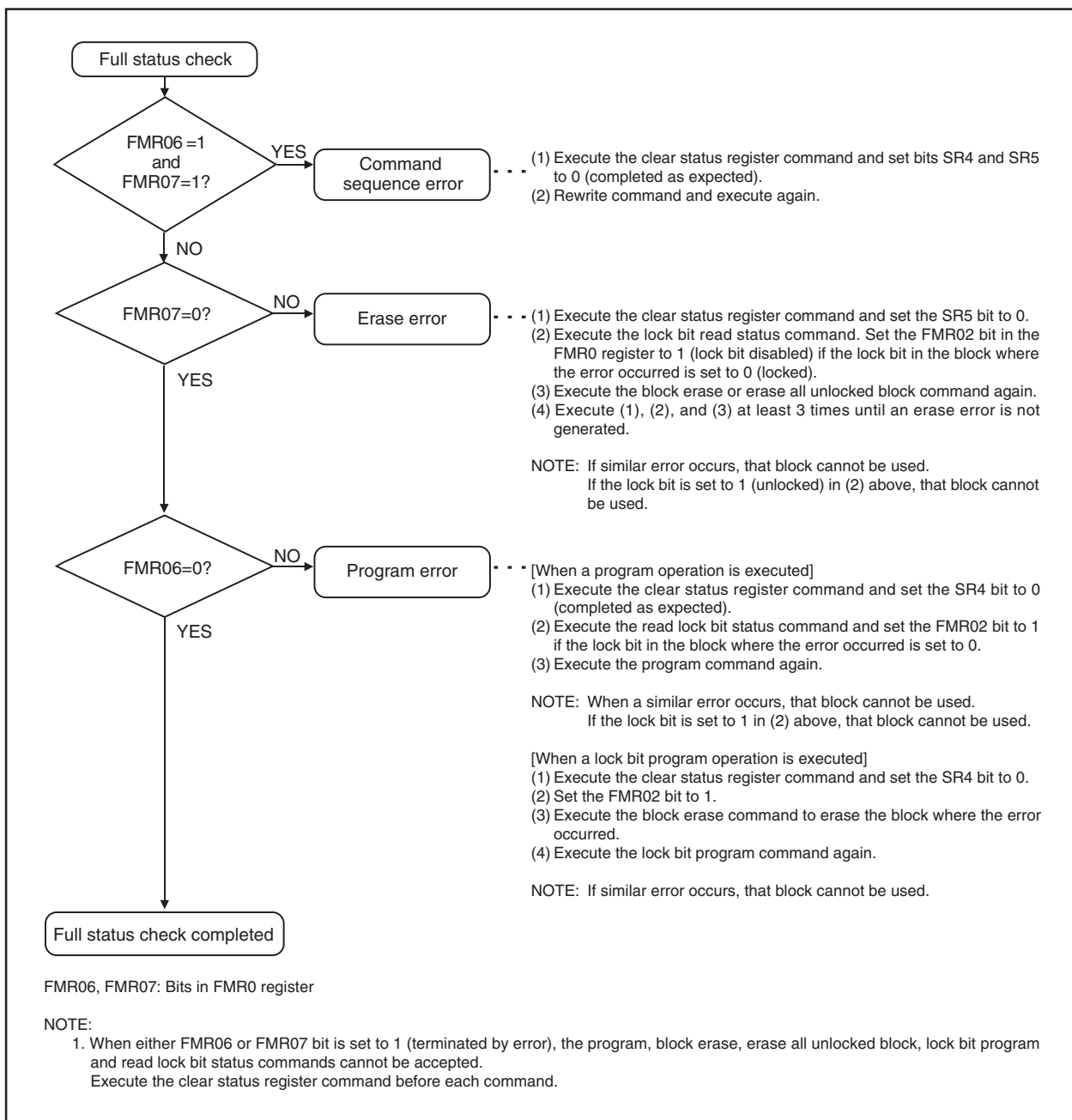


Figure 21.12 Full Status Check and Handling Procedure for Each Error

21.4 Standard Serial I/O Mode

In standard serial I/O mode, the serial programmer supporting the M16C/6N Group (M16C/6N5) can be used to rewrite the flash memory user ROM area in the MCU mounted on a board. For more information about the serial programmer, contact your serial programmer manufacturer. Refer to the user's manual included with your serial programmer for instructions.

Table 21.7 lists the Pin Functions in Standard Serial I/O Mode. Figures 21.13 and 21.14 show the Pin Connections in Standard Serial I/O Mode.

21.4.1 ID Code Check Function

The ID code check function determines whether the ID codes sent from the serial programmer matches those written in the flash memory. (Refer to **21.2 Functions to Prevent Flash Memory from Rewriting.**)

Table 21.7 Pin Functions in Standard Serial I/O Mode

Pin	Name	I/O	Description
VCC1, VCC2, VSS	Power supply input		Apply the Flash Program, Erase Voltage to VCC1 pin and VCC2 to VCC2 pin. The VCC apply condition is that VCC2 = VCC1. Apply 0 V to VSS pin.
CNVSS	CNVSS	I	Connect to VCC1 pin.
RESET	Reset input	I	Reset input pin. While RESET pin is "L" level, input 20 cycles or longer clock to XIN pin.
XIN	Clock input	I	Connect a ceramic resonator or crystal oscillator between XIN and XOUT pins. To input an externally generated clock, input it to XIN pin and open XOUT pin.
XOUT	Clock output	O	
BYTE	BYTE	I	Connect this pin to VCC1 or VSS.
AVCC, AVSS	Analog power supply input		Connect AVCC to VCC1 and AVSS to VSS, respectively.
VREF	Reference voltage input	I	Enter the reference voltage for A/D and D/A converters from this pin.
P0_0 to P0_7	Input port P0	I	Input "H" or "L" level signal or open.
P1_0 to P1_7	Input port P1	I	Input "H" or "L" level signal or open.
P2_0 to P2_7	Input port P2	I	Input "H" or "L" level signal or open.
P3_0 to P3_7	Input port P3	I	Input "H" or "L" level signal or open.
P4_0 to P4_7	Input port P4	I	Input "H" or "L" level signal or open.
P5_0	CE input	I	Input "H" level signal.
P5_1 to P5_4, P5_6, P5_7	Input port P5	I	Input "H" or "L" level signal or open.
P5_5	EPM input	I	Input "L" level signal.
P6_0 to P6_3	Input port P6	I	Input "H" or "L" level signal or open.
P6_4/RTS1	BUSY output	O	Standard serial I/O mode 1: BUSY signal output pin Standard serial I/O mode 2: Monitors the boot program operation check signal output pin.
P6_5/CLK1	SCLK input	I	Standard serial I/O mode 1: Serial clock input pin. Standard serial I/O mode 2: Input "L".
P6_6/RXD1	RXD input	I	Serial data input pin
P6_7/TXD1	TXD output	O	Serial data output pin ⁽¹⁾
P7_0 to P7_7	Input port P7	I	Input "H" or "L" level signal or open.
P8_0 to P8_3, P8_6, P8_7	Input port P8	I	Input "H" or "L" level signal or open.
P8_4	P8_4 input	I	Input "L" level signal. ⁽²⁾
P8_5/NMI	NMI input	I	Connect this pin to VCC1.
P9_0 to P9_4, P9_7	Input port P9	I	Input "H" or "L" level signal or open.
P9_5/CRX0	CRX input	I	Input "H" or "L" level signal or connect to a CAN transceiver.
P9_6/CTX0	CTX output	O	Input "H" level signal, open or connect to a CAN transceiver.
P10_0 to P10_7	Input port P10	I	Input "H" or "L" level signal or open.

NOTES:

1. When using standard serial I/O mode, It is necessary to input "H" to the TXD1(P6_7) pin while the RESET pin is "L". Therefore, the internal pull-up is enabled for the TXD1(P6_7) pin while the RESET pin is "L".
2. When using standard serial I/O mode, pins P0_0 to P0_7, P1_0 to P1_7 may become undefined while the P8_4 pin is "H" and the RESET pin is "L". If this causes a problem, apply "L" to the P8_4 pin.

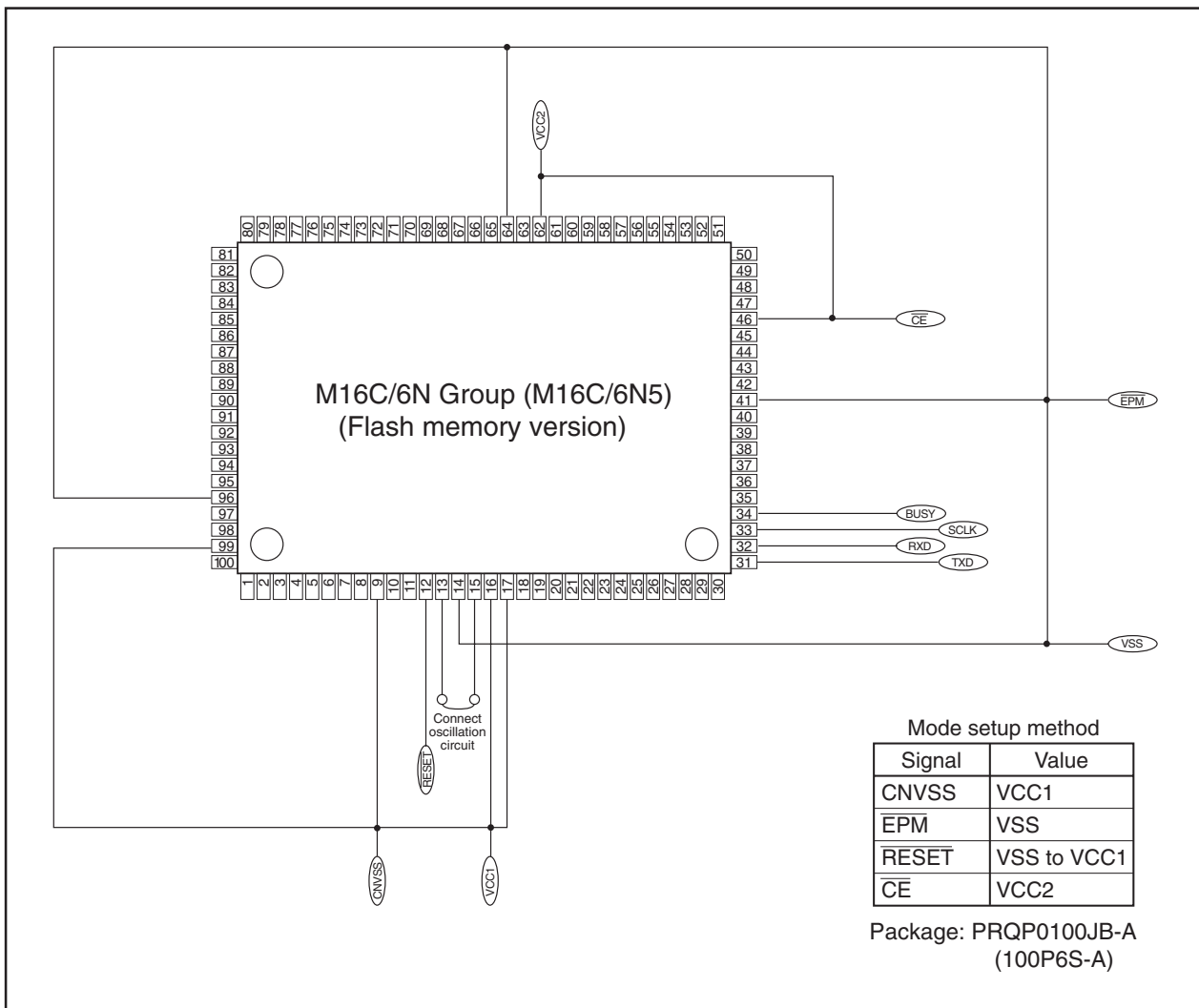


Figure 21.13 Pin Connections in Standard Serial I/O Mode (1)

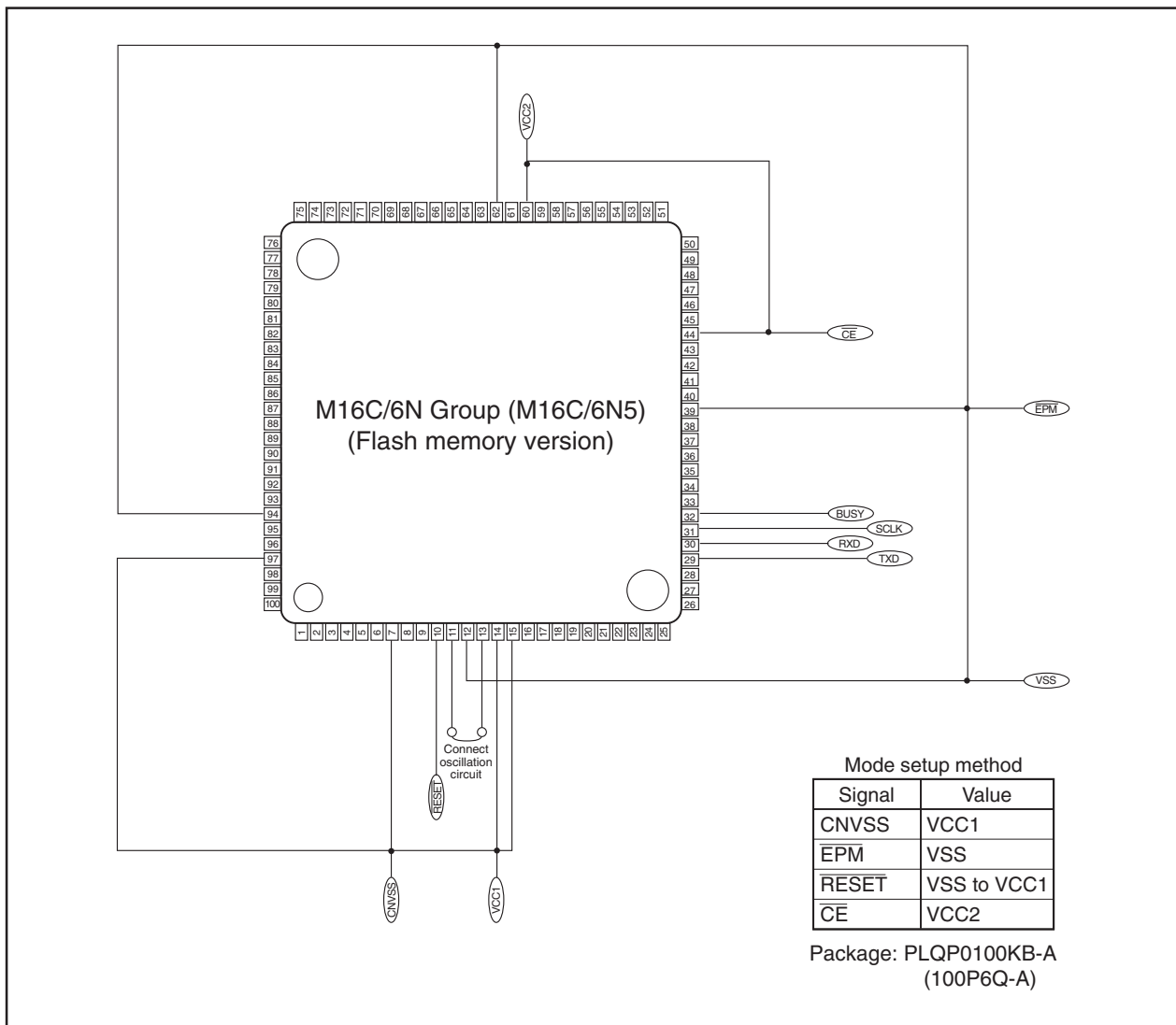


Figure 21.14 Pin Connections in Standard Serial I/O Mode (2)

21.4.2 Example of Circuit Application in Standard Serial I/O Mode

Figures 21.15 and 21.16 show the Circuit Application in Standard Serial I/O Mode 1 and Mode 2. Refer to the user's manual of your serial programmer to handle pins controlled by a serial programmer. Note that when using standard serial I/O mode 2, make sure a main clock input oscillation frequency is set to 5 MHz, 10 MHz, or 16 MHz.

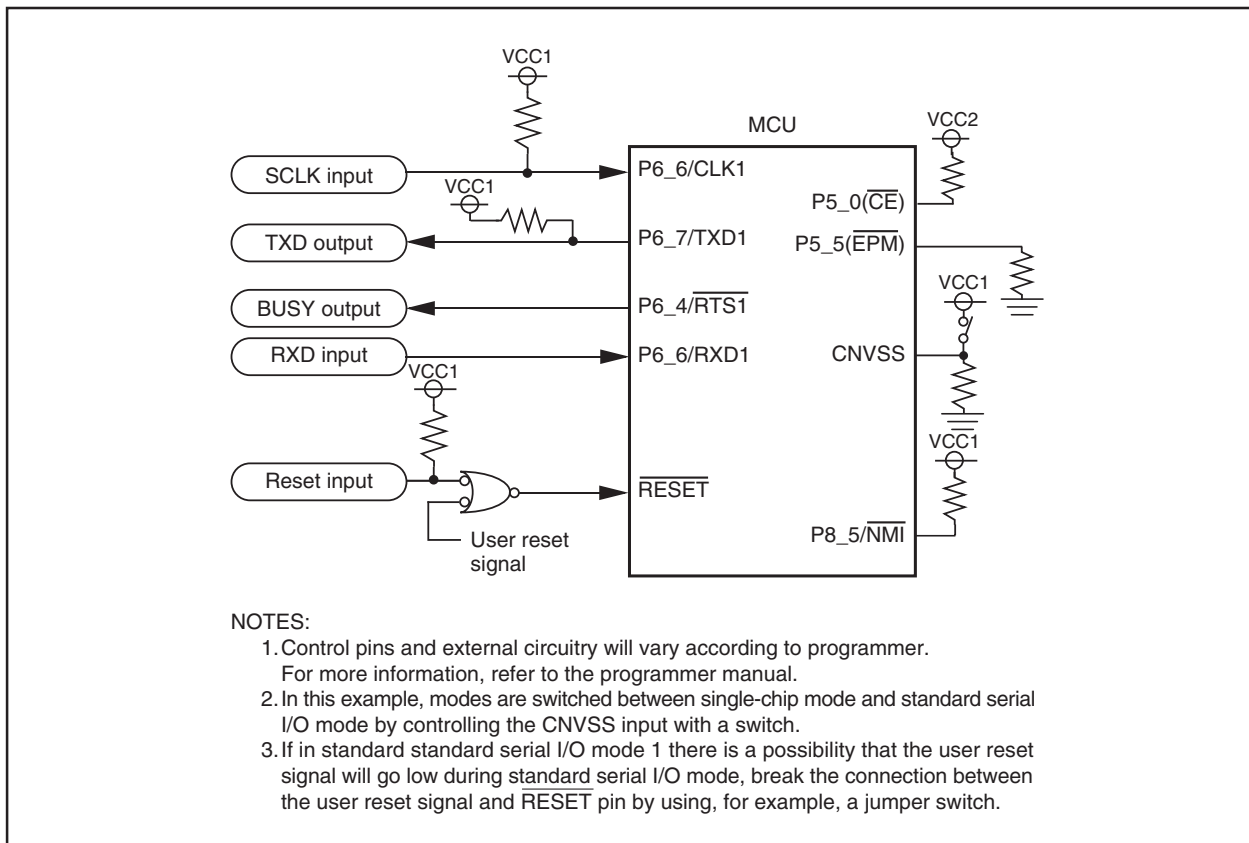


Figure 21.15 Circuit Application in Standard Serial I/O Mode 1

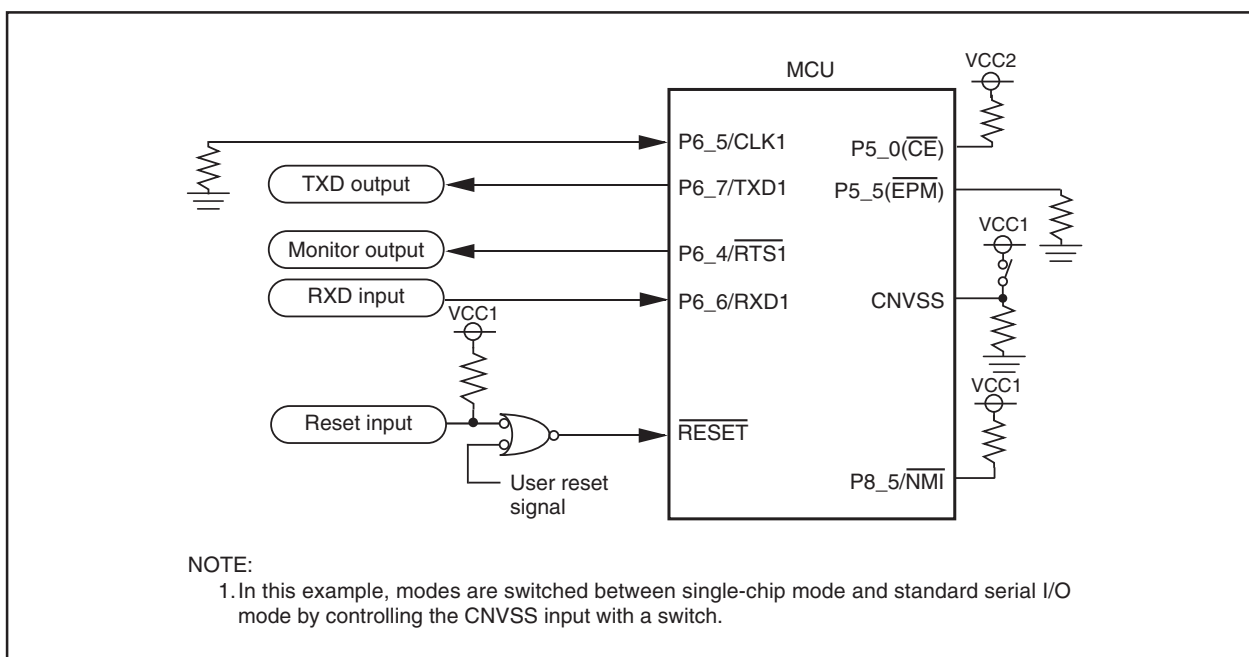


Figure 21.16 Circuit Application in Standard Serial I/O Mode 2

21.5 Parallel I/O Mode

In parallel I/O mode, the user ROM area and the boot ROM area can be rewritten by a parallel programmer supporting the M16C/6N Group (M16C/6N5). Contact your parallel programmer manufacturer for more information on the parallel programmer. Refer to the user's manual included with your parallel programmer for instructions.

21.5.1 User ROM and Boot ROM Areas

An erase block operation in the boot ROM area is applied to only one 4-Kbyte block. The rewrite control program in standard serial I/O and CAN I/O modes are written in the boot ROM area before shipment. Do not rewrite the boot ROM area if using the serial programmer.

In parallel I/O mode, the boot ROM area is located in addresses 0FF000h to 0FFFFFFh. Rewrite this address range only if rewriting the boot ROM area. (Do not access addresses other than addresses 0FF000h to 0FFFFFFh.)

21.5.2 ROM Code Protect Function

The ROM code protect function prevents the flash memory from being read and rewritten in parallel I/O mode. (Refer to **21.2 Functions to Prevent Flash Memory from Rewriting.**)

21.6 CAN I/O Mode

In CAN I/O mode, the CAN programmer supporting the M16C/6N Group (M16C/6N5) can be used to rewrite the flash memory user ROM area in the MCU mounted on a board. For more information about the CAN programmer, contact your CAN programmer manufacturer. Refer to the user's manual included with your CAN programmer for instructions.

Table 21.8 lists pin functions in CAN I/O mode. Figures 21.17 and 21.18 show pin connections in CAN I/O mode.

21.6.1 ID Code Check Function

The ID code check function determines whether the ID codes sent from the CAN programmer matches those written in the flash memory. (Refer to **21.2 Functions to Prevent Flash Memory from Rewriting.**)

Table 21.8 Pin Functions in CAN I/O Mode

Pin	Name	I/O	Description
VCC1, VCC2, VSS	Power supply input		Apply the Flash Program, Erase Voltage to VCC1 pin and VCC2 to VCC2 pin. The VCC apply condition is that VCC2 = VCC1. Apply 0 V to VSS pin.
CNVSS	CNVSS	I	Connect to VCC1 pin.
RESET	Reset input	I	Reset input pin. While RESET pin is "L" level, input 20 cycles or longer clock to XIN pin.
XIN	Clock input	I	Connect a ceramic resonator or crystal oscillator between XIN and XOUT pins. To input an externally generated clock, input it to XIN pin and open XOUT pin.
XOUT	Clock output	O	
BYTE	BYTE	I	Connect this pin to VCC1 or VSS.
AVCC, AVSS	Analog power supply input		Connect AVCC to VCC1 and AVSS to VSS, respectively.
VREF	Reference voltage input	I	Enter the reference voltage for A/D and D/A converters from this pin.
P0_0 to P0_7	Input port P0	I	Input "H" or "L" level signal or open.
P1_0 to P1_7	Input port P1	I	Input "H" or "L" level signal or open.
P2_0 to P2_7	Input port P2	I	Input "H" or "L" level signal or open.
P3_0 to P3_7	Input port P3	I	Input "H" or "L" level signal or open.
P4_0 to P4_7	Input port P4	I	Input "H" or "L" level signal or open.
P5_0	CE input	I	Input "H" level signal.
P5_1 to P5_4, P5_6, P5_7	Input port P5	I	Input "H" or "L" level signal or open.
P5_5	EPM input	I	Input "L" level signal.
P6_0 to P6_4, P6_6	Input port P6	I	Input "H" or "L" level signal or open.
P6_5/CLK1	SCLK input	I	Input "L" level signal.
P6_7/TXD1	TXD output	O	Input "H" level signal.
P7_0 to P7_7	Input port P7	I	Input "H" or "L" level signal or open.
P8_0 to P8_3, P8_6, P8_7	Input port P8	I	Input "H" or "L" level signal or open.
P8_4	P8_4 Input	I	Input "L" level signal. ⁽¹⁾
P8_5/NMI	NMI input	I	Connect this pin to VCC1.
P9_0 to P9_4, P9_7	Input port P9	I	Input "H" or "L" level signal or open.
P9_5/CRX0	CRX input	I	Connect to a CAN transceiver.
P9_6/CTX0	CTX output	O	Connect to a CAN transceiver.
P10_0 to P10_7	Input port P10	I	Input "H" or "L" level signal or open

NOTE:

1. When using CAN I/O mode, pins P0_0 to P0_7, P1_0 to P1_7 may become undefined while the P8_4 pin is "H" and the RESET pin is "L". If this causes a problem, apply "L" to the P8_4 pin.

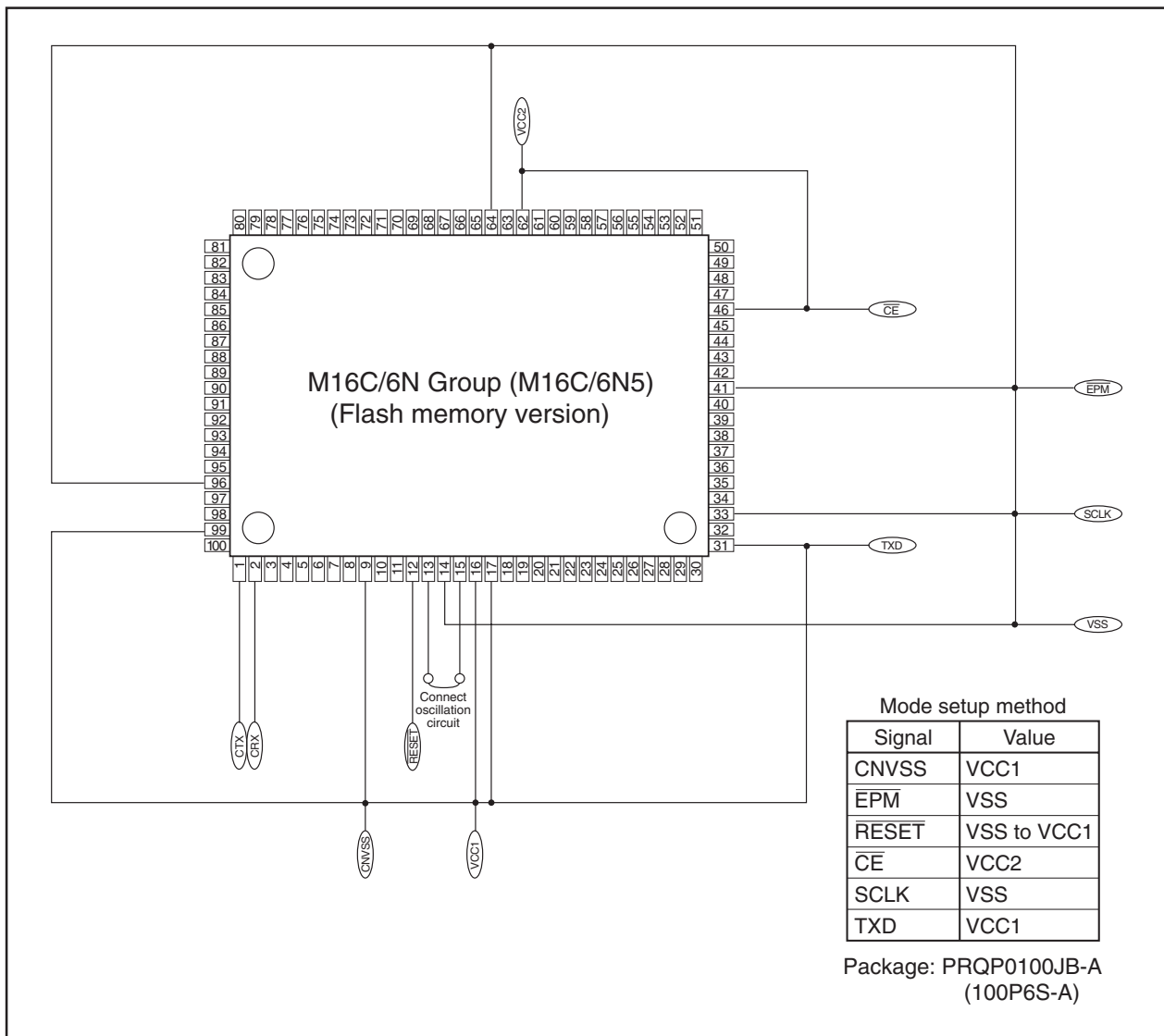


Figure 21.17 Pin Connections in CAN I/O Mode (1)

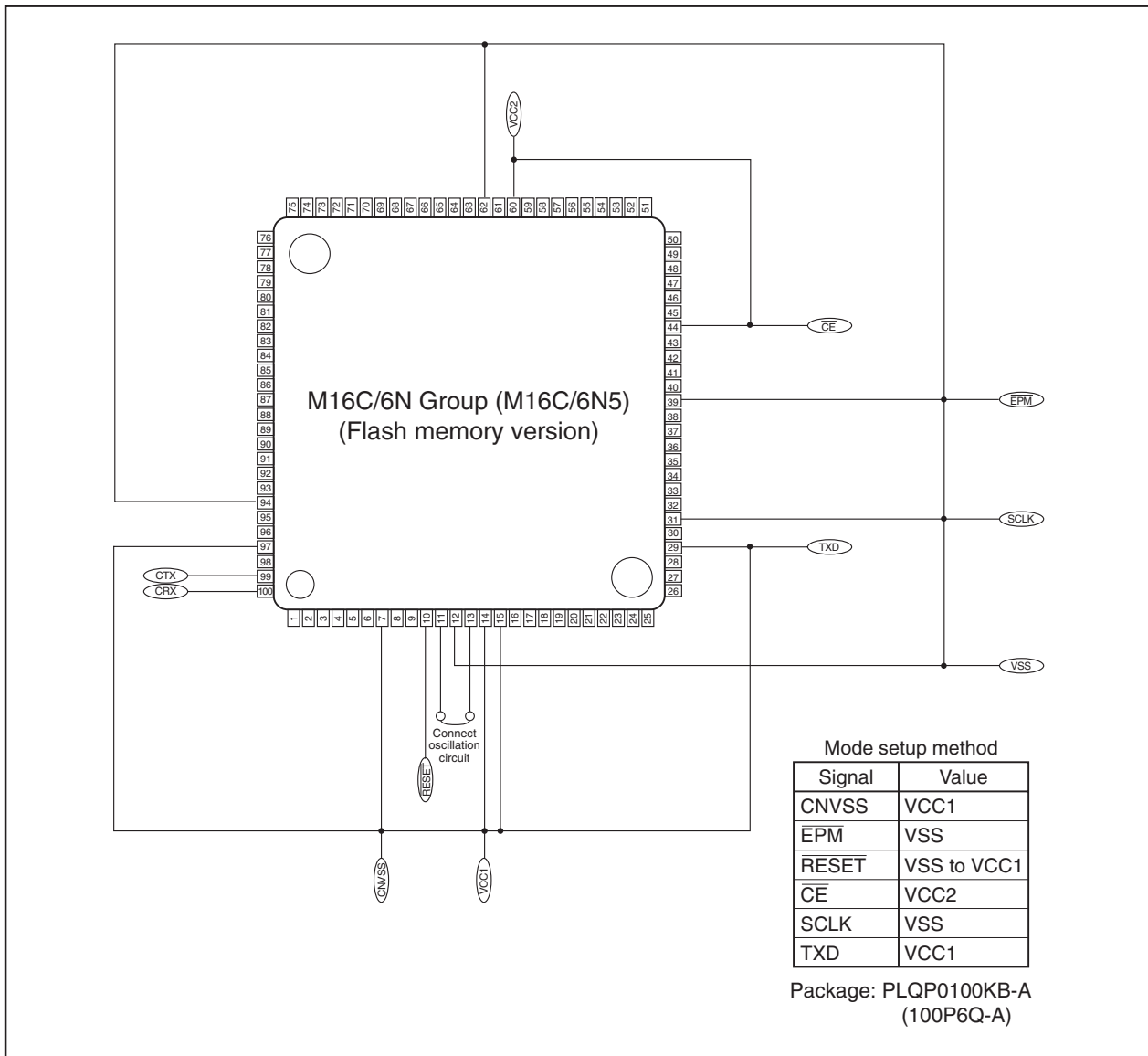


Figure 21.18 Pin Connections in CAN I/O Mode (2)

21.6.2 Example of Circuit Application in CAN I/O Mode

Figure 21.19 shows the Circuit Application in CAN I/O Mode. Refer to the user's manual of your CAN programmer to handle pins controlled by a CAN programmer.

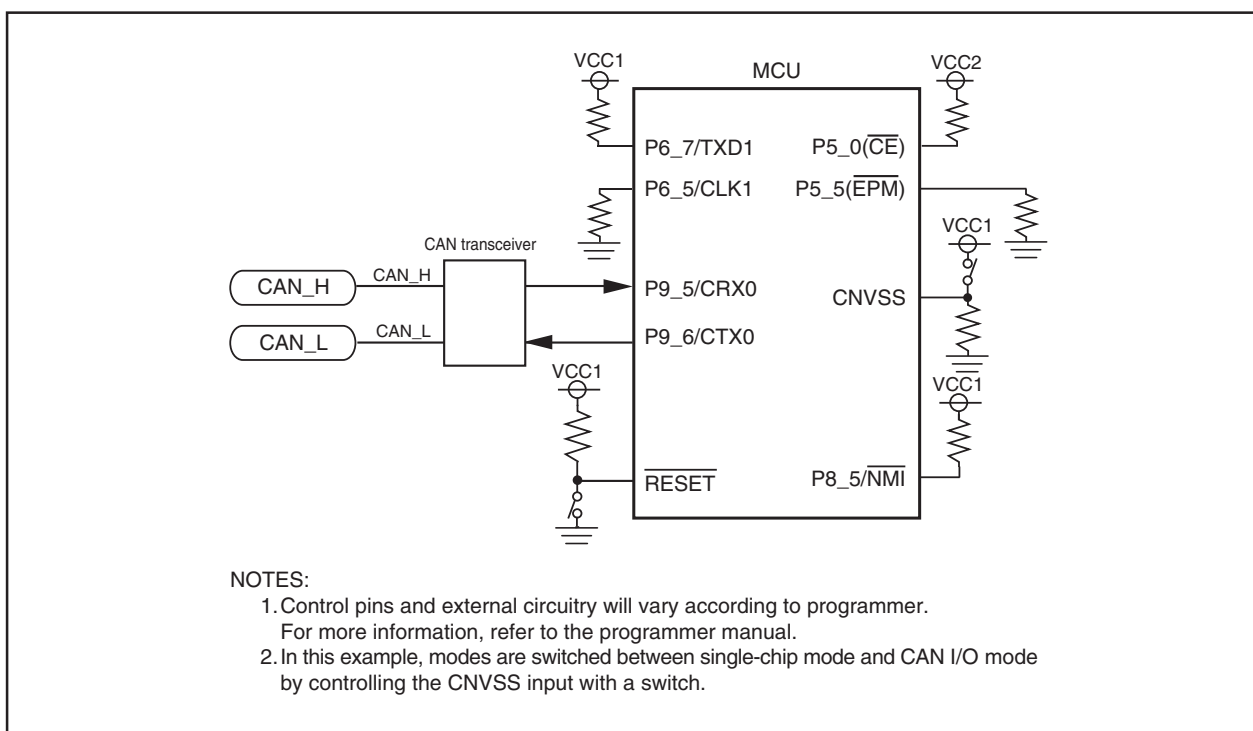


Figure 21.19 Circuit Application in CAN I/O Mode

21.7 Electrical Characteristics

21.7.1 Electrical Characteristics (T/V-ver.)

Table 21.9 lists the Flash Memory Electrical Characteristics. Table 21.10 lists the Flash Memory Version Program/Erase Voltage and Read Operation Voltage Characteristics.

Table 21.9 Flash Memory Version Electrical Characteristics ⁽¹⁾

Symbol	Parameter	Standard			Unit
		Min.	Typ.	Max.	
-	Programming and erasure endurance ⁽²⁾	100			cycle
-	Word program time (VCC = 5.0 V)		25	200	μs
-	Lock bit program time		25	200	μs
-	Block erase time (VCC = 5.0 V)	4-Kbyte block	0.3	4	s
		8-Kbyte block	0.3	4	s
		32-Kbyte block	0.5	4	s
		64-Kbyte block	0.8	4	s
-	Erase all unlocked blocks time			4 × n ⁽³⁾	s
tps	Flash memory circuit stabilization wait time			15	μs

NOTES:

1. Referenced to VCC = 4.5 to 5.5 V, Topr = 0 to 60°C unless otherwise specified.
2. Programming and erasure endurance refers to the number of times a block erase can be performed. If the programming and erasure endurance is n (n = 100), each block can be erased n times. For example, if a 4-Kbyte block A is erased after writing 1 word data 2,048 times, each to a different address, this counts as one programming and erasure endurance. Data cannot be written to the same address more than once without erasing the block (rewrite prohibited).
3. n denotes the number of block erases.

**Table 21.10 Flash Memory Version Program/Erase Voltage and Read Operation Voltage Characteristics
(at Topr = 0 to 60 °C)**

Flash Program, Erase Voltage	Flash Read Operation Voltage
VCC = 5.0 ± 0.5 V	VCC = 4.2 to 5.5 V

21.7.2 Electrical Characteristics (Normal-ver.)

Table 21.11 lists the Flash Memory Electrical Characteristics. Table 21.12 lists the Flash Memory Version Program/Erase Voltage and Read Operation Voltage Characteristics.

Table 21.11 Flash Memory Version Electrical Characteristics ⁽¹⁾

Symbol	Parameter	Standard			Unit
		Min.	Typ.	Max.	
-	Programming and erasure endurance ⁽²⁾	100			cycle
-	Word program time (VCC = 5.0 V)		25	200	μs
-	Lock bit program time		25	200	μs
-	Block erase time (VCC = 5.0 V)	4-Kbyte block	0.3	4	s
		8-Kbyte block	0.3	4	s
		32-Kbyte block	0.5	4	s
		64-Kbyte block	0.8	4	s
-	Erase all unlocked blocks time			4 × n ⁽³⁾	s
tps	Flash memory circuit stabilization wait time			15	μs

NOTES:

1. Referenced to VCC = 4.5 to 5.5 V, 3.0 to 3.6 V, Topr = 0 to 60°C unless otherwise specified.
2. Programming and erasure endurance refers to the number of times a block erase can be performed. If the programming and erasure endurance is n (n = 100), each block can be erased n times. For example, if a 4-Kbyte block A is erased after writing 1 word data 2,048 times, each to a different address, this counts as one programming and erasure endurance. Data cannot be written to the same address more than once without erasing the block (rewrite prohibited).
3. n denotes the number of block erases.

Table 21.12 Flash Memory Version Program/Erase Voltage and Read Operation Voltage Characteristics (at Topr = 0 to 60 °C)

Flash Program, Erase Voltage	Flash Read Operation Voltage
VCC = 3.3 ± 0.3 V or 5.0 ± 0.5 V	VCC = 3.0 to 5.5 V

22. Electrical Characteristics

22.1 Electrical Characteristics (T/V-ver.)

Table 22.1 Absolute Maximum Ratings

Symbol	Parameter		Condition	Rated Value	Unit
V _{cc}	Supply voltage (VCC1 = VCC2)		VCC = AVCC	-0.3 to 6.5	V
AV _{cc}	Analog supply voltage		VCC = AVCC	-0.3 to 6.5	V
V _i	Input voltage	RESET, CNVSS, BYTE, P0_0 to P0_7, P1_0 to P1_7, P2_0 to P2_7, P3_0 to P3_7, P4_0 to P4_7, P5_0 to P5_7, P6_0 to P6_7, P7_0, P7_2 to P7_7, P8_0 to P8_7, P9_0, P9_2 to P9_7, P10_0 to P10_7, VREF, XIN		-0.3 to VCC+0.3	V
		P7_1, P9_1		-0.3 to 6.5	V
V _o	Output voltage	P0_0 to P0_7, P1_0 to P1_7, P2_0 to P2_7, P3_0 to P3_7, P4_0 to P4_7, P5_0 to P5_7, P6_0 to P6_7, P7_0, P7_2 to P7_7, P8_0 to P8_4, P8_6, P8_7, P9_0, P9_2 to P9_7, P10_0 to P10_7, XOUT		-0.3 to VCC+0.3	V
		P7_1, P9_1		-0.3 to 6.5	V
P _d	Power dissipation		T _{opr} = 25°C	700	mW
T _{opr}	Operating ambient temperature	During MCU operation		T version: -40 to 85 V version: -40 to 125 (option)	°C
		During flash memory program and erase operation		0 to 60	
T _{stg}	Storage temperature			-65 to 150	°C

option: All options are on request basis.

Table 22.2 Recommended Operating Conditions (1) ⁽¹⁾

Symbol	Parameter		Standard			Unit
			Min.	Typ.	Max.	
V _{CC}	Supply voltage (V _{CC1} = V _{CC2})		4.2	5.0	5.5	V
AV _{CC}	Analog supply voltage			V _{CC}		V
V _{SS}	Supply voltage			0		V
AV _{SS}	Analog supply voltage			0		V
V _{IH}	HIGH input voltage	P3_1 to P3_7, P4_0 to P4_7, P5_0 to P5_7, P6_0 to P6_7, P7_0, P7_2 to P7_7, P8_0 to P8_7, P9_0, P9_2 to P9_7, P10_0 to P10_7, XIN, RESET, CNVSS, BYTE	0.8 V _{CC}		V _{CC}	V
		P7_1, P9_1	0.8 V _{CC}		6.5	V
		P0_0 to P0_7, P1_0 to P1_7, P2_0 to P2_7, P3_0 (During single-chip mode)	0.8 V _{CC}		V _{CC}	V
		P0_0 to P0_7, P1_0 to P1_7, P2_0 to P2_7, P3_0 (Data input during memory expansion and microprocessor modes)	0.5 V _{CC}		V _{CC}	V
V _{IL}	LOW input voltage	P3_1 to P3_7, P4_0 to P4_7, P5_0 to P5_7, P6_0 to P6_7, P7_0 to P7_7, P8_0 to P8_7, P9_0 to P9_7, P10_0 to P10_7, XIN, RESET, CNVSS, BYTE	0		0.2 V _{CC}	V
		P0_0 to P0_7, P1_0 to P1_7, P2_0 to P2_7, P3_0 (During single-chip mode)	0		0.2 V _{CC}	V
		P0_0 to P0_7, P1_0 to P1_7, P2_0 to P2_7, P3_0 (Data input during memory expansion and microprocessor modes)	0		0.16 V _{CC}	V
I _{OH(peak)}	HIGH peak output current	P0_0 to P0_7, P1_0 to P1_7, P2_0 to P2_7, P3_0 to P3_7, P4_0 to P4_7, P5_0 to P5_7, P6_0 to P6_7, P7_0, P7_2 to P7_7, P8_0 to P8_4, P8_6, P8_7, P9_0, P9_2 to P9_7, P10_0 to P10_7			-10.0	mA
I _{OH(avg)}	HIGH average output current	P0_0 to P0_7, P1_0 to P1_7, P2_0 to P2_7, P3_0 to P3_7, P4_0 to P4_7, P5_0 to P5_7, P6_0 to P6_7, P7_0, P7_2 to P7_7, P8_0 to P8_4, P8_6, P8_7, P9_0, P9_2 to P9_7, P10_0 to P10_7			-5.0	mA
I _{OL(peak)}	LOW peak output current	P0_0 to P0_7, P1_0 to P1_7, P2_0 to P2_7, P3_0 to P3_7, P4_0 to P4_7, P5_0 to P5_7, P6_0 to P6_7, P7_0 to P7_7, P8_0 to P8_4, P8_6, P8_7, P9_0 to P9_7, P10_0 to P10_7			10.0	mA
I _{OL(avg)}	LOW average output current	P0_0 to P0_7, P1_0 to P1_7, P2_0 to P2_7, P3_0 to P3_7, P4_0 to P4_7, P5_0 to P5_7, P6_0 to P6_7, P7_0 to P7_7, P8_0 to P8_4, P8_6, P8_7, P9_0 to P9_7, P10_0 to P10_7			5.0	mA

NOTES:

1. Referenced to V_{CC} = 4.2 to 5.5 V at T_{opr} = -40 to 85°C unless otherwise specified.
2. Average output current values during 100 ms period.
3. The total I_{OL(peak)} for ports P0, P1, P2, P8_6, P8_7, P9, and P10 must be 80 mA max.
The total I_{OL(peak)} for ports P3, P4, P5, P6, P7, and P8_0 to P8_4 must be 80 mA max.
The total I_{OH(peak)} for ports P0, P1, and P2 must be -40 mA max.
The total I_{OH(peak)} for ports P3, P4, and P5 must be -40 mA max.
The total I_{OH(peak)} for ports P6, P7, and P8_0 to P8_4 must be -40 mA max.
The total I_{OH(peak)} for ports P8_6, P8_7, P9, and P10 must be -40 mA max.

Table 22.3 Recommended Operating Conditions (2) ⁽¹⁾

Symbol	Parameter			Standard			Unit	
				Min.	Typ.	Max.		
f(XIN)	Main clock input oscillation frequency ^{(2) (3) (4)}	No wait	Mask ROM version Flash memory version	VCC = 4.2 to 5.5 V	0		16	MHz
f(XCIN)	Sub clock oscillation frequency					32.768	50	kHz
f(Ring)	On-chip oscillation frequency					1		MHz
f(PLL)	PLL clock oscillation frequency				16		20	MHz
f(BCLK)	CPU operation clock			VCC = 4.2 to 5.5 V	0		20	MHz
t _{su(PLL)}	PLL frequency synthesizer stabilization wait time						20	ms
f _(ripple)	Power supply ripple allowable frequency (VCC)						10	kHz
V _{P-P(ripple)}	Power supply ripple allowable amplitude voltage			VCC = 5 V			0.5	V
V _{CC(ΔV/ΔT)}	Power supply ripple rising/falling gradient			VCC = 5 V			0.3	V/ms

NOTES:

1. Referenced to VCC = 4.2 to 5.5 V at Topr = -40 to 85°C unless otherwise specified.
2. Relationship between main clock oscillation frequency and supply voltage is shown right.
3. Execute program/erase of flash memory by VCC = 5.0 ± 0.5 V.
4. When using over 16 MHz, use PLL clock. PLL clock oscillation frequency which can be used is 16 MHz or 20 MHz.

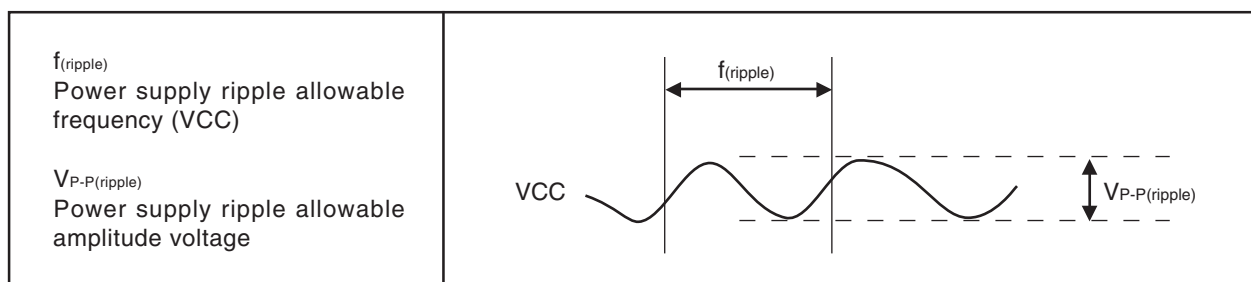
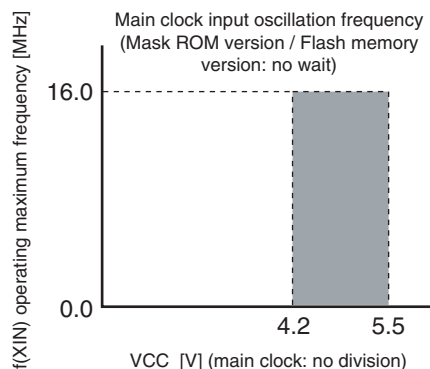


Figure 22.1 Voltage Fluctuation Timing

Table 22.4 Electrical Characteristics (1) ⁽¹⁾

Symbol	Parameter		Measuring Condition	Standard			Unit	
				Min.	Typ.	Max.		
V _{OH}	HIGH output voltage	P0_0 to P0_7, P1_0 to P1_7, P2_0 to P2_7, P3_0 to P3_7, P4_0 to P4_7, P5_0 to P5_7, P6_0 to P6_7, P7_0, P7_2 to P7_7, P8_0 to P8_4, P8_6, P8_7, P9_0, P9_2 to P9_7, P10_0 to P10_7	I _{OH} = -5 mA	V _{CC} -2.0		V _{CC}	V	
V _{OH}	HIGH output voltage	P0_0 to P0_7, P1_0 to P1_7, P2_0 to P2_7, P3_0 to P3_7, P4_0 to P4_7, P5_0 to P5_7, P6_0 to P6_7, P7_0, P7_2 to P7_7, P8_0 to P8_4, P8_6, P8_7, P9_0, P9_2 to P9_7, P10_0 to P10_7	I _{OH} = -200 μA	V _{CC} -0.3		V _{CC}	V	
V _{OH}	HIGH output voltage	XOUT	HIGHPOWER	I _{OH} = -1 mA	3.0	V _{CC}	V	
			LOWPOWER	I _{OH} = -0.5 mA	3.0	V _{CC}		
	HIGH output voltage	XCOU _T	HIGHPOWER	With no load applied		2.5		V
			LOWPOWER	With no load applied		1.6		
V _{OL}	LOW output voltage	P0_0 to P0_7, P1_0 to P1_7, P2_0 to P2_7, P3_0 to P3_7, P4_0 to P4_7, P5_0 to P5_7, P6_0 to P6_7, P7_0 to P7_7, P8_0 to P8_4, P8_6, P8_7, P9_0 to P9_7, P10_0 to P10_7	I _{OL} = 5 mA			2.0	V	
V _{OL}	LOW output voltage	P0_0 to P0_7, P1_0 to P1_7, P2_0 to P2_7, P3_0 to P3_7, P4_0 to P4_7, P5_0 to P5_7, P6_0 to P6_7, P7_0 to P7_7, P8_0 to P8_4, P8_6, P8_7, P9_0 to P9_7, P10_0 to P10_7	I _{OL} = 200 μA			0.45	V	
V _{OL}	LOW output voltage	XOUT	HIGHPOWER	I _{OL} = 1 mA		2.0	V	
			LOWPOWER	I _{OL} = 0.5 mA		2.0		
	LOW output voltage	XCOU _T	HIGHPOWER	With no load applied		0		V
			LOWPOWER	With no load applied		0		
V _{T+} -V _{T-}	Hysteresis	HOLD, RDY, TA0IN to TA4IN, TB0IN to TB5IN, INT0 to INT5, NMI, ADTRG, CTS0 to CTS2, SCL0 to SCL2, SDA0 to SDA2, CLK0 to CLK3, TA0OUT to TA4OUT, K _{I0} to K _{I3} , RXD0 to RXD2, SIN3		0.2		1.0	V	
V _{T+} -V _{T-}	Hysteresis	RESET		0.2		2.5	V	
I _{IH}	HIGH input current	P0_0 to P0_7, P1_0 to P1_7, P2_0 to P2_7, P3_0 to P3_7, P4_0 to P4_7, P5_0 to P5_7, P6_0 to P6_7, P7_0 to P7_7, P8_0 to P8_7, P9_0 to P9_7, P10_0 to P10_7, XIN, RESET, CNVSS, BYTE	V _I = 5 V			5.0	μA	
I _{IL}	LOW input current	P0_0 to P0_7, P1_0 to P1_7, P2_0 to P2_7, P3_0 to P3_7, P4_0 to P4_7, P5_0 to P5_7, P6_0 to P6_7, P7_0 to P7_7, P8_0 to P8_7, P9_0 to P9_7, P10_0 to P10_7, XIN, RESET, CNVSS, BYTE	V _I = 0 V			-5.0	μA	
R _{PULLUP}	Pull-up resistance	P0_0 to P0_7, P1_0 to P1_7, P2_0 to P2_7, P3_0 to P3_7, P4_0 to P4_7, P5_0 to P5_7, P6_0 to P6_7, P7_0, P7_2 to P7_7, P8_0 to P8_4, P8_6, P8_7, P9_0, P9_2 to P9_7, P10_0 to P10_7	V _I = 0 V	30	50	170	kΩ	
R _{IXIN}	Feedback resistance	XIN			1.5		MΩ	
R _{IXCIN}	Feedback resistance	XCIN			15		MΩ	
V _{RAM}	RAM retention voltage		At stop mode	2.0			V	

NOTES:

1. Referenced to V_{CC} = 4.2 to 5.5 V, V_{SS} = 0 V at T_{opr} = -40 to 85°C, f(BCLK) = 20 MHz unless otherwise specified.

Table 22.5 Electrical Characteristics (2) ⁽¹⁾

Symbol	Parameter		Measuring Condition		Standard			Unit
					Min.	Typ.	Max.	
I _{cc}	Power supply current (VCC = 4.2 to 5.5 V)	In single-chip mode, the output pins are open and other pins are VSS.	Mask ROM	f(BCLK) = 20 MHz, PLL operation, No division		16	28	mA
				On-chip oscillation, No division		1		mA
			Flash memory	f(BCLK) = 20 MHz, PLL operation, No division		18	30	mA
				On-chip oscillation, No division		1.8		mA
			Flash memory program	f(BCLK) = 10 MHz, VCC = 5 V		15		mA
			Flash memory erase	f(BCLK) = 10 MHz, VCC = 5 V		25		mA
			Mask ROM	f(BCLK) = 32 kHz, Low power dissipation mode, ROM ⁽²⁾		25		μA
			Flash memory	f(BCLK) = 32 kHz, Low power dissipation mode, RAM ⁽²⁾		25		μA
				f(BCLK) = 32 kHz, Low power dissipation mode, Flash memory ⁽²⁾		420		μA
				Mask ROM Flash memory	On-chip oscillation, Wait mode		50	
				f(BCLK) = 32 kHz, Wait mode ⁽³⁾ , Oscillation capacity High		8.5		μA
				f(BCLK) = 32 kHz, Wait mode ⁽³⁾ , Oscillation capacity Low		3.0		μA
				Stop mode, Topr = 25°C		0.8	3.0	μA

NOTES:

1. Referenced to VCC = 4.2 to 5.5 V, VSS = 0 V at Topr = -40 to 85°C, f(BCLK) = 20 MHz unless otherwise specified.
2. This indicates the memory in which the program to be executed exists.
3. With one timer operated using fC32.

Table 22.6 A/D Conversion Characteristics ⁽¹⁾

Symbol	Parameter		Measuring Condition		Standard			Unit
					Min.	Typ.	Max.	
–	Resolution		VREF = VCC				10	Bit
INL	Integral nonlinearity error	10 bits	VREF = VCC = 5 V	ANEX0, ANEX1 input, AN0 to AN7 input, AN0_0 to AN0_7 input, AN2_0 to AN2_7 input			±3	LSB
		8 bits		VREF = AVCC = VCC = 5 V	External operation amp connection mode			±7
–	Absolute accuracy	10 bits	VREF = VCC = 5 V	ANEX0, ANEX1 input, AN0 to AN7 input, AN0_0 to AN0_7 input, AN2_0 to AN2_7 input			±3	LSB
		8 bits		VREF = AVCC = VCC = 5 V	External operation amp connection mode			±7
DNL	Differential nonlinearity error						±1	LSB
–	Offset error						±3	LSB
–	Gain error						±3	LSB
R _{LADDER}	Resistor ladder		VREF = VCC		10		40	kΩ
t _{CONV}	10-bit conversion time, sample & hold available		VREF = VCC = 5 V, φAD = 10 MHz		3.3			μs
	8-bit conversion time, sample & hold available		VREF = VCC = 5 V, φAD = 10 MHz		2.8			μs
t _{SAMP}	Sampling time				0.3			μs
V _{REF}	Reference voltage				2.0		V _{CC}	V
V _{IA}	Analog input voltage				0		V _{REF}	V

NOTES:

1. Referenced to VCC = AVCC = VREF = 4.2 to 5.5 V, VSS = AVSS = 0 V, –40 to 85°C unless otherwise specified.
2. φAD frequency must be 10 MHz or less.
3. When sample & hold is disabled, φAD frequency must be 250kHz or more in addition to a limit of NOTE 2.
When sample & hold is enabled, φAD frequency must be 1MHz or more in addition to a limit of NOTE 2.

Table 22.7 D/A conversion Characteristics ⁽¹⁾

Symbol	Parameter		Measuring condition		Standard			Unit
					Min.	Typ.	Max.	
–	Resolution						8	Bits
–	Absolute accuracy						1.0	%
t _{su}	Setup time						3	μs
R _o	Output resistance				4	10	20	kΩ
I _{VREF}	Reference power supply input current		(NOTE 2)				1.5	mA

NOTES:

1. Referenced to VCC = AVCC = VREF = 4.2 to 5.5 V, VSS = AVSS = 0 V, –40 to 85°C unless otherwise specified.
2. This applies when using one D/A converter, with the DAi register (i = 0, 1) for the unused D/A converter set to 00h.
The resistor ladder of the A/D converter is not included. Also, the I_{VREF} will flow even if VREF is disconnected by the ADCON1 register.

Table 22.8 Power Supply Circuit Timing Characteristics

Symbol	Parameter	Measuring Condition	Standard			Unit
			Min.	Typ.	Max.	
$t_{d(P-R)}$	Time for internal power supply stabilization during powering-on	VCC = 4.2 to 5.5 V			2	ms
$t_{d(R-S)}$	STOP release time				150	μ s
$t_{d(W-S)}$	Low power dissipation mode wait mode release time				150	μ s

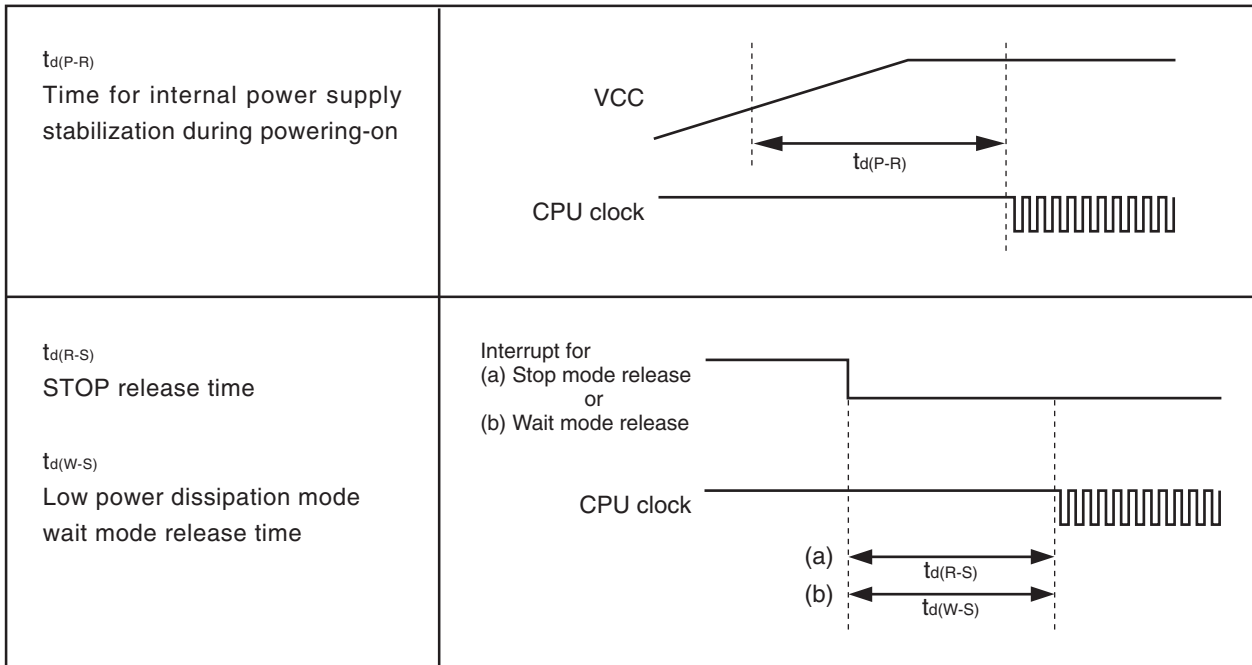


Figure 22.2 Power Supply Circuit Timing Diagram

Timing Requirements**VCC = 5 V****(Referenced to VCC = 5 V, VSS = 0 V, at Topr = –40 to 85°C unless otherwise specified)****Table 22.9 External Clock Input (XIN Input)**

Symbol	Parameter	Standard		Unit
		Min.	Max.	
t _c	External clock input cycle time	62.5		ns
t _{w(H)}	External clock input HIGH pulse width	25		ns
t _{w(L)}	External clock input LOW pulse width	25		ns
t _r	External clock rise time		15	ns
t _f	External clock fall time		15	ns

Table 22.10 Memory Expansion Mode and Microprocessor Mode

Symbol	Parameter	Standard		Unit
		Min.	Max.	
t _{ac1(RD-DB)}	Data input access time (for setting with no wait)		(NOTE 1)	ns
t _{ac2(RD-DB)}	Data input access time (for setting with wait)		(NOTE 2)	ns
t _{ac3(RD-DB)}	Data input access time (when accessing multiplexed bus area)		(NOTE 3)	ns
t _{su(DB-RD)}	Data input setup time	40		ns
t _{su(RDY-BCLK)}	RDY input setup time	30		ns
t _{su(HOLD-BCLK)}	HOLD input setup time	40		ns
t _{h(RD-DB)}	Data input hold time	0		ns
t _{h(BCLK-RDY)}	RDY input hold time	0		ns
t _{h(BCLK-HOLD)}	HOLD input hold time	0		ns

NOTES:

1. Calculated according to the BCLK frequency as follows:

$$\frac{0.5 \times 10^9}{f(\text{BCLK})} - 45 \text{ [ns]}$$

2. Calculated according to the BCLK frequency as follows:

$$\frac{(n-0.5) \times 10^9}{f(\text{BCLK})} - 45 \text{ [ns]} \quad n \text{ is "2" for 1-wait setting, "3" for 2-wait setting and "4" for 3-wait setting.}$$

3. Calculated according to the BCLK frequency as follows:

$$\frac{(n-0.5) \times 10^9}{f(\text{BCLK})} - 45 \text{ [ns]} \quad n \text{ is "2" for 2-wait setting, "3" for 3-wait setting.}$$

Timing Requirements**VCC = 5 V****(Referenced to VCC = 5 V, VSS = 0 V, at Topr = -40 to 85°C unless otherwise specified)****Table 22.11 Timer A Input (Counter Input in Event Counter Mode)**

Symbol	Parameter	Standard		Unit
		Min.	Max.	
$t_{c(TA)}$	TAiIN input cycle time	100		ns
$t_{w(TAH)}$	TAiIN input HIGH pulse width	40		ns
$t_{w(TAL)}$	TAiIN input LOW pulse width	40		ns

Table 22.12 Timer A Input (Gating Input in Timer Mode)

Symbol	Parameter	Standard		Unit
		Min.	Max.	
$t_{c(TA)}$	TAiIN input cycle time	400		ns
$t_{w(TAH)}$	TAiIN input HIGH pulse width	200		ns
$t_{w(TAL)}$	TAiIN input LOW pulse width	200		ns

Table 22.13 Timer A Input (External Trigger Input in One-shot Timer Mode)

Symbol	Parameter	Standard		Unit
		Min.	Max.	
$t_{c(TA)}$	TAiIN input cycle time	200		ns
$t_{w(TAH)}$	TAiIN input HIGH pulse width	100		ns
$t_{w(TAL)}$	TAiIN input LOW pulse width	100		ns

Table 22.14 Timer A Input (External Trigger Input in Pulse Width Modulation Mode)

Symbol	Parameter	Standard		Unit
		Min.	Max.	
$t_{w(TAH)}$	TAiIN input HIGH pulse width	100		ns
$t_{w(TAL)}$	TAiIN input LOW pulse width	100		ns

Table 22.15 Timer A Input (Counter Increment/decrement Input in Event Counter Mode)

Symbol	Parameter	Standard		Unit
		Min.	Max.	
$t_{c(UP)}$	TAiOUT input cycle time	2000		ns
$t_{w(UPH)}$	TAiOUT input HIGH pulse width	1000		ns
$t_{w(UPL)}$	TAiOUT input LOW pulse width	1000		ns
$t_{su(UP-TIN)}$	TAiOUT input setup time	400		ns
$t_h(TIN-UP)$	TAiOUT input hold time	400		ns

Table 22.16 Timer A Input (Two-phase Pulse Input in Event Counter Mode)

Symbol	Parameter	Standard		Unit
		Min.	Max.	
$t_{c(TA)}$	TAiIN input cycle time	800		ns
$t_{su(TAIN-TAOUT)}$	TAiOUT input setup time	200		ns
$t_{su(TAOUT-TAIN)}$	TAiIN input setup time	200		ns

Timing Requirements**VCC = 5 V****(Referenced to VCC = 5 V, VSS = 0 V, at Topr = -40 to 85°C unless otherwise specified)****Table 22.17 Timer B Input (Counter Input in Event Counter Mode)**

Symbol	Parameter	Standard		Unit
		Min.	Max.	
$t_{c(TB)}$	TBiIN input cycle time (counted on one edge)	100		ns
$t_{w(TBH)}$	TBiIN input HIGH pulse width (counted on one edge)	40		ns
$t_{w(TBL)}$	TBiIN input LOW pulse width (counted on one edge)	40		ns
$t_{c(TB)}$	TBiIN input cycle time (counted on both edges)	200		ns
$t_{w(TBH)}$	TBiIN input HIGH pulse width (counted on both edges)	80		ns
$t_{w(TBL)}$	TBiIN input LOW pulse width (counted on both edges)	80		ns

Table 22.18 Timer B Input (Pulse Period Measurement Mode)

Symbol	Parameter	Standard		Unit
		Min.	Max.	
$t_{c(TB)}$	TBiIN input cycle time	400		ns
$t_{w(TBH)}$	TBiIN input HIGH pulse width	200		ns
$t_{w(TBL)}$	TBiIN input LOW pulse width	200		ns

Table 22.19 Timer B Input (Pulse Width Measurement Mode)

Symbol	Parameter	Standard		Unit
		Min.	Max.	
$t_{c(TB)}$	TBiIN input cycle time	400		ns
$t_{w(TBH)}$	TBiIN input HIGH pulse width	200		ns
$t_{w(TBL)}$	TBiIN input LOW pulse width	200		ns

Table 22.20 A/D Trigger Input

Symbol	Parameter	Standard		Unit
		Min.	Max.	
$t_{c(AD)}$	ADTRG $\bar{}$ input cycle time (trigger able minimum)	1000		ns
$t_{w(ADL)}$	ADTRG $\bar{}$ input LOW pulse width	125		ns

Table 22.21 Serial Interface

Symbol	Parameter	Standard		Unit
		Min.	Max.	
$t_{c(CK)}$	CLKi input cycle time	200		ns
$t_{w(CKH)}$	CLKi input HIGH pulse width	100		ns
$t_{w(CKL)}$	CLKi input LOW pulse width	100		ns
$t_{d(C-Q)}$	TXDi output delay time		80	ns
$t_{h(C-Q)}$	TXDi hold time	0		ns
$t_{su(D-C)}$	RXDi input setup time	70		ns
$t_{h(C-D)}$	RXDi input hold time	90		ns

Table 22.22 External Interrupt INTi Input

Symbol	Parameter	Standard		Unit
		Min.	Max.	
$t_{w(INH)}$	INTi input HIGH pulse width	250		ns
$t_{w(INL)}$	INTi input LOW pulse width	250		ns

Switching Characteristics**VCC = 5 V****(Referenced to VCC = 5 V, VSS = 0 V, at Topr = –40 to 85 °C unless otherwise specified)****Table 22.23 Memory Expansion Mode and Microprocessor Mode (for setting with no wait)**

Symbol	Parameter	Measuring Condition	Standard		Unit
			Min.	Max.	
$t_{d(BCLK-AD)}$	Address output delay time	Figure 22.3		25	ns
$t_{h(BCLK-AD)}$	Address output hold time (in relation to BCLK)		4		ns
$t_{h(RD-AD)}$	Address output hold time (in relation to RD)		0		ns
$t_{h(WR-AD)}$	Address output hold time (in relation to WR)		(NOTE 1)		ns
$t_{d(BCLK-CS)}$	Chip select output delay time			25	ns
$t_{h(BCLK-CS)}$	Chip select output hold time (in relation to BCLK)		4		ns
$t_{d(BCLK-ALE)}$	ALE signal output delay time			15	ns
$t_{h(BCLK-ALE)}$	ALE signal output hold time		–4		ns
$t_{d(BCLK-RD)}$	RD signal output delay time			25	ns
$t_{h(BCLK-RD)}$	RD signal output hold time		0		ns
$t_{d(BCLK-WR)}$	WR signal output delay time			25	ns
$t_{h(BCLK-WR)}$	WR signal output hold time		0		ns
$t_{d(BCLK-DB)}$	Data output delay time (in relation to BCLK)			40	ns
$t_{h(BCLK-DB)}$	Data output hold time (in relation to BCLK) ⁽³⁾		4		ns
$t_{d(DB-WR)}$	Data output delay time (in relation to WR)		(NOTE 2)		ns
$t_{h(WR-DB)}$	Data output hold time (in relation to WR) ⁽³⁾		(NOTE 1)		ns
$t_{d(BCLK-HLDA)}$	HLDA output delay time		40	ns	

NOTES:

1. Calculated according to the BCLK frequency as follows:

$$\frac{0.5 \times 10^9}{f(\text{BCLK})} - 10 \text{ [ns]}$$

2. Calculated according to the BCLK frequency as follows:

$$\frac{0.5 \times 10^9}{f(\text{BCLK})} - 40 \text{ [ns]} \quad f(\text{BCLK}) \text{ is } 12.5 \text{ MHz or less.}$$

3. This standard value shows the timing when the output is off, and does not show hold time of data bus.

Hold time of data bus varies with capacitor volume and pull-up (pull-down) resistance value.

Hold time of data bus is expressed in

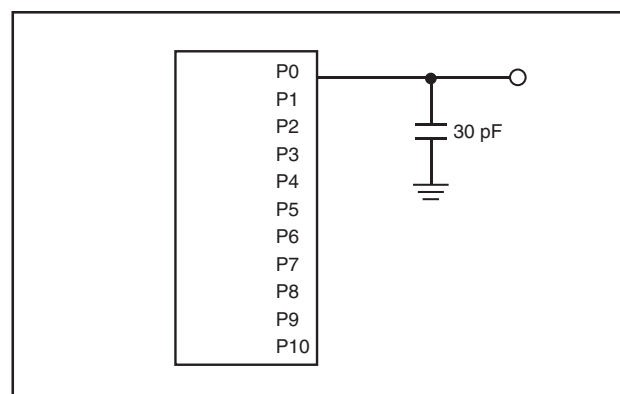
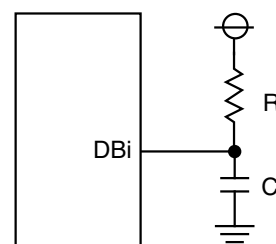
$$t = -CR \times \ln(1 - V_{OL} / V_{CC})$$

by a circuit of the right figure.

For example, when $V_{OL} = 0.2 V_{CC}$, $C = 30 \text{ pF}$,

$R = 1 \text{ k}\Omega$, hold time of output "L" level is

$$t = -30 \text{ pF} \times 1 \text{ k}\Omega \times \ln(1 - 0.2 V_{CC} / V_{CC}) = 6.7 \text{ ns.}$$

**Figure 22.3 Port P0 to P10 Measurement Circuit**

Switching Characteristics**VCC = 5 V****(Referenced to VCC = 5 V, VSS = 0 V, at Topr = -40 to 85 °C unless otherwise specified)****Table 22.24 Memory Expansion Mode and Microprocessor Mode (for 1- to 3-wait setting and external area access)**

Symbol	Parameter	Measuring Condition	Standard		Unit
			Min.	Max.	
t _d (BCLK-AD)	Address output delay time	Figure 22.3		25	ns
t _h (BCLK-AD)	Address output hold time (in relation to BCLK)		4		ns
t _h (RD-AD)	Address output hold time (in relation to RD)		0		ns
t _h (WR-AD)	Address output hold time (in relation to WR)		(NOTE 1)		ns
t _d (BCLK-CS)	Chip select output delay time			25	ns
t _h (BCLK-CS)	Chip select output hold time (in relation to BCLK)		4		ns
t _d (BCLK-ALE)	ALE signal output delay time			15	ns
t _h (BCLK-ALE)	ALE signal output hold time		-4		ns
t _d (BCLK-RD)	RD signal output delay time			25	ns
t _h (BCLK-RD)	RD signal output hold time		0		ns
t _d (BCLK-WR)	WR signal output delay time			25	ns
t _h (BCLK-WR)	WR signal output hold time		0		ns
t _d (BCLK-DB)	Data output delay time (in relation to BCLK)			40	ns
t _h (BCLK-DB)	Data output hold time (in relation to BCLK) ⁽³⁾		4		ns
t _d (DB-WR)	Data output delay time (in relation to WR)		(NOTE 2)		ns
t _h (WR-DB)	Data output hold time (in relation to WR) ⁽³⁾		(NOTE 1)		ns
t _d (BCLK-HLDA)	HLDA output delay time		40	ns	

NOTES:

1. Calculated according to the BCLK frequency as follows:

$$\frac{0.5 \times 10^9}{f(\text{BCLK})} - 10 \text{ [ns]}$$

2. Calculated according to the BCLK frequency as follows:

$$\frac{(n - 0.5) \times 10^9}{f(\text{BCLK})} - 40 \text{ [ns]}$$

n is "1" for 1-wait setting, "2" for 2-wait setting and "3" for 3-wait setting.
When n = 1, f(BCLK) is 12.5 MHz or less.

3. This standard value shows the timing when the output is off, and does not show hold time of data bus.

Hold time of data bus varies with capacitor volume and pull-up (pull-down) resistance value.

Hold time of data bus is expressed in

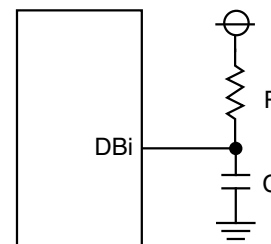
$$t = -CR \times \ln(1 - V_{OL} / V_{CC})$$

by a circuit of the right figure.

For example, when $V_{OL} = 0.2 V_{CC}$, $C = 30 \text{ pF}$,

$R = 1 \text{ k}\Omega$, hold time of output "L" level is

$$t = -30 \text{ pF} \times 1 \text{ k}\Omega \times \ln(1 - 0.2 V_{CC} / V_{CC}) = 6.7 \text{ ns.}$$



Switching Characteristics**VCC = 5 V****(Referenced to VCC = 5 V, VSS = 0 V, at Topr = –40 to 85 °C unless otherwise specified)****Table 22.25 Memory Expansion Mode and Microprocessor Mode
(for 2- to 3-wait setting, external area access and multiplexed bus selection)**

Symbol	Parameter	Measuring Condition	Standard		Unit
			Min.	Max.	
t _d (BCLK-AD)	Address output delay time	Figure 22.3		25	ns
t _h (BCLK-AD)	Address output hold time (in relation to BCLK)		4		ns
t _h (RD-AD)	Address output hold time (in relation to RD)		(NOTE 1)		ns
t _h (WR-AD)	Address output hold time (in relation to WR)		(NOTE 1)		ns
t _d (BCLK-CS)	Chip select output delay time			25	ns
t _h (BCLK-CS)	Chip select output hold time (in relation to BCLK)		4		ns
t _h (RD-CS)	Chip select output hold time (in relation to RD)		(NOTE 1)		ns
t _h (WR-CS)	Chip select output hold time (in relation to WR)		(NOTE 1)		ns
t _d (BCLK-RD)	RD signal output delay time			25	ns
t _h (BCLK-RD)	RD signal output hold time		0		ns
t _d (BCLK-WR)	WR signal output delay time			25	ns
t _h (BCLK-WR)	WR signal output hold time		0		ns
t _d (BCLK-DB)	Data output delay time (in relation to BCLK)			40	ns
t _h (BCLK-DB)	Data output hold time (in relation to BCLK)		4		ns
t _d (DB-WR)	Data output delay time (in relation to WR)		(NOTE 2)		ns
t _h (WR-DB)	Data output hold time (in relation to WR)		(NOTE 1)		ns
t _d (BCLK-HLDA)	HLDA output delay time			40	ns
t _d (BCLK-ALE)	ALE signal output delay time (in relation to BCLK)			15	ns
t _h (BCLK-ALE)	ALE signal output hold time (in relation to BCLK)		–4		ns
t _d (AD-ALE)	ALE signal output delay time (in relation to Address)		(NOTE 3)		ns
t _h (ALE-AD)	ALE signal output hold time (in relation to Address)		(NOTE 4)		ns
t _d (AD-RD)	RD signal output delay from the end of Address		0		ns
t _d (AD-WR)	WR signal output delay from the end of Address		0		ns
t _{dZ} (RD-AD)	Address output floating start time			8	ns

NOTES:

1. Calculated according to the BCLK frequency as follows:

$$\frac{0.5 \times 10^9}{f(\text{BCLK})} - 10 \text{ [ns]}$$

2. Calculated according to the BCLK frequency as follows:

$$\frac{(n - 0.5) \times 10^9}{f(\text{BCLK})} - 40 \text{ [ns]} \quad n \text{ is "2" for 2-wait setting, "3" for 3-wait setting.}$$

3. Calculated according to the BCLK frequency as follows:

$$\frac{0.5 \times 10^9}{f(\text{BCLK})} - 25 \text{ [ns]}$$

4. Calculated according to the BCLK frequency as follows:

$$\frac{0.5 \times 10^9}{f(\text{BCLK})} - 15 \text{ [ns]}$$

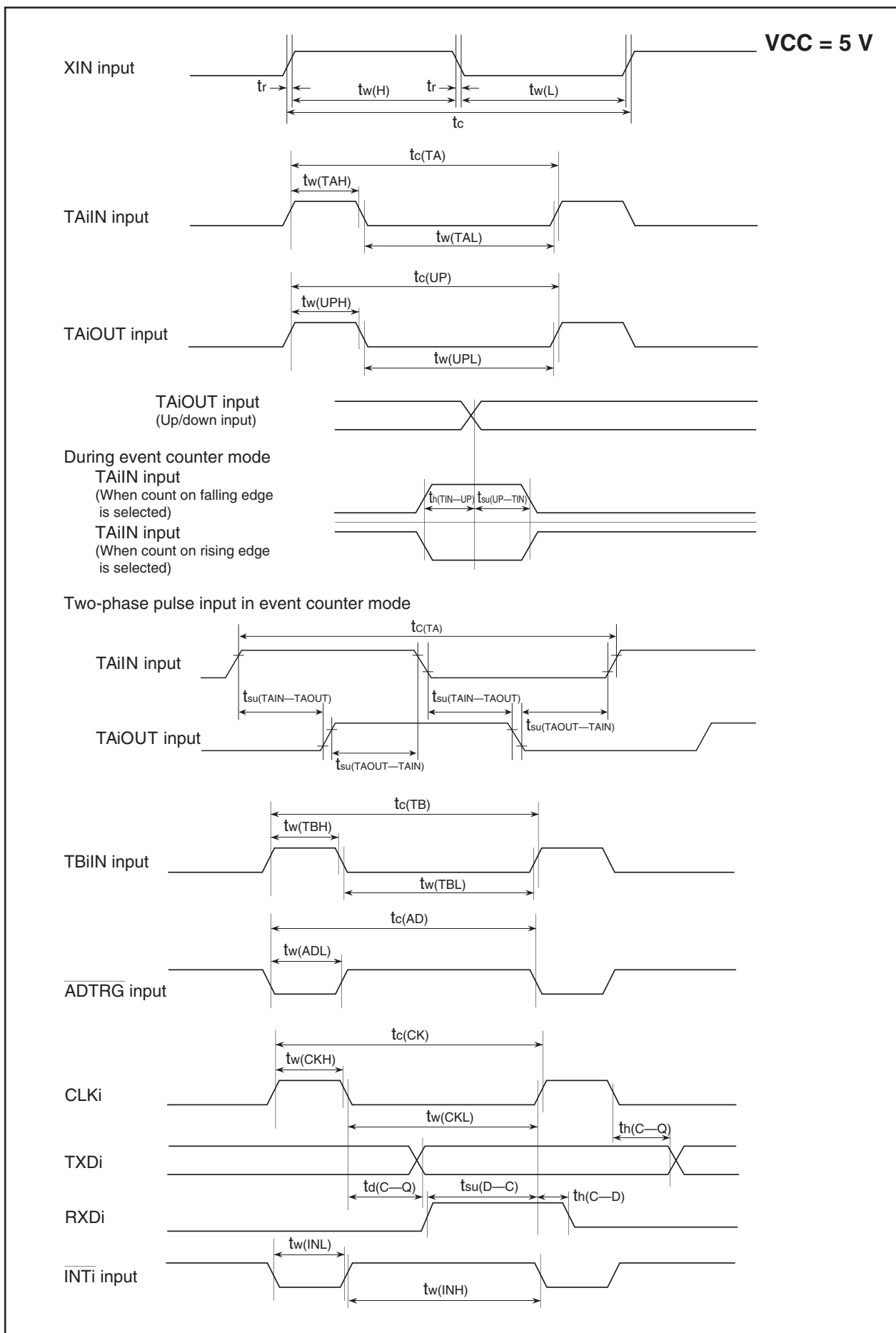


Figure 22.4 Timing Diagram (1)

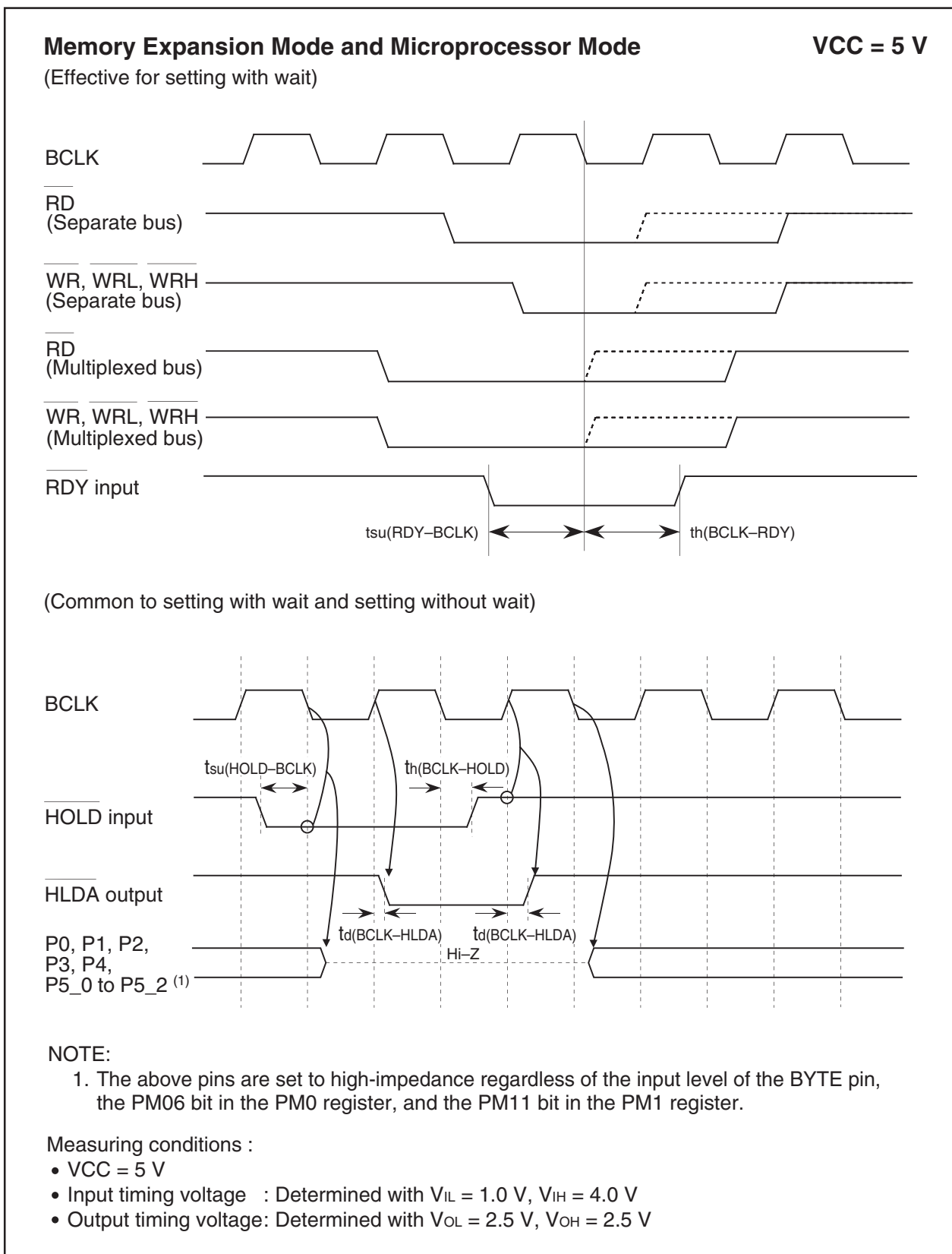


Figure 22.5 Timing Diagram (2)

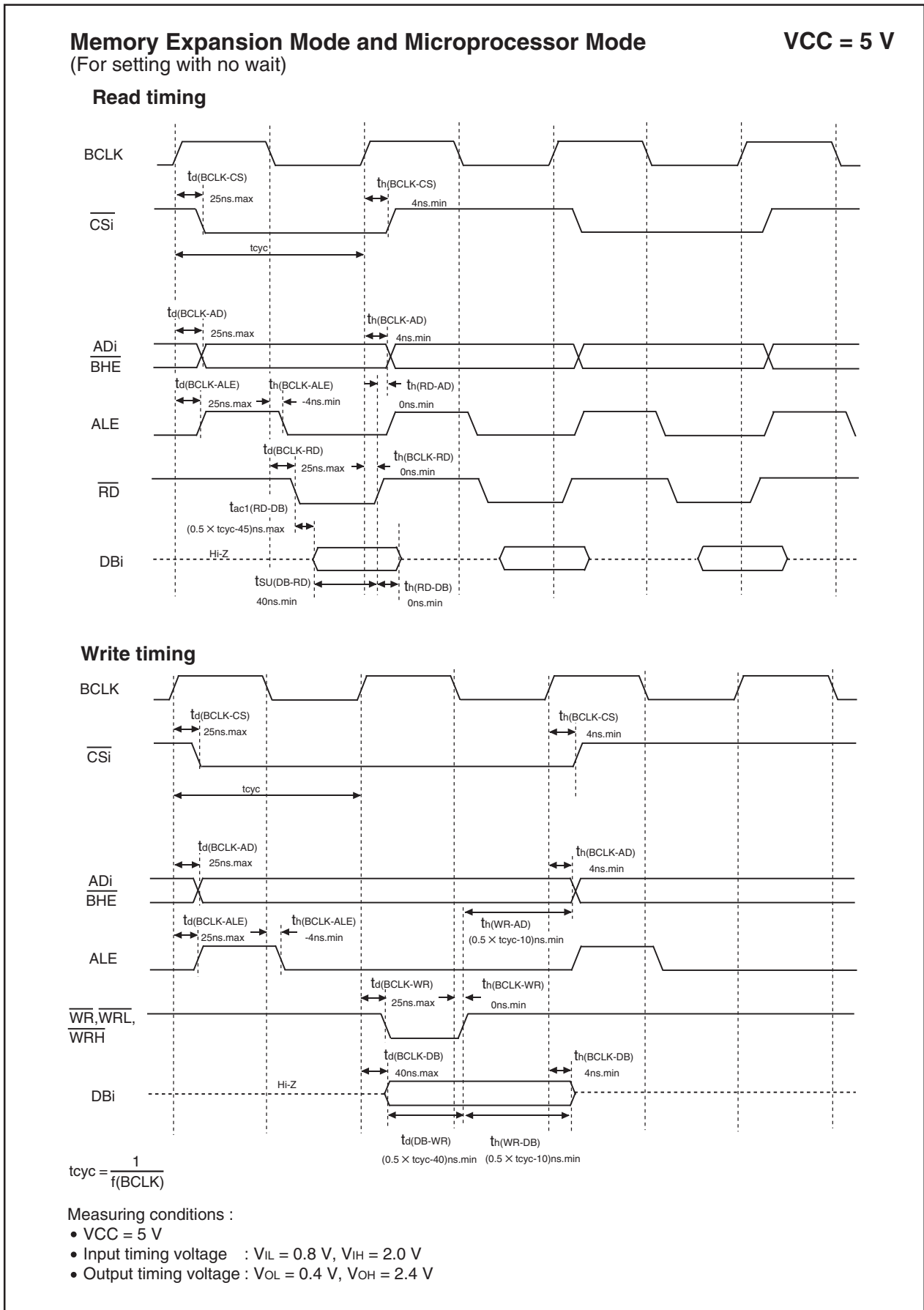


Figure 22.6 Timing Diagram (3)

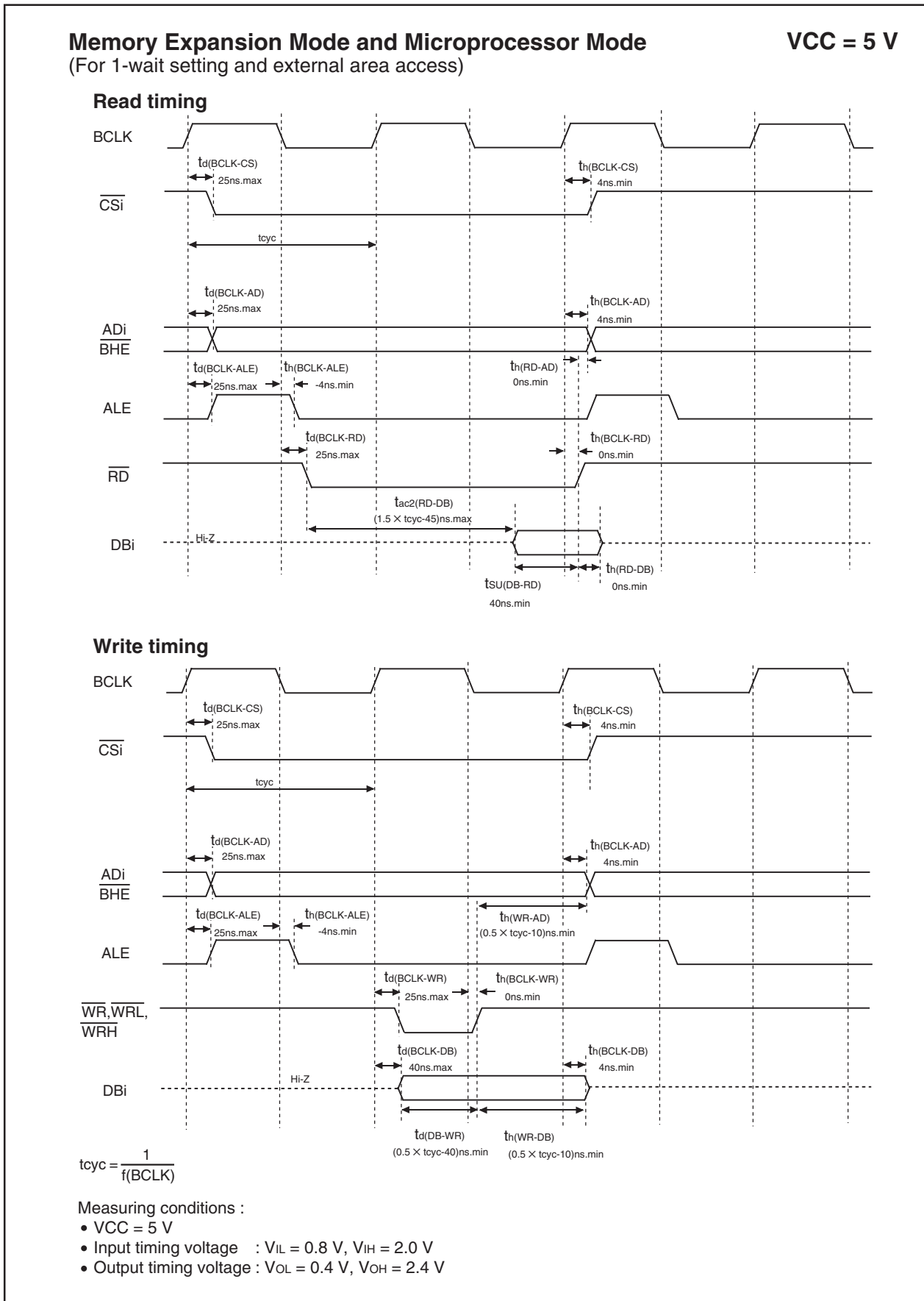


Figure 22.7 Timing Diagram (4)

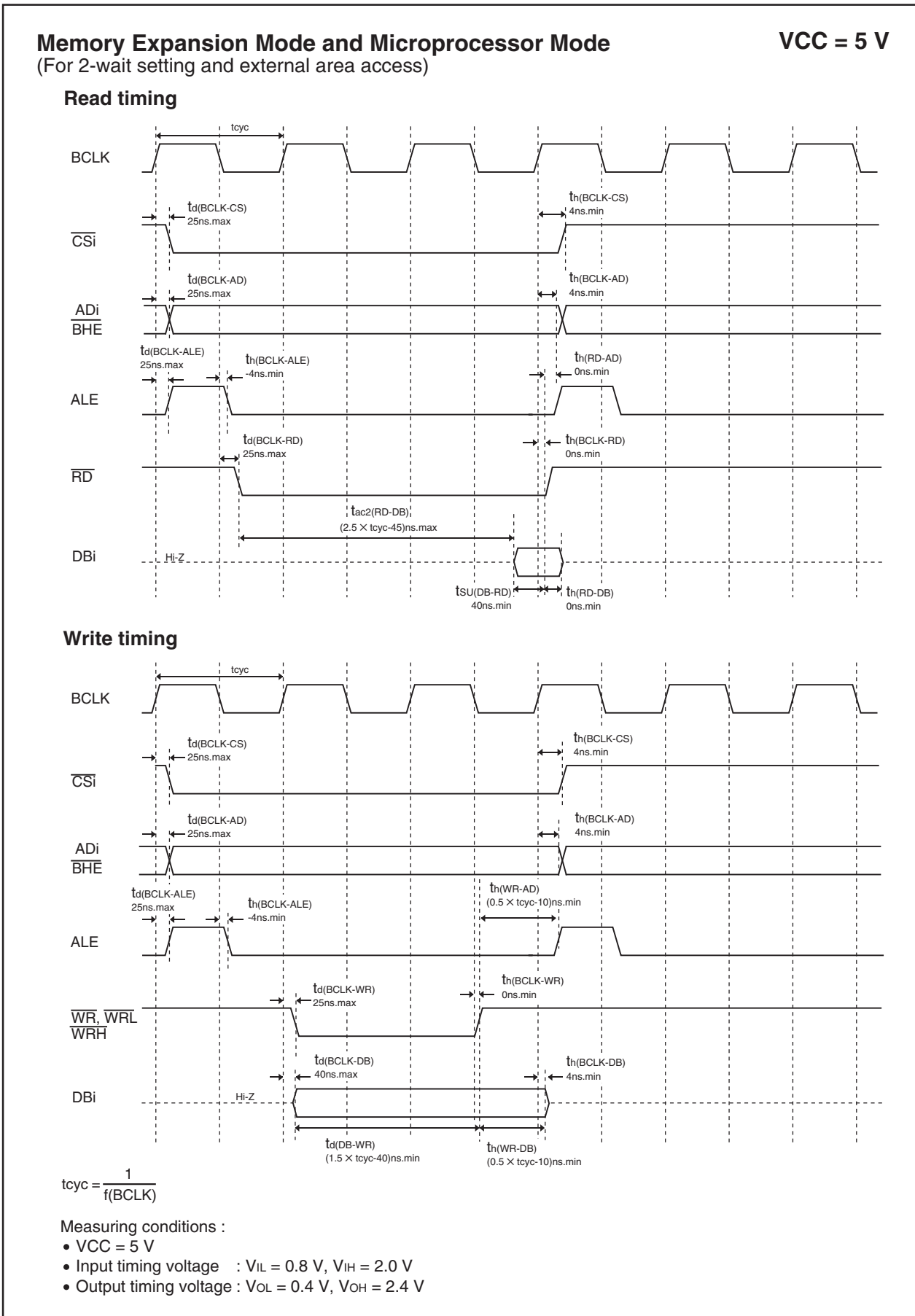


Figure 22.8 Timing Diagram (5)

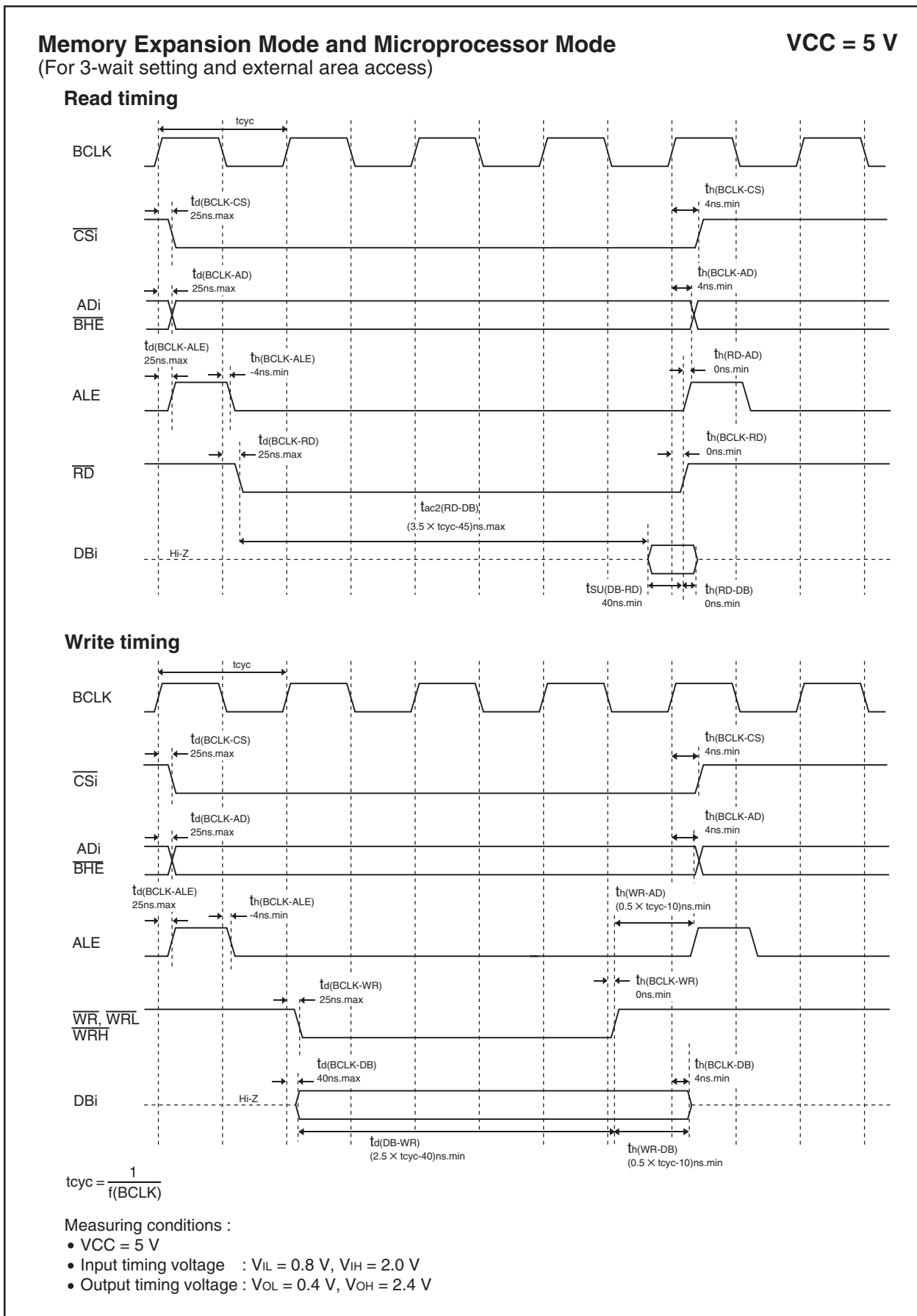


Figure 22.9 Timing Diagram (6)

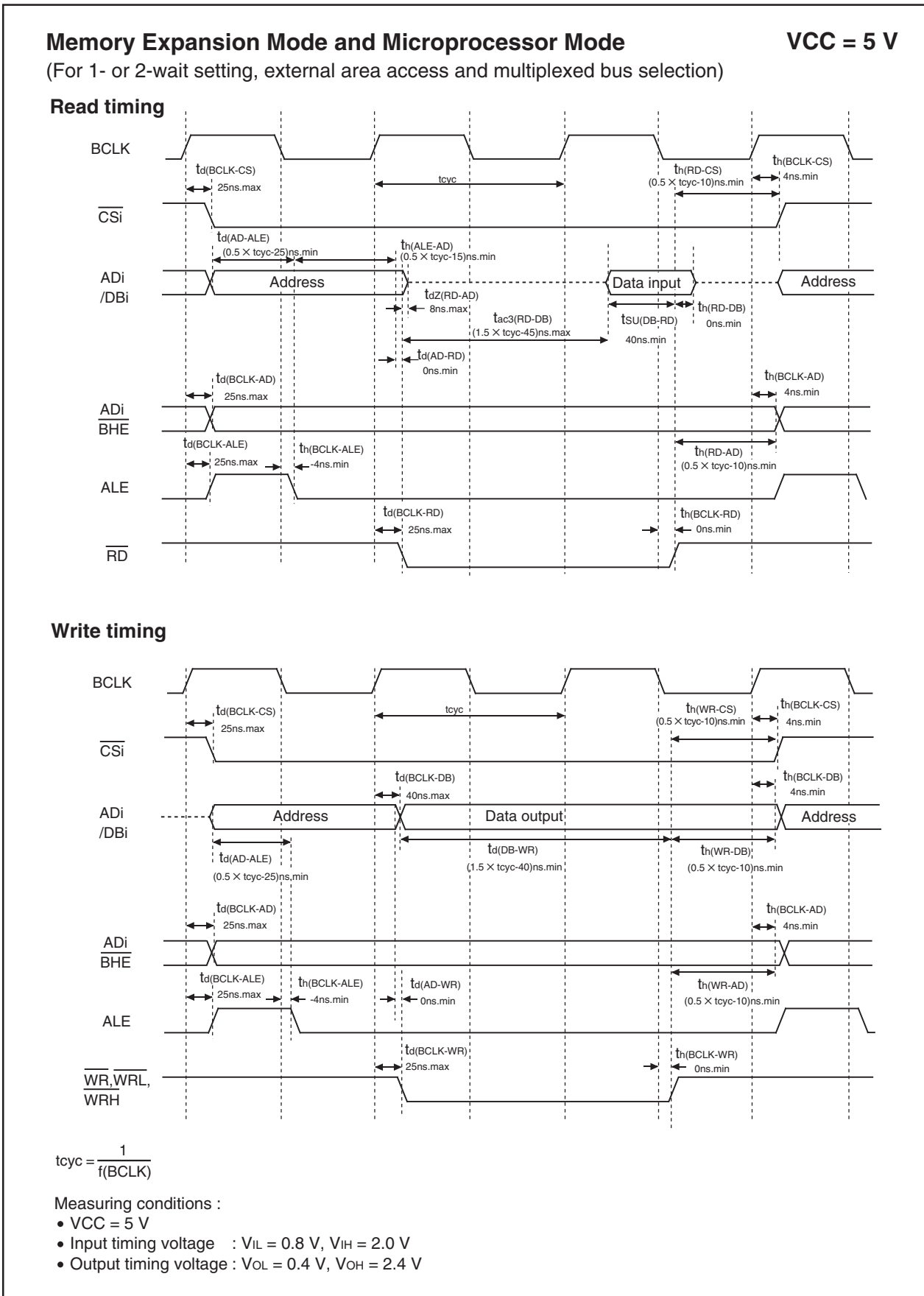


Figure 22.10 Timing Diagram (7)

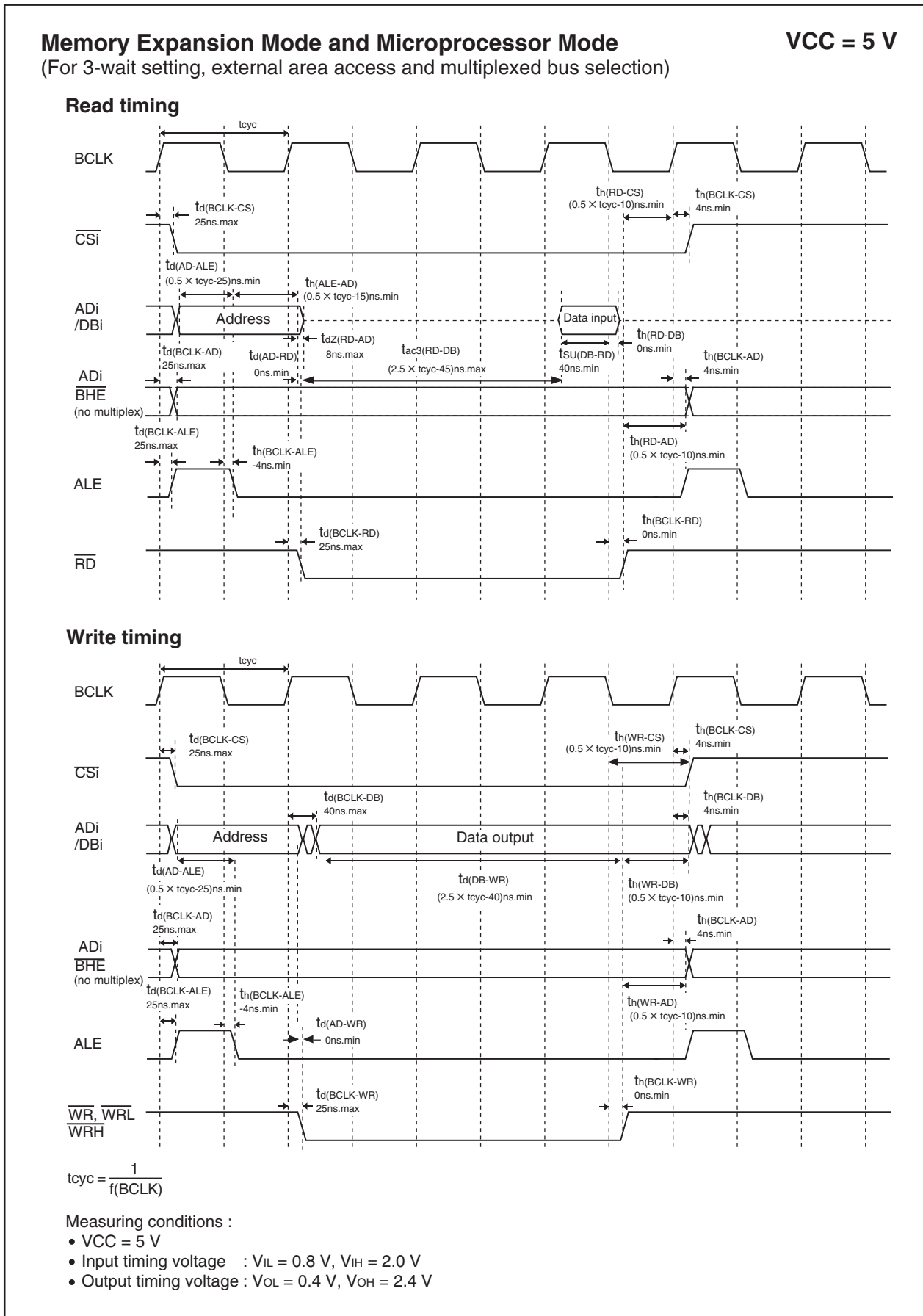


Figure 22.11 Timing Diagram (8)

22.2 Electrical Characteristics (Normal-ver.)

Table 22.26 Absolute Maximum Ratings

Symbol	Parameter		Condition	Rated Value	Unit
V _{CC}	Supply voltage (VCC1 = VCC2)		VCC = AVCC	-0.3 to 6.5	V
AV _{CC}	Analog supply voltage		VCC = AVCC	-0.3 to 6.5	V
V _i	Input voltage	RESET, CNVSS, BYTE, P0_0 to P0_7, P1_0 to P1_7, P2_0 to P2_7, P3_0 to P3_7, P4_0 to P4_7, P5_0 to P5_7, P6_0 to P6_7, P7_0, P7_2 to P7_7, P8_0 to P8_7, P9_0, P9_2 to P9_7, P10_0 to P10_7, VREF, XIN		-0.3 to VCC+0.3	V
		P7_1, P9_1		-0.3 to 6.5	V
V _o	Output voltage	P0_0 to P0_7, P1_0 to P1_7, P2_0 to P2_7, P3_0 to P3_7, P4_0 to P4_7, P5_0 to P5_7, P6_0 to P6_7, P7_0, P7_2 to P7_7, P8_0 to P8_4, P8_6, P8_7, P9_0, P9_2 to P9_7, P10_0 to P10_7, XOUT		-0.3 to VCC+0.3	V
		P7_1, P9_1		-0.3 to 6.5	V
P _d	Power dissipation		T _{opr} = 25°C	700	mW
T _{opr}	Operating ambient temperature	During MCU operation		-40 to 85	°C
		During flash memory program and erase operation		0 to 60	
T _{stg}	Storage temperature			-65 to 150	°C

Table 22.27 Recommended Operating Conditions (1) ⁽¹⁾

Symbol	Parameter		Standard			Unit
			Min.	Typ.	Max.	
V _{CC}	Supply voltage (V _{CC1} = V _{CC2})		3.0	5.0	5.5	V
AV _{CC}	Analog supply voltage			V _{CC}		V
V _{SS}	Supply voltage			0		V
AV _{SS}	Analog supply voltage			0		V
V _{IH}	HIGH input voltage	P3_1 to P3_7, P4_0 to P4_7, P5_0 to P5_7, P6_0 to P6_7, P7_0, P7_2 to P7_7, P8_0 to P8_7, P9_0, P9_2 to P9_7, P10_0 to P10_7, XIN, RESET, CNVSS, BYTE	0.8 V _{CC}		V _{CC}	V
		P7_1, P9_1	0.8 V _{CC}		6.5	V
		P0_0 to P0_7, P1_0 to P1_7, P2_0 to P2_7, P3_0 (During single-chip mode)	0.8 V _{CC}		V _{CC}	V
		P0_0 to P0_7, P1_0 to P1_7, P2_0 to P2_7, P3_0 (Data input during memory expansion and microprocessor modes)	0.5 V _{CC}		V _{CC}	V
V _{IL}	LOW input voltage	P3_1 to P3_7, P4_0 to P4_7, P5_0 to P5_7, P6_0 to P6_7, P7_0 to P7_7, P8_0 to P8_7, P9_0 to P9_7, P10_0 to P10_7, XIN, RESET, CNVSS, BYTE	0		0.2 V _{CC}	V
		P0_0 to P0_7, P1_0 to P1_7, P2_0 to P2_7, P3_0 (During single-chip mode)	0		0.2 V _{CC}	V
		P0_0 to P0_7, P1_0 to P1_7, P2_0 to P2_7, P3_0 (Data input during memory expansion and microprocessor modes)	0		0.16 V _{CC}	V
I _{OH(peak)}	HIGH peak output current	P0_0 to P0_7, P1_0 to P1_7, P2_0 to P2_7, P3_0 to P3_7, P4_0 to P4_7, P5_0 to P5_7, P6_0 to P6_7, P7_0, P7_2 to P7_7, P8_0 to P8_4, P8_6, P8_7, P9_0, P9_2 to P9_7, P10_0 to P10_7			-10.0	mA
I _{OH(avg)}	HIGH average output current	P0_0 to P0_7, P1_0 to P1_7, P2_0 to P2_7, P3_0 to P3_7, P4_0 to P4_7, P5_0 to P5_7, P6_0 to P6_7, P7_0, P7_2 to P7_7, P8_0 to P8_4, P8_6, P8_7, P9_0, P9_2 to P9_7, P10_0 to P10_7			-5.0	mA
I _{OL(peak)}	LOW peak output current	P0_0 to P0_7, P1_0 to P1_7, P2_0 to P2_7, P3_0 to P3_7, P4_0 to P4_7, P5_0 to P5_7, P6_0 to P6_7, P7_0 to P7_7, P8_0 to P8_4, P8_6, P8_7, P9_0 to P9_7, P10_0 to P10_7			10.0	mA
I _{OL(avg)}	LOW average output current	P0_0 to P0_7, P1_0 to P1_7, P2_0 to P2_7, P3_0 to P3_7, P4_0 to P4_7, P5_0 to P5_7, P6_0 to P6_7, P7_0 to P7_7, P8_0 to P8_4, P8_6, P8_7, P9_0 to P9_7, P10_0 to P10_7			5.0	mA

NOTES:

1. Referenced to V_{CC} = 3.0 to 5.5 V at T_{opr} = -40 to 85°C unless otherwise specified.
2. Average output current values during 100 ms period.
3. The total I_{OL(peak)} for ports P0, P1, P2, P8_6, P8_7, P9, and P10 must be 80 mA max.
The total I_{OL(peak)} for ports P3, P4, P5, P6, P7, and P8_0 to P8_4 must be 80 mA max.
The total I_{OH(peak)} for ports P0, P1, and P2 must be -40 mA max.
The total I_{OH(peak)} for ports P3, P4, and P5 must be -40 mA max.
The total I_{OH(peak)} for ports P6, P7, and P8_0 to P8_4 must be -40 mA max.
The total I_{OH(peak)} for ports P8_6, P8_7, P9, and P10 must be -40 mA max.

Table 22.28 Recommended Operating Conditions (2) ⁽¹⁾

Symbol	Parameter				Standard			Unit
					Min.	Typ.	Max.	
f(XIN)	Main clock input oscillation frequency ^{(2) (3) (4)}	No wait	Mask ROM version Flash memory version	VCC = 3.0 to 5.5 V	0		16	MHz
f(XCIN)	Sub clock oscillation frequency					32.768	50	kHz
f(Ring)	On-chip oscillation frequency					1		MHz
f(PLL)	PLL clock oscillation frequency				16		24	MHz
f(BCLK)	CPU operation clock			VCC = 3.0 to 5.5 V	0		24	MHz
t _{su(PLL)}	PLL frequency synthesizer stabilization wait time						20	ms
f _(ripple)	Power supply ripple allowable frequency (VCC)						10	kHz
V _{P-P(ripple)}	Power supply ripple allowable amplitude voltage			VCC = 5 V			0.5	V
				VCC = 3.3 V			0.3	
V _{CC(ΔV/ΔT)}	Power supply ripple rising/falling gradient			VCC = 5 V			0.3	V/ms
				VCC = 3.3 V			0.3	

NOTES:

1. Referenced to VCC = 3.0 to 5.5 V at Topr = -40 to 85°C unless otherwise specified.
2. Relationship between main clock oscillation frequency and supply voltage is shown right.
3. Execute program/erase of flash memory by VCC = 3.3 ± 0.3 V or VCC = 5.0 ± 0.5 V.
4. When using over 16 MHz, use PLL clock. PLL clock oscillation frequency which can be used is 16 MHz, 20 MHz or 24 MHz.

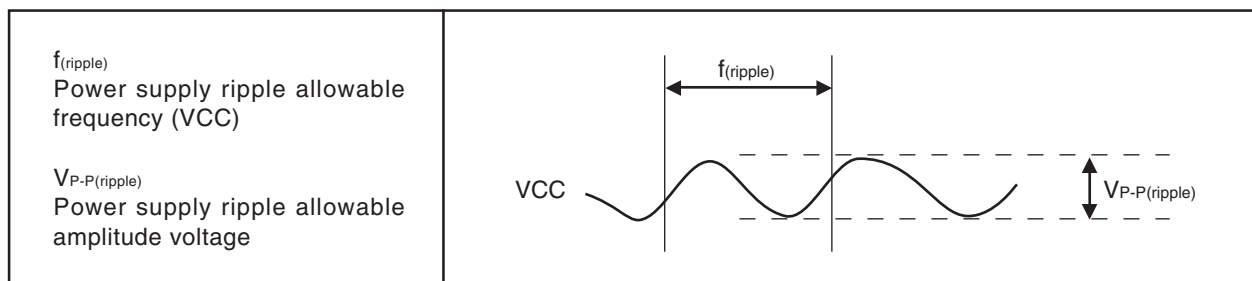
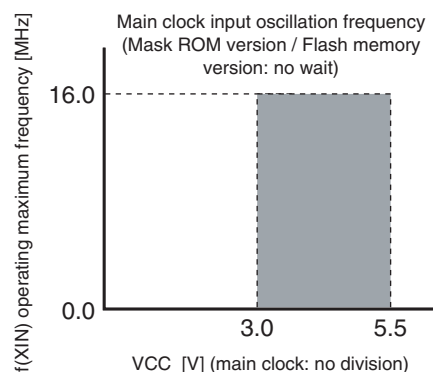


Figure 22.12 Voltage Fluctuation Timing

Table 22.29 A/D Conversion Characteristics ⁽¹⁾

Symbol	Parameter		Measuring Condition		Standard			Unit
					Min.	Typ.	Max.	
–	Resolution		VREF = VCC				10	Bit
INL	Integral nonlinearity error	10 bits	VREF = VCC = 5 V	ANEX0, ANEX1 input, AN0 to AN7 input, AN0_0 to AN0_7 input, AN2_0 to AN2_7 input			±3	LSB
				External operation amp connection mode			±7	LSB
		8 bits	VREF = VCC = 3.3 V	ANEX0, ANEX1 input, AN0 to AN7 input, AN0_0 to AN0_7 input, AN2_0 to AN2_7 input			±5	LSB
				External operation amp connection mode			±7	LSB
–	Absolute accuracy	10 bits	VREF = VCC = 5 V	ANEX0, ANEX1 input, AN0 to AN7 input, AN0_0 to AN0_7 input, AN2_0 to AN2_7 input			±3	LSB
External operation amp connection mode						±7	LSB	
8 bits		VREF = VCC = 3.3 V	ANEX0, ANEX1 input, AN0 to AN7 input, AN0_0 to AN0_7 input, AN2_0 to AN2_7 input			±5	LSB	
			External operation amp connection mode			±7	LSB	
–			VREF = AVCC = VCC = 5.0 V, 3.3 V				±2	LSB
DNL	Differential nonlinearity error						±1	LSB
–	Offset error						±3	LSB
–	Gain error						±3	LSB
R _{LADDER}	Resistor ladder		VREF = VCC		10		40	kΩ
t _{CONV}	10-bit conversion time, sample & hold available		VREF = VCC = 5 V, φAD = 10 MHz		3.3			μs
	8-bit conversion time, sample & hold available		VREF = VCC = 5 V, φAD = 10 MHz		2.8			μs
t _{SAMP}	Sampling time				0.3			μs
V _{REF}	Reference voltage				2.0		V _{CC}	V
V _{IA}	Analog input voltage				0		V _{REF}	V

NOTES:

1. Referenced to VCC = AVCC = VREF = 3.3 to 5.5 V, VSS = AVSS = 0 V, –40 to 85°C unless otherwise specified.
2. φAD frequency must be 10 MHz or less.
3. When sample & hold is disabled, φAD frequency must be 250 kHz or more in addition to a limit of NOTE 2.
When sample & hold is enabled, φAD frequency must be 1 MHz or more in addition to a limit of NOTE 2.

Table 22.30 D/A conversion Characteristics ⁽¹⁾

Symbol	Parameter	Measuring Condition	Standard			Unit
			Min.	Typ.	Max.	
–	Resolution				8	Bits
–	Absolute accuracy				1.0	%
t _{su}	Setup time				3	μs
R _o	Output resistance		4	10	20	kΩ
I _{VREF}	Reference power supply input current	(NOTE 2)			1.5	mA

NOTES:

1. Referenced to VCC = AVCC = VREF = 3.3 to 5.5 V, VSS = AVSS = 0 V, –40 to 85°C unless otherwise specified.
2. This applies when using one D/A converter, with the DAi register (i = 0, 1) for the unused D/A converter set to 00h.
The resistor ladder of the A/D converter is not included. Also, the current I_{VREF} always flows even though VREF may have been set to be unconnected by the ADCON1 register.

Table 22.31 Power Supply Circuit Timing Characteristics

Symbol	Parameter	Measuring Condition	Standard			Unit
			Min.	Typ.	Max.	
$t_{d(P-R)}$	Time for internal power supply stabilization during powering-on	VCC = 3.0 to 5.5 V			2	ms
$t_{d(R-S)}$	STOP release time				150	μ s
$t_{d(W-S)}$	Low power dissipation mode wait mode release time				150	μ s

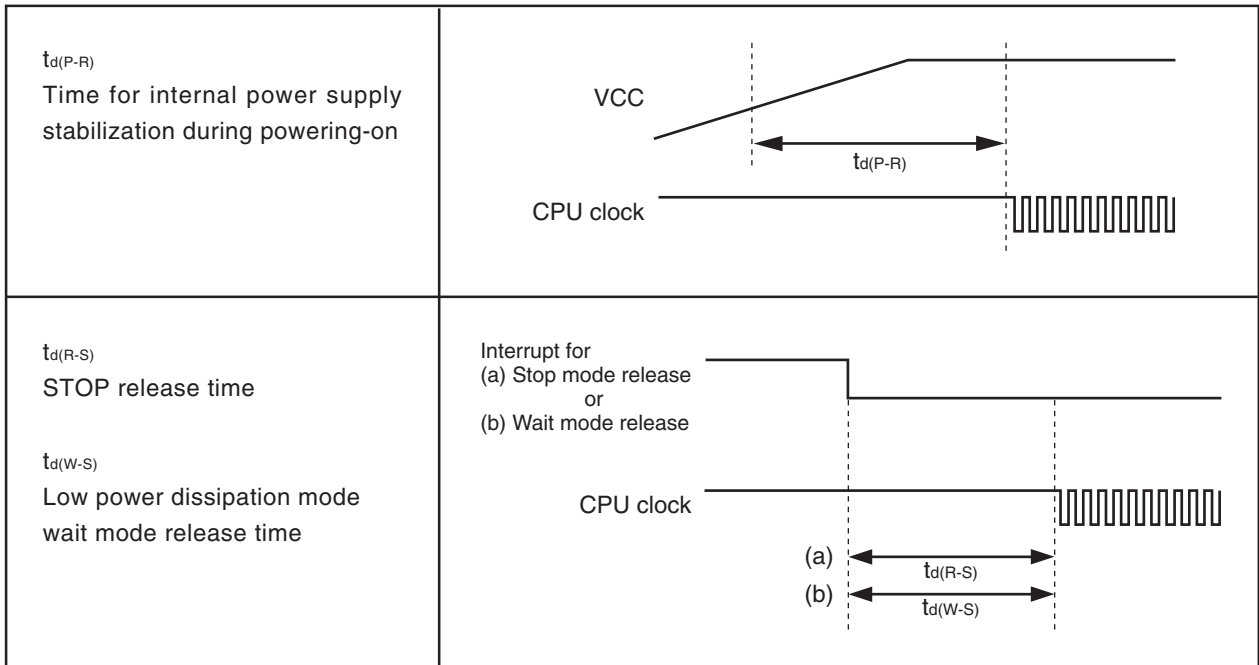


Figure 22.13 Power Supply Circuit Timing Diagram

Table 22.32 Electrical Characteristics (1) ⁽¹⁾

VCC = 5V

Symbol	Parameter		Measuring Condition	Standard			Unit	
				Min.	Typ.	Max.		
V _{OH}	HIGH output voltage	P0_0 to P0_7, P1_0 to P1_7, P2_0 to P2_7, P3_0 to P3_7, P4_0 to P4_7, P5_0 to P5_7, P6_0 to P6_7, P7_0, P7_2 to P7_7, P8_0 to P8_4, P8_6, P8_7, P9_0, P9_2 to P9_7, P10_0 to P10_7	I _{OH} = -5 mA	V _{CC} -2.0		V _{CC}	V	
V _{OH}	HIGH output voltage	P0_0 to P0_7, P1_0 to P1_7, P2_0 to P2_7, P3_0 to P3_7, P4_0 to P4_7, P5_0 to P5_7, P6_0 to P6_7, P7_0, P7_2 to P7_7, P8_0 to P8_4, P8_6, P8_7, P9_0, P9_2 to P9_7, P10_0 to P10_7	I _{OH} = -200 μA	V _{CC} -0.3		V _{CC}	V	
V _{OH}	HIGH output voltage	XOUT	HIGHPOWER	I _{OH} = -1 mA	3.0	V _{CC}	V	
			LOWPOWER	I _{OH} = -0.5 mA	3.0	V _{CC}		
	HIGH output voltage	XCOUT	HIGHPOWER	With no load applied		2.5		V
			LOWPOWER	With no load applied		1.6		
V _{OL}	LOW output voltage	P0_0 to P0_7, P1_0 to P1_7, P2_0 to P2_7, P3_0 to P3_7, P4_0 to P4_7, P5_0 to P5_7, P6_0 to P6_7, P7_0 to P7_7, P8_0 to P8_4, P8_6, P8_7, P9_0 to P9_7, P10_0 to P10_7	I _{OL} = 5 mA			2.0	V	
V _{OL}	LOW output voltage	P0_0 to P0_7, P1_0 to P1_7, P2_0 to P2_7, P3_0 to P3_7, P4_0 to P4_7, P5_0 to P5_7, P6_0 to P6_7, P7_0 to P7_7, P8_0 to P8_4, P8_6, P8_7, P9_0 to P9_7, P10_0 to P10_7	I _{OL} = 200 μA			0.45	V	
V _{OL}	LOW output voltage	XOUT	HIGHPOWER	I _{OL} = 1 mA		2.0	V	
			LOWPOWER	I _{OL} = 0.5 mA		2.0		
	LOW output voltage	XCOUT	HIGHPOWER	With no load applied		0		V
			LOWPOWER	With no load applied		0		
V _{T+} -V _{T-}	Hysteresis	HOLD, RDY, TA0IN to TA4IN, TB0IN to TB5IN, INT0 to INT5, NMI, ADTRG, CTS0 to CTS2, SCL0 to SCL2, SDA0 to SDA2, CLK0 to CLK3, TA0OUT to TA4OUT, $\overline{KI}0$ to $\overline{KI}3$, RXD0 to RXD2, SIN3		0.2		1.0	V	
V _{T+} -V _{T-}	Hysteresis	RESET		0.2		2.5	V	
I _{IH}	HIGH input current	P0_0 to P0_7, P1_0 to P1_7, P2_0 to P2_7, P3_0 to P3_7, P4_0 to P4_7, P5_0 to P5_7, P6_0 to P6_7, P7_0 to P7_7, P8_0 to P8_7, P9_0 to P9_7, P10_0 to P10_7, XIN, RESET, CNVSS, BYTE	V _I = 5 V			5.0	μA	
I _{IL}	LOW input current	P0_0 to P0_7, P1_0 to P1_7, P2_0 to P2_7, P3_0 to P3_7, P4_0 to P4_7, P5_0 to P5_7, P6_0 to P6_7, P7_0 to P7_7, P8_0 to P8_7, P9_0 to P9_7, P10_0 to P10_7, XIN, \overline{RESET} , CNVSS, BYTE	V _I = 0 V			-5.0	μA	
R _{PULLUP}	Pull-up resistance	P0_0 to P0_7, P1_0 to P1_7, P2_0 to P2_7, P3_0 to P3_7, P4_0 to P4_7, P5_0 to P5_7, P6_0 to P6_7, P7_0, P7_2 to P7_7, P8_0 to P8_4, P8_6, P8_7, P9_0, P9_2 to P9_7, P10_0 to P10_7	V _I = 0 V	30	50	170	kΩ	
R _{FXIN}	Feedback resistance	XIN			1.5		MΩ	
R _{FXCIN}	Feedback resistance	XCIN			15		MΩ	
V _{RAM}	RAM retention voltage		At stop mode	2.0			V	

NOTES:

1. Referenced to VCC = 4.2 to 5.5 V, VSS = 0 V at T_{opr} = -40 to 85°C, f(BCLK) = 24 MHz unless otherwise specified.

Table 22.33 Electrical Characteristics (2) ⁽¹⁾

Symbol	Parameter		Measuring Condition		Standard			Unit
					Min.	Typ.	Max.	
I _{cc}	Power supply current (VCC = 3.0 to 5.5 V)	In single-chip mode, the output pins are open and other pins are VSS.	Mask ROM	f(BCLK) = 24 MHz, PLL operation, No division		16	32	mA
				On-chip oscillation, No division		1		mA
			Flash memory	f(BCLK) = 24 MHz, PLL operation, No division		20	34	mA
				On-chip oscillation, No division		1.8		mA
			Flash memory program	f(BCLK) = 10 MHz, VCC = 5 V		15		mA
			Flash memory erase	f(BCLK) = 10 MHz, VCC = 5 V		25		mA
			Mask ROM	f(BCLK) = 32 kHz, Low power dissipation mode, ROM ⁽²⁾		25		μA
			Flash memory	f(BCLK) = 32 kHz, Low power dissipation mode, RAM ⁽²⁾		25		μA
				f(BCLK) = 32 kHz, Low power dissipation mode, Flash memory ⁽²⁾		420		μA
				Mask ROM Flash memory	On-chip oscillation, Wait mode		50	
			Flash memory	f(BCLK) = 32 kHz, Wait mode ⁽³⁾ , Oscillation capacity High		8.5		μA
				f(BCLK) = 32 kHz, Wait mode ⁽³⁾ , Oscillation capacity Low		3.0		μA
				Stop mode, Topr = 25°C		0.8	3.0	μA

NOTES:

1. Referenced to VCC = 3.0 to 5.5 V, VSS = 0 V at Topr = -40 to 85°C, f(BCLK) = 24 MHz unless otherwise specified.
2. This indicates the memory in which the program to be executed exists.
3. With one timer operated using fC32.

Timing Requirements**VCC = 5 V****(Referenced to VCC = 5 V, VSS = 0 V, at Topr = –40 to 85°C unless otherwise specified)****Table 22.34 External Clock Input (XIN Input)**

Symbol	Parameter	Standard		Unit
		Min.	Max.	
t _c	External clock input cycle time	62.5		ns
t _{w(H)}	External clock input HIGH pulse width	25		ns
t _{w(L)}	External clock input LOW pulse width	25		ns
t _r	External clock rise time		15	ns
t _f	External clock fall time		15	ns

Table 22.35 Memory Expansion Mode and Microprocessor Mode

Symbol	Parameter	Standard		Unit
		Min.	Max.	
t _{ac1(RD-DB)}	Data input access time (for setting with no wait)		(NOTE 1)	ns
t _{ac2(RD-DB)}	Data input access time (for setting with wait)		(NOTE 2)	ns
t _{ac3(RD-DB)}	Data input access time (when accessing multiplexed bus area)		(NOTE 3)	ns
t _{su(DB-RD)}	Data input setup time	40		ns
t _{su(RDY-BCLK)}	RDY input setup time	30		ns
t _{su(HOLD-BCLK)}	HOLD input setup time	40		ns
t _{h(RD-DB)}	Data input hold time	0		ns
t _{h(BCLK-RDY)}	RDY input hold time	0		ns
t _{h(BCLK-HOLD)}	HOLD input hold time	0		ns

NOTES:

1. Calculated according to the BCLK frequency as follows:

$$\frac{0.5 \times 10^9}{f(\text{BCLK})} - 45 \text{ [ns]}$$

2. Calculated according to the BCLK frequency as follows:

$$\frac{(n-0.5) \times 10^9}{f(\text{BCLK})} - 45 \text{ [ns]} \quad n \text{ is "2" for 1-wait setting, "3" for 2-wait setting and "4" for 3-wait setting.}$$

3. Calculated according to the BCLK frequency as follows:

$$\frac{(n-0.5) \times 10^9}{f(\text{BCLK})} - 45 \text{ [ns]} \quad n \text{ is "2" for 2-wait setting, "3" for 3-wait setting.}$$

Timing Requirements**VCC = 5 V****(Referenced to VCC = 5 V, VSS = 0 V, at Topr = -40 to 85°C unless otherwise specified)****Table 22.36 Timer A Input (Counter Input in Event Counter Mode)**

Symbol	Parameter	Standard		Unit
		Min.	Max.	
$t_{c(TA)}$	TAiIN input cycle time	100		ns
$t_{w(TAH)}$	TAiIN input HIGH pulse width	40		ns
$t_{w(TAL)}$	TAiIN input LOW pulse width	40		ns

Table 22.37 Timer A Input (Gating Input in Timer Mode)

Symbol	Parameter	Standard		Unit
		Min.	Max.	
$t_{c(TA)}$	TAiIN input cycle time	400		ns
$t_{w(TAH)}$	TAiIN input HIGH pulse width	200		ns
$t_{w(TAL)}$	TAiIN input LOW pulse width	200		ns

Table 22.38 Timer A Input (External Trigger Input in One-shot Timer Mode)

Symbol	Parameter	Standard		Unit
		Min.	Max.	
$t_{c(TA)}$	TAiIN input cycle time	200		ns
$t_{w(TAH)}$	TAiIN input HIGH pulse width	100		ns
$t_{w(TAL)}$	TAiIN input LOW pulse width	100		ns

Table 22.39 Timer A Input (External Trigger Input in Pulse Width Modulation Mode)

Symbol	Parameter	Standard		Unit
		Min.	Max.	
$t_{w(TAH)}$	TAiIN input HIGH pulse width	100		ns
$t_{w(TAL)}$	TAiIN input LOW pulse width	100		ns

Table 22.40 Timer A Input (Counter Increment/decrement Input in Event Counter Mode)

Symbol	Parameter	Standard		Unit
		Min.	Max.	
$t_{c(UP)}$	TAiOUT input cycle time	2000		ns
$t_{w(UPH)}$	TAiOUT input HIGH pulse width	1000		ns
$t_{w(UPL)}$	TAiOUT input LOW pulse width	1000		ns
$t_{su(UP-TIN)}$	TAiOUT input setup time	400		ns
$t_h(TIN-UP)$	TAiOUT input hold time	400		ns

Table 22.41 Timer A Input (Two-phase Pulse Input in Event Counter Mode)

Symbol	Parameter	Standard		Unit
		Min.	Max.	
$t_{c(TA)}$	TAiIN input cycle time	800		ns
$t_{su(TAIN-TAOUT)}$	TAiOUT input setup time	200		ns
$t_{su(TAOUT-TAIN)}$	TAiIN input setup time	200		ns

Timing Requirements**VCC = 5 V****(Referenced to VCC = 5 V, VSS = 0 V, at Topr = -40 to 85°C unless otherwise specified)****Table 22.42 Timer B Input (Counter Input in Event Counter Mode)**

Symbol	Parameter	Standard		Unit
		Min.	Max.	
$t_{c(TB)}$	TBiIN input cycle time (counted on one edge)	100		ns
$t_{w(TBH)}$	TBiIN input HIGH pulse width (counted on one edge)	40		ns
$t_{w(TBL)}$	TBiIN input LOW pulse width (counted on one edge)	40		ns
$t_{c(TB)}$	TBiIN input cycle time (counted on both edges)	200		ns
$t_{w(TBH)}$	TBiIN input HIGH pulse width (counted on both edges)	80		ns
$t_{w(TBL)}$	TBiIN input LOW pulse width (counted on both edges)	80		ns

Table 22.43 Timer B Input (Pulse Period Measurement Mode)

Symbol	Parameter	Standard		Unit
		Min.	Max.	
$t_{c(TB)}$	TBiIN input cycle time	400		ns
$t_{w(TBH)}$	TBiIN input HIGH pulse width	200		ns
$t_{w(TBL)}$	TBiIN input LOW pulse width	200		ns

Table 22.44 Timer B Input (Pulse Width Measurement Mode)

Symbol	Parameter	Standard		Unit
		Min.	Max.	
$t_{c(TB)}$	TBiIN input cycle time	400		ns
$t_{w(TBH)}$	TBiIN input HIGH pulse width	200		ns
$t_{w(TBL)}$	TBiIN input LOW pulse width	200		ns

Table 22.45 A/D Trigger Input

Symbol	Parameter	Standard		Unit
		Min.	Max.	
$t_{c(AD)}$	ADTRG $\bar{}$ input cycle time (trigger able minimum)	1000		ns
$t_{w(ADL)}$	ADTRG $\bar{}$ input LOW pulse width	125		ns

Table 22.46 Serial Interface

Symbol	Parameter	Standard		Unit
		Min.	Max.	
$t_{c(CK)}$	CLKi input cycle time	200		ns
$t_{w(CKH)}$	CLKi input HIGH pulse width	100		ns
$t_{w(CKL)}$	CLKi input LOW pulse width	100		ns
$t_{d(C-Q)}$	TXDi output delay time		80	ns
$t_{h(C-Q)}$	TXDi hold time	0		ns
$t_{su(D-C)}$	RXDi input setup time	70		ns
$t_{h(C-D)}$	RXDi input hold time	90		ns

Table 22.47 External Interrupt INTi Input

Symbol	Parameter	Standard		Unit
		Min.	Max.	
$t_{w(INH)}$	INTi input HIGH pulse width	250		ns
$t_{w(INL)}$	INTi input LOW pulse width	250		ns

Switching Characteristics

VCC = 5 V

(Referenced to VCC = 5 V, VSS = 0 V, at Topr = -40 to 85 °C unless otherwise specified)

Table 22.48 Memory Expansion Mode and Microprocessor Mode (for setting with no wait)

Symbol	Parameter	Measuring Condition	Standard		Unit
			Min.	Max.	
t _d (BCLK-AD)	Address output delay time	Figure 22.14		25	ns
t _h (BCLK-AD)	Address output hold time (in relation to BCLK)		4		ns
t _h (RD-AD)	Address output hold time (in relation to RD)		0		ns
t _h (WR-AD)	Address output hold time (in relation to WR)		(NOTE 1)		ns
t _d (BCLK-CS)	Chip select output delay time			25	ns
t _h (BCLK-CS)	Chip select output hold time (in relation to BCLK)		4		ns
t _d (BCLK-ALE)	ALE signal output delay time			15	ns
t _h (BCLK-ALE)	ALE signal output hold time		-4		ns
t _d (BCLK-RD)	RD signal output delay time			25	ns
t _h (BCLK-RD)	RD signal output hold time		0		ns
t _d (BCLK-WR)	WR signal output delay time			25	ns
t _h (BCLK-WR)	WR signal output hold time		0		ns
t _d (BCLK-DB)	Data output delay time (in relation to BCLK)			40	ns
t _h (BCLK-DB)	Data output hold time (in relation to BCLK) ⁽³⁾		4		ns
t _d (DB-WR)	Data output delay time (in relation to WR)		(NOTE 2)		ns
t _h (WR-DB)	Data output hold time (in relation to WR) ⁽³⁾		(NOTE 1)		ns
t _d (BCLK-HLDA)	HLDA output delay time		40	ns	

NOTES:

1. Calculated according to the BCLK frequency as follows:

$$\frac{0.5 \times 10^9}{f(\text{BCLK})} - 10 \text{ [ns]}$$

2. Calculated according to the BCLK frequency as follows:

$$\frac{0.5 \times 10^9}{f(\text{BCLK})} - 40 \text{ [ns]} \quad f(\text{BCLK}) \text{ is } 12.5 \text{ MHz or less.}$$

3. This standard value shows the timing when the output is off, and does not show hold time of data bus.

Hold time of data bus varies with capacitor volume and pull-up (pull-down) resistance value.

Hold time of data bus is expressed in

$$t = -CR \times \ln(1 - V_{OL} / V_{CC})$$

by a circuit of the right figure.

For example, when V_{OL} = 0.2 V_{CC}, C = 30 pF,

R = 1 kΩ, hold time of output "L" level is

$$t = -30 \text{ pF} \times 1 \text{ k}\Omega \times \ln(1 - 0.2 V_{CC} / V_{CC}) = 6.7 \text{ ns.}$$

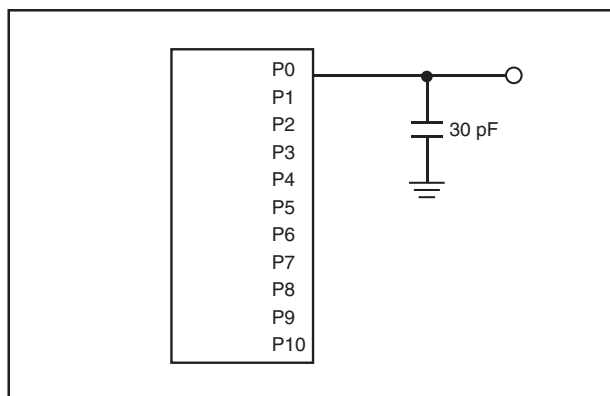
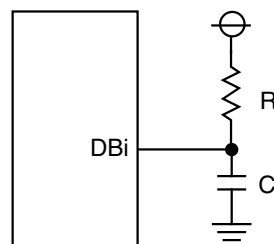


Figure 22.14 Port P0 to P10 Measurement Circuit

Switching Characteristics**VCC = 5 V****(Referenced to VCC = 5 V, VSS = 0 V, at Topr = -40 to 85 °C unless otherwise specified)****Table 22.49 Memory Expansion Mode and Microprocessor Mode (for 1- to 3-wait setting and external area access)**

Symbol	Parameter	Measuring Condition	Standard		Unit
			Min.	Max.	
t _d (BCLK-AD)	Address output delay time	Figure 22.14		25	ns
t _h (BCLK-AD)	Address output hold time (in relation to BCLK)		4		ns
t _h (RD-AD)	Address output hold time (in relation to RD)		0		ns
t _h (WR-AD)	Address output hold time (in relation to WR)		(NOTE 1)		ns
t _d (BCLK-CS)	Chip select output delay time			25	ns
t _h (BCLK-CS)	Chip select output hold time (in relation to BCLK)		4		ns
t _d (BCLK-ALE)	ALE signal output delay time			15	ns
t _h (BCLK-ALE)	ALE signal output hold time		-4		ns
t _d (BCLK-RD)	RD signal output delay time			25	ns
t _h (BCLK-RD)	RD signal output hold time		0		ns
t _d (BCLK-WR)	WR signal output delay time			25	ns
t _h (BCLK-WR)	WR signal output hold time		0		ns
t _d (BCLK-DB)	Data output delay time (in relation to BCLK)			40	ns
t _h (BCLK-DB)	Data output hold time (in relation to BCLK) ⁽³⁾		4		ns
t _d (DB-WR)	Data output delay time (in relation to WR)		(NOTE 2)		ns
t _h (WR-DB)	Data output hold time (in relation to WR) ⁽³⁾		(NOTE 1)		ns
t _d (BCLK-HLDA)	HLDA output delay time		40	ns	

NOTES:

1. Calculated according to the BCLK frequency as follows:

$$\frac{0.5 \times 10^9}{f(\text{BCLK})} - 10 \text{ [ns]}$$

2. Calculated according to the BCLK frequency as follows:

$$\frac{(n - 0.5) \times 10^9}{f(\text{BCLK})} - 40 \text{ [ns]}$$

n is "1" for 1-wait setting, "2" for 2-wait setting and "3" for 3-wait setting.
When n = 1, f(BCLK) is 12.5 MHz or less.

3. This standard value shows the timing when the output is off, and does not show hold time of data bus.

Hold time of data bus varies with capacitor volume and pull-up (pull-down) resistance value.

Hold time of data bus is expressed in

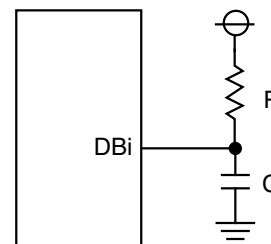
$$t = -CR \times \ln(1 - V_{OL} / V_{CC})$$

by a circuit of the right figure.

For example, when $V_{OL} = 0.2 V_{CC}$, $C = 30 \text{ pF}$,

$R = 1 \text{ k}\Omega$, hold time of output "L" level is

$$t = -30 \text{ pF} \times 1 \text{ k}\Omega \times \ln(1 - 0.2 V_{CC} / V_{CC}) = 6.7 \text{ ns.}$$



Switching Characteristics**VCC = 5 V****(Referenced to VCC = 5 V, VSS = 0 V, at Topr = -40 to 85 °C unless otherwise specified)****Table 22.50 Memory Expansion Mode and Microprocessor Mode
(for 2- to 3-wait setting, external area access and multiplexed bus selection)**

Symbol	Parameter	Measuring Condition	Standard		Unit
			Min.	Max.	
t _d (BCLK-AD)	Address output delay time	Figure 22.14		25	ns
t _h (BCLK-AD)	Address output hold time (in relation to BCLK)		4		ns
t _h (RD-AD)	Address output hold time (in relation to RD)		(NOTE 1)		ns
t _h (WR-AD)	Address output hold time (in relation to WR)		(NOTE 1)		ns
t _d (BCLK-CS)	Chip select output delay time			25	ns
t _h (BCLK-CS)	Chip select output hold time (in relation to BCLK)		4		ns
t _h (RD-CS)	Chip select output hold time (in relation to RD)		(NOTE 1)		ns
t _h (WR-CS)	Chip select output hold time (in relation to WR)		(NOTE 1)		ns
t _d (BCLK-RD)	RD signal output delay time			25	ns
t _h (BCLK-RD)	RD signal output hold time		0		ns
t _d (BCLK-WR)	WR signal output delay time			25	ns
t _h (BCLK-WR)	WR signal output hold time		0		ns
t _d (BCLK-DB)	Data output delay time (in relation to BCLK)			40	ns
t _h (BCLK-DB)	Data output hold time (in relation to BCLK)		4		ns
t _d (DB-WR)	Data output delay time (in relation to WR)		(NOTE 2)		ns
t _h (WR-DB)	Data output hold time (in relation to WR)		(NOTE 1)		ns
t _d (BCLK-HLDA)	HLDA output delay time			40	ns
t _d (BCLK-ALE)	ALE signal output delay time (in relation to BCLK)			15	ns
t _h (BCLK-ALE)	ALE signal output hold time (in relation to BCLK)		-4		ns
t _d (AD-ALE)	ALE signal output delay time (in relation to Address)		(NOTE 3)		ns
t _h (ALE-AD)	ALE signal output hold time (in relation to Address)	(NOTE 4)		ns	
t _d (AD-RD)	RD signal output delay from the end of Address	0		ns	
t _d (AD-WR)	WR signal output delay from the end of Address	0		ns	
t _{dZ} (RD-AD)	Address output floating start time		8	ns	

NOTES:

1. Calculated according to the BCLK frequency as follows:

$$\frac{0.5 \times 10^9}{f(\text{BCLK})} - 10 \text{ [ns]}$$

2. Calculated according to the BCLK frequency as follows:

$$\frac{(n - 0.5) \times 10^9}{f(\text{BCLK})} - 40 \text{ [ns]} \quad n \text{ is "2" for 2-wait setting, "3" for 3-wait setting.}$$

3. Calculated according to the BCLK frequency as follows:

$$\frac{0.5 \times 10^9}{f(\text{BCLK})} - 25 \text{ [ns]}$$

4. Calculated according to the BCLK frequency as follows:

$$\frac{0.5 \times 10^9}{f(\text{BCLK})} - 15 \text{ [ns]}$$

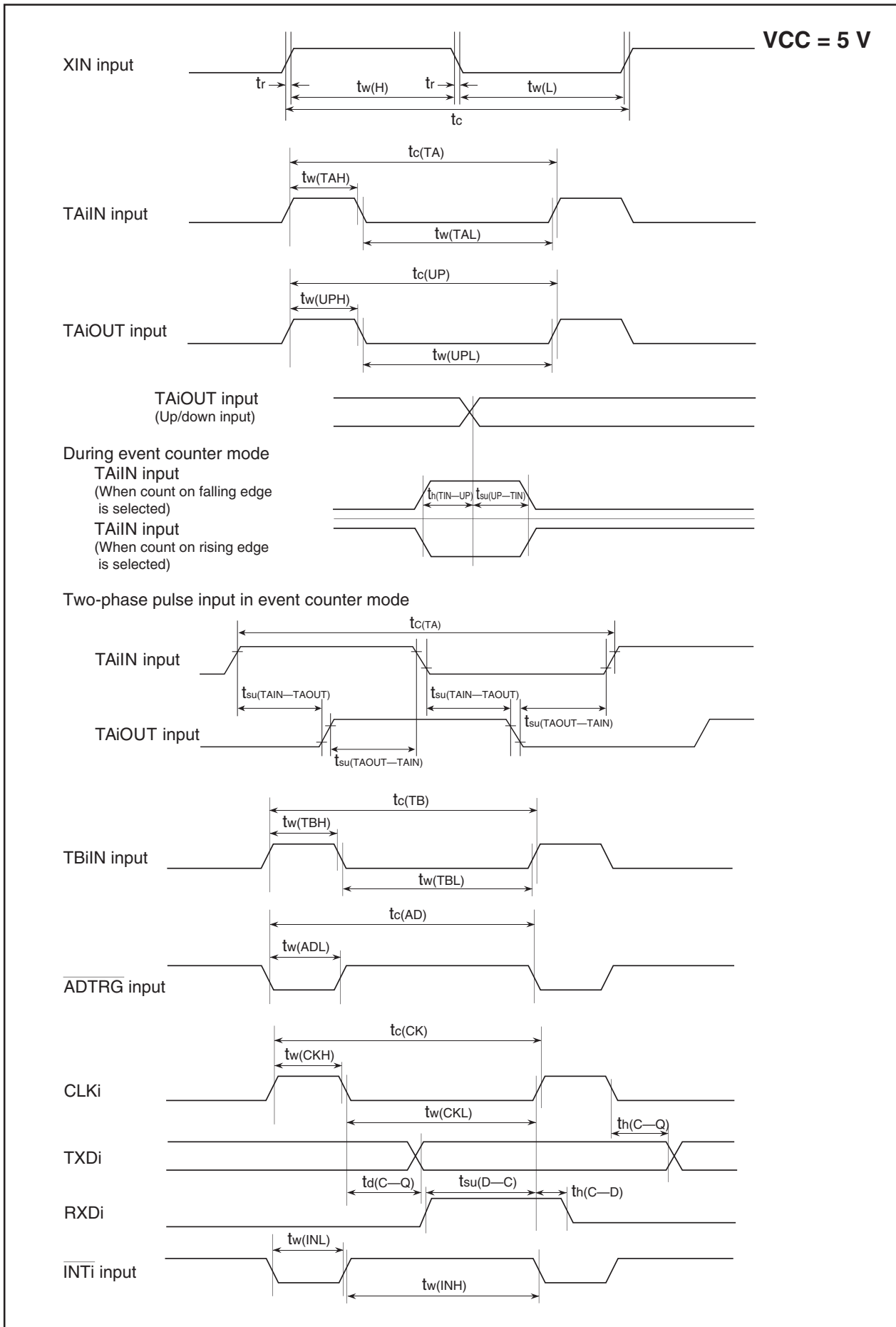


Figure 22.15 Timing Diagram (1)

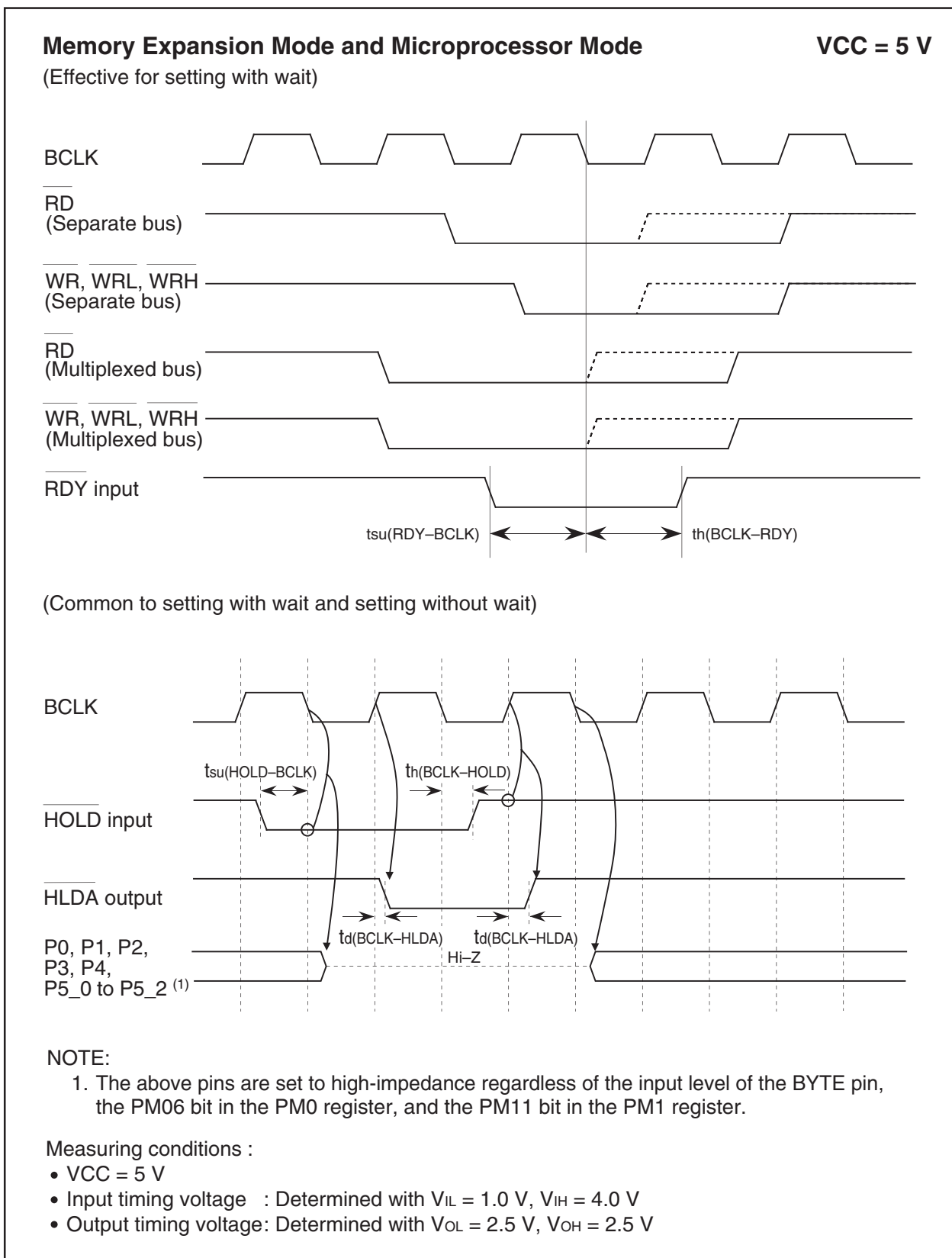


Figure 22.16 Timing Diagram (2)

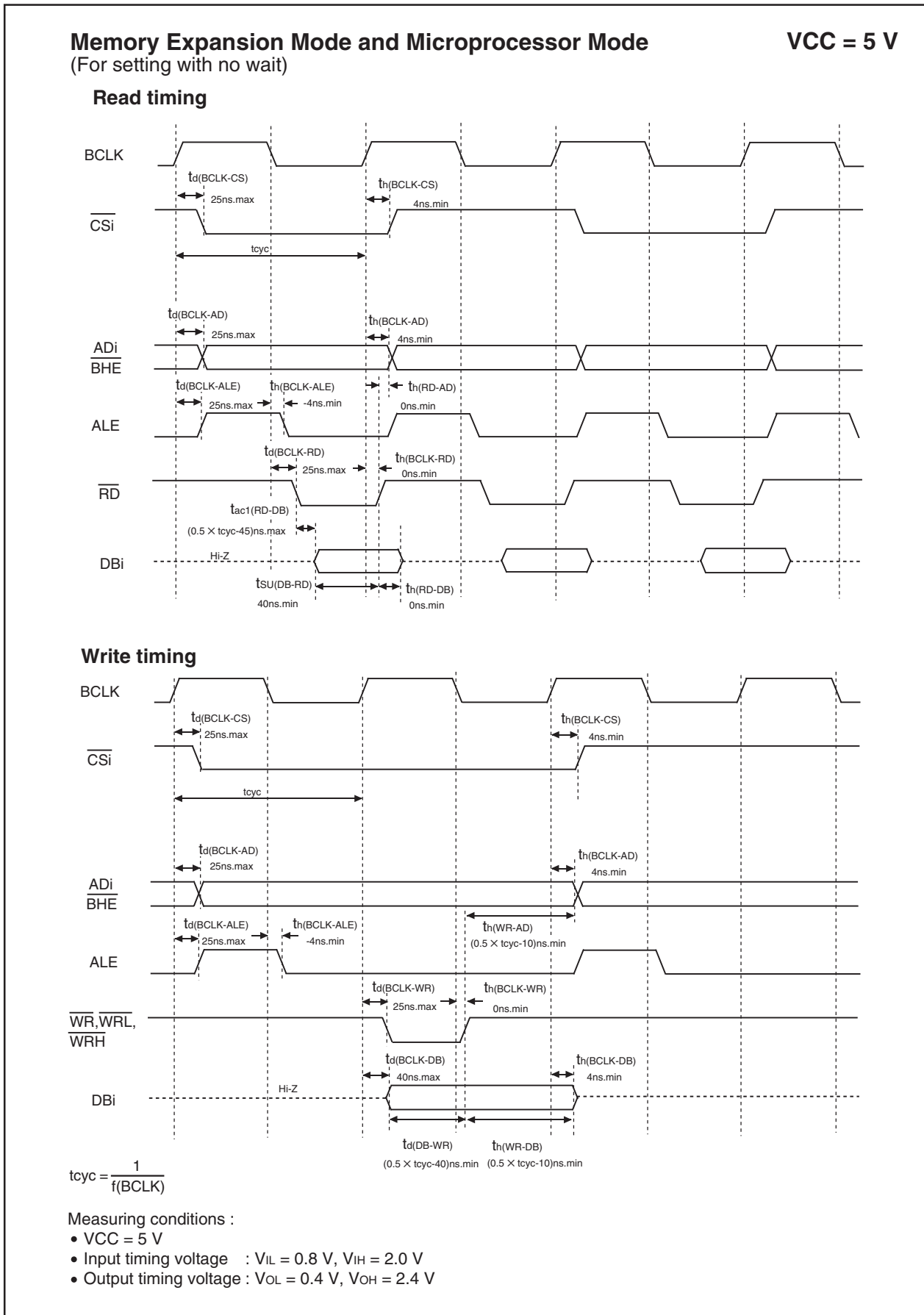


Figure 22.17 Timing Diagram (3)

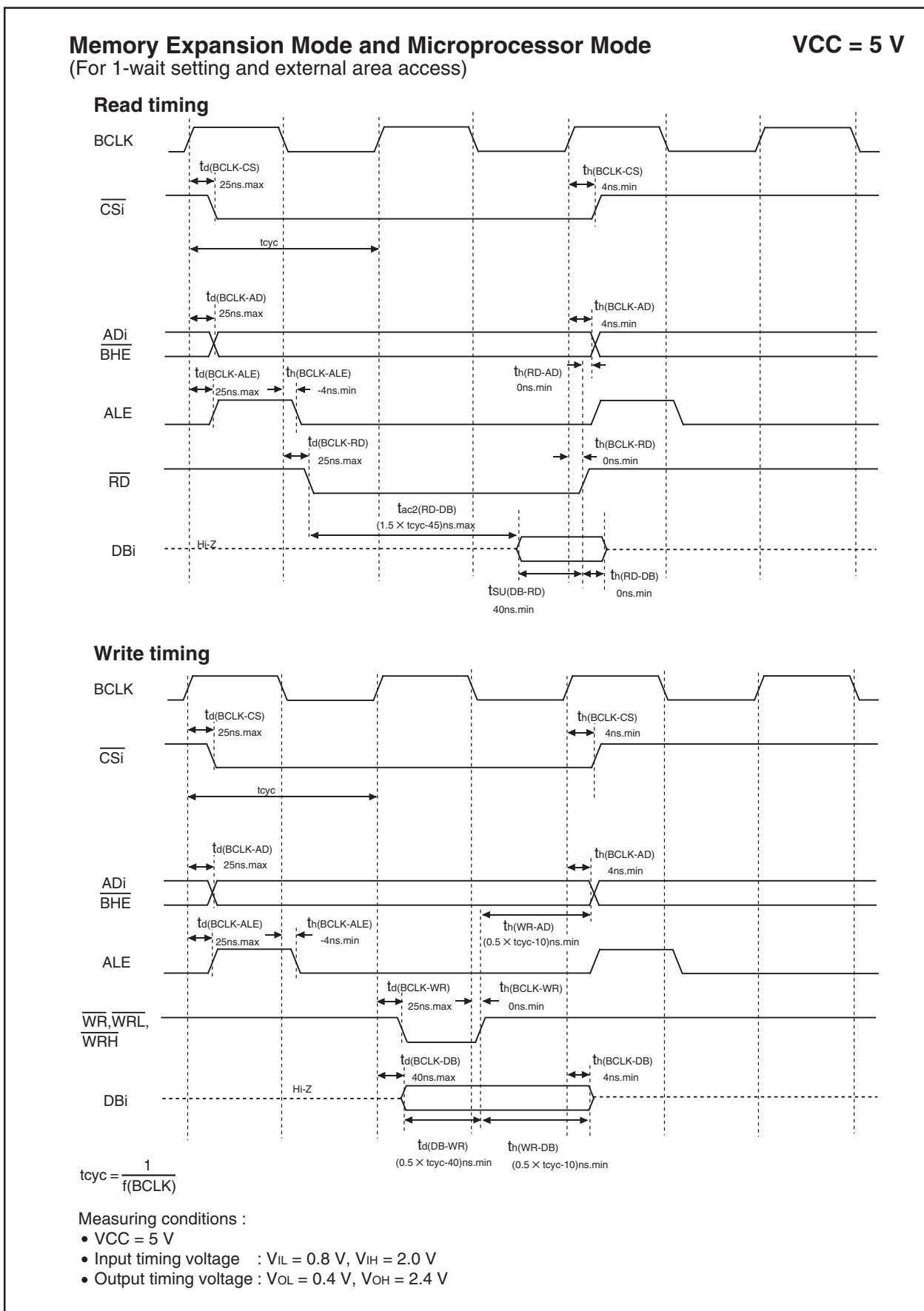


Figure 22.18 Timing Diagram (4)

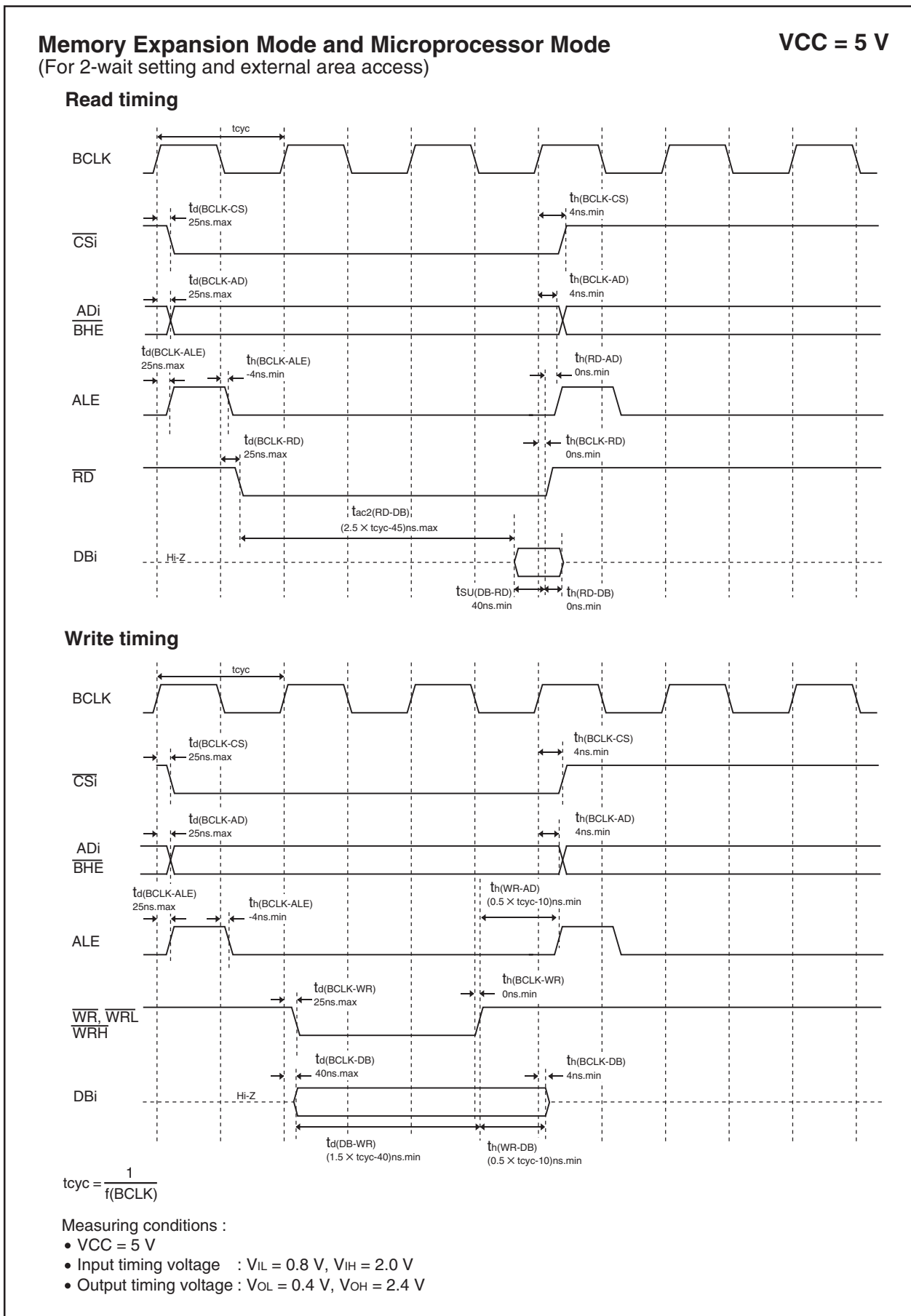


Figure 22.19 Timing Diagram (5)

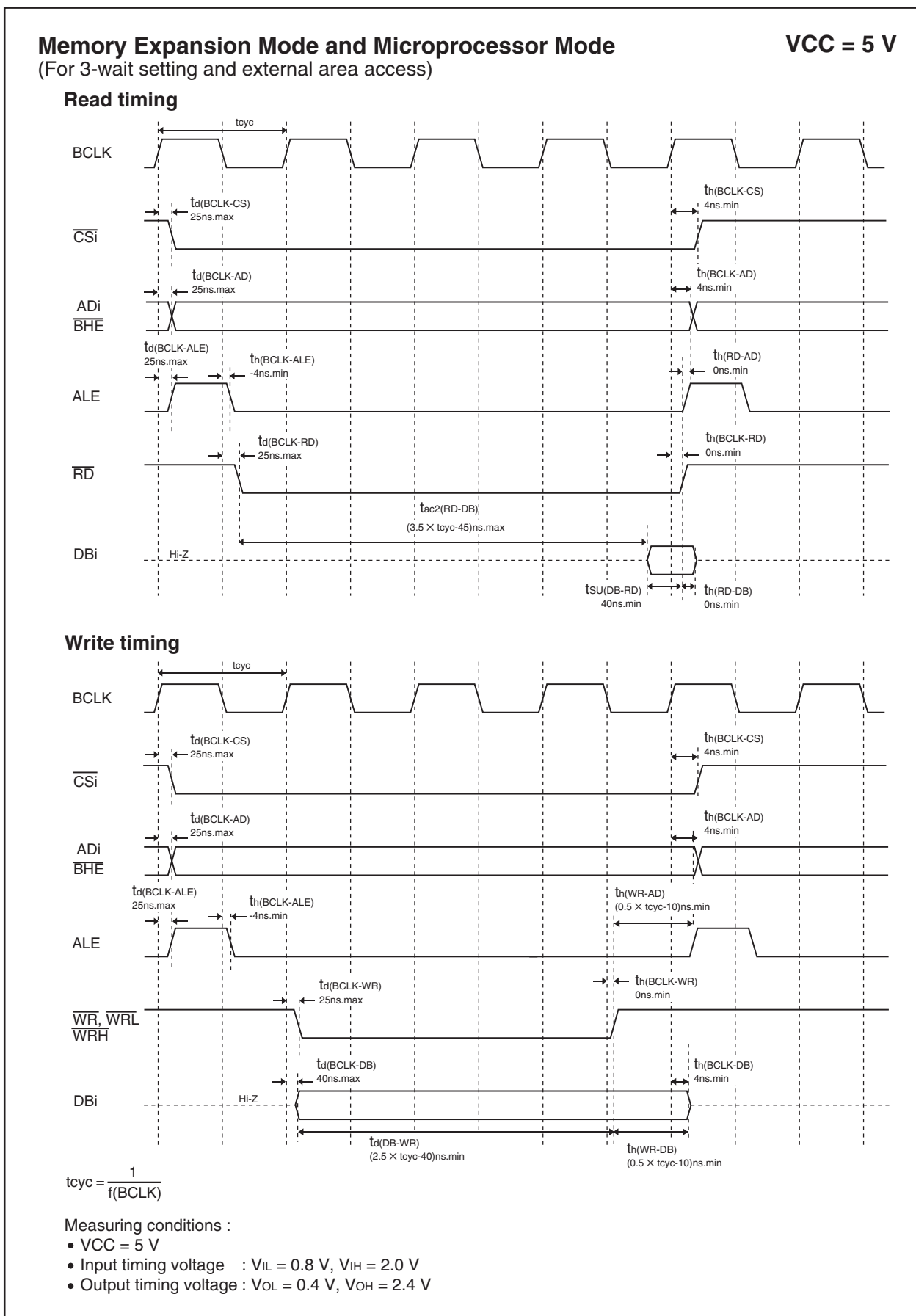


Figure 22.20 Timing Diagram (6)

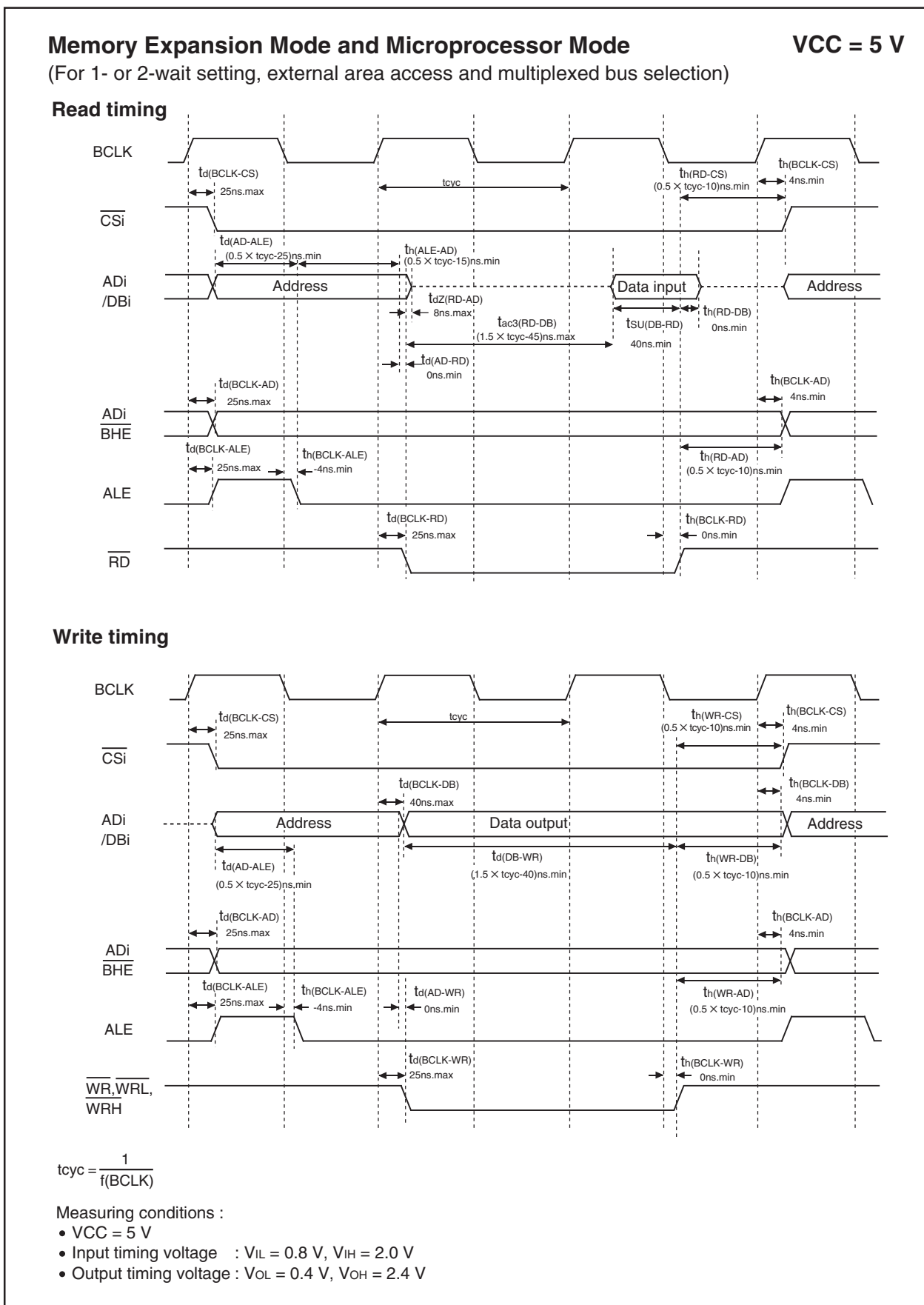


Figure 22.21 Timing Diagram (7)

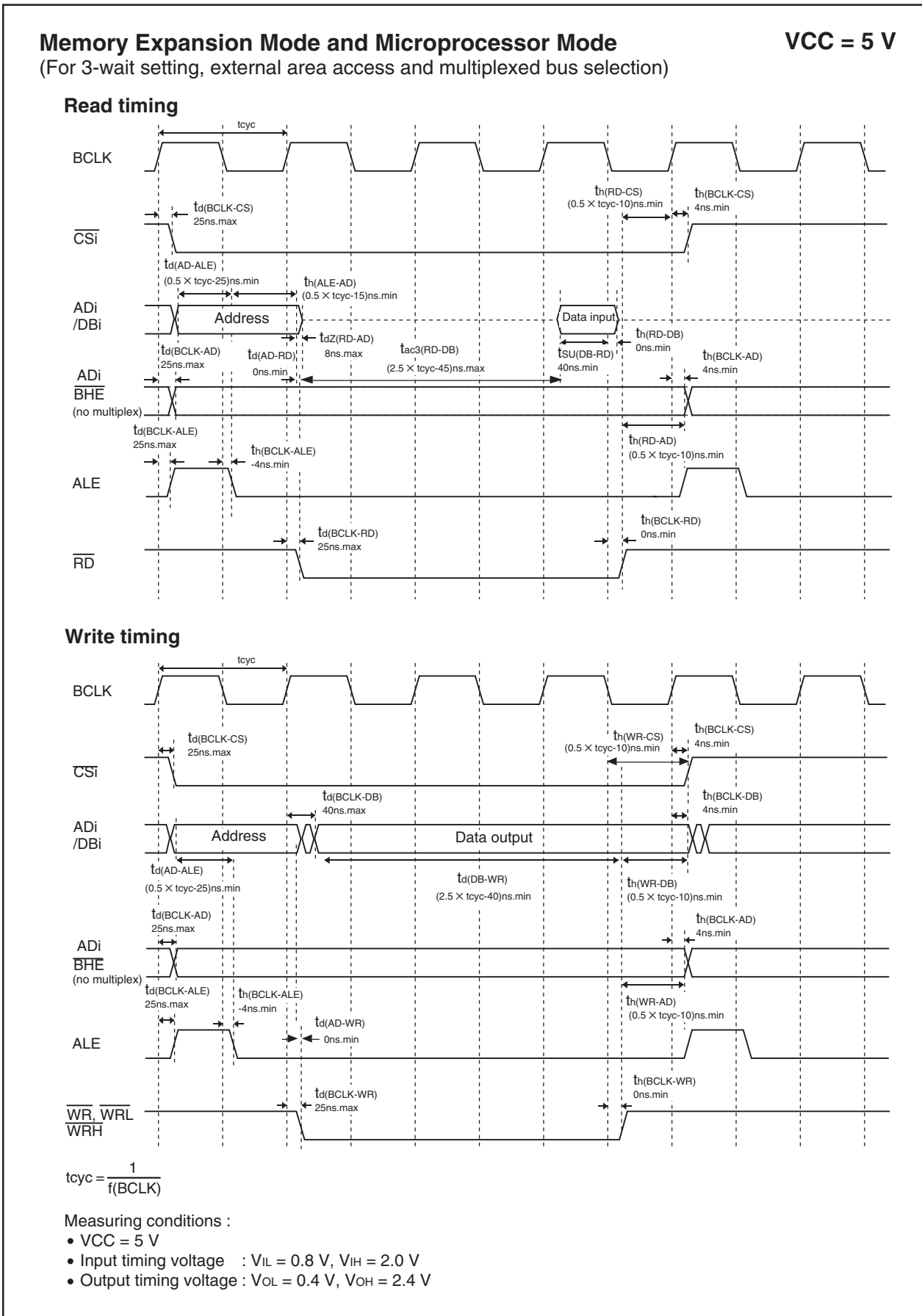


Figure 22.22 Timing Diagram (8)

Table 22.51 Electrical Characteristics ⁽¹⁾

VCC = 3.3 V

Symbol	Parameter		Measuring Condition	Standard			Unit
				Min.	Typ.	Max.	
V _{OH}	HIGH output voltage	P0_0 to P0_7, P1_0 to P1_7, P2_0 to P2_7, P3_0 to P3_7, P4_0 to P4_7, P5_0 to P5_7, P6_0 to P6_7, P7_0, P7_2 to P7_7, P8_0 to P8_4, P8_6, P8_7, P9_0, P9_2 to P9_7, P10_0 to P10_7	I _{OH} = -1 mA	V _{CC} -0.5		V _{CC}	V
V _{OH}	HIGH output voltage	XOUT	HIGHPOWER	I _{OH} = -0.1 mA	V _{CC} -0.5	V _{CC}	V
			LOWPOWER	I _{OH} = -50 μA	V _{CC} -0.5	V _{CC}	
	HIGH output voltage	XCOUT	HIGHPOWER	With no load applied		2.5	V
			LOWPOWER	With no load applied		1.6	
V _{OL}	LOW output voltage	P0_0 to P0_7, P1_0 to P1_7, P2_0 to P2_7, P3_0 to P3_7, P4_0 to P4_7, P5_0 to P5_7, P6_0 to P6_7, P7_0 to P7_7, P8_0 to P8_4, P8_6, P8_7, P9_0 to P9_7, P10_0 to P10_7	I _{OL} = 1 mA			0.5	V
V _{OL}	LOW output voltage	XOUT	HIGHPOWER	I _{OL} = 0.1 mA		0.5	V
			LOWPOWER	I _{OL} = 50 μA		0.5	
	LOW output voltage	XCOUT	HIGHPOWER	With no load applied		0	V
			LOWPOWER	With no load applied		0	
V _{T+} -V _{T-}	Hysteresis	HOLD, RDY, TA0IN to TA4IN, TB0IN to TB5IN, INT0 to INT5, NMI, ADTRG, CTS0 to CTS2, SCL0 to SCL2, SDA0 to SDA2, CLK0 to CLK3, TA0OUT to TA4OUT, KI0 to KI3, RXD0 to RXD2, SIN3		0.2		0.8	V
V _{T+} -V _{T-}	Hysteresis	RESET		0.2		1.8	V
I _{IH}	HIGH input current	P0_0 to P0_7, P1_0 to P1_7, P2_0 to P2_7, P3_0 to P3_7, P4_0 to P4_7, P5_0 to P5_7, P6_0 to P6_7, P7_0 to P7_7, P8_0 to P8_7, P9_0 to P9_7, P10_0 to P10_7, XIN, RESET, CNVSS, BYTE	V _I = 3.3 V			4.0	μA
I _{IL}	LOW input current	P0_0 to P0_7, P1_0 to P1_7, P2_0 to P2_7, P3_0 to P3_7, P4_0 to P4_7, P5_0 to P5_7, P6_0 to P6_7, P7_0 to P7_7, P8_0 to P8_7, P9_0 to P9_7, P10_0 to P10_7, XIN, RESET, CNVSS, BYTE	V _I = 0 V			-4.0	μA
R _{PULLUP}	Pull-up resistance	P0_0 to P0_7, P1_0 to P1_7, P2_0 to P2_7, P3_0 to P3_7, P4_0 to P4_7, P5_0 to P5_7, P6_0 to P6_7, P7_0, P7_2 to P7_7, P8_0 to P8_4, P8_6, P8_7, P9_0, P9_2 to P9_7, P10_0 to P10_7	V _I = 0 V	50	100	500	kΩ
R _{IXIN}	Feedback resistance	XIN			3.0		MΩ
R _{IXCIN}	Feedback resistance	XCIN			25		MΩ
V _{RAM}	RAM retention voltage		At stop mode	2.0			V

NOTES:

1. Referenced to VCC = 3.0 to 3.6 V, VSS = 0 V at Topr = -40 to 85°C, f(BCLK) = 24 MHz unless otherwise specified.

Timing Requirements**VCC = 3.3 V****(Referenced to VCC = 3.3 V, VSS = 0 V, at Topr = -40 to 85°C unless otherwise specified)****Table 22.52 External Clock Input (XIN Input)**

Symbol	Parameter	Standard		Unit
		Min.	Max.	
t _c	External clock input cycle time	62.5		ns
t _{w(H)}	External clock input HIGH pulse width	25		ns
t _{w(L)}	External clock input LOW pulse width	25		ns
t _r	External clock rise time		15	ns
t _f	External clock fall time		15	ns

Table 22.53 Memory Expansion Mode and Microprocessor Mode

Symbol	Parameter	Standard		Unit
		Min.	Max.	
t _{ac1(RD-DB)}	Data input access time (for setting with no wait)		(NOTE 1)	ns
t _{ac2(RD-DB)}	Data input access time (for setting with wait)		(NOTE 2)	ns
t _{ac3(RD-DB)}	Data input access time (when accessing multiplexed bus area)		(NOTE 3)	ns
t _{su(DB-RD)}	Data input setup time	50		ns
t _{su(RDY-BCLK)}	RDY input setup time	40		ns
t _{su(HOLD-BCLK)}	HOLD input setup time	50		ns
t _{h(RD-DB)}	Data input hold time	0		ns
t _{h(BCLK-RDY)}	RDY input hold time	0		ns
t _{h(BCLK-HOLD)}	HOLD input hold time	0		ns

NOTES:

1. Calculated according to the BCLK frequency as follows:

$$\frac{0.5 \times 10^9}{f(\text{BCLK})} - 60 \text{ [ns]}$$

2. Calculated according to the BCLK frequency as follows:

$$\frac{(n-0.5) \times 10^9}{f(\text{BCLK})} - 60 \text{ [ns]} \quad n \text{ is "2" for 1-wait setting, "3" for 2-wait setting and "4" for 3-wait setting.}$$

3. Calculated according to the BCLK frequency as follows:

$$\frac{(n-0.5) \times 10^9}{f(\text{BCLK})} - 60 \text{ [ns]} \quad n \text{ is "2" for 2-wait setting, "3" for 3-wait setting.}$$

Timing Requirements**VCC = 3.3 V****(Referenced to VCC = 3.3 V, VSS = 0 V, at Topr = -40 to 85°C unless otherwise specified)****Table 22.54 Timer A Input (Counter Input in Event Counter Mode)**

Symbol	Parameter	Standard		Unit
		Min.	Max.	
$t_{c(TA)}$	TAiIN input cycle time	150		ns
$t_{w(TAH)}$	TAiIN input HIGH pulse width	60		ns
$t_{w(TAL)}$	TAiIN input LOW pulse width	60		ns

Table 22.55 Timer A Input (Gating Input in Timer Mode)

Symbol	Parameter	Standard		Unit
		Min.	Max.	
$t_{c(TA)}$	TAiIN input cycle time	600		ns
$t_{w(TAH)}$	TAiIN input HIGH pulse width	300		ns
$t_{w(TAL)}$	TAiIN input LOW pulse width	300		ns

Table 22.56 Timer A Input (External Trigger Input in One-shot Timer Mode)

Symbol	Parameter	Standard		Unit
		Min.	Max.	
$t_{c(TA)}$	TAiIN input cycle time	300		ns
$t_{w(TAH)}$	TAiIN input HIGH pulse width	150		ns
$t_{w(TAL)}$	TAiIN input LOW pulse width	150		ns

Table 22.57 Timer A Input (External Trigger Input in Pulse Width Modulation Mode)

Symbol	Parameter	Standard		Unit
		Min.	Max.	
$t_{w(TAH)}$	TAiIN input HIGH pulse width	150		ns
$t_{w(TAL)}$	TAiIN input LOW pulse width	150		ns

Table 22.58 Timer A Input (Counter Increment/decrement Input in Event Counter Mode)

Symbol	Parameter	Standard		Unit
		Min.	Max.	
$t_{c(UP)}$	TAiOUT input cycle time	3000		ns
$t_{w(UPH)}$	TAiOUT input HIGH pulse width	1500		ns
$t_{w(UPL)}$	TAiOUT input LOW pulse width	1500		ns
$t_{su(UP-TIN)}$	TAiOUT input setup time	600		ns
$t_h(TIN-UP)$	TAiOUT input hold time	600		ns

Table 22.59 Timer A Input (Two-phase Pulse Input in Event Counter Mode)

Symbol	Parameter	Standard		Unit
		Min.	Max.	
$t_{c(TA)}$	TAiIN input cycle time	2		μ s
$t_{su(TAIN-TAOUT)}$	TAiOUT input setup time	500		ns
$t_{su(TAOUT-TAIN)}$	TAiIN input setup time	500		ns

Timing Requirements**VCC = 3.3 V****(Referenced to VCC = 3.3 V, VSS = 0 V, at Topr = -40 to 85°C unless otherwise specified)****Table 22.60 Timer B Input (Counter Input in Event Counter Mode)**

Symbol	Parameter	Standard		Unit
		Min.	Max.	
$t_{c(TB)}$	TBiIN input cycle time (counted on one edge)	150		ns
$t_{w(TBH)}$	TBiIN input HIGH pulse width (counted on one edge)	60		ns
$t_{w(TBL)}$	TBiIN input LOW pulse width (counted on one edge)	60		ns
$t_{c(TB)}$	TBiIN input cycle time (counted on both edges)	300		ns
$t_{w(TBH)}$	TBiIN input HIGH pulse width (counted on both edges)	120		ns
$t_{w(TBL)}$	TBiIN input LOW pulse width (counted on both edges)	120		ns

Table 22.61 Timer B Input (Pulse Period Measurement Mode)

Symbol	Parameter	Standard		Unit
		Min.	Max.	
$t_{c(TB)}$	TBiIN input cycle time	600		ns
$t_{w(TBH)}$	TBiIN input HIGH pulse width	300		ns
$t_{w(TBL)}$	TBiIN input LOW pulse width	300		ns

Table 22.62 Timer B Input (Pulse Width Measurement Mode)

Symbol	Parameter	Standard		Unit
		Min.	Max.	
$t_{c(TB)}$	TBiIN input cycle time	600		ns
$t_{w(TBH)}$	TBiIN input HIGH pulse width	300		ns
$t_{w(TBL)}$	TBiIN input LOW pulse width	300		ns

Table 22.63 A/D Trigger Input

Symbol	Parameter	Standard		Unit
		Min.	Max.	
$t_{c(AD)}$	ADTRG input cycle time (trigger able minimum)	1500		ns
$t_{w(ADL)}$	ADTRG input LOW pulse width	200		ns

Table 22.64 Serial Interface

Symbol	Parameter	Standard		Unit
		Min.	Max.	
$t_{c(CK)}$	CLKi input cycle time	300		ns
$t_{w(CKH)}$	CLKi input HIGH pulse width	150		ns
$t_{w(CKL)}$	CLKi input LOW pulse width	150		ns
$t_{d(C-Q)}$	TXDi output delay time		160	ns
$t_{h(C-Q)}$	TXDi hold time	0		ns
$t_{su(D-C)}$	RXDi input setup time	100		ns
$t_{h(C-D)}$	RXDi input hold time	90		ns

Table 22.65 External Interrupt INTi Input

Symbol	Parameter	Standard		Unit
		Min.	Max.	
$t_{w(INH)}$	INTi input HIGH pulse width	380		ns
$t_{w(INL)}$	INTi input LOW pulse width	380		ns

Switching Characteristics

VCC = 3.3 V

(Referenced to VCC = 3.3 V, VSS = 0 V, at Topr = -40 to 85 °C unless otherwise specified)

Table 22.66 Memory Expansion Mode and Microprocessor Mode (for setting with no wait)

Symbol	Parameter	Measuring Condition	Standard		Unit
			Min.	Max.	
t _d (BCLK-AD)	Address output delay time	Figure 22.23		30	ns
t _h (BCLK-AD)	Address output hold time (in relation to BCLK)		4		ns
t _h (RD-AD)	Address output hold time (in relation to RD)		0		ns
t _h (WR-AD)	Address output hold time (in relation to WR)		(NOTE 1)		ns
t _d (BCLK-CS)	Chip select output delay time			30	ns
t _h (BCLK-CS)	Chip select output hold time (in relation to BCLK)		4		ns
t _d (BCLK-ALE)	ALE signal output delay time			25	ns
t _h (BCLK-ALE)	ALE signal output hold time		-4		ns
t _d (BCLK-RD)	RD signal output delay time			30	ns
t _h (BCLK-RD)	RD signal output hold time		0		ns
t _d (BCLK-WR)	WR signal output delay time			30	ns
t _h (BCLK-WR)	WR signal output hold time		0		ns
t _d (BCLK-DB)	Data output delay time (in relation to BCLK)			40	ns
t _h (BCLK-DB)	Data output hold time (in relation to BCLK) ⁽³⁾		4		ns
t _d (DB-WR)	Data output delay time (in relation to WR)		(NOTE 2)		ns
t _h (WR-DB)	Data output hold time (in relation to WR) ⁽³⁾	(NOTE 1)		ns	
t _d (BCLK-HLDA)	HLDA output delay time		40	ns	

NOTES:

1. Calculated according to the BCLK frequency as follows:

$$\frac{0.5 \times 10^9}{f(\text{BCLK})} - 10 \text{ [ns]}$$

2. Calculated according to the BCLK frequency as follows:

$$\frac{0.5 \times 10^9}{f(\text{BCLK})} - 40 \text{ [ns]} \quad f(\text{BCLK}) \text{ is } 12.5 \text{ MHz or less.}$$

3. This standard value shows the timing when the output is off, and does not show hold time of data bus.

Hold time of data bus varies with capacitor volume and pull-up (pull-down) resistance value.

Hold time of data bus is expressed in

$$t = -CR \times \ln(1 - V_{OL} / V_{CC})$$

by a circuit of the right figure.

For example, when V_{OL} = 0.2 V_{CC}, C = 30 pF,

R = 1 kΩ, hold time of output “L” level is

$$t = -30 \text{ pF} \times 1 \text{ k}\Omega \times \ln(1 - 0.2 V_{CC} / V_{CC}) = 6.7 \text{ ns.}$$

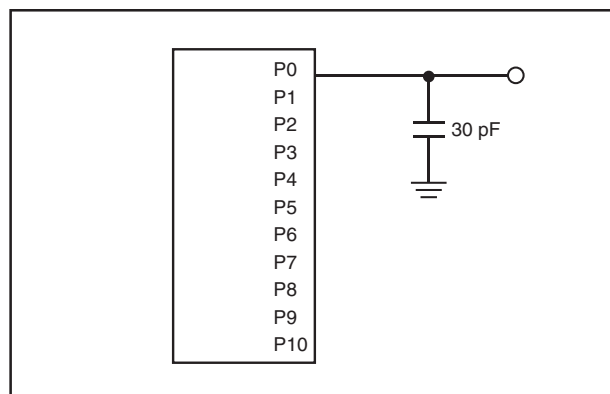
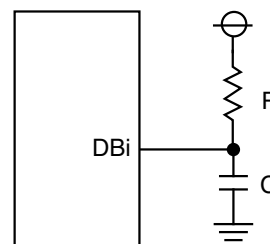


Figure 22.23 Port P0 to P10 Measurement Circuit

Switching Characteristics**VCC = 3.3 V****(Referenced to VCC = 3.3 V, VSS = 0 V, at Topr = -40 to 85 °C unless otherwise specified)****Table 22.67 Memory Expansion Mode and Microprocessor Mode (for 1- to 3-wait setting and external area access)**

Symbol	Parameter	Measuring Condition	Standard		Unit
			Min.	Max.	
t _d (BCLK-AD)	Address output delay time	Figure 22.23		30	ns
t _h (BCLK-AD)	Address output hold time (in relation to BCLK)		4		ns
t _h (RD-AD)	Address output hold time (in relation to RD)		0		ns
t _h (WR-AD)	Address output hold time (in relation to WR)		(NOTE 1)		ns
t _d (BCLK-CS)	Chip select output delay time			30	ns
t _h (BCLK-CS)	Chip select output hold time (in relation to BCLK)		4		ns
t _d (BCLK-ALE)	ALE signal output delay time			25	ns
t _h (BCLK-ALE)	ALE signal output hold time		-4		ns
t _d (BCLK-RD)	RD signal output delay time			30	ns
t _h (BCLK-RD)	RD signal output hold time		0		ns
t _d (BCLK-WR)	WR signal output delay time			30	ns
t _h (BCLK-WR)	WR signal output hold time		0		ns
t _d (BCLK-DB)	Data output delay time (in relation to BCLK)			40	ns
t _h (BCLK-DB)	Data output hold time (in relation to BCLK) ⁽³⁾		4		ns
t _d (DB-WR)	Data output delay time (in relation to WR)		(NOTE 2)		ns
t _h (WR-DB)	Data output hold time (in relation to WR) ⁽³⁾		(NOTE 1)		ns
t _d (BCLK-HLDA)	HLDA output delay time		40	ns	

NOTES:

1. Calculated according to the BCLK frequency as follows:

$$\frac{0.5 \times 10^9}{f(\text{BCLK})} - 10 \text{ [ns]}$$

2. Calculated according to the BCLK frequency as follows:

$$\frac{(n - 0.5) \times 10^9}{f(\text{BCLK})} - 40 \text{ [ns]}$$

n is "1" for 1-wait setting, "2" for 2-wait setting and "3" for 3-wait setting.
When n = 1, f(BCLK) is 12.5 MHz or less.

3. This standard value shows the timing when the output is off, and does not show hold time of data bus.

Hold time of data bus varies with capacitor volume and pull-up (pull-down) resistance value.

Hold time of data bus is expressed in

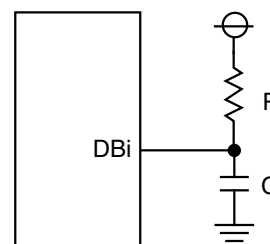
$$t = -CR \times \ln(1 - V_{OL} / V_{CC})$$

by a circuit of the right figure.

For example, when $V_{OL} = 0.2 V_{CC}$, $C = 30 \text{ pF}$,

$R = 1 \text{ k}\Omega$, hold time of output "L" level is

$$t = -30 \text{ pF} \times 1 \text{ k}\Omega \times \ln(1 - 0.2 V_{CC} / V_{CC}) = 6.7 \text{ ns.}$$



Switching Characteristics**VCC = 3.3 V****(Referenced to VCC = 3.3 V, VSS = 0 V, at Topr = –40 to 85 °C unless otherwise specified)****Table 22.68 Memory Expansion Mode and Microprocessor Mode
(for 2- to 3-wait setting, external area access and multiplexed bus selection)**

Symbol	Parameter	Measuring Condition	Standard		Unit
			Min.	Max.	
t _d (BCLK-AD)	Address output delay time	Figure 22.23		50	ns
t _h (BCLK-AD)	Address output hold time (in relation to BCLK)		4		ns
t _h (RD-AD)	Address output hold time (in relation to RD)		(NOTE 1)		ns
t _h (WR-AD)	Address output hold time (in relation to WR)		(NOTE 1)		ns
t _d (BCLK-CS)	Chip select output delay time			50	ns
t _h (BCLK-CS)	Chip select output hold time (in relation to BCLK)		4		ns
t _h (RD-CS)	Chip select output hold time (in relation to RD)		(NOTE 1)		ns
t _h (WR-CS)	Chip select output hold time (in relation to WR)		(NOTE 1)		ns
t _d (BCLK-RD)	RD signal output delay time			40	ns
t _h (BCLK-RD)	RD signal output hold time		0		ns
t _d (BCLK-WR)	WR signal output delay time			40	ns
t _h (BCLK-WR)	WR signal output hold time		0		ns
t _d (BCLK-DB)	Data output delay time (in relation to BCLK)			50	ns
t _h (BCLK-DB)	Data output hold time (in relation to BCLK)		4		ns
t _d (DB-WR)	Data output delay time (in relation to WR)		(NOTE 2)		ns
t _h (WR-DB)	Data output hold time (in relation to WR)		(NOTE 1)		ns
t _d (BCLK-HLDA)	HLDA output delay time			40	ns
t _d (BCLK-ALE)	ALE signal output delay time (in relation to BCLK)			25	ns
t _h (BCLK-ALE)	ALE signal output hold time (in relation to BCLK)		–4		ns
t _d (AD-ALE)	ALE signal output delay time (in relation to Address)		(NOTE 3)		ns
t _h (ALE-AD)	ALE signal output hold time (in relation to Address)		(NOTE 4)		ns
t _d (AD-RD)	RD signal output delay from the end of Address		0		ns
t _d (AD-WR)	WR signal output delay from the end of Address		0		ns
t _{dZ} (RD-AD)	Address output floating start time			8	ns

NOTES:

1. Calculated according to the BCLK frequency as follows:

$$\frac{0.5 \times 10^9}{f(\text{BCLK})} - 10 \text{ [ns]}$$

2. Calculated according to the BCLK frequency as follows:

$$\frac{(n - 0.5) \times 10^9}{f(\text{BCLK})} - 50 \text{ [ns]} \quad n \text{ is "2" for 2-wait setting, "3" for 3-wait setting.}$$

3. Calculated according to the BCLK frequency as follows:

$$\frac{0.5 \times 10^9}{f(\text{BCLK})} - 40 \text{ [ns]}$$

4. Calculated according to the BCLK frequency as follows:

$$\frac{0.5 \times 10^9}{f(\text{BCLK})} - 15 \text{ [ns]}$$

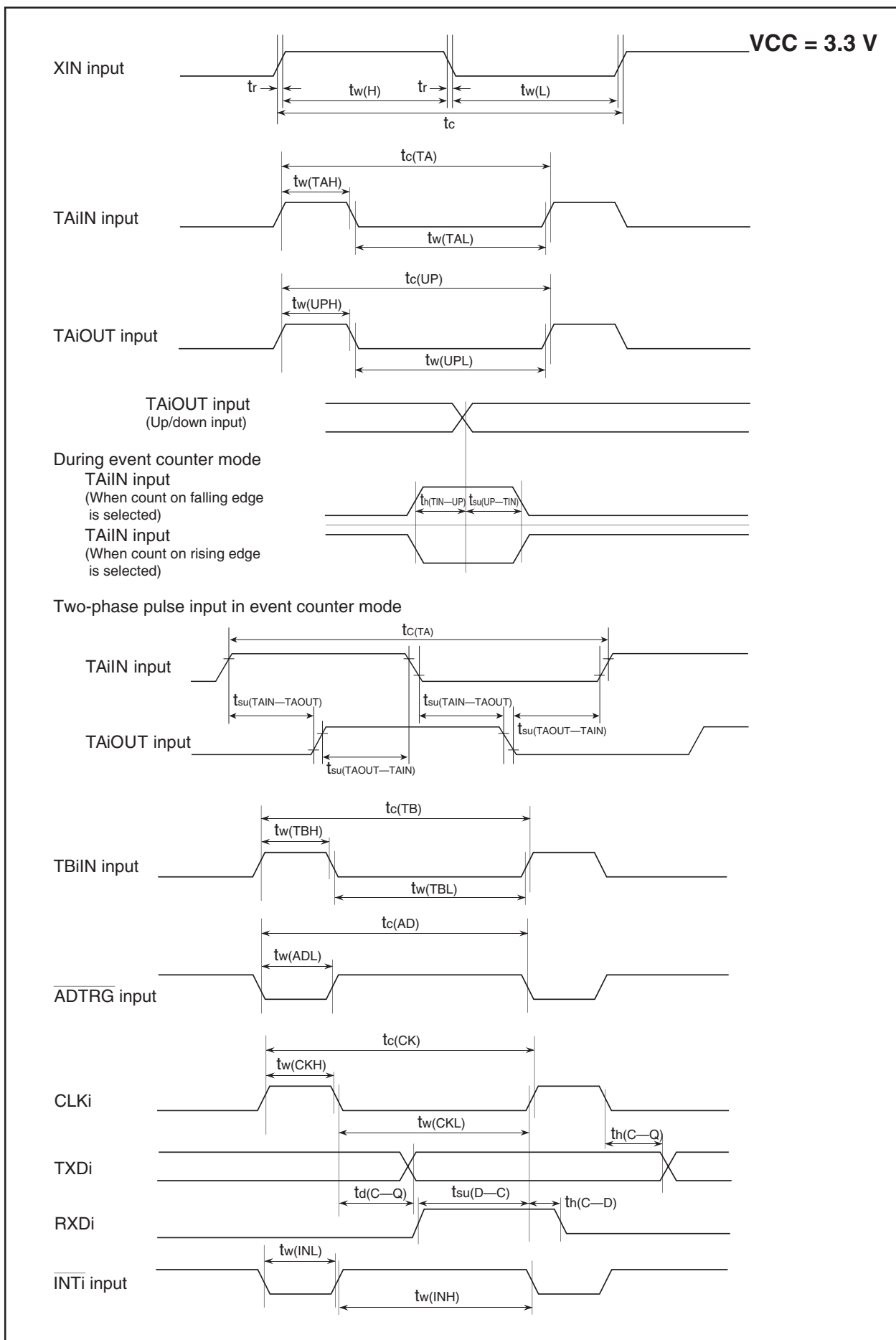


Figure 22.24 Timing Diagram (1)

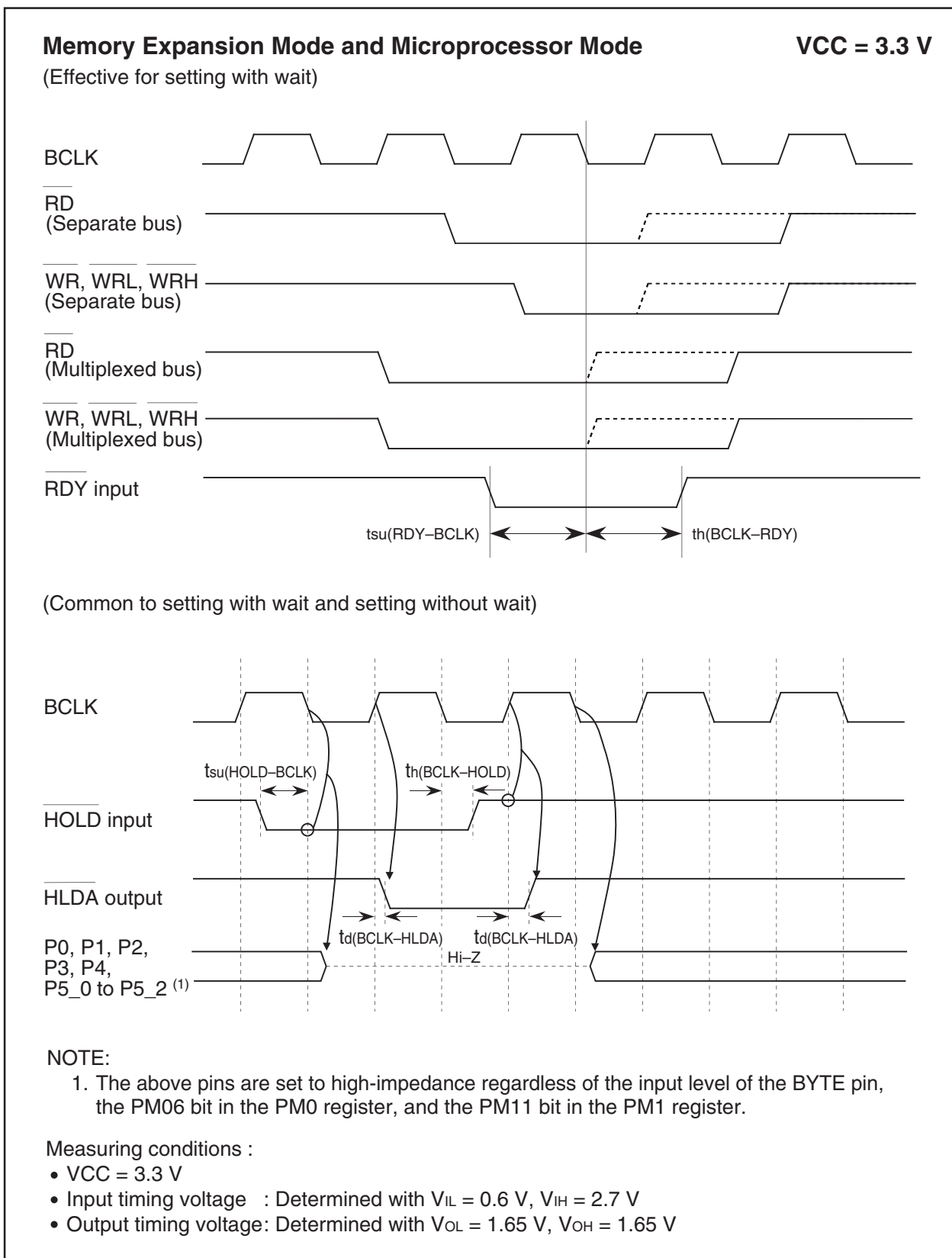


Figure 22.25 Timing Diagram (2)

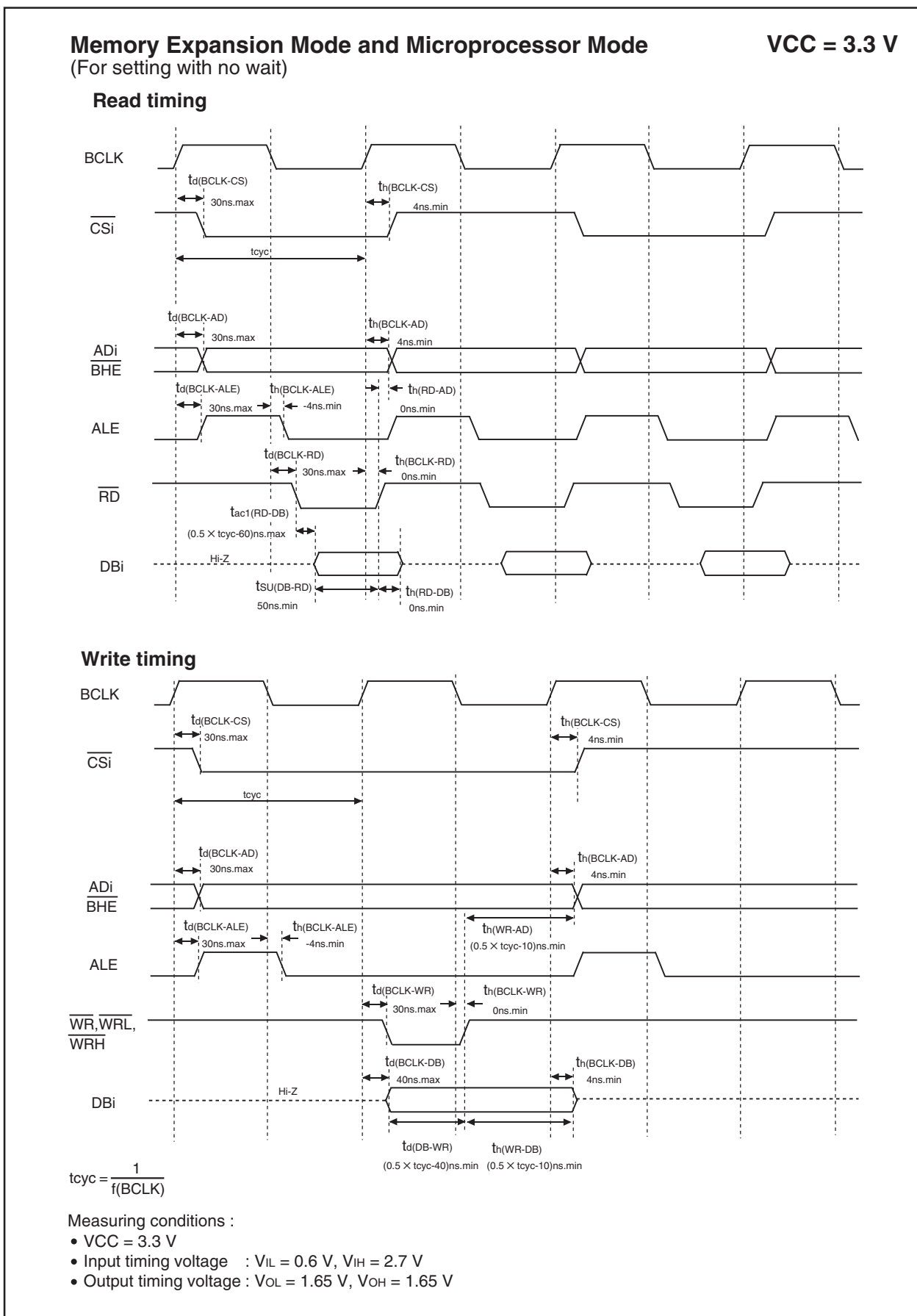


Figure 22.26 Timing Diagram (3)

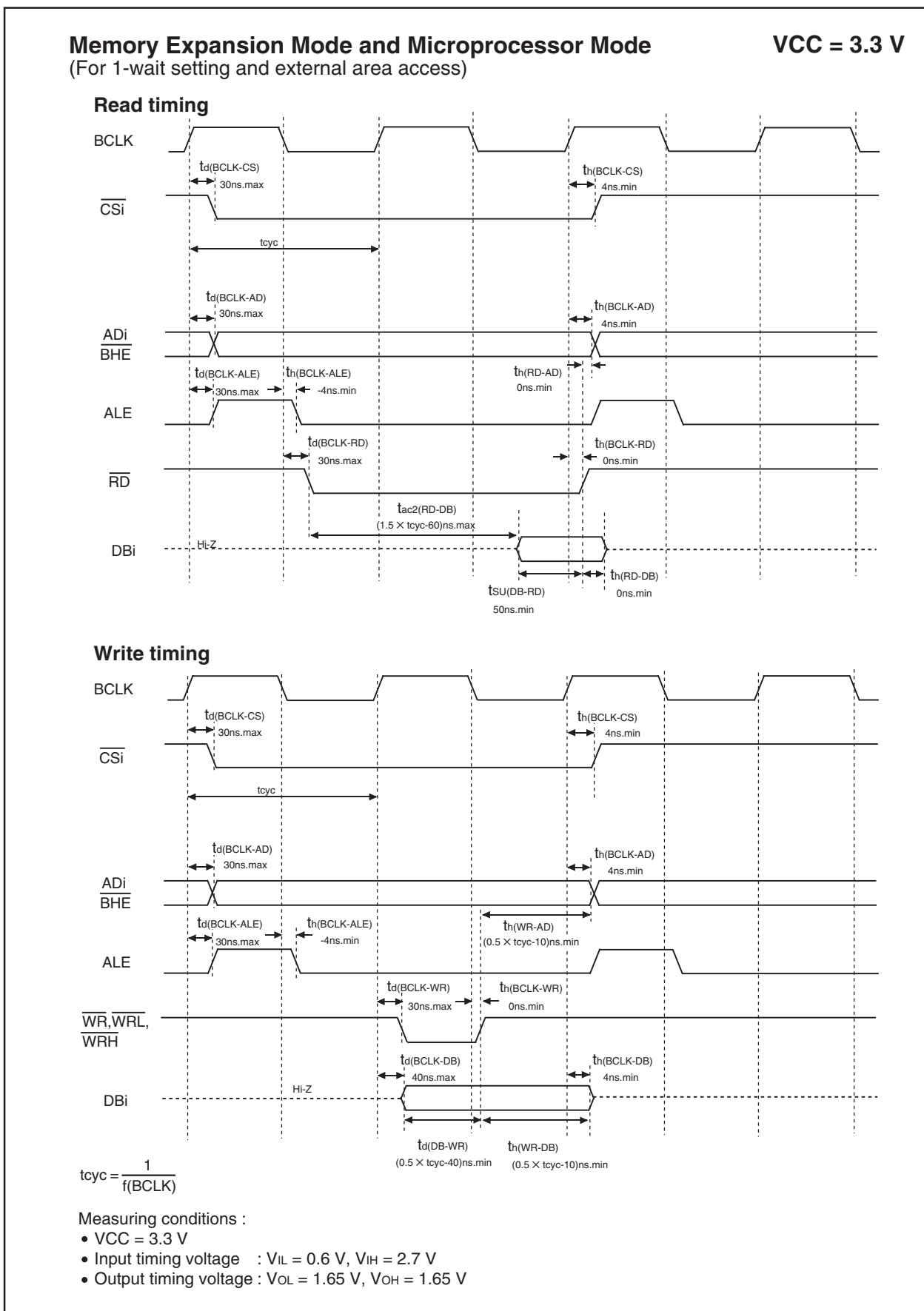


Figure 22.27 Timing Diagram (4)

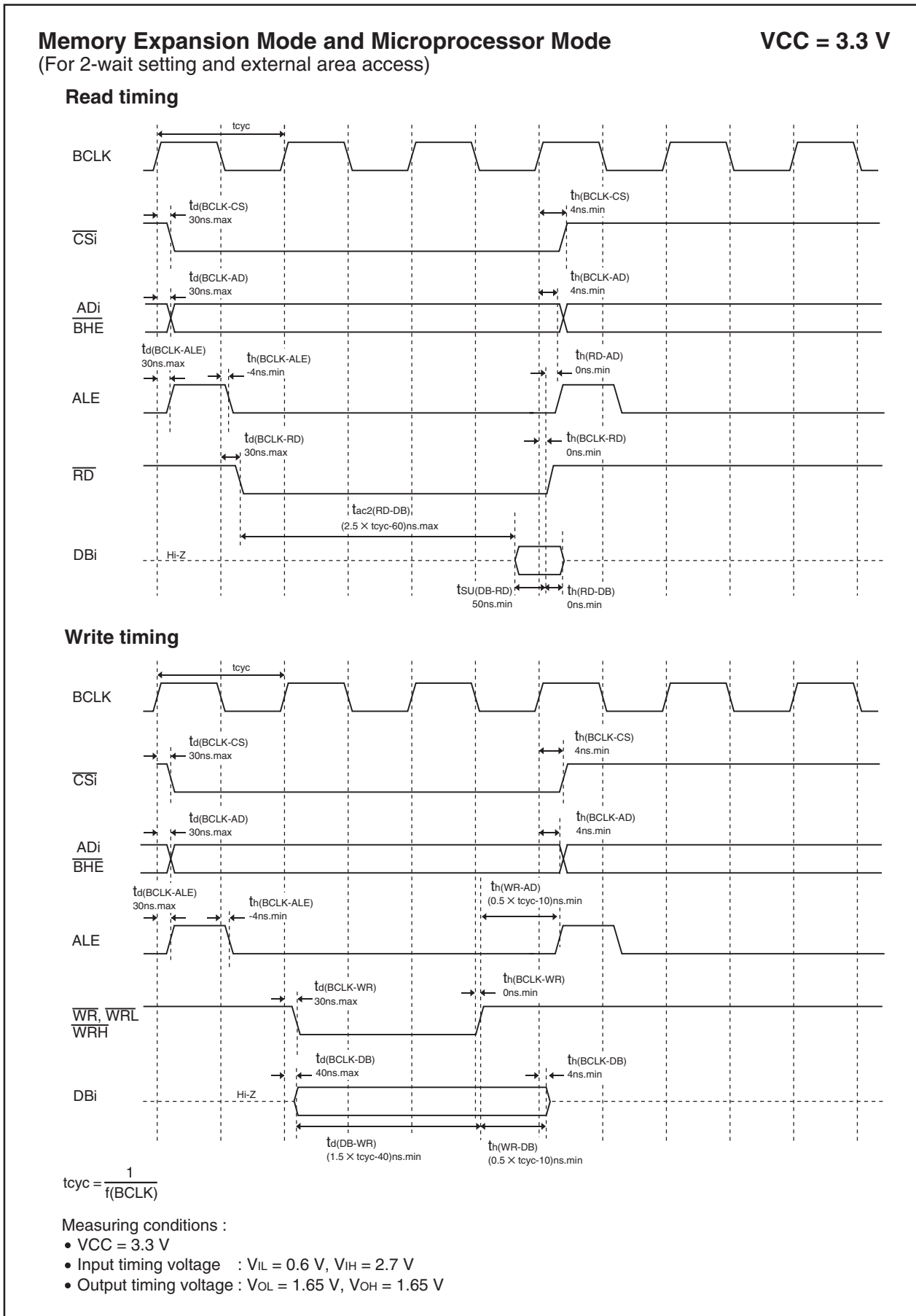


Figure 22.28 Timing Diagram (5)

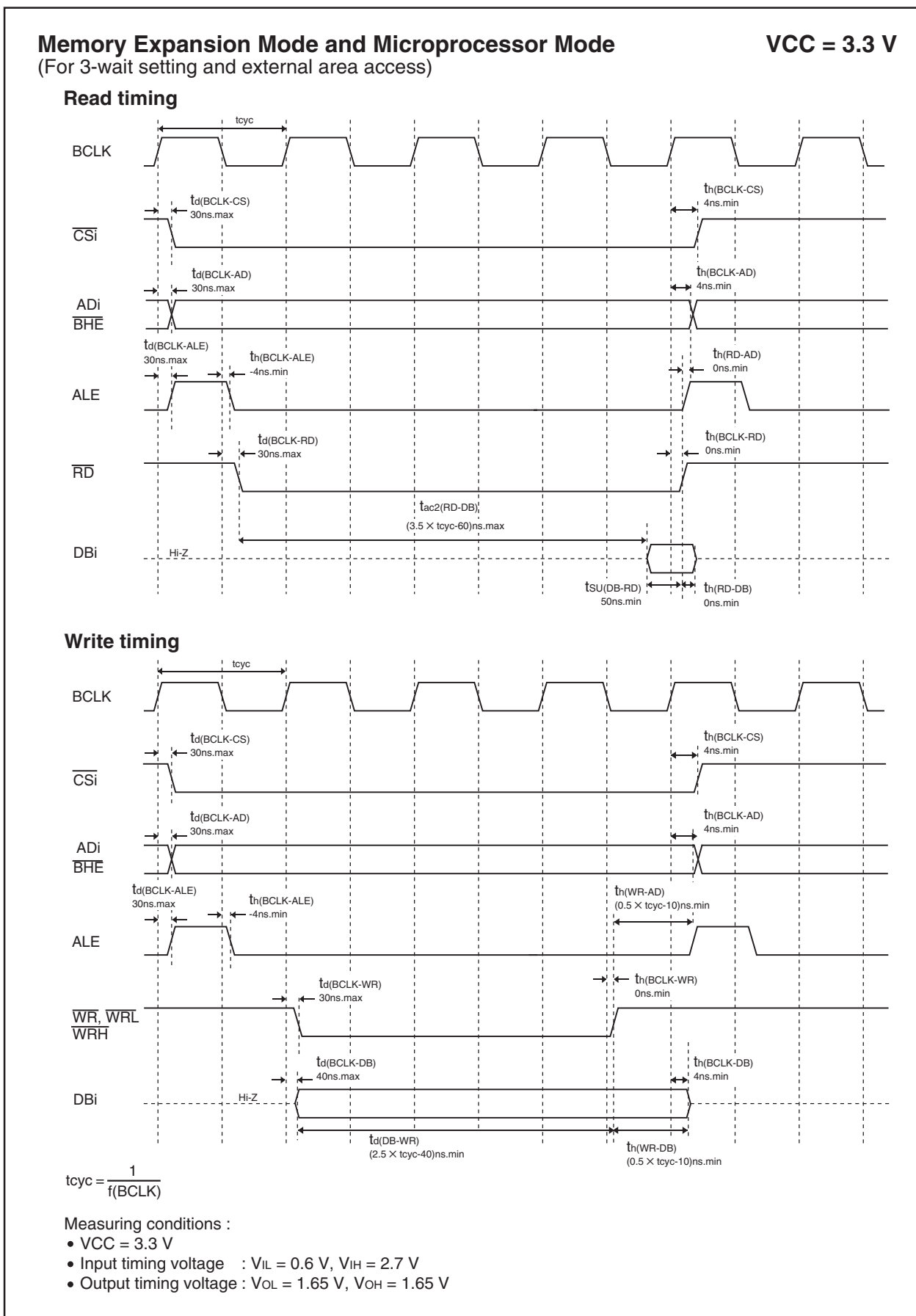


Figure 22.29 Timing Diagram (6)

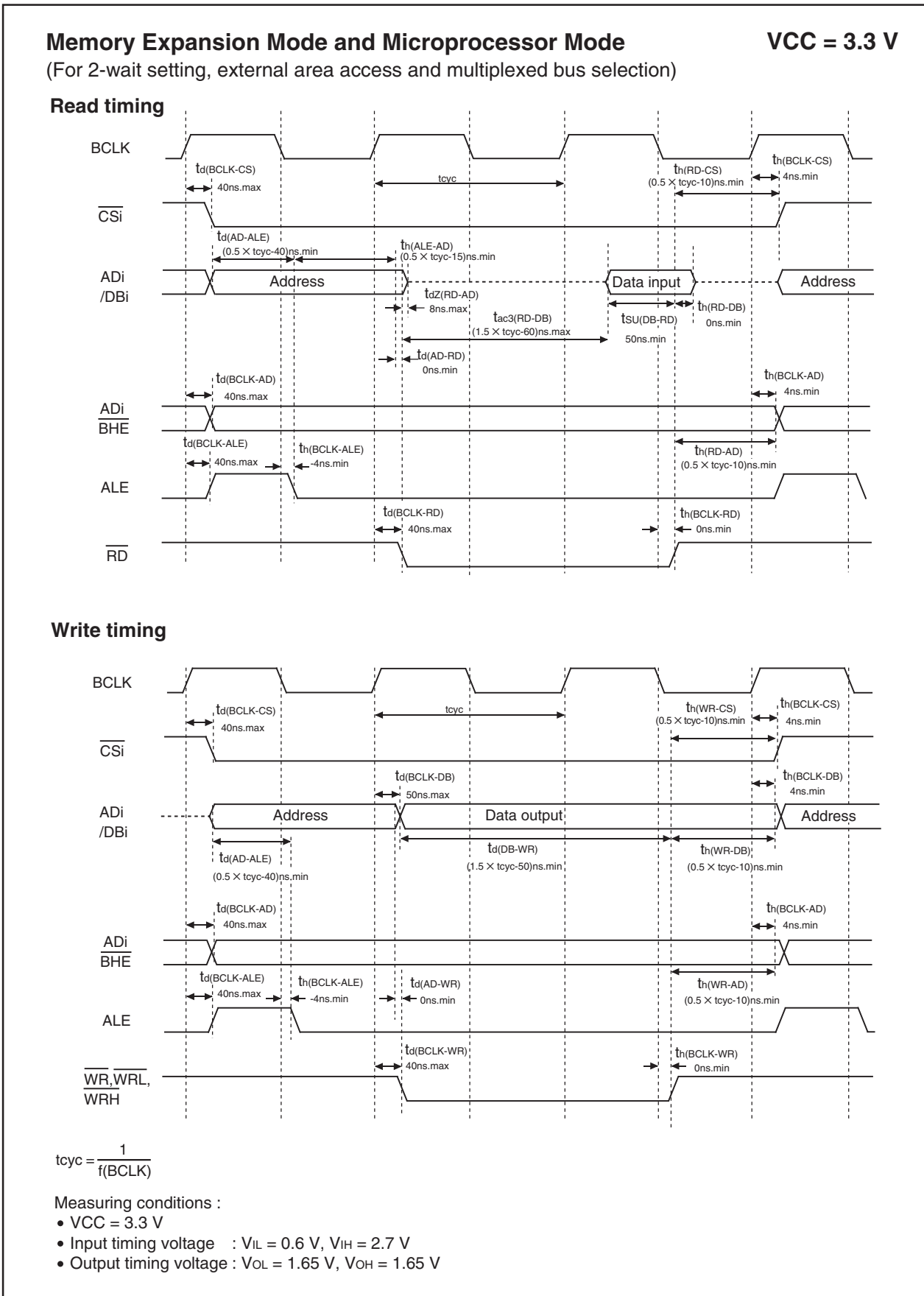


Figure 22.30 Timing Diagram (7)

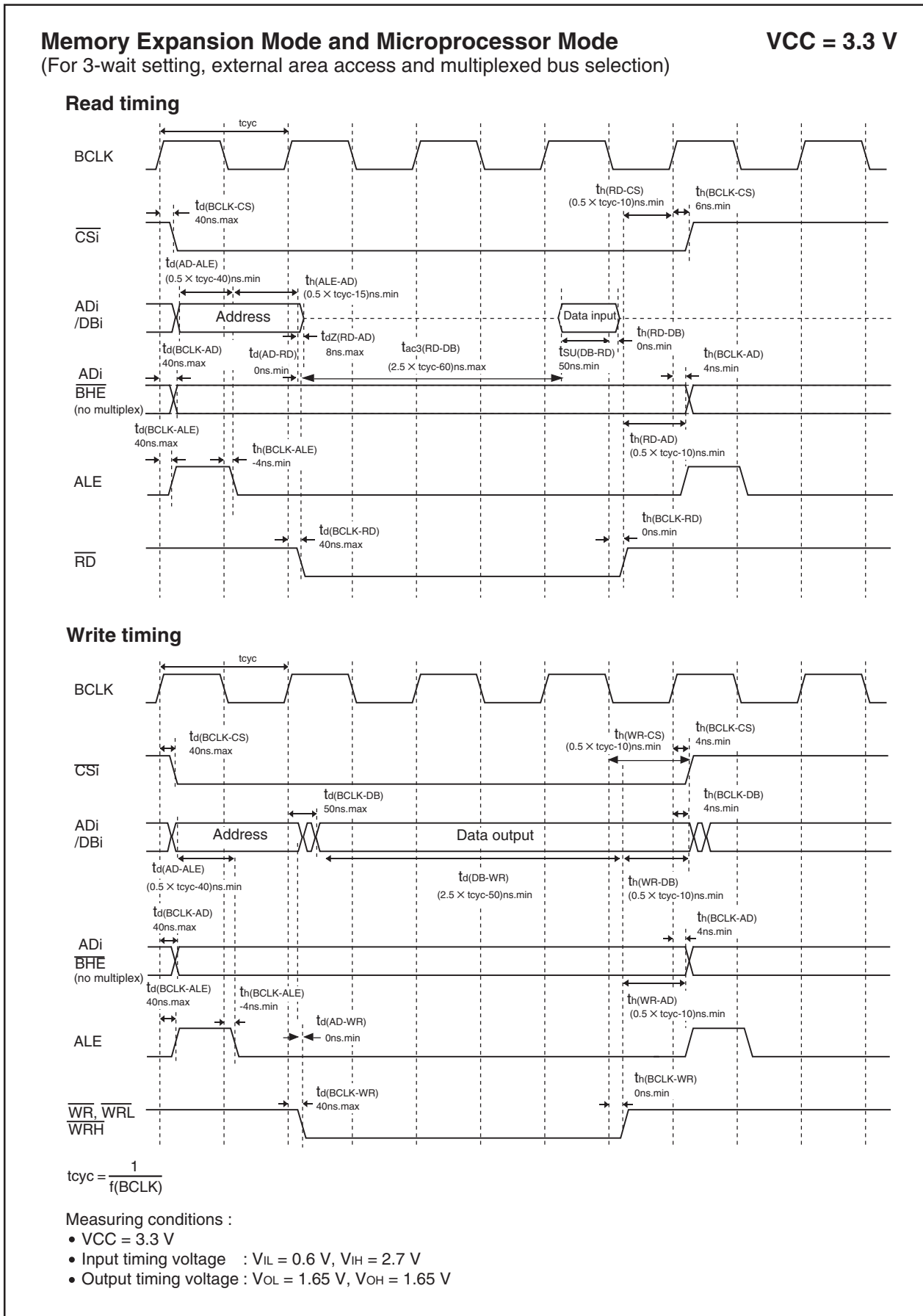


Figure 22.31 Timing Diagram (8)

23. Usage Notes

23.1 SFRs

There are the SFRs with write-only bits which can only be written to. Set these registers with undefined values. When establishing the next value by altering the present value, write the present value to the RAM as well as to the register. Transfer the next value to the register after making changes in the RAM.

Table 23.1 lists Registers with Write-only Bits.

Table 23.1 Registers with Write-only Bits

Register Name	Symbol	Address
Watchdog Timer Start Register	WDTS	000Eh
Timer A1-1 Register	TA11	01C3h, 01C2h
Timer A2-1 Register	TA21	01C5h, 01C4h
Timer A4-1 Register	TA41	01C7h, 01C6h
Dead Time Timer	DTT	01CCh
Timer B2 Interrupt Generation Frequency Set Counter	ICTB2	01CDh
SI/O3 Bit Rate Register	S3BRG	01E3h
UART2 Bit Rate Register	U2BRG	01F9h
UART2 Transmit Buffer Register	U2TB	01FBh, 01FAh
Up-Down Flag	UDF	0384h
Timer A0 Register	TA0	0387h, 0386h
Timer A1 Register	TA1	0389h, 0388h
Timer A2 Register	TA2	038Bh, 038Ah
Timer A3 Register	TA3	038Dh, 038Ch
Timer A4 Register	TA4	038Fh, 038Eh
UART0 Bit Rate Register	U0BRG	03A1h
UART0 Transmit Buffer Register	U0TB	03A3h, 03A2h
UART1 Bit Rate Register	U1BRG	03A9h
UART1 Transmit Buffer Register	U1TB	03ABh, 03AAh

23.2 External Bus

When resetting CNVSS pin with “H” input, contents of internal ROM cannot be read out.

23.3 PLL Frequency Synthesizer

Stabilize supply voltage so that the standard of the power supply ripple is met. (Refer to **22. Electrical Characteristics.**)

23.4 Power Control

- When exiting stop mode by hardware reset, set $\overline{\text{RESET}}$ pin to “L” until a main clock oscillation is stabilized.
- Set the MR0 bit in the TAIMR register ($i = 0$ to 4) to 0 (pulse is not output) to use the timer A to exit stop mode.
- When entering wait mode, insert a JMP.B instruction before a WAIT instruction. Do not execute any instructions which can generate a write to RAM between the JMP.B and WAIT instructions. Disable the DMA transfers, if a DMA transfer may occur between the JMP.B and WAIT instructions. After the WAIT instruction, insert at least 4 NOP instructions. When entering wait mode, the instruction queue roadstead the instructions following WAIT, and depending on timing, some of these may execute before the MCU enters wait mode.

Program example when entering wait mode

```

Program Example:      JMP.B  L1          ; Insert JMP.B instruction before WAIT instruction
                    L1:
                      FSET   I          ;
                      WAIT   ; Enter wait mode
                      NOP    ; More than 4 NOP instructions
                      NOP
                      NOP
                      NOP

```

- When entering stop mode, describe as follows.
 - (1) To use the BSET instruction for entering stop mode:
Write the BSET instruction (BSET bit, base:16) as described below.
When entering stop mode, DMA transfer must be disabled.

```

                    BSET   0,CM1      ; Stop mode setting [bit, base:16]
                    JMP.B  L1          ;
L1:
                    NOP    ; Countermeasure to avoid the program from
                    NOP    ; stopping by reading instruction ahead
                    NOP    ; (insert 4 or more NOPs)
                    NOP    ;

```

- (2) To use the MOV instruction for entering stop mode:
Write the MOV instruction (MOV.B #IMM8, abs16) as described below.
When entering stop mode, DMA transfer must be disabled.
Change the **src** value (marked as “#21”), depending on your usage condition.

```

                    MOV.B  #21H,CM1   ; Stop mode setting [#IMM8, abs16]
                    JMP.B  L1          ;
L1:
                    NOP    ; Countermeasure to avoid the program from
                    NOP    ; stopping by reading instruction ahead
                    NOP    ; (insert 4 or more NOPs)
                    NOP    ;

```

- When entering medium-speed mode after transferring to stop mode from low-speed mode and low power dissipation mode, write the MOV instruction (MOV.W #IMM16, abs16) as described below. When entering stop mode and exiting from stop mode, DMA transfer must be disabled. Change the **src** value (marked as “#2118”) depending on your usage condition.

```

MOV.W #2118H,CM0 ; Stop mode setting [#IMM16, abs16]
JMP.S L1 ;
L1:
NOP ; Countermeasure to avoid the program from
NOP ; stopping by reading instruction ahead
NOP ; (insert 4 or more NOPs)
NOP ;

```

- Wait until the main clock oscillation stabilizes, before switching the clock source for CPU clock to the main clock. Similarly, wait until the sub clock oscillation stabilizes, before switching the clock source for CPU clock to the sub clock.
- Suggestions to reduce power consumption.

Ports

The processor retains the state of each I/O port even when it goes to wait mode or to stop mode. A current flows in active I/O ports. A pass current flows in input ports that high-impedance state. When entering wait mode or stop mode, set non-used ports to input and stabilize the potential.

A/D converter

When A/D conversion is not performed, set the VCUT bit in the ADCON1 register to 0 (VREF not connection). When A/D conversion is performed, start the A/D conversion at least 1 μs or longer after setting the VCUT bit to 1 (VREF connection).

D/A converter

When not performing D/A conversion, set the DAiE bit (i = 0, 1) in the DACON register to 0 (input disabled) and DAi register to 00h.

Stopping peripheral functions

Use the CM02 bit in the CM0 register to stop the unnecessary peripheral functions during wait mode. However, because the peripheral function clock (fC32) generated from the sub-clock does not stop, this measure is not conducive to reducing the power consumption of the chip. If low speed mode or low power dissipation mode is to be changed to wait mode, set the CM02 bit to 0 (do not peripheral function clock stopped when in wait mode), before changing wait mode.

Switching the oscillation-driving capacity

Set the driving capacity to “LOW” when oscillation is stable.

23.5 Protection

Set the PRC2 bit in the PRCR register to 1 (write enabled) and then write to given address, and the PRC2 bit will be set to 0 (write protected). The registers protected by the PRC2 bit should be changed in the next instruction after setting the PRC2 bit to 1. Make sure no interrupts or no DMA transfers will occur between the instruction in which the PRC2 bit is set to 1 and the next instruction.

23.6 Interrupts

23.6.1 Reading Address 00000h

Do not read the address 00000h in a program. When a maskable interrupt request is accepted, the CPU reads interrupt information (interrupt number and interrupt request priority level) from the address 00000h during the interrupt sequence. At this time, the IR bit for the accepted interrupt is set to 0.

If the address 00000h is read in a program, the IR bit for the interrupt which has the highest priority among the enabled interrupts is set to 0. This causes a problem that the interrupt is canceled, or an unexpected interrupt request is generated.

23.6.2 Setting SP

Set any value in the SP (USP, ISP) before accepting an interrupt. The SP (USP, ISP) is set to 0000h after reset. Therefore, if an interrupt is accepted before setting any value in the SP (USP, ISP), the program may go out of control.

Especially when using $\overline{\text{NMI}}$ interrupt, set a value in the ISP at the beginning of the program. For the first and only the first instruction after reset, all interrupts including $\overline{\text{NMI}}$ interrupt are disabled.

23.6.3 $\overline{\text{NMI}}$ Interrupt

- The $\overline{\text{NMI}}$ interrupt cannot be disabled. If this interrupt is unused, connect the $\overline{\text{NMI}}$ pin to VCC via a resistor (pull-up).
- The input level of the $\overline{\text{NMI}}$ pin can be read by accessing the P8_5 bit in the P8 register. Note that the P8_5 bit can only be read when determining the pin level in $\overline{\text{NMI}}$ interrupt routine.
- Stop mode cannot be entered into while input on the $\overline{\text{NMI}}$ pin is low. This is because while input on the $\overline{\text{NMI}}$ pin is low the CM10 bit in the CM1 register is fixed to 0.
- Do not go to wait mode while input on the $\overline{\text{NMI}}$ pin is low. This is because when input on the $\overline{\text{NMI}}$ pin goes low, the CPU stops but CPU clock remains active; therefore, the current consumption in the chip does not drop. In this case, normal condition is restored by an interrupt generated thereafter.
- The low and high level durations of the input signal to the $\overline{\text{NMI}}$ pin must each be 2 CPU clock cycles + 300 ns or more.

23.6.4 Changing Interrupt Source

If the interrupt source is changed, the IR bit in the interrupt control register for the changed interrupt may inadvertently be set to 1 (interrupt requested). If you changed the interrupt source for an interrupt that needs to be used, be sure to set the IR bit for that interrupt to 0 (interrupt not requested).

Changing the interrupt source referred to here means any act of changing the source, polarity or timing of the interrupt assigned to each software interrupt number. Therefore, if a mode change of any peripheral function involves changing the source, polarity or timing of an interrupt, be sure to set the IR bit for that interrupt to 0 (interrupt not requested) after making such changes. Refer to the description of each peripheral function for details about the interrupts from peripheral functions.

Figure 23.1 shows the Procedure for Changing Interrupt Source.

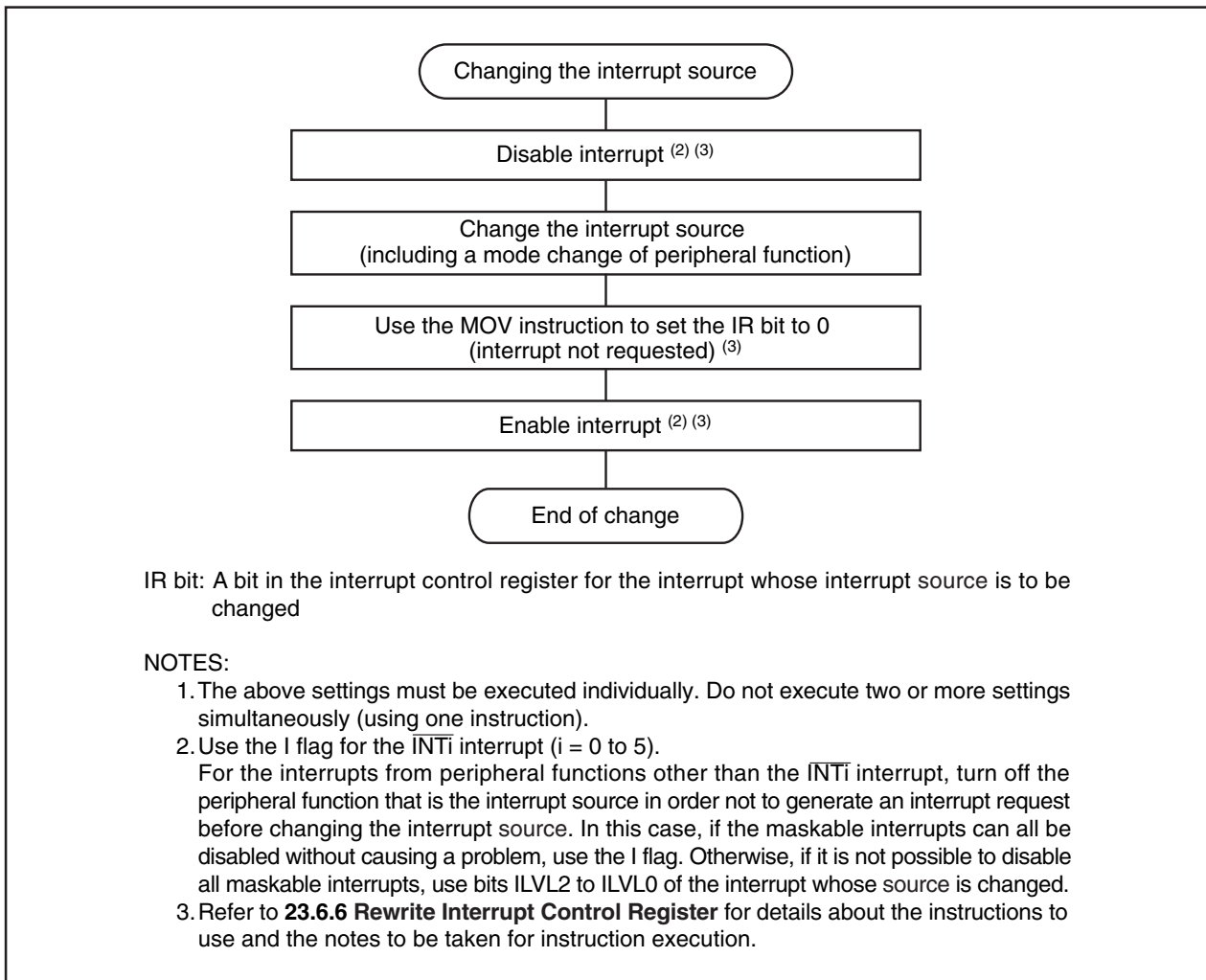


Figure 23.1 Procedure for Changing Interrupt Source

23.6.5 $\overline{\text{INT}}$ Interrupt

- Either an “L” level of at least $tW(\text{INH})$ or an “H” level of at least $tW(\text{INL})$ width is necessary for the signal input to pins $\overline{\text{INT}}_0$ to $\overline{\text{INT}}_5$ regardless of the CPU operation clock.
- If the POL bit in registers INT0IC to INT5IC or bits IFSR10 to IFSR17 in the IFSR1 register are changed, the IR bit may inadvertently set to 1 (interrupt requested). Be sure to set the IR bit to 0 (interrupt not requested) after changing any of those register bits.

23.6.6 Rewrite Interrupt Control Register

- (a) The interrupt control register for any interrupt should be modified in places where no requests for that interrupt may be generated. Otherwise, disable the interrupt before rewriting the interrupt control register.
- (b) To rewrite the interrupt control register for any interrupt after disabling that interrupt, care must be taken when selecting the instructions.

Changing any bit other than IR bit

If while executing an instruction, an interrupt request controlled by the register being modified is generated, the IR bit of the register may not be set to 1 (interrupt requested), with the result that the interrupt request is ignored. If such a situation presents a problem, use the instructions shown below to modify the register.

Usable instructions: AND, OR, BCLR, BSET

Changing IR bit

Depending on the instruction used, the IR bit may not always be set to 0 (interrupt not requested). Therefore, be sure to use the MOV instruction to set the IR bit to 0.

- (c) When using the I flag to disable an interrupt, refer to the sample program fragments shown below as you set the I flag. (Refer to (b) for details about rewrite the interrupt control registers in the sample program fragments.)

Examples 1 through 3 show how to prevent the I flag from being set to 1 (interrupt enabled) before the interrupt control register is rewritten, owing to the effects of the internal bus and the instruction queue buffer.

Example 1: Using the NOP instruction to keep the program waiting until the interrupt control register is modified

```
INT_SWITCH1:
  FCLR   I           ; Disable interrupts.
  AND.B  #00h, 0055h ; Set the TA0IC register to 00h.
  NOP
  NOP
  FSET   I           ; Enable interrupts.
```

The number of the NOP instruction is as follows.

- The PM20 bit in the PM2 register = 1 (1 wait) : 2
- The PM20 bit = 0 (2 waits) : 3
- When using HOLD function : 4

Example 2: Using the dummy read to the FSET instruction delay

```
INT_SWITCH2:
  FCLR   I           ; Disable interrupts.
  AND.B  #00h, 0055h ; Set the TA0IC register to 00h.
  MOV.W  MEM, R0     ; Dummy read.
  FSET   I           ; Enable interrupts.
```

Example 3: Using the POPC instruction to changing the I flag

```
INT_SWITCH3:
  PUSHC  FLG
  FCLR   I           ; Disable interrupts.
  AND.B  #00h, 0055h ; Set the TA0IC register to 00h.
  POPC   FLG        ; Enable interrupts.
```

23.6.7 Watchdog Timer Interrupt

Initialize the watchdog timer after the watchdog timer interrupt request is generated.

23.7 DMAC

23.7.1 Write to DMAE Bit in DMiCON Register (i = 0, 1)

When both of the conditions below are met, follow the steps below.

Conditions

- The DMAE bit is set to 1 again while it remains set (DMAi is in an active state).
- A DMA request may occur simultaneously when the DMAE bit is being written.

Step 1: Write 1 to the DMAE bit and DMAS bit in the DMiCON register simultaneously ⁽¹⁾.

Step 2: Make sure that the DMAi is in an initial state ⁽²⁾ in a program.

If the DMAi is not in an initial state, the above steps should be repeated.

NOTES:

1. The DMAS bit remains unchanged even if 1 is written. However, if 0 is written to this bit, it is set to 0 (DMA not requested). In order to prevent the DMAS bit from being modified to 0, 1 should be written to the DMAS bit when 1 is written to the DMAE bit. In this way the state of the DMAS bit immediately before being written can be maintained.
Similarly, when writing to the DMAE bit with a read-modify-write instruction, 1 should be written to the DMAS bit in order to maintain a DMA request which is generated while the instruction is being executing.
2. Read the TCRi register to verify whether the DMAi is in an initial state. If the read value is equal to a value which was written to the TCRi register before DMA transfer start, the DMAi is in an initial state. (If a DMA request occurs after writing to the DMAE bit, the value written to the TCRi register is 1.) If the read value is a value in the middle of transfer, the DMAi is not in an initial state.

23.8 Timers

23.8.1 Timer A

23.8.1.1 Timer A (Timer Mode)

The timer remains idle after reset. Set the mode, count source, counter value, etc. using the TAI_iMR (i = 0 to 4) register and the TAI register before setting the TAI_S bit in the TABSR register to 1 (count starts). Always make sure the TAI_iMR register is modified while the TAI_S bit remains 0 (count stops) regardless whether after reset or not.

While counting is in progress, the counter value can be read out at any time by reading the TAI register. However, if the counter is read at the same time it is reloaded, the value FFFFh is read. Also, if the counter is read before it starts counting after a value is set in the TAI register while not counting, the set value is read.

If a low-level signal is applied to the $\overline{\text{NMI}}$ pin when the IVPCR1 bit in the TB2SC register = 1 (three-phase output forcible cutoff by input on $\overline{\text{NMI}}$ pin enabled), pins TA1OUT, TA2OUT, and TA4OUT go to a high-impedance state.

23.8.1.2 Timer A (Event Counter Mode)

The timer remains idle after reset. Set the mode, count source, counter value, etc. using the TAI_iMR (i = 0 to 4) register, the TAI register, the UDF register, bits TAZIE, TA0TGL, and TA0TGH in the ONSF register, and the TRGSR register before setting the TAI_S bit in the TABSR register to 1 (count starts). Always make sure the TAI_iMR register, the UDF register, bits TAZIE, TA0TGL, and TA0TGH, and the TRGSR register are modified while the TAI_S bit remains 0 (count stops) regardless whether after reset or not.

While counting is in progress, the counter value can be read out at any time by reading the TAI register. However, FFFFh can be read in underflow, while reloading, and 0000h in overflow. When setting the TAI register to a value during a counter stop, the setting value can be read before a counter starts counting. Also, if the counter is read before it starts counting after a value is set in the TAI register while not counting, the set value is read.

If a low-level signal is applied to the $\overline{\text{NMI}}$ pin when the IVPCR1 bit in the TB2SC register = 1 (three-phase output forcible cutoff by input on $\overline{\text{NMI}}$ pin enabled), pins TA1OUT, TA2OUT, and TA4OUT go to a high-impedance state.

23.8.1.3 Timer A (One-shot Timer Mode)

The timer remains idle after reset. Set the mode, count source, counter value, etc. using the TAI_{MR} (i = 0 to 4) register, the TAI register, bits TA0TGL and TA0TGH in the ONSF register, and the TRGSR register before setting the TAI_S bit in the TABSR register to 1 (count starts).

Always make sure the TAI_{MR} register, bits TA0TGL and TA0TGH, and the TRGSR register are modified while the TAI_S bit remains 0 (count stops) regardless whether after reset or not.

When setting the TAI_S bit to 0 (count stops), the followings occur:

- A counter stops counting and a content of reload register is reloaded.
- TAI_{OUT} pin outputs "L".
- After one cycle of the CPU clock, the IR bit in the TAI_{IC} register is set to 1 (interrupt request).

Output in one-shot timer mode synchronizes with a count source internally generated. When an external trigger has been selected, one-cycle delay of a count source as maximum occurs between a trigger input to TAI_{IN} pin and output in one-shot timer mode.

The IR bit is set to 1 when timer operating mode is set with any of the following procedures:

- Select one-shot timer mode after reset.
- Change an operating mode from timer mode to one-shot timer mode.
- Change an operating mode from event counter mode to one-shot timer mode.

To use the timer Ai interrupt (the IR bit), set the IR bit to 0 after the changes listed above have been made.

When a trigger occurs, while counting, a counter reloads the reload register to continue counting after generating a re-trigger and counting down once. To generate a trigger while counting, generate a second trigger between occurring the previous trigger and operating longer than one cycle of a timer count source.

If a low-level signal is applied to the $\overline{\text{NMI}}$ pin when the IVPCR1 bit in the TB2SC register = 1 (three-phase output forcible cutoff by input on $\overline{\text{NMI}}$ pin enabled), pins TA1_{OUT}, TA2_{OUT}, and TA4_{OUT} go to a high-impedance state.

23.8.1.4 Timer A (Pulse Width Modulation (PWM) Mode)

The timer remains idle after reset. Set the mode, count source, counter value, etc. using the TAI_{MR} (i = 0 to 4) register, the TAI register, bits TA0TGL and TA0TGH in the ONSF register, and the TRGSR register before setting the TAI_S bit in the TABSR register to 1 (count starts).

Always make sure the TAI_{MR} register, bits TA0TGL and TA0TGH, and the TRGSR register are modified while the TAI_S bit remains 0 (count stops) regardless whether after reset or not.

The IR bit is set to 1 when setting a timer operating mode with any of the following procedures:

- Select the PWM mode after reset.
- Change an operating mode from timer mode to PWM mode.
- Change an operating mode from event counter mode to PWM mode.

To use the timer Ai interrupt (the IR bit), set the IR bit to 0 by program after the above listed changes have been made.

When setting TAI_S bit to 0 (count stops) during PWM pulse output, the following action occurs:

- Stop counting.
- When TAI_{OUT} pin is output "H", output level is set to "L" and the IR bit is set to 1.
- When TAI_{OUT} pin is output "L", both output level and the IR bit remain unchanged.

If a low-level signal is applied to the $\overline{\text{NMI}}$ pin when the IVPCR1 bit in the TB2SC register = 1 (three-phase output forcible cutoff by input on $\overline{\text{NMI}}$ pin enabled), pins TA1_{OUT}, TA2_{OUT}, and TA4_{OUT} go to a high-impedance state.

23.8.2 Timer B

23.8.2.1 Timer B (Timer Mode)

The timer remains idle after reset. Set the mode, count source, counter value, etc. using the TBiMR (i = 0 to 5) register and TBi register before setting the TBiS bit ⁽¹⁾ in the TABSR or the TBSR register to 1 (count starts).

Always make sure the TBiMR register is modified while the TBiS bit remains 0 (count stops) regardless whether after reset or not.

NOTE:

1. Bits TB0S to TB2S are the bits 5 to 7 in the TABSR register, bits TB3S to TB5S are the bits 5 to 7 in the TBSR register.

A value of a counter, while counting, can be read in the TBi register at any time. FFFFh is read while reloading. Setting value is read between setting values in the TBi register at count stop and starting a counter.

23.8.2.2 Timer B (Event Counter Mode)

The timer remains idle after reset. Set the mode, count source, counter value, etc. using the TBiMR (i = 0 to 5) register and TBi register before setting the TBiS bit in the TABSR or the TBSR register to 1 (count starts).

Always make sure the TBiMR register is modified while the TBiS bit remains 0 (count stops) regardless whether after reset or not.

The counter value can be read out on-the-fly at any time by reading the TBi register. However, if this register is read at the same time the counter is reloaded, the read value is always FFFFh. If the TBi register is read after setting a value in it while not counting but before the counter starts counting, the read value is the one that has been set in the register.

23.8.2.3 Timer B (Pulse Period/pulse Width Measurement Mode)

The timer remains idle after reset. Set the mode, count source, etc. using the TBiMR (i = 0 to 5) register before setting the TBiS bit in the TABSR or TBSR register to 1 (count starts).

Always make sure the TBiMR register is modified while the TBiS bit remains 0 (count stops) regardless whether after reset or not. To set the MR3 bit to 0 by writing to the TBiMR register while the TBiS bit = 1 (count starts), be sure to write the same value as previously written to bits TM0D0, TM0D1, MR0, MR1, TCK0, and TCK1 and, a 0 to the MR2 bit.

The IR bit in the TBiIC register goes to 1 (interrupt request), when an effective edge of a measurement pulse is input or timer Bi is overflowed. The interrupt source can be determined by use of the MR3 bit in the TBiMR register within the interrupt routine.

If the interrupt source cannot be identified by the MR3 bit such as when the measurement pulse input and a timer overflow occur at the same time, use another timer to count the number of times timer B has overflowed.

To set the MR3 bit to 0 (no overflow), set the TBiMR register with setting the TBiS bit to 1 and counting the next count source after setting the MR3 bit to 1 (overflow).

Use the IR bit in the TBiIC register to detect only overflows. Use the MR3 bit only to determine the interrupt source.

When a count is started and the first effective edge is input, an undefined value is transferred to the reload register. At this time, timer Bi interrupt request is not generated.

A value of the counter is undefined at the beginning of a count. The MR3 bit may be set to 1 and timer Bi interrupt request may be generated between a count start and an effective edge input.

For pulse width measurement, pulse widths are successively measured. Use program to check whether the measurement result is an "H" level width or an "L" level width.

23.9 Serial Interface

23.9.1 Clock Synchronous Serial I/O Mode

23.9.1.1 Transmission/reception

With an external clock selected, and choosing the $\overline{\text{RTS}}$ function, the output level of the $\overline{\text{RTSi}}$ pin goes to “L” when the data-receivable status becomes ready, which informs the transmission side that the reception has become ready. The output level of the $\overline{\text{RTSi}}$ pin goes to “H” when reception starts. So if the $\overline{\text{RTSi}}$ pin is connected to the $\overline{\text{CTS}}$ pin on the transmission side, the circuit can transmission and reception data with consistent timing. With the internal clock, the $\overline{\text{RTS}}$ function has no effect.

If a low-level signal is applied to the $\overline{\text{NMI}}$ pin when the IVPCR1 bit in the TB2SC register = 1 (three-phase output forcible cutoff by input on $\overline{\text{NMI}}$ pin enabled), pins $\overline{\text{RTS2}}$ and CLK2 go to a high-impedance state.

23.9.1.2 Transmission

When an external clock is selected, the conditions must be met while if the CKPOL bit in the UiC0 register = 0 (transmit data output at the falling edge and the receive data taken in at the rising edge of the transfer clock), the external clock is in the high state; if the CKPOL bit = 1 (transmit data output at the rising edge and the receive data taken in at the falling edge of the transfer clock), the external clock is in the low state.

- The TE bit in the UiC1 register = 1 (transmission enabled)
- The TI bit in the UiC1 register = 0 (data present in UiTB register)
- If CTS function is selected, input on the $\overline{\text{CTS}}$ pin = L

23.9.1.3 Reception

In operating the clock synchronous serial I/O, operating a transmitter generates a shift clock. Fix settings for transmission even when using the device only for reception. Dummy data is output to the outside from the TXDi (i = 0 to 2) pin when receiving data.

When an internal clock is selected, set the TE bit in the UiC1 register (i = 0 to 2) to 1 (transmission enabled) and write dummy data to the UiTB register, and the shift clock will thereby be generated. When an external clock is selected, set the TE bit to 1 and write dummy data to the UiTB register, and the shift clock will be generated when the external clock is fed to the CLKi input pin.

When successively receiving data, if all bits of the next receive data are prepared in the UARTi receive register while the RI bit in the UiC1 register = 1 (data present in the UiRB register), an overrun error occurs and the OER bit in the UiRB register is set to 1 (overrun error occurred). In this case, because the content of the UiRB register is undefined, a corrective measure must be taken by programs on the transmit and receive sides so that the valid data before the overrun error occurred will be retransmitted. Note that when an overrun error occurred, the IR bit in the SiRIC register does not change state.

To receive data in succession, set dummy data in the lower-order byte of the UiTB register every time reception is made.

When an external clock is selected, the conditions must be met while if the CKPOL bit = 0, the external clock is in the high state; if the CKPOL bit = 1, the external clock is in the low state.

- The RE bit in the UiC1 register = 1 (reception enabled)
- The TE bit in the UiC1 register = 1 (transmission enabled)
- The TI bit in the UiC1 register = 0 (data present in the UiTB register)

23.9.2 Special Modes

23.9.2.1 Special Mode 1 (I²C Mode)

When generating start, stop and restart conditions, set the STSPSEL bit in the UiSMR4 register to 0 (start and stop conditions not output) and wait for more than half cycle of the transfer clock before setting each condition generate bit (bits STAREQ, RSTAREQ, and STPREQ) from 0 (clear) to 1 (start).

23.9.2.2 Special Mode 2

If a low-level signal is applied to the $\overline{\text{NMI}}$ pin when the IVPCR1 bit in the TB2SC register = 1 (three-phase output forcible cutoff by input on $\overline{\text{NMI}}$ pin enabled), pins $\overline{\text{RTS2}}$ and $\overline{\text{CLK2}}$ go to a high-impedance state.

23.9.2.3 Special Mode 4 (SIM Mode)

A transmit interrupt request is generated by setting the U2IRS bit in the U2C1 register to 1 (transmission completed) and U2ERE bit in the U2C1 register to 1 (error signal output) after reset. Therefore, when using SIM mode, be sure to set the IR bit to 0 (no interrupt request) after setting these bits.

23.9.3 SI/O3

The SOUT3 default value which is set to the SOUT3 pin by the SM37 in the S3C register bit approximately 10 ns may be output when changing the SM33 bit in the S3C register from 0 (I/O port) to 1 (SOUT3 output and CLK3 function) while the SM32 bit in the S3C register to 0 (SOUT3 output) and the SM36 bit is set to 1 (internal clock). And then the SOUT3 pin is held high-impedance.

If the level which is output from the SOUT3 pin is a problem when changing the SM33 bit from 0 to 1, set the default value of the SOUT3 pin by the SM37 bit.

23.10 A/D Converter

Set the ADCON0 (except bit 6), registers ADCON1 and ADCON2 when A/D conversion is stopped (before a trigger occurs). After stopping A/D conversion, the VCUT bit in the ADCON1 register is changed from 1 (VREF connected) to 0 (VREF not connected),

When the VCUT bit is changed from 0 to 1, start A/D conversion after passing 1 μ s or longer.

To prevent noise-induced device malfunction or latch-up, as well as to reduce conversion errors, insert capacitors between the AVCC, VREF, and analog input pins (ANi (i = 0 to 7), AN0_i, and AN2_i) each and the AVSS pin. Similarly, insert a capacitor between the VCC pin and the VSS pin.

Figure 23.2 shows the Use of Capacitors to Reduce Noise.

Make sure the port direction bits for those pins that are used as analog inputs are set to 0 (input mode). Also, if the TGR bit in the ADCON0 register = 1 (external trigger), make sure the port direction bit for the ADTRG pin is set to 0 (input mode).

When using key input interrupt, do not use any of four pins AN4 to AN7 as analog inputs. (A key input interrupt request is generated when the A/D input voltage goes low.)

The ϕ AD frequency must be 10 MHz or less. Without sample and hold, limit the ϕ AD frequency to 250 kHz or more. With the sample and hold, limit the ϕ AD frequency to 1 MHz or more.

When changing an A/D operating mode, select analog input pin again in bits CH2 to CH0 in the ADCON0 register and bits SCAN1 to SCAN0 in the ADCON1 register.

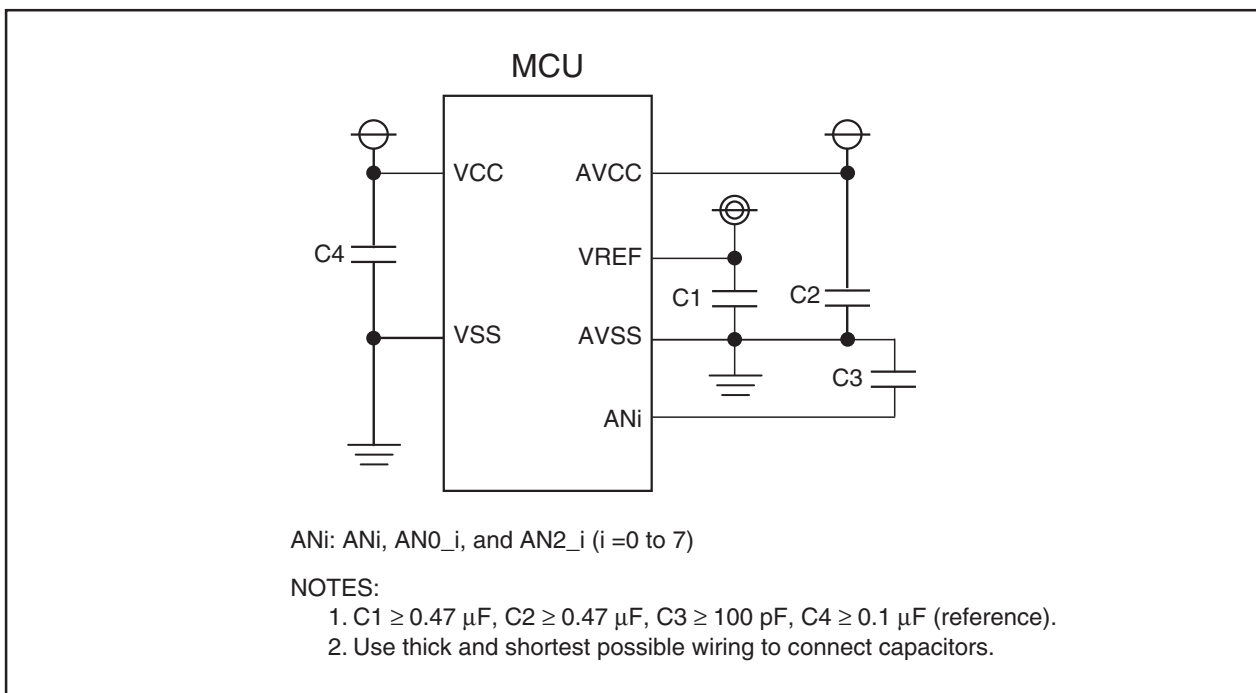


Figure 23.2 Use of Capacitors to Reduce Noise

If the CPU reads the ADi register ($i = 0, 1$) at the same time the conversion result is stored in the ADi register after completion of A/D conversion, an incorrect value may be stored in the ADi register. This problem occurs when a divide-by-n clock derived from the main clock or a sub clock is selected for CPU clock.

- When operating in one-shot or single-sweep mode
Check to see that A/D conversion is completed before reading the target ADi register. (Check the IR bit in the ADIC register to see if A/D conversion is completed.)
- When operating in repeat mode or repeat sweep mode 0 or 1
Use the main clock for CPU clock directly without dividing it.

If A/D conversion is forcibly terminated while in progress by setting the ADST bit in the ADCON0 register to 0 (A/D conversion halted), the conversion result of the A/D converter is undefined. The contents of ADi register irrelevant to A/D conversion may also become undefined. If while A/D conversion is underway the ADST bit is set to 0 in a program, ignore the values of all ADi registers.

When setting the ADST bit to 0 in single sweep mode during A/D conversion and A/D conversion is aborted, disable the interrupt before setting the ADST bit to 0.

The applied intermediate potential may cause more increase in power consumption than other analog input pins (AN0 to AN3, AN0_0 to AN0_7, and AN2_0 to AN2_7), since the AN4 to AN7 are used with the K10 to K13.

23.11 CAN Module

23.11.1 Reading C0STR Register

The CAN module on the M16C/6N Group (M16C/6N5) updates the status of the C0STR register in a certain period. When the CPU and the CAN module access to the C0STR register at the same time, the CPU has the access priority; the access from the CAN module is disabled. Consequently, when the updating period of the CAN module matches the access period from the CPU, the status of the CAN module cannot be updated. (See **Figure 23.3 When Updating Period of CAN Module Matches Access Period from CPU.**)

Accordingly, be careful about the following points so that the access period from the CPU should not match the updating period of the CAN module:

- (a) There should be a wait time of 3fCAN or longer (see **Table 23.2 CAN Module Status Updating Period**) before the CPU reads the C0STR register. (See **Figure 23.4 With Wait Time of 3 fCAN before CPU Read.**)
- (b) When the CPU polls the C0STR register, the polling period must be 3 fCAN or longer. (See **Figure 23.5 When Polling Period of CPU is 3 fCAN or Longer.**)

Table 23.2 CAN Module Status Updating Period

3fCAN Period = 3 × XIN (Original Oscillation Period) × Division Value of CAN Clock (CCLK)	
(Example 1) Condition XIN 16 MHz CCLK: Divide-by-1	3 fCAN period = 3 × 62.5 ns × 1 = 187.5 ns
(Example 2) Condition XIN 16 MHz CCLK: Divide-by-2	3 fCAN period = 3 × 62.5 ns × 2 = 375 ns
(Example 3) Condition XIN 16 MHz CCLK: Divide-by-4	3 fCAN period = 3 × 62.5 ns × 4 = 750 ns
(Example 4) Condition XIN 16 MHz CCLK: Divide-by-8	3 fCAN period = 3 × 62.5 ns × 8 = 1.5 μs
(Example 5) Condition XIN 16 MHz CCLK: Divide-by-16	3 fCAN period = 3 × 62.5 ns × 16 = 3 μs

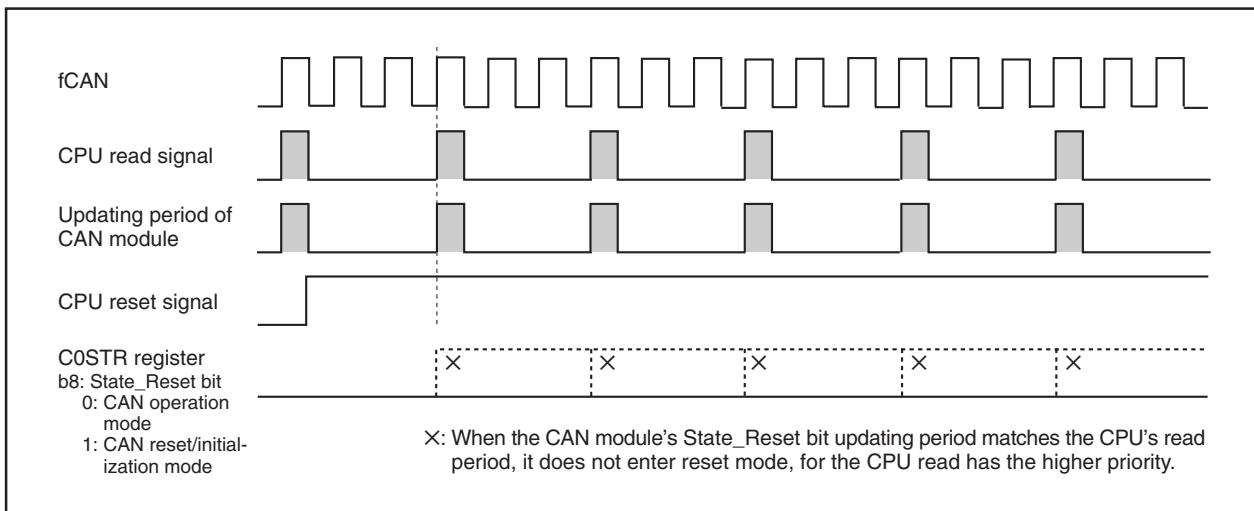


Figure 23.3 When Updating Period of CAN Module Matches Access Period from CPU

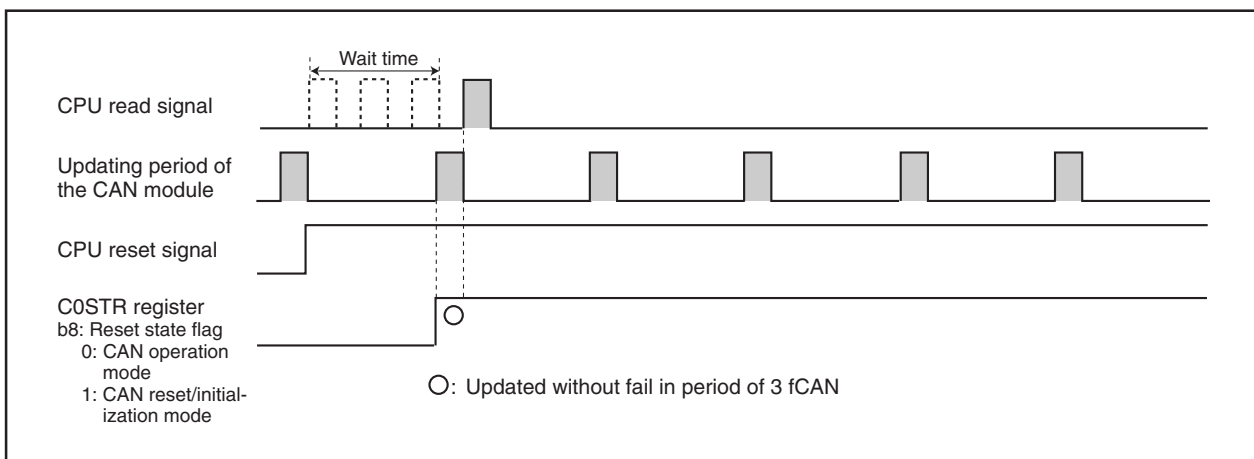


Figure 23.4 With a Wait Time of 3 fCAN Before CPU Read

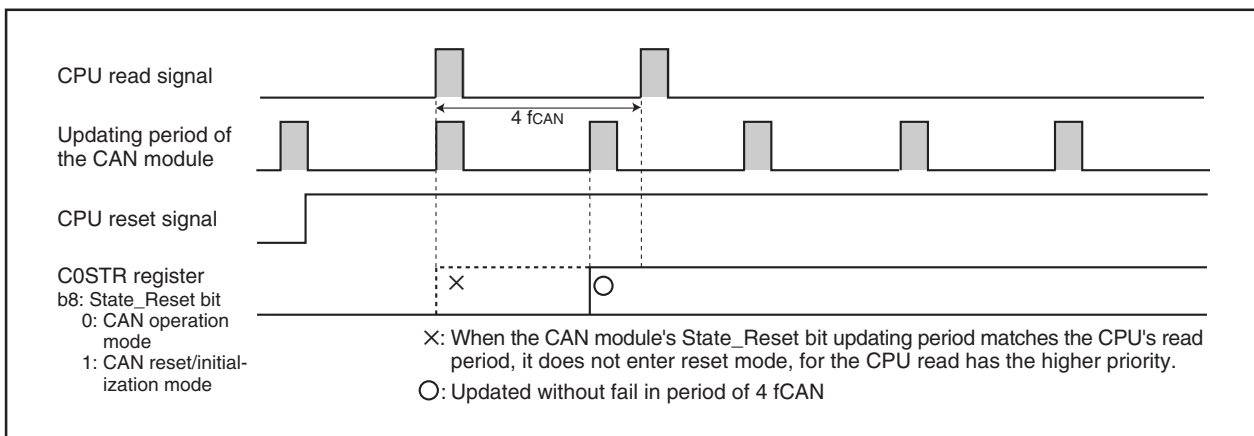


Figure 23.5 When Polling Period of CPU is 3 fCAN or Longer

23.11.2 Performing CAN Configuration

If the Reset bit in the COCTLR register is changed from 0 (operation mode) to 1 (reset/initialization mode) in order to place the CAN module from CAN operation mode into CAN reset/initialization mode, always be sure to check that the State_Reset bit in the C0STR register is set to 1 (reset mode).

Similarly, if the Reset bit is changed from 1 to 0 in order to place the CAN module from CAN reset/initialization mode into CAN operation mode, always be sure to check that the State_Reset bit is set to 0 (operation mode).

The procedure is described below.

To Place CAN Module from CAN Operation Mode into CAN Reset/Initialization Mode

- Change the Reset bit from 0 to 1
- Check that the State_Reset bit is set to 1

To Place CAN Module from CAN Reset/Initialization Mode into CAN Operation Mode

- Change the Reset bit from 1 to 0
- Check that the State_Reset bit is set to 0

23.11.3 Suggestions to Reduce Power Consumption

When not performing CAN communication, the operation mode of CAN transceiver should be set to “standby mode” or “sleep mode”.

When performing CAN communication, the power consumption in CAN transceiver in not performing CAN communication can be substantially reduced by controlling the operation mode pins of CAN transceiver.

Tables 23.3 and 23.4 show the Recommended Pin Connections.

Table 23.3 Recommended Pin Connections (In case of PCA82C250: Philips product)

	Standby Mode	High-speed Mode
Rs pin ⁽¹⁾	“H”	“L”
Power consumption in CAN transceiver ⁽²⁾	less than 170 μ A	less than 70 mA
CAN communication	impossible	possible
Connection		

NOTES:

1. The pin which controls the operation mode of CAN transceiver.
2. In case of Ta = 25 °C
3. Connect to enabled port to control CAN transceiver.

Table 23.4 Recommended Pin Connections (In case of PCA82C252: Philips product)

	Sleep Mode	Normal Operation Mode
STB pin ⁽¹⁾	“L”	“H”
EN pin ⁽¹⁾	“L”	“H”
Power consumption in CAN transceiver ⁽²⁾	less than 50 μ A	less than 35 mA
CAN communication	impossible	possible
Connection		

NOTES:

1. The pin which controls the operation mode of CAN transceiver.
2. Ta = 25 °C
3. Connect to enabled port to control CAN transceiver.

23.11.4 CAN Transceiver in Boot Mode

When programming the flash memory in boot mode via CAN bus, the operation mode of CAN transceiver should be set to “high-speed mode” or “normal operation mode”. If the operation mode is controlled by the MCU, CAN transceiver must be set the operation mode to “high-speed mode” or “normal operation mode” before programming the flash memory by changing the switch etc.

Tables 23.5 and 23.6 show the Pin Connections of CAN Transceiver.

Table 23.5 Pin Connections of CAN Transceiver (In case of PCA82C250: Philips product)

	Standby Mode	High-speed Mode
Rs pin ⁽¹⁾	“H”	“L”
CAN communication	impossible	possible
Connection		

NOTES:

1. The pin which controls the operation mode of CAN transceiver.
2. Connect to enabled port to control CAN transceiver.

Table 23.6 Pin Connections of CAN Transceiver (In case of PCA82C252: Philips product)

	Sleep Mode	Normal Operation Mode
STB pin ⁽¹⁾	“L”	“H”
EN pin ⁽¹⁾	“L”	“H”
CAN communication	impossible	possible
Connection		

NOTES:

1. The pin which controls the operation mode of CAN transceiver.
2. Connect to enabled port to control CAN transceiver.

23.12 Programmable I/O Ports

If a low-level signal is applied to the $\overline{\text{NMI}}$ pin when the IVPCR1 bit in the TB2SC register = 1 (three-phase output forcible cutoff by input on $\overline{\text{NMI}}$ pin enabled), pins P7_2 to P7_5, P8_0, and P8_1 go to a high-impedance state.

Setting the SM32 bit in the S3C register to 1 causes the P9_2 pin to go to a high-impedance state.

The input threshold voltage of pins differs between programmable I/O ports and peripheral functions. Therefore, if any pin is shared by a programmable I/O port and a peripheral function and the input level at this pin is outside the range of recommended operating conditions VIH and VIL (neither “high” nor “low”), the input level may be determined differently depending on which side—the programmable I/O port or the peripheral function—is currently selected.

Undefined values are read from bits P3_7 to P3_4, and PD3_7 to PD3_4 by reading registers P3 and PD3 when bits PM01 to PM00 in the PM0 register are set to 01b (memory expansion mode) or 11b (microprocessor mode) and setting the PM11 bit to 1.

Use the MOV instruction when rewriting registers P3 and PD3 (including the case that the size specifier is “.W” and registers P2 and PD2 are rewritten).

When bits PM01 to PM00 are rewritten, “L” is output from pins P3_7 to P3_4 during 0.5 cycles of the BCLK by setting bits PM01 to PM00 in the PM0 register to 01b (memory expansion mode) or 11b (microprocessor mode) from 00b (single-chip mode) after setting the PM11 bit to 1.

23.13 Electrical Characteristic Differences between Mask ROM and Flash Memory Version MCUs

Flash memory version and mask ROM version may have different characteristics, operating margin, noise tolerated dose, noise width dose in electrical characteristics due to internal ROM, different layout pattern, etc. When switching to the mask ROM version, conduct equivalent tests as system evaluation tests conducted in the flash memory version.

23.14 Mask ROM Version

When using the masked ROM version, write nothing to internal ROM area.

23.15 Flash Memory Version

23.15.1 Functions to Prevent Flash Memory from Rewriting

ID codes are stored in addresses 0FFFFDFh, 0FFFFE3h, 0FFFFEBh, 0FFFFEFh, 0FFFFF3h, 0FFFFF7h, and 0FFFFFBh. If wrong data are written to these addresses, the flash memory cannot be read or written in standard serial I/O mode and CAN I/O mode.

The ROMCP register is mapped in address 0FFFFFFh. If wrong data is written to this address, the flash memory cannot be read or written in parallel I/O mode.

In the flash memory version of MCU, these addresses are allocated to the vector addresses (H) of fixed vectors.

23.15.2 Stop Mode

When entering stop mode, execute the instruction which sets the CM10 bit to 1 (stop mode) after setting the FMR01 bit to 0 (CPU rewrite mode disabled) and disabling the DMA transfer.

23.15.3 Wait Mode

When entering wait mode, set the FMR01 bit in the FMR0 register to 0 (CPU rewrite mode disabled) before executing the WAIT instruction.

23.15.4 Low Power Dissipation Mode and On-Chip Oscillator Low Power Dissipation Mode

If the CM05 bit is set to 1 (main clock stopped), do not execute the following commands:

- Program
- Block erase
- Erase all unlocked blocks
- Lock bit program
- Read lock bit status

23.15.5 Writing Command and Data

Write commands and data to even addresses in the user ROM area.

23.15.6 Program Command

By writing xx40h in the first bus cycle and data to the write address in the second bus cycle, an auto-program operation (data program and verify) will start. The address value specified in the first bus cycle must be the same even address as the write address specified in the second bus cycle.

23.15.7 Lock Bit Program Command

By writing xx77h in the first bus cycle and xxD0h to the highest-order even address of a block in the second bus cycle, the lock bit for the specified block is set to 0. The address value specified in the first bus cycle must be the same highest-order even address of a block specified in the second bus cycle.

23.15.8 Operating Speed

Before entering CPU rewrite mode (EW0 or EW1 mode), set the CM11 bit in the CM1 register to 0 (main clock), select 10 MHz or less for CPU clock using the CM06 bit in the CM0 register and bits CM17 to CM16 in the CM1 register. Also, set the PM17 bit in the PM1 register to 1 (with wait state).

23.15.9 Prohibited Instructions

The following instructions cannot be used in EW0 mode because the CPU tries to read data in flash memory: the UND instruction, INTO instruction, JMPS instruction, JSRS instruction, and BRK instruction

23.15.10 Interrupts

EW0 Mode

To use interrupts having vectors in a relocatable vector table, the vectors must be relocated to the RAM area.

- The $\overline{\text{NMI}}$ and watchdog timer interrupts are available since registers FMR0 and FMR1 are forcibly reset when either interrupt request is generated. Allocate the jump addresses for each interrupt service routines to the fixed vector table. Flash memory rewrite operation is suspended when the $\overline{\text{NMI}}$ or watchdog timer interrupt request is generated. Execute the rewrite program again after exiting the interrupt routine.
- The address match interrupt is not available since the CPU tries to read data in the flash memory.

EW1 Mode

- Do not acknowledge any interrupts with vectors in the relocatable vector table or address match interrupt during auto-programming or auto-erasure.
- Do not use the watchdog timer interrupt.
- The $\overline{\text{NMI}}$ interrupt is available since registers FMR0 and FMR1 are forcibly reset when the interrupt request is generated. Allocate the jump address for the interrupt service routine to the fixed vector table. Flash memory rewrite operation is suspended when the $\overline{\text{NMI}}$ interrupt request is generated. Execute the rewrite program again after exiting the interrupt service routine.

23.15.11 How to Access

To set the FMR01, FMR02, or FMR11 bit to 1, write 1 after first setting the bit to 0. Do not generate an interrupt or a DMA transfer between the instruction to set the bit to 0 and the instruction to set the bit to 1. Set the bit while an “H” signal is applied to the $\overline{\text{NMI}}$ pin.

23.15.12 Rewriting in User ROM Area

EW0 Mode

If the supply voltage drops while rewriting the block where the rewrite control program is stored, the flash memory cannot be rewritten because the rewrite control program is not correctly rewritten. If this error occurs, rewrite the user ROM area while in standard serial I/O mode, parallel I/O mode, or CAN I/O mode.

EW1 Mode

Avoid rewriting any block in which the rewrite control program is stored.

23.15.13 DMA Transfer

In EW1 mode, do not perform a DMA transfer while the FMR00 bit in the FMR0 register is set to 0 (auto-programming or auto-erasure).

23.16 Flash Memory Programming Using Boot Program

When programming the on-chip flash memory using boot program, be careful about the pins state and connection as follows.

23.16.1 Programming Using Serial I/O Mode

CTX0 pin : This pin automatically outputs “H” level.

CRX0 pin : Connect to CAN transceiver or connect via resistor to VCC (pull-up)

Figure 23.6 shows the Pin Connection for Programming Using Serial I/O Mode.

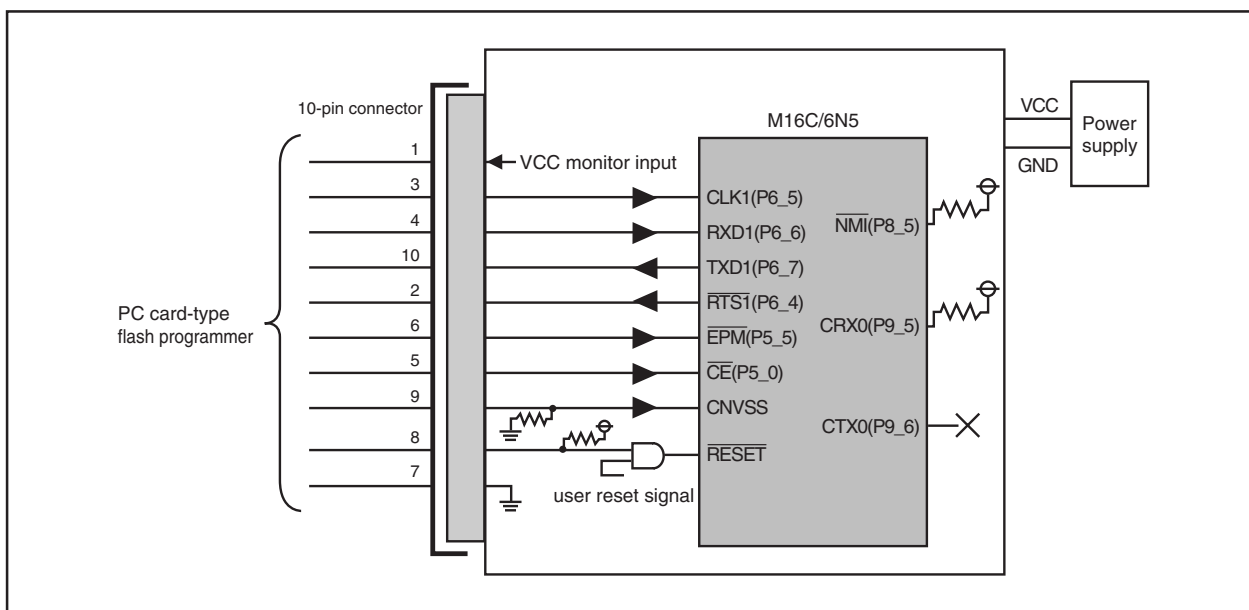


Figure 23.6 Pin Connection for Programming Using Serial I/O Mode

23.16.2 Programming Using CAN I/O Mode

RTS1 pin : This pin automatically outputs “H” and “L” level.

Figure 23.7 shows the Pin Connection for Programming Using CAN I/O Mode.

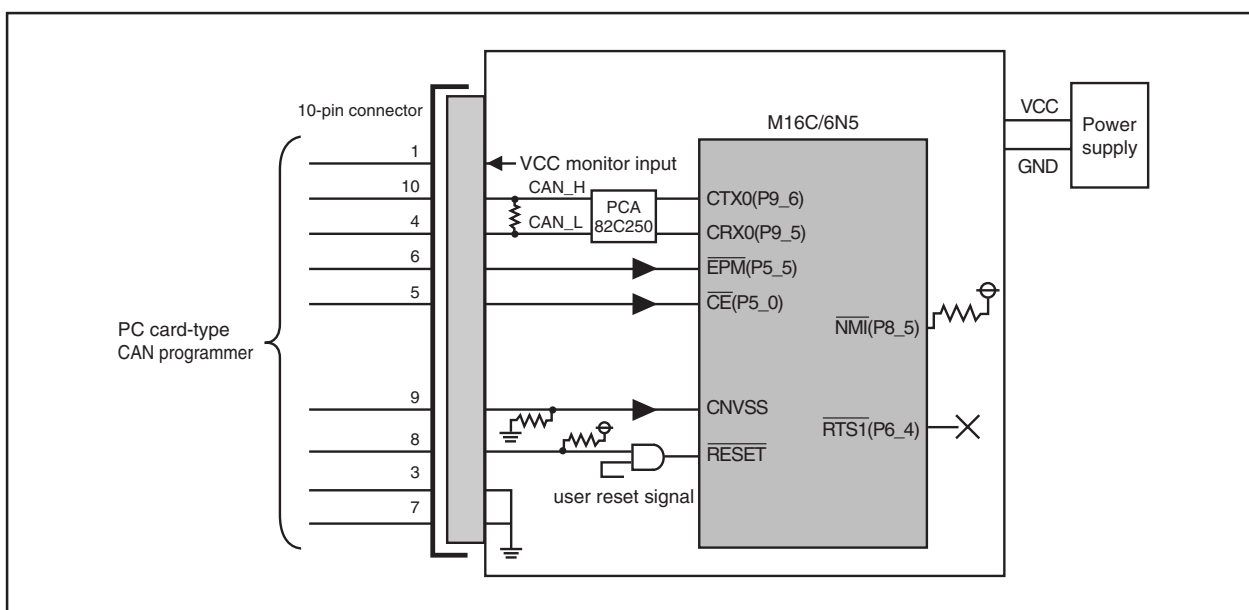


Figure 23.7 Pin Connection for Programming Using CAN I/O Mode

23.17 Noise

Connect a bypass capacitor (approximately 0.1 μF) across pins VCC1 and VSS, and pins VCC2 and VSS using the shortest and thicker possible wiring.

Figure 23.8 shows the Bypass Capacitor Connection.

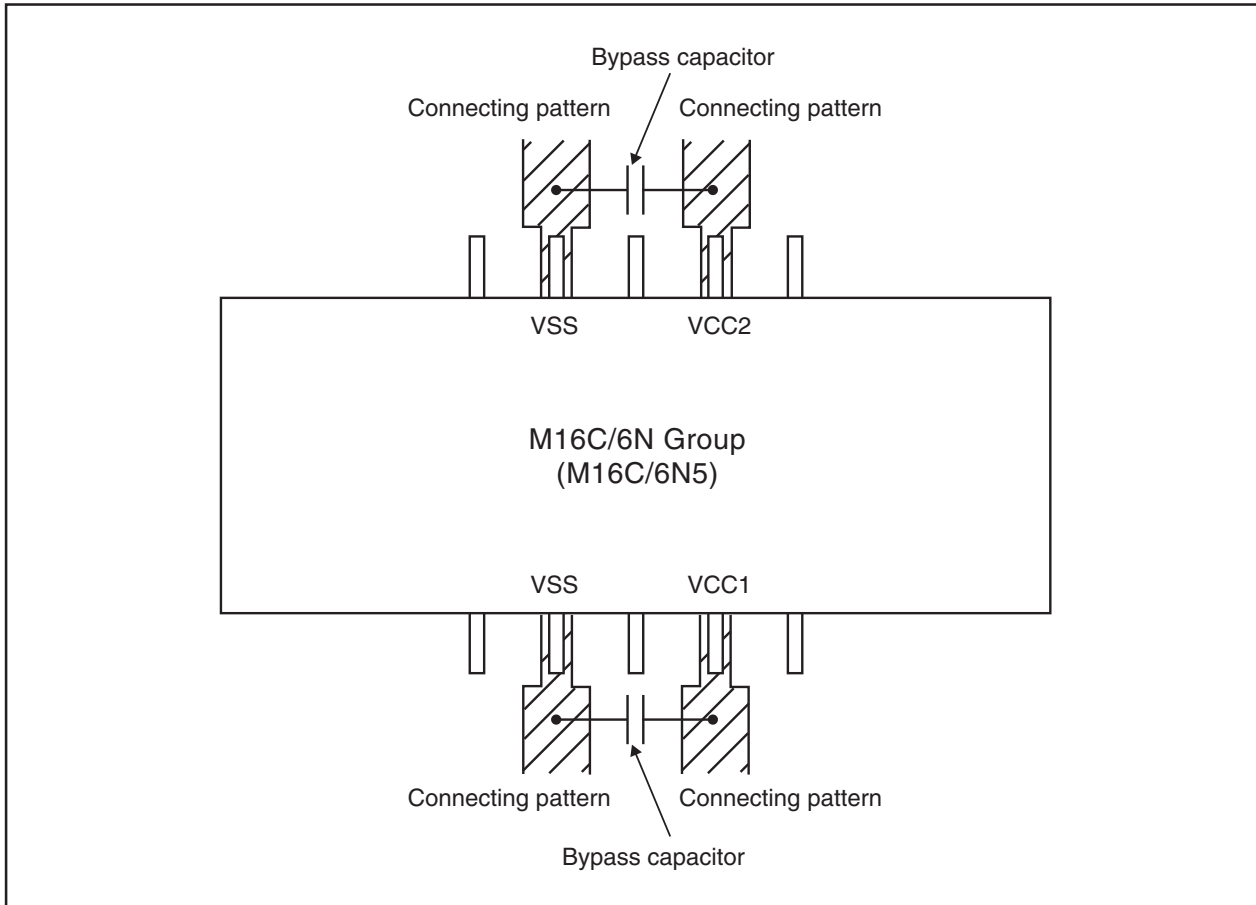
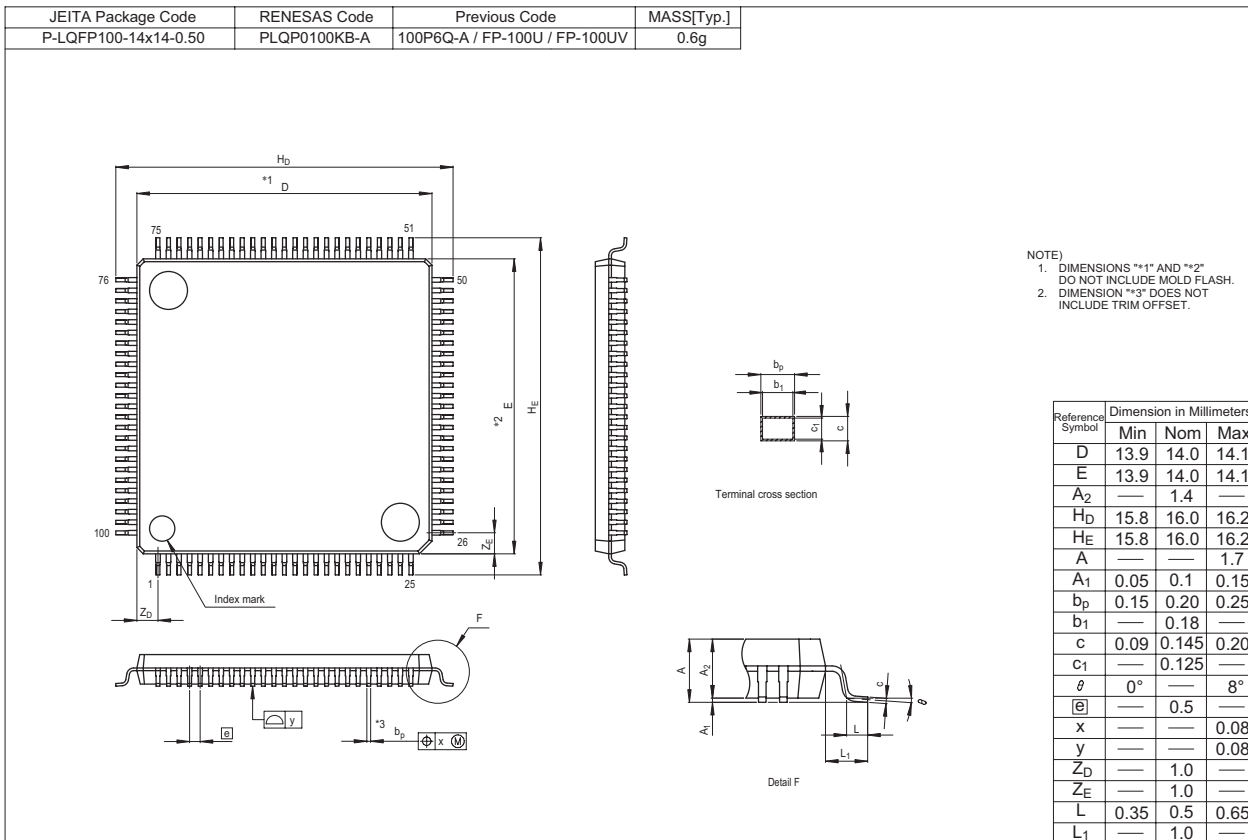
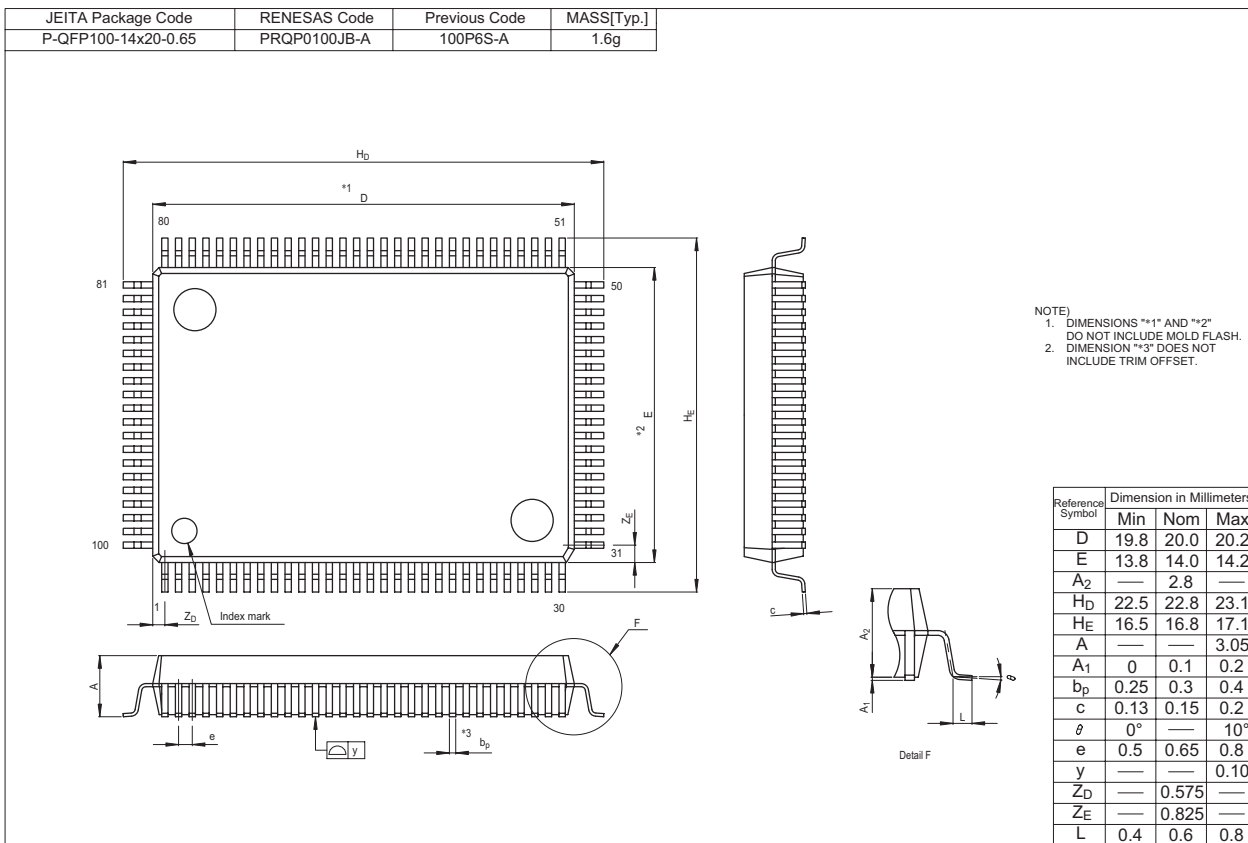


Figure 23.8 Bypass Capacitor Connection

Appendix 1. Package Dimensions



Register Index

A		DM0CON, DM1CON 93	T	
AD0 to AD7 191		DM0IC, DM1IC 75	TA0 103	
ADCON0 190,193,195,197,199,201		DM0SL 92	TA0IC 75	
ADCON1 190,193,195,197,199,201		DM1SL 93	TA0MR 103,106,108,113,115	
ADCON2 191		DTT 129	TA1 103,130	
ADIC 75			TA11 130	
AIER 87		F	TA1IC 75	
AIER2 87		FMR0 253	TA1MR 103,106,108,113,115,133	
		FMR1 253	TA2 103,130	
C			TA21 130	
C01ERRIC 75		I	TA2IC 75	
C01WKIC 75		ICTB2 131	TA2MR ... 103,106,108,110,113,115,133	
C0AFS 220		IDB0, IDB1 129	TA3 103	
C0CONR 219		IFSR0 84	TA3IC 75	
C0CTLR 215		IFSR1 84	TA3MR 103,106,108,110,113,115	
C0GMR 213		INT0IC to INT5IC 76	TA4 103,130	
C0ICR 218		INVC0 127	TA41 130	
C0IDR 218		INVC1 128	TA4IC 75	
C0LMAR 213			TA4MR ... 103,106,108,110,113,115,133	
C0LMBR 213		K	TABSR 104,119,132	
C0MCTL0 to C0MCTL15 214		KUPIC 75	TB0 118	
C0RECIC 75			TB0IC 75	
C0RECR 220		O	TB0MR 118,120,121,123	
C0SSTR 218		ONSF 105	TB1 118	
C0STR 217			TB1IC 75	
C0TECR 220		P	TB1MR 118,120,121,123	
C0TRMIC 75		P0 to P10 242	TB2 118,130	
C0TSR 220		PCLKR 51	TB2IC 75	
C1CTLR 216		PCR 244	TB2MR 118,120,121,123,133	
CAN0 Slot 0 to 15		PD0 to PD10 241	TB2SC 131	
: Time Stamp 211,212		PLC0 52	TB3 118	
: Data Field 211,212		PM0 31	TB3IC 75	
: Message Box 211,212		PM1 32	TB3MR 118,120,121,123	
CCLKR 51		PM2 52	TB4 118	
CM0 48		PRCR 69	TB4IC 75	
CM1 49		PUR0 to PUR2 243	TB4MR 118,120,121,123	
CM2 50			TB5 118	
CPSRF 105,119		R	TB5IC 75	
CRCD 207		RMAD0 to RMAD3 87	TB5MR 118,120,121,123	
CRCIN 207		ROMCP 250	TBSR 119	
CSE 42			TCR0, TCR1 94	
CSR 36		S	TRGSR 105,132	
		S0RIC to S2RIC 75		
D		S0TIC to S2TIC 75		
DA0, DA1 206		S3BRG 184	U	
DACON 206		S3C 184	U0BCNIC to U2BCNIC 75	
DAR0, DAR1 94		S3IC 76	U0BRG to U2BRG 140	
		S3TRR 184	U0C0 to U2C0 141	
		SAR0, SAR1 94	U0C1 to U2C1 142	

U0MR to U2MR	141
U0RB to U2RB	140
U0SMR to U2SMR	143
U0SMR2 to U2SMR2	144
U0SMR3 to U2SMR3	144
U0SMR4 to U2SMR4	145
U0TB to U2TB	140
UCON	143
UDF	104

W

WDC	89
WDTS	89

REVISION HISTORY

M16C/6N Group (M16C/6N5) Hardware Manual

Rev.	Date	Description	
		Page	Summary
1.00	May. 30, 2003	–	First edition issued
2.00	Nov. 10, 2004	–	<p>Revised edition issued</p> <p>* Words standardizes (on-chip oscillator)</p> <p>* 100P6Q-A (100-pin version) is added.</p> <p>* Usage Notes Reference Book is added to Chapter 23 Usage Precaution.</p> <p>* Revised parts and revised contents are as follows (except for change of chapter composition, change of a layout, and an expressional change).</p>
		1	1. Overview 3rd line: "and LQFP" is added.
		2	Table 1.1 Performance outline of M16C/6N Group (M16C/6N5) <ul style="list-style-type: none"> • Operation Mode is added. • Address Space is added. • Power Consumption is revised. • "LQFP" is added to Package.
		4	Table 1.2 Product List is revised. Figure 1.2 Type No., Memory Size, and Package: <ul style="list-style-type: none"> • "GP: Package 100P6Q-A" is added to Package type.
		5	Figure 1.3 Pin Configuration (Top View) (1): "ZP" is added.
		6	Figure 1.4 Pin Configuration (Top View) (2) is added. (100P6Q-A)
		8	Table 1.4 Pin Description (2): "ZP" is added to Timer A.
		12	<p>3. Memory</p> <ul style="list-style-type: none"> • 5th to 6th lines: The description about the flash memory version (block A) is added. <p>Figure 3.1 Memory Map</p> <ul style="list-style-type: none"> • Internal ROM (data area) is added. • NOTES 3, 4 are added and NOTE 5 is revised.
		13	Table 4.1 SFR Information (1) <ul style="list-style-type: none"> • The value of After Reset in PM1 register is revised. • The value of After Reset in CM2 register is revised.
		19	Table 4.7 SFR Information (7) <ul style="list-style-type: none"> • The value of After Reset in FMR0 register is revised.
		23	Table 4.11 SFR Information (11) <ul style="list-style-type: none"> • The value of After Reset in U0C1 register is revised. • The value of After Reset in U1C1 register is revised. • NOTE 1 is added.
		24	Table 4.12 SFR Information (12) <ul style="list-style-type: none"> • The value of After Reset in DA0, DA1 registers are revised.
		26	Figure 5.1 Example Reset Circuit: NOTE 1 is added.
		30	Figure 6.2 PM1 Register <ul style="list-style-type: none"> • The value of After Reset is revised. • NOTES 2, 6 are revised.
		32	Figure 6.5 Memory Map and CS Area in Memory Expansion Mode and Microprocessor Mode (2) <ul style="list-style-type: none"> • NOTE 1 is added.
		33	Table 7.1 Difference between Separate Bus and Multiplexed Bus is added.

REVISION HISTORY

M16C/6N Group (M16C/6N5) Hardware Manual

Rev.	Date	Description	
		Page	Summary
2.00	Nov. 10, 2004	34	Figure 7.1 CSR Register: NOTE 2 is revised.
		41	Table 7.8 Software Wait Related Bits and Bus Cycles <ul style="list-style-type: none"> • Bus Cycle of SFR (PM20 = 0) is revised from "2 BCLK cycles" to "3 BCLK cycles". • Bus Cycle of SFR (PM20 = 1) is revised from "3 BCLK cycles" to "2 BCLK cycles". • From bottom to 5th item in CSR Register: The value is revised from "1" to "0". • NOTE 5 is added.
		44	Table 8.1 Clock Generating Circuit Specifications <ul style="list-style-type: none"> • Clock Frequency in PLL Frequency Synthesizer: 16 MHz is added.
		45	Figure 8.1 Clock Generating Circuit: Block diagram (upper) is revised.
		46	Figure 8.2 CM0 Register <ul style="list-style-type: none"> • Bit name of CM02 is revised. • NOTE 6 (2) and NOTE 8 are revised.
		47	Figure 8.3 CM1 Register: NOTE 3 of CM11 bit is deleted.
		49	Figure 8.6 CCLKR Register: Location of NOTE 2 is changed and NOTE 3 is added.
		50	Figure 8.7 PM2 Register: NOTE 2 is revised. Figure 8.8 PLC0 Register: Function of 011b and 100b in PLC02 to PLC00 bits are revised from "Multiply by 6 and Multiply by 8" to "Do not set a value".
		53	8.1.4 PLL Clock 11th line: 16 MHz is added to PLL clock frequency. Table 8.2 Example for Setting PLL Clock Frequencies <ul style="list-style-type: none"> • PLL clock = 16 MHz is added. (8X2, 4X4) • 16 MHz is added to NOTE 1.
		54	Figure 8.11 Procedure to Use PLL Clock as CPU Clock Source <ul style="list-style-type: none"> • 4th frame: "(To select a 16 MHz or higher PLL clock)" is revised to "(When PLL clock >16 MHz)".
		56	8.4.1.2 PLL Operation Mode: 1st line <ul style="list-style-type: none"> • The main clock multiplied is revised from "by 2, 4, 6 or 8" to "by 2 or 4".
		57	Table 8.3 Setting Clock Related Bit and Modes <ul style="list-style-type: none"> • CM21 bit in Low Power Dissipation Mode: Value is revised from "-" to "0". • CM11 bit in Low-Speed Mode, Low Power Dissipation Mode, On-chip Oscillator Mode and On-chip Oscillator Low Power Dissipation Mode: Value is revised from "-" to "0".
		58	8.4.2 Wait Mode 4th line: "PLL clock" is deleted. Table 8.4 Pin Status During Wait Mode <ul style="list-style-type: none"> • Memory Expansion Mode, Microprocessor Mode in ALE: Value is revised from "H" to "L".
		59	Table 8.5 Interrupts to Exit Wait Mode <ul style="list-style-type: none"> • CAN0 Wake-up Interrupt: "in CAN sleep mode" is added.
		60	8.4.3 Stop Mode <ul style="list-style-type: none"> • CAN0 Wake-up interrupt: "(when CAN sleep mode is selected)" is added. Table 8.6 Pin Status in Stop Mode <ul style="list-style-type: none"> • Memory Expansion Mode, Microprocessor Mode in ALE: Value is revised from " H" to "indeterminate".
		62	Figure 8.12 State Transition to Stop Mode and Wait Mode <ul style="list-style-type: none"> • Figure is revised. • NOTE 3 is revised.

REVISION HISTORY

M16C/6N Group (M16C/6N5) Hardware Manual

Rev.	Date	Description	
		Page	Summary
2.00	Nov. 10, 2004	63	Figure 8.13 State Transition in Normal Operation Mode <ul style="list-style-type: none"> • Low-Speed and Low Power Dissipation Mode: "CM7 = 1" is revised to "CM7 = 0" (3 places). • NOTES 2, 6 are revised.
		66	Figure 8.14 Procedure to Switch Clock Source from On-chip Oscillator to Main Clock is revised.
		72	Table 10.2 Relocatable Vector Tables <ul style="list-style-type: none"> • Interrupt Source: "Software interrupt" is revised to "INT Instruction Interrupt"
		73	Figure 10.3 Interrupt Control Registers (1): NOTE 5 is added.
		74	Figure 10.4 Interrupt Control Registers (2) <ul style="list-style-type: none"> • NOTE 2 is added to INT5IC, S3IC/INT4IC • NOTE 6 is added.
		83	10.9 CAN0 Wake-up Interrupt is revised. Figure 10.13 CAN0 Wake-up Interrupt Block Diagram is revised.
		86	Figure 11.1 Watchdog Timer Block Diagram: "RESET" is revised to "Internal RESET signal".
		103	Figure 13.6 (upper and middle) ONSF Register, TRGSR Register: NOTE 2 is added.
		104	Table 13.1 Specifications in Timer Mode <ul style="list-style-type: none"> • Specification of Divide Ratio: "TAiMR register" is revised to "TAi register". • Specification of Select Function: "When not counting, the pin outputs a low" is revised to "When TAiS bit is set to "0" (stop counting), the pin outputs a low".
		105	Table 13.2 Specifications in Event Counter Mode (when not processing two-phase pulse signal) <ul style="list-style-type: none"> • Specification in Select Function: "When not counting, the pin outputs a low" is revised to "When TAiS bit is set to "0" (stop counting), the pin outputs a low".
		109	13.1.2.1 Counter Initialization by Two-Phase Pulse Signal Processing 4th line <ul style="list-style-type: none"> • "the INT2 pin" is revised to "the ZP pin". Figure 13.10 Two-phase Pulse (A phase and B phase) and Z Phase <ul style="list-style-type: none"> • "INT2 (Z phase)" is revised to "ZP".
		113	Figure 13.12 TA0MR to TA4MR Registers in PWM Mode <ul style="list-style-type: none"> • Bit name and Function in MR0 bit is revised from "Set to "1" in PWM mode" to "Pulse Output Function Select Bit ⁽³⁾". • NOTE 3 is added.
		118	Table 13.6 Specifications in Timer Mode <ul style="list-style-type: none"> • Specification in Divide Ratio: "TBiMR register" is revised to "TBi register".
		124	Figure 14.1 Three-Phase Motor Control Timer Function Block Diagram is revised.
		125	Figure 14.2 INVC0 Register is revised.
		126	Figure 14.3 INVC1 Register: Function of INV13 bit is revised.
		127	Figure 14.4 (upper) IDB0 and IDB1 Registers: (b7-b6) is revised. Figure 14.4 (lower) DTT Register: NOTE 2 is revised.
		129	Figure 14.6 (upper) ICTB2 Register <ul style="list-style-type: none"> • (b7-b4) is revised. • NOTE 3 is added.
		130	Figure 14.7 (upper) TRGSR Register: NOTE 2 is added.
		131	Figure 14.8 (upper) TA1MR, TA2MR and TA4MR Registers <ul style="list-style-type: none"> • Function of MR1 bit: "Has no effect" is revised to "Set to "0" ".

REVISION HISTORY

M16C/6N Group (M16C/6N5) Hardware Manual

Rev.	Date	Description	
		Page	Summary
2.00	Nov. 10, 2004	132	Figure 14.9 Triangular Wave Modulation Operation is revised.
		134	15.1 UARTi: "UART0, UART1" in Special mode 3 is deleted.
		135, 136	Figures 15.1 to 15.3 UART0 to 2 Block Diagram are revised.
		137	Figure 15.4 UARTi Transmit/Receive Unit is revised.
		139	Figure 15.6 (lower) U0C0 to U2C0 Registers: NOTES 3, 4 are revised.
		140	Figure 15.7 (upper) U0C1, U1C1 Registers <ul style="list-style-type: none"> • The value of After Reset is revised. • (b5-b4) is revised from "When read, their contents are "0" " to "When read, their contents are indeterminate". • NOTE 1 is added.
			Figure 15.7 (lower) U2C1 Register: NOTE 1 is added.
		148	15.1.1.1 Counter Measure for Communication Error Occurs is added.
		149	15.1.1.4 Continuous Receive Mode: first to 4th lines are added.
		151	15.1.1.7 CTS/RTS Function is added.
		152	Table 15.5 UART Mode Specifications: NOTE 3 is added.
		154	Table 15.7 I/O Pin Functions <ul style="list-style-type: none"> • Method of Selection in TXDi: "Output dummy data" is revised to "Output "H" ".
		156	15.1.2.1 Bit Rates and Table 15.9 Example of Bit Rates and Settings are added.
		157	15.1.2.2 Counter Measure for Communication Error Occurs is added.
		159	15.1.2.6 CTS/RTS Function is added.
		171	Table 15.15 Registers to Be Used and Settings in Special Mode 2 <ul style="list-style-type: none"> • "U2LCH" in UiC1 register is revised to "UiLCH".
		174	Table 15.16 Registers to Be Used and Settings in IE Mode <ul style="list-style-type: none"> • "UiRRM" in UiC1 register is revised to "U2RRM".
		176	Table 15.17 SIM Mode Specifications: NOTE 3 is added.
		184	Figure 15.39 Polarity of Transfer Clock is revised.
		200	16.2.4 External Operation Amplifier (Op-Amp) Connection Mode: 6th line <ul style="list-style-type: none"> • "Note that the ANEX0 and ANEX1 pins cannot be directly connected to each other." is deleted.
		201	16.2.6 Output Impedance of Sensor under A/D Conversion is added.
		204	Figure 17.2 (lower) DA0 and DA1 Registers: The value of After Reset are revised.
		211	Figure 19.4 Bit Mapping of Mask Registers in Byte Access: NOTES 1, 2 are added. Figure 19.5 Bit Mapping of Mask Registers in Word Access: NOTES 1, 2 are added.
		212	Figure 19.6 C0MCTLj Register: NOTE 2 is revised.
		213	Figure 19.7 C0CTLR Register (upper) <ul style="list-style-type: none"> • NOTE 1 (Rev.1.00) is deleted and NOTES 1, 2, 3 are added.
			Figure 19.7 C0CTLR Register (lower): NOTES 3, 4 are added.
		214	Figure 19.8 C1CTLR Register: NOTE 1 is revised.
		215	Figure 19.9 C0STR Register (upper): NOTE 2 is added.
219	19.5 Operational Modes <ul style="list-style-type: none"> • 1st line: "three operational modes" is revised to "four operational modes". • 5th line: "CAN Interface Sleep Mode" is added. 		

REVISION HISTORY

M16C/6N Group (M16C/6N5) Hardware Manual

Rev.	Date	Description	
		Page	Summary
2.00	Nov. 10, 2004	219	Figure 19.13 Transition Between Operational Modes is revised.
		220	19.5.1 CAN Reset/Initialization Mode is revised. 19.5.2 CAN Operation Mode is revised. 19.5.3 CAN Sleep Mode is revised. 19.5.4 CAN Interface Sleep Mode is added.
		221	19.5.5 Bus Off State is revised.
		227	19.12 Return from Bus Off Function is revised. 19.14 Listen-Only Mode • last line: "When listen-only mode is selected, do not request the transmission." is added.
		229	Figure 19.21 Timing of Receive Data Frame Sequence: Waveform of RecState bit is revised. 19.15.1 Reception: (4) (5) are revised.
		230	Figure 19.22 Timing of Transmit Sequence • The position of the number corresponding to the text is revised. 19.15.2 Transmission: (1) to (4) are revised.
		247	21.2.1 ROM Code Protect Function is revised. 21.2.2 ID Code Check Function is revised.
		248	Figure 21.2 ROMCP Register is revised.
		251	Figure 21.4 (upper) FMR0 Register: The value of After Reset is revised.
		252	21.3.3.1 FMR00 Bit is revised. 21.3.3.8 FMR11 Bit is revised. 21.3.3.9 FMR16 Bit is revised.
		253	Figure 21.5 Setting and Resetting of EW0 Mode is revised. Figure 21.6 Setting and Resetting of EW1 Mode: NOTE 3 is revised.
		254	Figure 21.7 Processing Before and After Low Power Dissipation Mode: NOTE 4 is added.
		256	21.3.4.12 Low Power Dissipation Mode and On-chip Oscillator Low Power Dissipation Mode is revised.
		257	Table 21.4 Software Commands: NOTE 2 is deleted.
		258	21.3.5.4 Program Command (40h) • From bottom to 3rd line: "read command" is revised to "read array command".
		261	Figure 21.11 Read Lock Bit Status Command • "Locked", "Not locked" are revised to "Block is locked", "Block is not locked".
		262	21.3.7.1 Sequencer Status (SR7 and FMR00 Bits) is revised.
		267	Table 21.7 Pin Functions for Standard Serial I/O Mode • "VCC" is revised to "VCC1", and "VCC2" is added. • VCC1, VCC2, VSS: VCC apply condition is added.
		269	Figure 21.14 Pin Connections for Standard Serial I/O Mode (2) is added.
		270	Figure 21.16 Circuit Application in Standard Serial I/O Mode 2: "RESET" is added.
		272	Table 21.8 Pin Functions for CAN I/O Mode • "VCC" is revised to "VCC1", and "VCC2" is added. • VCC1, VCC2, VSS: VCC apply condition is added.
		274	Figure 21.18 Pin Connections for CAN I/O Mode (2) is added.
		276	Table 21.9 Flash Memory Version Electrical Characteristics • Parameter is added and the value of some item is revised.

REVISION HISTORY

M16C/6N Group (M16C/6N5) Hardware Manual

Rev.	Date	Description	
		Page	Summary
2.00	Nov. 10, 2004	277	Table 22.1 Absolute Maximum Ratings <ul style="list-style-type: none"> • "Flash Program Erase" in Operating Ambient Temperature is added.
		279	Table 22.3 Recommended Operating Conditions (2) <ul style="list-style-type: none"> • Parameters of Power Supply Ripple are added. • NOTE 4 is revised. Figure 22.1 Timing of Voltage Fluctuation is added.
		280	Table 22.4 Electrical Characteristics (1): Hysteresis <ul style="list-style-type: none"> • "CLK4" is revised to "CLK3", and "TA2OUT" is revised to "TA0OUT". • Max. of Standard in RESET is revised from "2.2" to "2.5". • XIN is added.
		282	Table 22.6 A/D Conversion Characteristics: "Tolerance Level Impedance" is added.
		283	Table 22.8 Power Supply Circuit Timing Characteristics: " $t_{d(M-L)}$ " is deleted. Figure 22.2 Power Supply Circuit Timing Diagram is added.
		284	Table 22.10 Memory Expansion Mode and Microprocessor Mode: " $t_{d(BCLK-HLDA)}$ " is deleted.
		286	Table 22.21 Serial I/O: Min. of standard in $t_{su(D-C)}$ is revised from "30" to "70".
		287	Table 22.23 Memory Expansion Mode and Microprocessor Mode (for setting with no wait) <ul style="list-style-type: none"> • Max. of Standard in $t_{d(BCLK-ALE)}$ is revised from "25" to "15". • $t_{d(BCLK-HLDA)}$ is added.
		288	Table 22.24 Memory Expansion Mode and Microprocessor Mode (for 1- to 3-wait setting and external area access) <ul style="list-style-type: none"> • Max. of Standard in $t_{d(BCLK-ALE)}$ is revised from "25" to "15". • $t_{d(BCLK-HLDA)}$ is added.
		289	Table 22.25 Memory Expansion Mode and Microprocessor Mode (for 2- to 3-wait setting, external area access and multiplexed bus selection) <ul style="list-style-type: none"> • $t_{d(BCLK-HLDA)}$ is added. • Max. of Standard in $t_{d(BCLK-ALE)}$ is revised from "25" to "15".
		290	Figure 22.4 Timing Diagram (1): "XIN input" is added.
		292, 293	Figures 22.6 and 22.7 Timing Diagram (3) (4): "DB" in Read timing is revised to "DBi".
		294, 295	Figures 22.8 and 22.9 Timing Diagram (5) (6): "DB" in Write timing is revised to "DBi".
		297	Figure 22.11 Timing Diagram (8) <ul style="list-style-type: none"> • "ADi/DB" in Read/Write timing is revised to "ADi/DBi".
		298	23.1 External Bus: The description of the external ROM version is deleted.
		299	23.2 PLL Frequency Synthesizer is revised.
		300	23.3 Power Control <ul style="list-style-type: none"> • 2nd item is added. (Set the MR0 bit in the TAIMR register to ●●) • 4th item is revised. (Wait for main clock oscillation ●●) • Section of "External clock" is deleted.
		312	23.8.2.1 Special Mode 1 (I ² C Mode) is added.
		313	23.8.3 SI/O3 is added.
		315	23.9 A/D Converter: last item is added. (When setting the ADST bit to ●●)
318	23.10.2 Performing CAN Configuration is added.		
319	23.10.3 Suggestions to Reduce Power Consumption is added.		

REVISION HISTORY

M16C/6N Group (M16C/6N5) Hardware Manual

Rev.	Date	Description	
		Page	Summary
2.00	Nov. 10, 2004	323	23.13 Mask ROM Version is added.
		324	23.14.4 Low Power Dissipation Mode and On-Chip Oscillator Low Power Dissipation Mode is revised.
		326	23.15 Flash Memory Programming Using Boot Program is added.
		327	23.16 Noise is added.
		328	Appendix 1. Package Dimensions: 100P6Q-A is added.
2.10	Jun. 24, 2005	–	Revised edition issued * The contents of product are revised. (Normal-ver. is added.) * Revised parts and revised contents are as follows (except for expressional change).
		2	Table 1.1 Performance outline of M16C/6N Group (M16C/6N5) • Performance outline of Normal-ver. is added.
		4	Table 1.2 Product List is revised. (Normal-ver. is added.) Figure 1.2 Type No., Memory Size, and Package: • "(no): Normal-ver." is added to Characteristics.
		19	Figure 4.7 SFR Information (7): NOTE 1 is revised.
		48	Figure 8.4 CM2 Register: The value of After Reset is revised.
		63	Figure 8.13 State Transition in Normal Operation Mode: NOTE 7 is revised.
		212	Figure 19.6 C0MCTLj Register • RemActive bit: Function is revised. • RspLock bit: Bit Name is revised. • NOTE 2 is revised.
		213	Figure 19.7 C0CTLR Register (upper) • LoopBack bit: The expression of Function is revised. • BasicCAN bit: The expression of Function is revised. Figure 19.7 C0CTLR Register (lower) • TSPreScale bit: Bit Symbol is revised. • TSReset bit: The expression of Function is revised. • RetBusOff bit: The expression of Function is revised. • RXOnly bit: The expression of Function is revised.
		215	Figure 19.9 C0STR Register (upper): NOTE 1 is deleted. Figure 19.9 C0STR Register (lower) • State_LoopBack bit: The expression of Function is revised. • State_BasicCAN bit: The expression of Function is revised.
		218	Figure 19.12 C0RECR Register, C0TECR Register, C0TSR Register and C0AFS Register • C0RECR Register: NOTE 2 is deleted. • C0TECR Register: NOTE 1 is deleted. • C0TSR Register: NOTE 1 is deleted.
		229	19.15.1 Reception (1): "(refer to 19.15.2 Transmission)" is deleted.
		234	Figure 20.1 I/O Ports (1): "P7_0" in 4th figure is deleted.
		236	Figure 20.3 I/O Ports (3): "P7_0" is added to middle figure.
		238	Figure 20.6 I/O Pins: NOTE 1 is deleted.
		280	Table 22.4 Electrical Characteristics (1) • Measuring Condition of V _{OL} is revised from "L _{OL} = -200μA" to "L _{OL} = 200μA".

REVISION HISTORY

M16C/6N Group (M16C/6N5) Hardware Manual

Rev.	Date	Description	
		Page	Summary
2.10	Jun. 24, 2005	281	Table 22.5 Electrical Characteristics (2): Mask ROM (5th item) <ul style="list-style-type: none"> • “f(XCIN)” is changed to “f(BCLK)”.
		282	Table 22.6 A/D Conversion Characteristics: “Tolerance Level Impedance” is deleted.
2.30	Oct. 24, 2005	–	Revised edition issued * Electric Characteristics of Normal-ver. is added. * Revised parts and revised contents are as follows (except for expressional change).
		1	1.1 Applications: Comment of Normal-ver. is added.
		4	Table 1.2 Product List: NOTE 1 is added.
		7, 8	Tables 1.3 and 1.4 Pin Characteristics (1)(2) are added.
		9	Table 1.5 Pin Description (1) <ul style="list-style-type: none"> • 3.0 to 3.6 V (Normal-ver.) is added to Description of Power supply input.
		27 to 29	5. Reset: Layout is changed.
		29	5.5 Internal Space is added.
		39	7.2.6 RDY Signal: Last sentence is revised.
		46	Table 8.1 Clock Generating Circuit Specifications <ul style="list-style-type: none"> • Clock Frequency in PLL Frequency Synthesizer: 24 MHz ⁽¹⁾ is added. • NOTE 1 is added.
		52	Figure 8.8 PLC0 Register <ul style="list-style-type: none"> • PLC02 to PLC00 bits: Function of 011b is revised. • NOTE 4 is added.
		53	Figure 8.9 Examples of Main Clock Connection Circuit is revised.
		54	Figure 8.10 Examples of Sub Clock Connection Circuit is revised.
		55	8.1.4 PLL Clock <ul style="list-style-type: none"> • 9th line: The sentence (When the PLL ... to) is added. • 12th line: 24 MHz and NOTE 1 is added to PLL clock frequency. • NOTE 1 is added. Table 8.2 Example for Setting PLL Clock Frequencies <ul style="list-style-type: none"> • 24 MHz is added to PLL clock. • 24 MHz is added to NOTE 1. • NOTES 2 and 3 are added.
		58	8.4.1.2 PLL Operation Mode <ul style="list-style-type: none"> • 1st line: The main clock multiplied by “6” and NOTE 1 is added.
		59	8.4.1.6 On-chip Oscillator Mode: Last sentence (When the operation mode is ...) is added. 8.4.1.7 On-chip Oscillator Low Power Dissipation Mode: Last sentence (When the operation mode is ...) is deleted.
		62	Table 8.6 Interrupts to Stop Mode and Use Conditions is added.
		65	Figure 8.13 State Transition in Normal Operation Mode: NOTE 7 is deleted.
81	10.5.8 Returning from an Interrupt Routine: Last sentence (Register bank ...) is added. 10.5.9 Interrupt Priority: First sentence (If two or more...) is revised. 10.5.10 Interrupt Priority Resolution Circuit: First sentence (The interrupt priority level ...) is revised.		
84	Figure 10.11 IFSR1 Register (upper): NOTE 2 is revised.		

REVISION HISTORY

M16C/6N Group (M16C/6N5) Hardware Manual

Rev.	Date	Description	
		Page	Summary
2.30	Oct. 24, 2005	91	Table 12.1 DMAC Specifications: DMA transfer Cycles is added.
		95	12.1.3 Effect of Software Wait: 3rd to 9th lines is moved from next section of 12.1.4.
		115	Figure 13.12 TA0MR to TA4MR Registers in PWM Mode: b2 is revised from "1" to "(blank)".
		126	Figure 14.1 Three-Phase Motor Control Timer Function Block Diagram is revised.
		127	Figure 14.2 INVC0 Register: NOTES 5 and 6 are revised.
		140	Figure 15.5 U0BRG to U2BRG Registers (lower): NOTE 3 is added.
		141	Figure 15.6 U0C0 to U2C0 Registers (lower): NOTE 5 is added.
		158	Table 15.9 Example of Bit Rates and Settings: 24 MHz and NOTE 1 is added.
		184	Figure 15.37 S3C Register (upper): NOTE 5 is added. Figure 15.37 S3BRG Register (middle): NOTE 3 is added.
		188	Table 16.1 A/D Converter Performance • Performance of Integral Nonlinearity Error: "When AVCC = VREF = 3.3 V" is added.
		189	Figure 16.1 A/D Converter Block Diagram • ADGSEL1 to ADGSEL0 (right/lower) is revised from "10b" to "11b".
		203	16.2.6 Output Impedance of Sensor under A/D Conversion • 10th line: f(XIN) is revised to f(ϕ AD).
		204	Figure 16.10 Analog Input Pin and External Sensor Equivalent Circuit • fAD is revised to ϕ AD.
		205	Figure 17.1 D/A Converter Block Diagram is revised.
		206	Figure 17.2 DA0 and DA1 Registers: Setting Range is added. Figure 17.3 D/A Converter Equivalent Circuit: NOTE 2 is added.
		208	Figure 18.3 CRC Calculation: Details of CRC operation is revised.
		220	Figure 19.12 C0TECR Register (2nd register): NOTE 1 is added.
		225	Table 19.2 Examples of Bit-rate: 24 MHz and NOTE 2 is added.
		243	Figure 20.9 PUR1 Register (middle): Value of After Reset is revised.
		248	Figure 21.1 Flash Memory Block Diagram is revised.
		250	Figure 21.2 ROMCP Register is revised.
		251	Table 21.3 EW0 Mode and EW1 Mode: NOTE 1 is revised.
		252	21.3.2 EW1 Mode: Last sentence (When an erase/program ...) is added.
		254	21.3.3.4 FMSTP Bit • 8th line: Procedure to change the FMSTP bit setting (1) to (4) are added.
		257	Figure 21.7 Processing Before and After Low Power Dissipation Mode or On-chip Oscillator Low Power Dissipation Mode • Title, First and second frames (left) and top of right: "on-chip oscillator low power dissipation mode" is added.
		259	21.3.4.11 Stop Mode is revised. 21.3.4.12 Low Power Dissipation Mode and On-chip Oscillator Low Power Dissipation Mode is partly revised.
		262	21.3.5.5 Block Erase Command: Last sentence (Also execute ...) is added. Figure 21.9 Block Erase Command: NOTES 2 and 3 are added.
		268	Figure 21.12 Full Status Check and Handling Procedure for Each Error • Erase error: (4) is added.

REVISION HISTORY

M16C/6N Group (M16C/6N5) Hardware Manual

Rev.	Date	Description	
		Page	Summary
2.30	Oct. 24, 2005	270	Table 21.7 Pin Functions for Standard Serial I/O Mode <ul style="list-style-type: none"> • Description of VCC1, VCC2, VSS is revised. • Description of P8_4 is revised. • NOTE 1 is revised. • NOTE 2 is added.
		273	Figures 21.15 and 21.16 Circuit Application in Serial I/O Mode 1/2 <ul style="list-style-type: none"> • “VCC1” and “VCC2” are added.
		275	Table 21.8 Pin Functions for CAN I/O Mode <ul style="list-style-type: none"> • Description of VCC1, VCC2, VSS is revised. • Description of P8_4 is revised. • NOTE 1 is added.
		278	Figure 21.19 Circuit Application in CAN I/O Mode: “VCC1” and “VCC2” are added.
		279	Table 21.9 Flash Memory Version Electrical Characteristics <ul style="list-style-type: none"> • Measuring condition is revised in word program time and block erase time.
		280	21.7.2 Electrical Characteristics (Normal-ver.) is added.
		302 to 337	22.2 Electrical Characteristics (Normal-ver.) is added.
		340	23.3 Power Control: 3rd and 4th items (When entering wait mode ... / When entering stop mode ...) are revised.
		355	Figure 23.2 Use of Capacitors to Reduce Noise is partly revised.
		356	23.9 A/D Converter: Last item (The applied intermediate ...) is added.
		362	23.11 Programmable I/O Ports: 4th and 5th items (Indeterminate values ... / When the PM01 ...) are added.
		365	23.14.2 Stop Mode is revised.
			23.14.4 Low Power Dissipation Mode and On-Chip Oscillator Low Power Dissipation Mode is partly revised.
2.40	Apr.14, 2006	–	Revised edition issued * Revised parts and revised contents are as follows (except for expressional change).
		4	Table 1.2 Product Information: Note 2 is added.
		22	Table 4.8 SFR Information (8) <ul style="list-style-type: none"> • The value of After Reset in IDB0 register is revised. • The value of After Reset in IDB1 register is revised.
		64	Figure 8.12 State Transition to Stop Mode and wait Mode is revised.
		95	12.1.3 Effect of Software Wait: 3rd to 9th lines (Figure 12.5 shows ... required.) is moved to next section of 12.1.4.
		106	Figure 13.7 Registers TA0MR to TA4MR in Timer Mode: Note 2 is added.
		113	Figure 13.11 Registers TA0MR to TA4MR in One-shot Timer Mode: Note 3 is added.
		115	Figure 13.12 Registers TA0MR to TA4MR in PWM Mode: Note 4 is added.
		120	Figure 13.18 Registers TB0MR to TB5MR in Timer Mode: Note 1 is added.
		123	Figure 13.20 Registers TA0MR to TA4MR in Pulse Period and Pulse Width Measurement Mode: Note 2 is added.
128	Figure 14.3 INVC1 Register: Note 6 is added.		

REVISION HISTORY

M16C/6N Group (M16C/6N5) Hardware Manual

Rev.	Date	Description	
		Page	Summary
2.40	Apr.14, 2006	129	Figure 14.4 Registers IDB0 and IDB1 (upper): The value of After Reset is revised.
		133	Figure 14.8 Registers TA1MR, TA2MR, TA4MR (upper): Note 1 is added. Figure 14.8 TB2MR Register (lower): Note 1 is added.
		137, 138	Figures 15.1 to 15.3 are revised.
		140	Figure 15.5 Registers U0RB to U2RB (middle): Note 3 is added.
		141	Figure 15.6 Registers U0C0 to U2C0 (lower): Note 6 is added.
		146	Table 15.1 Clock Synchronous Serial I/O Mode Specifications <ul style="list-style-type: none"> • Transfer clock: "fj/2(n+1)" is revised to "fj/(2(n+1))". • Note 3 is revised.
		149	Figure 15.11 Transmit and Receive Operation is revised.
		154	Table 15.5 UART Mode Specifications <ul style="list-style-type: none"> • Transfer clock: "fj/16(n+1)" is revised to "fj/(16(n+1))" and "fEXT/16(n+1)" is revised to "fEXT/(16(n+1))". • Note 2 is revised.
		157	Figure 15.17 Transmit Operation is revised.
		158	Table 15.9 Example of Bit Rates and Settings: "Actual Time" is revised to "Bit Rate".
		162	Table 15.10 I ² C Mode Specifications <ul style="list-style-type: none"> • Transfer clock: "fj/2(n+1)" is revised to "fj/(2(n+1))".
		164	Table 15.11 Registers to Be Used and Settings in I ² C Mode: Note 3 is added.
		171	Table 15.14 Special Mode 2 Specifications <ul style="list-style-type: none"> • Transfer clock: "fj/2(n+1)" is revised to "fj/(2(n+1))".
		178	Table 15.17 SIM Mode Specifications <ul style="list-style-type: none"> • Transfer clock: "fj/16(n+1)" is revised to "fj/(16(n+1))" and "fEXT/16(n+1)" is revised to "fEXT/(16(n+1))".
		180	Figure 15.32 Transmit and Receive Timing in SIM Mode is revised.
		182	15.1.6.2 Format is revised.
		184	Figure 15.37 S3C Register (upper): Note 6 is added.
		185	Table 15.19 SI/O3 Specifications <ul style="list-style-type: none"> • Transfer clock: "fj/2(n+1)" is revised to "fj/(2(n+1))".
		186	Figure 15.38 SI/O3 Operation Timing: Cycle and Note 1 is revised. (1.5 -> 0.5 to 1.0)
		187	15.2.3 Functions for Setting SOUT3 Initial Value: 2nd item (However...) is added.
		206	Figure 17.3 D/A Converter Equivalent Circuit is revised.
		215	Figure 19.7 C0CTLR Register (upper): NOTE 4 is added.
		220	Figure 19.12 C0TSR Register (3rd register): Note 1 is added.
		221	Figure 19.13 Transition between Operational Modes is revised.
		222	19.5.3 CAN Sleep Mode <ul style="list-style-type: none"> • 1st item: "and Reset bit to 0" is deleted.
		225	Table 19.2 Examples of Bit-rate is revised.
		245	Table 20.2 Unassigned Pin Handling in Memory expansion Mode and Microprocessor Mode <ul style="list-style-type: none"> • Pin Name: "P0 to P7" is revised to "P6, P7".
		284	Table 22.4 Electrical Characteristics (1): Hysteresis XIN is deleted.
		307	Table 22.32 Electrical Characteristics (1): Hysteresis XIN is deleted.

REVISION HISTORY

M16C/6N Group (M16C/6N5) Hardware Manual

Rev.	Date	Description	
		Page	Summary
2.40	Apr.14, 2006	323 338 341 342 356	Table 22.51 Electrical Characteristics: Hysteresis XIN is deleted. 23.1 SFR is added. 23.4 Power Control <ul style="list-style-type: none"> • 4th item: Notes when entering stop mode is revised. • 5th item: Notes is added. 23.10 A/D Converter <ul style="list-style-type: none"> • 1st item: "After stopping ..." is added.

M16C/6N Group (M16C/6N5) Hardware Manual

**Publication Data : Rev.1.00 May 30, 2003
Rev.2.40 Apr 14, 2006**

**Published by : Sales Strategic Planning Div.
Renesas Technology Corp.**

M16C/6N Group (M16C/6N5) Hardware Manual



Renesas Electronics Corporation

1753, Shimonumabe, Nakahara-ku, Kawasaki-shi, Kanagawa 211-8668 Japan

REJ09B0011-0240