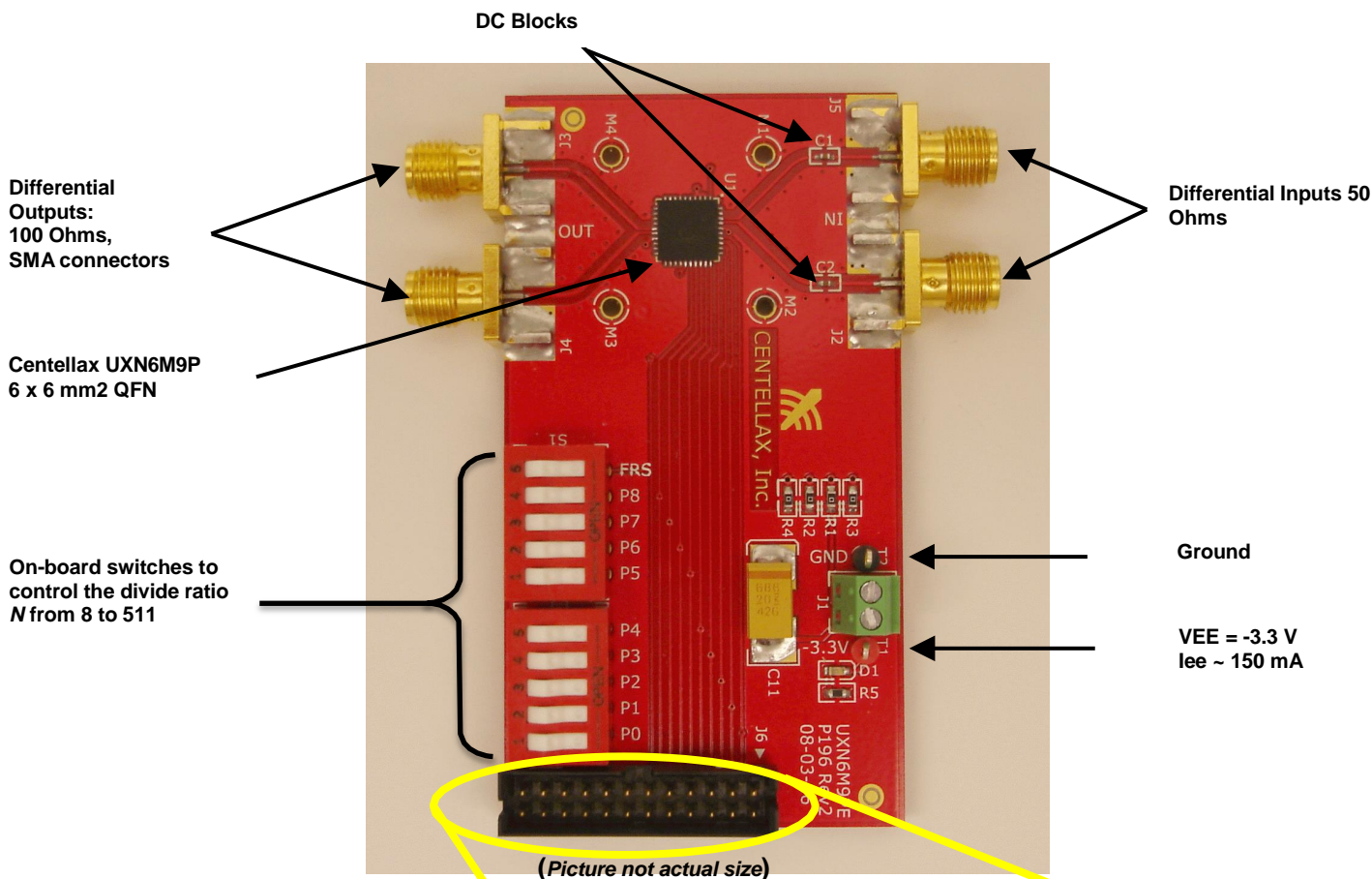


# UXN6M9PE Eval Board

The divide ratio  $N$  is given by the following formula:

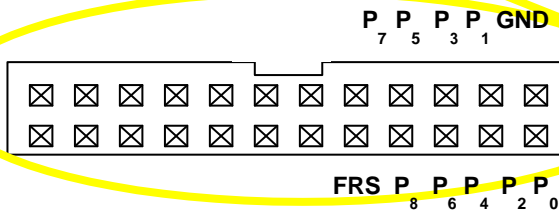
$$N = \sum_{k=0}^8 P^k \cdot 2^k = P^0 + P^1 \cdot 2 + P^2 \cdot 2^2 + P^3 \cdot 2^3 + \dots + P^8 \cdot 2^8$$

Where  $P_k = 0$  (Low) or 1 (High); valid for  $N = 8, 9 \dots 511$



### Dimensions

With connectors: 2.306" x 2.865" (58.57 mm x 72.79 mm)  
 Without connectors: 1.546" x 2.865" (39.28 mm x 72.79 mm)



(All other pins are not used.)

**Note 1:** Terminate un-used output in single-ended applications

**Note 2:** High = 0 V; closed Low = -3.3 V; open

**Note 3:** When using the parallel programming interface control, all on-board switches must be kept in the 'open' position. 'Open' corresponds to logic 'Low' or 0. Refer to the datasheet for logic level specs.

**Note 4:** Set FRS=High for  $F_{in} > 6$  GHz



**Microsemi Corporate Headquarters**  
One Enterprise, Aliso Viejo CA 92656 USA  
Within the USA: +1 (800) 713-4113  
Outside the USA: +1 (949) 380-6100  
Sales: +1 (949) 380-6136  
Fax: +1 (949) 215-4996  
E-mail: [sales.support@microsemi.com](mailto:sales.support@microsemi.com)

Microsemi Corporation (Nasdaq: MSCC) offers a comprehensive portfolio of semiconductor and system solutions for communications, defense and security, aerospace, and industrial markets. Products include high-performance and radiation-hardened analog mixed-signal integrated circuits, FPGAs, SoCs, and ASICs; power management products; timing and synchronization devices and precise time solutions, setting the world's standard for time; voice processing devices; RF solutions; discrete components; security technologies and scalable anti-tamper products; Power-over-Ethernet ICs and midspans; as well as custom design capabilities and services. Microsemi is headquartered in Aliso Viejo, Calif. and has approximately 3,400 employees globally. Learn more at [www.microsemi.com](http://www.microsemi.com).

© 2014 Microsemi Corporation. All rights reserved. Microsemi and the Microsemi logo are trademarks of Microsemi Corporation. All other trademarks and service marks are the property of their respective owners.