

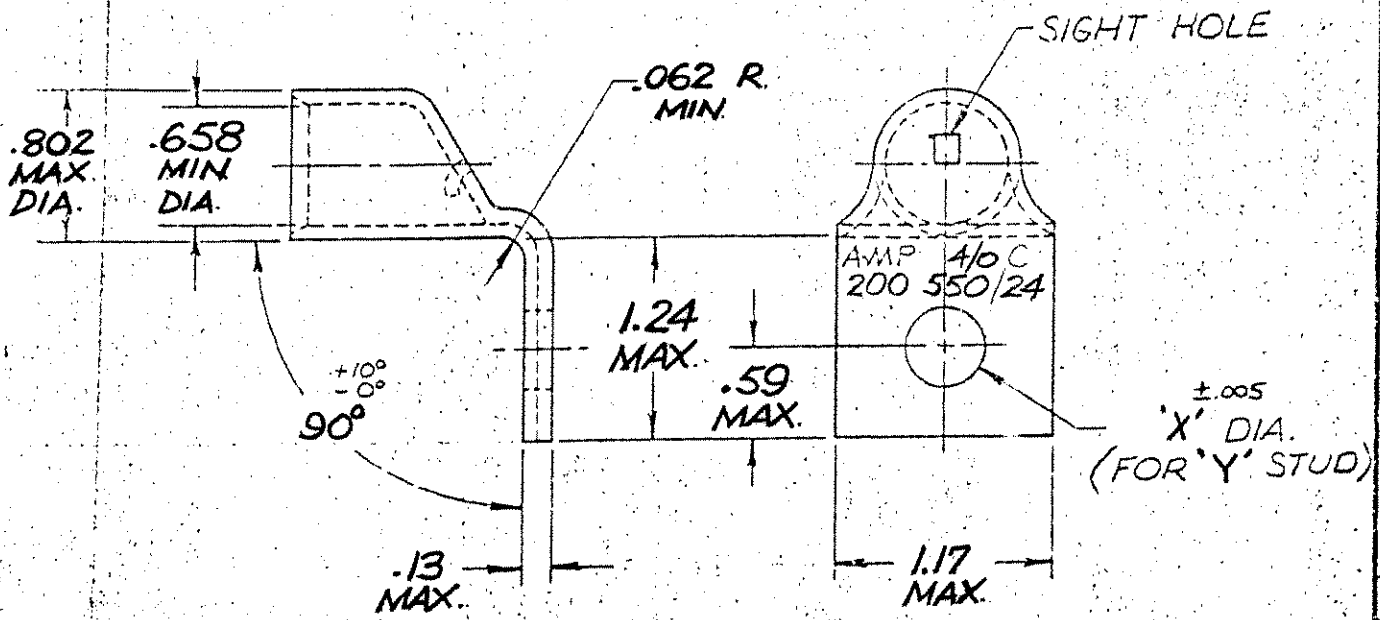
© COPYRIGHT 1975 BY AMP INCORPORATED, HARRISBURG, PA. ALL INTERNATIONAL RIGHTS RESERVED. AMP INCORPORATED PRODUCTS COVERED BY U.S. AND FOREIGN PATENTS AND PATENTS PENDING.

REVISIONS				
LTR	DESCRIPTION	DATE	APPROVED	P/F
D	REDESIGNED PER NPS 76-1627	5/11/77	AMW	-1-
A	REL -4 S2-20011	11/22/72	DKS	-1-
B	OBS -1 PER G-193	3/16/78	DKS	-1-
C	REACTIVATE PER G-5920	5/19/72	DKS	-1-
D	REACT PER 0720-0142-94	8/5/74	DKS	-1-
E	OBS -1 PER 0720-0964-96	6/96	DKS WTV	-1-
F	REV PER 063A-0561-01	10/02	DKS/MS	-1-


UNPUBLISHED AND NOT TO BE REPRODUCED OR TRANSMITTED IN ANY FORM OR BY ANY MEANS WITHOUT WRITTEN PERMISSION OF AMP INCORPORATED.

S

54664



	1/2	.515	54664-4
OBSOLETE	3/8	.390	54664-1
	'Y'	'X'	PART NO

UNLESS OTHERWISE SPECIFIED DIMENSIONS ARE IN INCHES. TOLERANCES ON: DECIMALS ± .01 ANGLES ± 5°	CONTRACT NO	 AMP INCORPORATED Harrisburg, Pa.
	DRI: <i>Don W. Miller</i> 6/22/77 CHK: <i>Don W. Miller</i> 6/23/77	
MATERIAL	APPD	WIRE TERMINAL AMPOWER - BENT 90° WIRE SIZE - 4/0
COPPER (ASTM B-75)	APPD	SIZE
FINISH	DESIGN APPD	CODE IDENT NO
TIN PLATE (MIL-T-10727)	OTHER APPD	DRAWING NO
		54664
		SCALE NTS
		SHEET