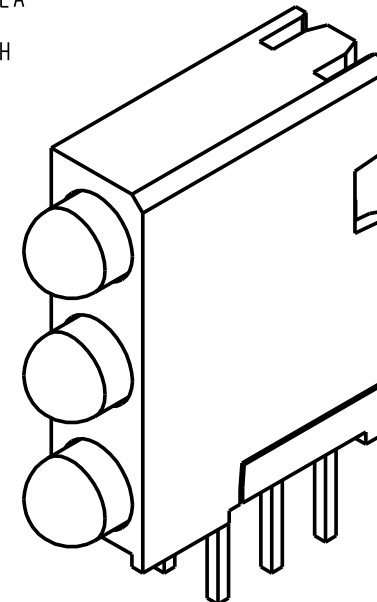
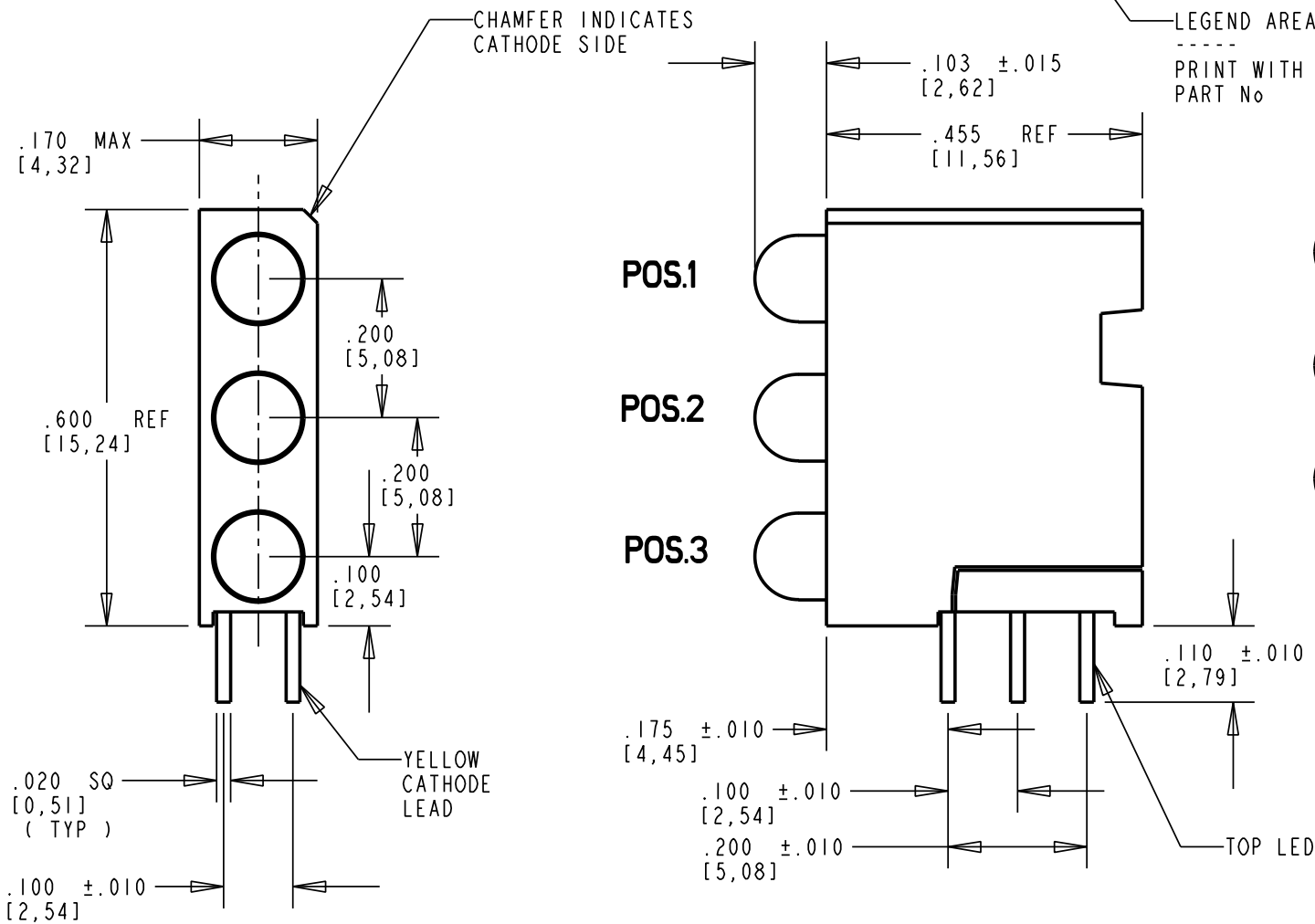
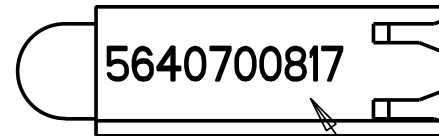
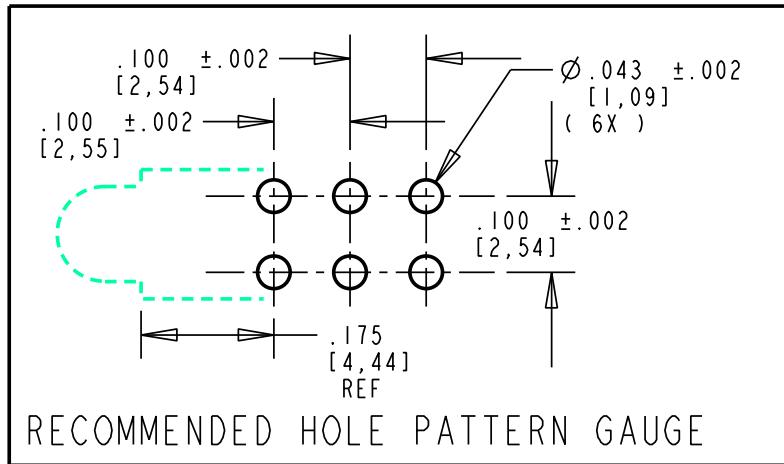


PART NUMBER and LEGEND	LED COLOR		
	POSITION 1	POSITION 2	POSITION 3
564-0700-817	YELLOW / GREEN	YELLOW / GREEN	YELLOW / GREEN

REV	ECN NO	REVISIONS	DRN	CKD	APP	DATE
A		NEW RELEASE	JMC			

NOTES:

- 1- LEADS TO FIT INTO HOLES SPACED AS PER HOLE PATTERN GAUGE
- 2- LEADS TO BE FREE OF DEFORMATION AFTER BENDING AND CUTTING
- 3- LED LEAD DIMENSIONS SHOWN ARE MEASURED AT HOUSING EXIT
- 4- PIN NUMBERS FOR REFERENCE ONLY. DESIGNATION NON-EXISTENT ON PARTS
- 5- DIALIGHT PART NUMBER: 564-0700-817



CHARACTERISTICS	COLOR	MIN	TYP	MAX	UNITS	TEST CONDITIONS
LUMINOUS INTENSITY	YELLOW	2.5	4.3		mcd	I F = 10 mA
	GREEN	2.5	6.3			
FORWARD VOLTAGE	YELLOW		2.1	2.8	V	I F = 20 mA
	GREEN		2.1	2.8		
VIEWING ANGLE 2 θ 1/2	YELLOW		80		DEG.	
	GREEN		80			
PEAK WAVELENGTH	YELLOW		585		nm	
	GREEN		565			
DOMINANT WAVELENGTH	YELLOW (Y3)	585		589	nm	
	YELLOW (Y2)	583		587		
	GREEN		569			

	YELLOW	GREEN	UNITS
POWER DISSIPATION	60	100	mW
CONTINUOUS FORWARD CURRENT	20	30	mA
PEAK FORWARD CURRENT	80	120	mA
DERATE LINEARLY FROM 50 °C	.25	.4	mA/°C
SOLDERING TEMPERATURE, 5 SEC., 1/16" FROM BODY	260		°C
OPERATING TEMPERATURE	-55 TO +100		°C
STORAGE TEMPERATURE	-55 TO +100		°C

THIS DRAWING AND THE CONTENTS HEREIN ARE CONFIDENTIAL AND THE SOLE PROPERTY OF DIALIGHT. REPRODUCTION OF THIS DRAWING OR CONSTRUCTION OF ANY PARTS WITHIN THIS DRAWING ARE FORBIDDEN WITHOUT THE WRITTEN CONSENT OF DIALIGHT.

SCALE: 4:1 ALL DIM'S IN: INCHES (MM)	DRAWING NUMBER C-17208	REV A
TOLERANCES: UNLESS OTHERWISE SPECIFIED FRACTIONS: ±1/64 DECIMALS (.XX): ±.02 DECIMALS (.XXX): ±.015 DECIMALS (.XXXX): ±.0005 ANGLES: ±3°	TITLE BI-COLOR 3X1 CBI BLOCK	MATERIAL
FINISH:		
FSCM 83330	1501 ROUTE 34 SOUTH FARMINGDALE, NJ 07727	
SHEET 1 OF 1 FAMILY TABLE:		

