

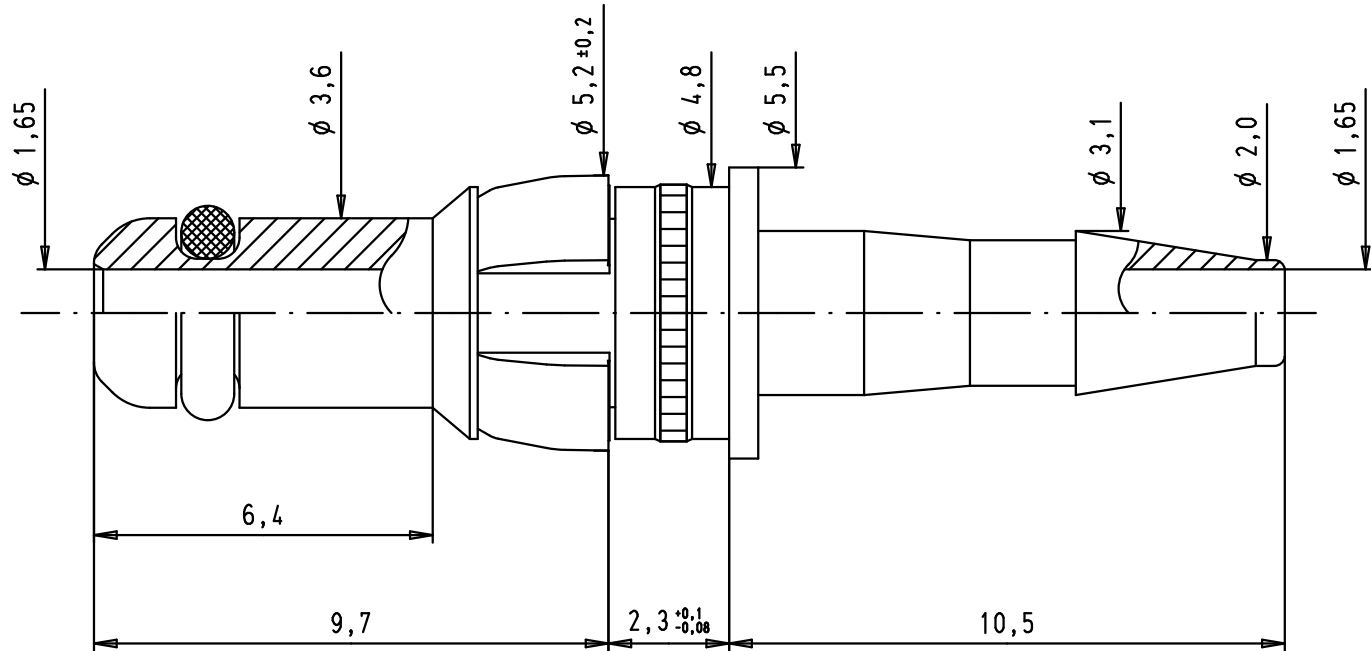
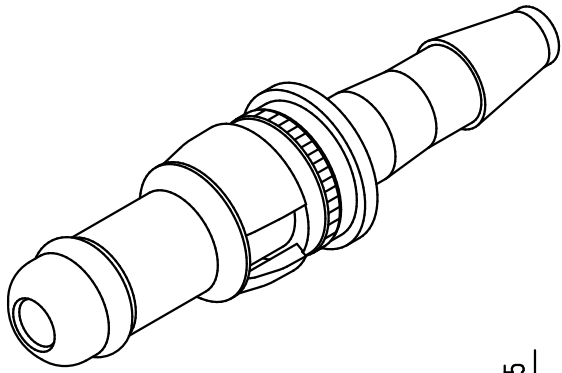
5



4

3

2

1



				Dot.	Name	 All Dim. in mm Orig. Size DIN A 4	Straight male pneumatic contact for 2,6 mm inner diameter compressed air tube	Moßstab/ Scale
			Detail.	25/04/07	PK			7:1
			Insp.					
			Stand.					
	35404	21/11/08	PK	HARTING EURL F-95972 Paris			TB 09 69 287 0061	Blatt/ Page
	33985	25/04/07	PK					1 / 1
	Mod.	Dot.	Name					Sub.

D

C

B

A