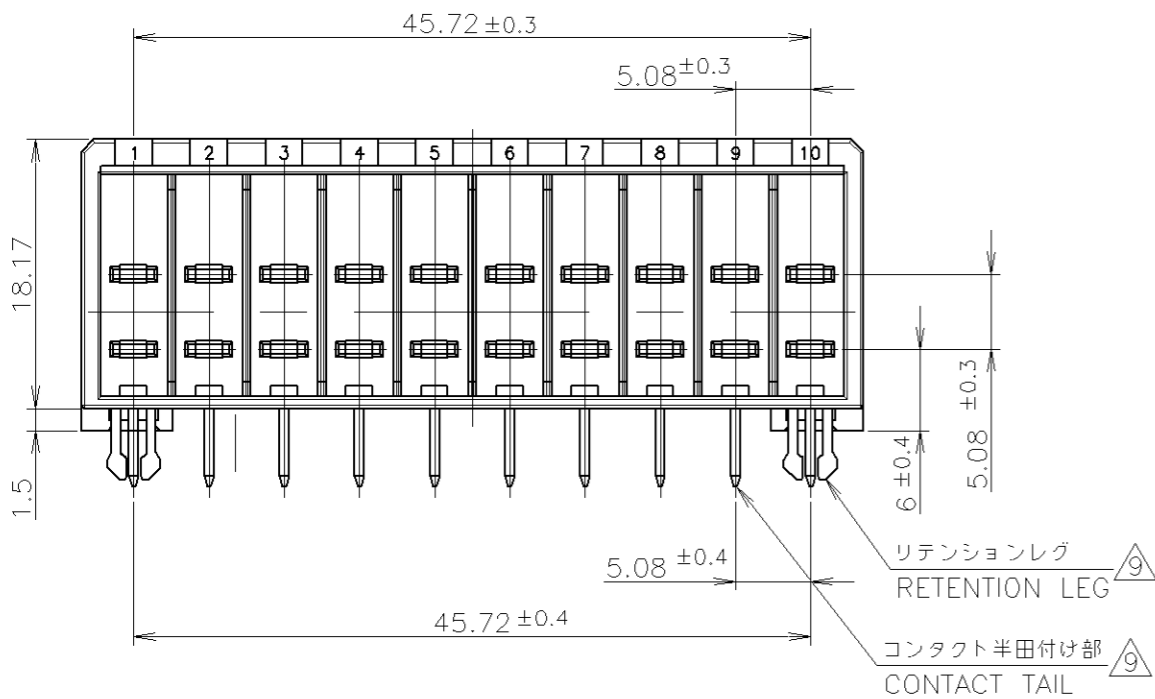
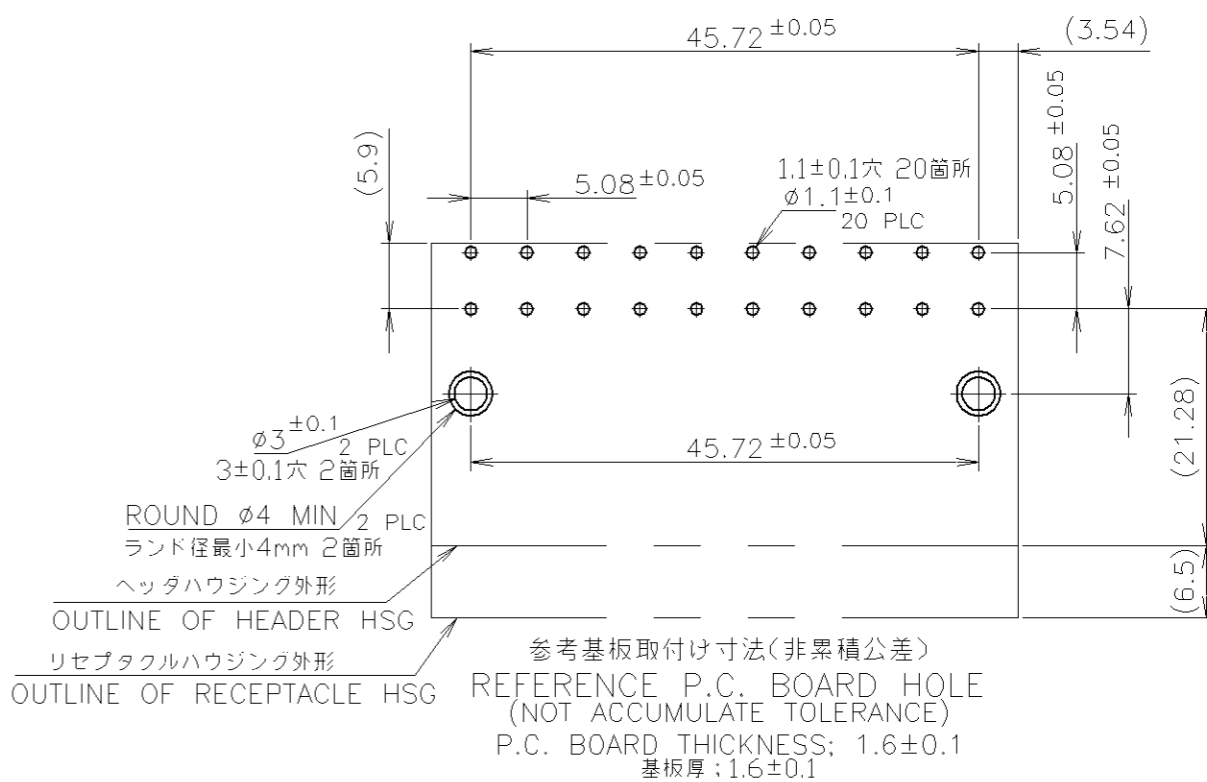
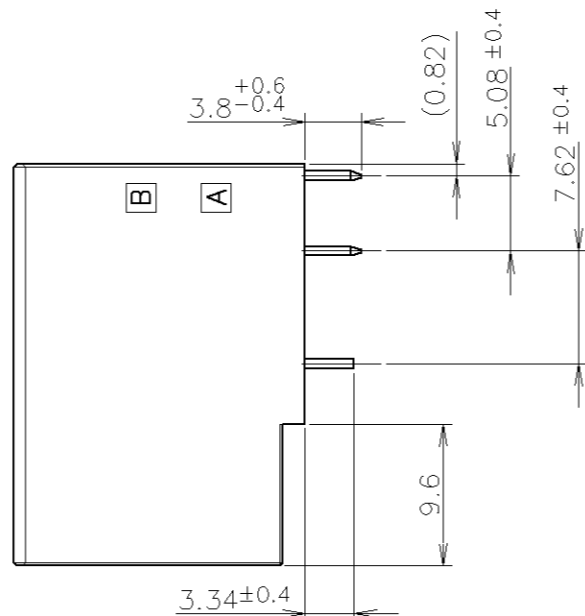
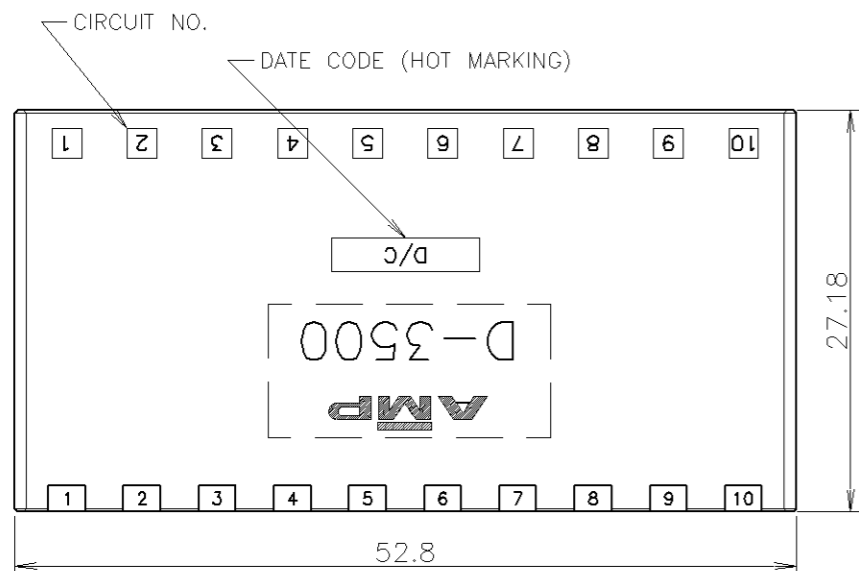
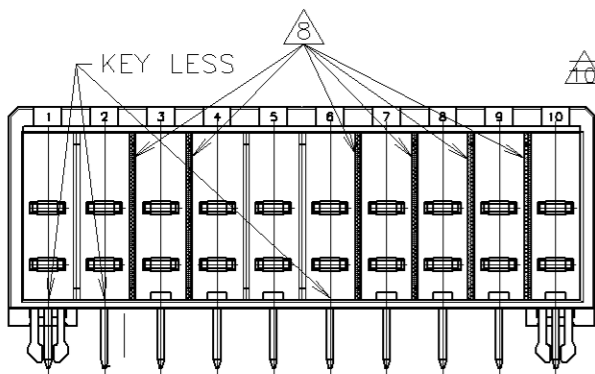


THIS DRAWING IS UNPUBLISHED. RELEASED FOR PUBLICATION MAR .1992.
 © COPYRIGHT 1992 By - ALL RIGHTS RESERVED.

LOC	DIST	REVISIONS					
J		P	LTR	DESCRIPTION	DATE	DWN	APVD
		G3		REVISED PER ECR-11-024209	30NOV11	H.U	N.Y



- | | |
|---------------------------------------------------------------------|---------------------------------------------------------------------------|
| 1 材料; 熱可塑性ポリエステル樹脂(ガラス入り)
色; 黒 | 1 MATERIAL; GLASS FIELD THERMO PLASTIC, POLYESTER.
COLOR; BLACK |
| 2 製品規格; 108-5349 | 2 PRODUCT SPEC; 108-5349 |
| 3 製品認定報告書; 501-5013 | 3 QUALIFICATION TEST REPORT; 501-5013 |
| △4 接触部仕上; ニッケル下地0.38 μMIN.金めっき | △4 FINISH (CONTACT AREA); 0.38u MIN. GOLD PLT. OVER NICKEL. |
| △5 接触部仕上; ニッケル下地0.76 μMIN.金めっき | △5 FINISH (CONTACT AREA); 0.76u MIN. GOLD PLT. OVER NICKEL. |
| △6 接触部仕上; ニッケル下地2.0 μMIN.すすめっき | △6 FINISH (CONTACT); 2.0u MIN. TIN PLT. OVER NICKEL. |
| △7 レグおよび脚部仕上; ニッケル下地半田めっき | △7 FINISH (RETENTION LEG AND CONTACT TAIL);
TIN-LEAD-PLT. OVER NICKEL. |
| △8 6箇所マーキング、白 | △8 6 PLACES MARKING, WHITE |
| △9 レグおよび脚部仕上; ニッケル下地すすめっき | △9 FINISH (RETENTION LEG AND CONTACT TAIL); TIN PLT. OVER NICKEL. |
| △10 OBSOLETE PARTS: OBSOLETE CIS STREAMLINING PER D.RENAUD/D.SINISI | |



FINISH	型番	マーキング
△9 △4	3-175365-2	△8
△9 △6	175365-5	
△9 △5	175365-3	
△9 △4	175365-2	

3-175365-2 のみ
 ONLY 3-175365-2

GENERAL TOLERANCE
 一般公差

10 ≥ : ±0.2
 30 ≥ > 10: ±0.25
 100 ≥ > 30: ±0.3
 ANGLES: ±3°

THIS DRAWING IS A CONTROLLED DOCUMENT.		DWN 18MAR1992 T.YONEBAYASHI		TE Connectivity	
DIMENSIONS: 単位: 耗 mm		CHK 07APR1992 S.MANABE			
TOLERANCES UNLESS OTHERWISE SPECIFIED: 一般公差		APVD 07APR1992 S.MANABE		NAME 名称	
0 PLC ±- 1 PLC ±- 2 PLC ±- 3 PLC ±- 4 PLC ±- ANGLES ±-		PRODUCT SPEC 製品規格		DYNAMIC D-3500 20 POS HDR ASSY	
MATERIAL 材料		APPLICATION SPEC 取付適用規格		SIZE CAGE CODE DRAWING NO 番号	
SEE NOTE 注記参照		WEIGHT		A3 00779 C-175365	
		CUSTOMER DRAWING		RESTRICTED TO	
		SCALE 尺度 2:1		SHEET 1 OF 1 REV G3	