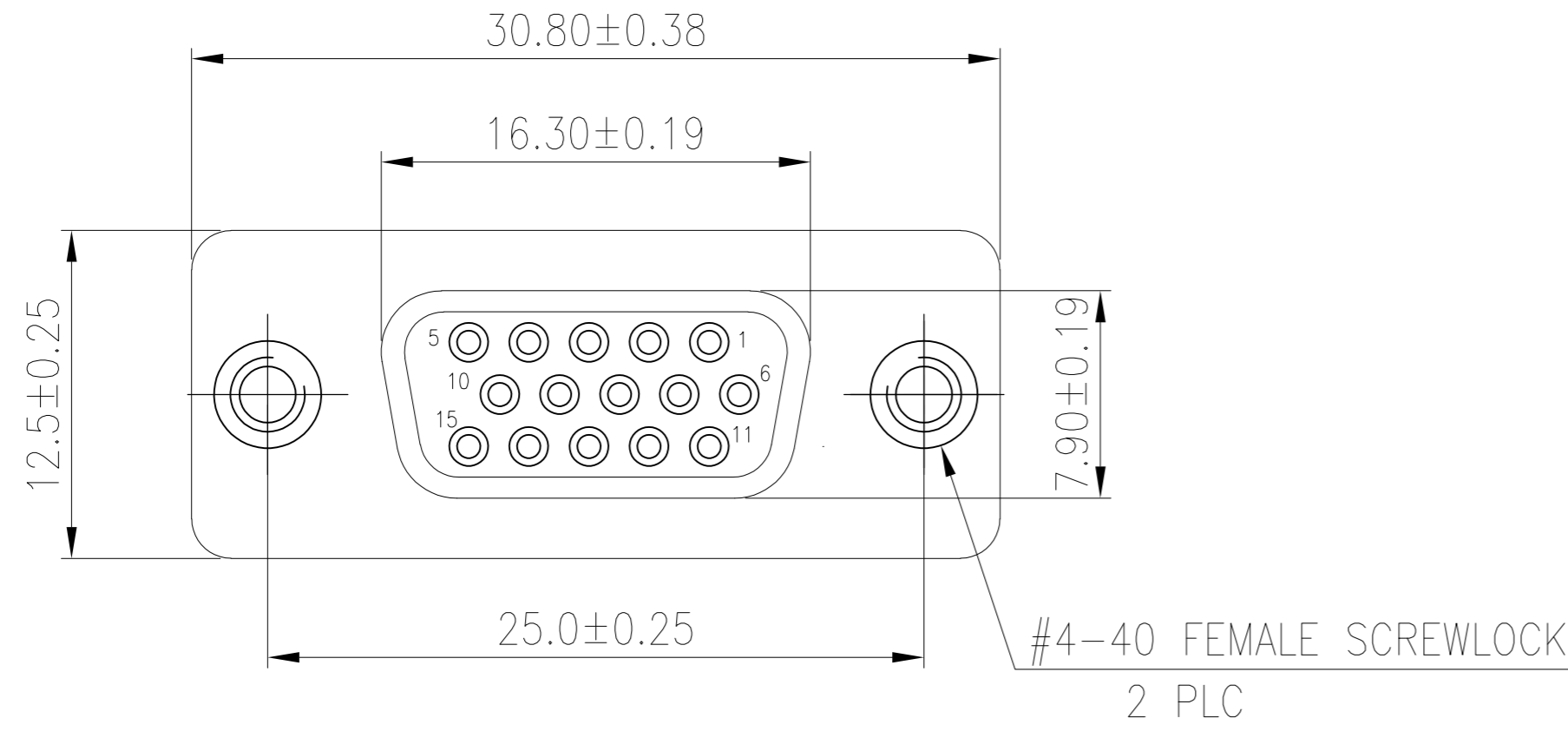
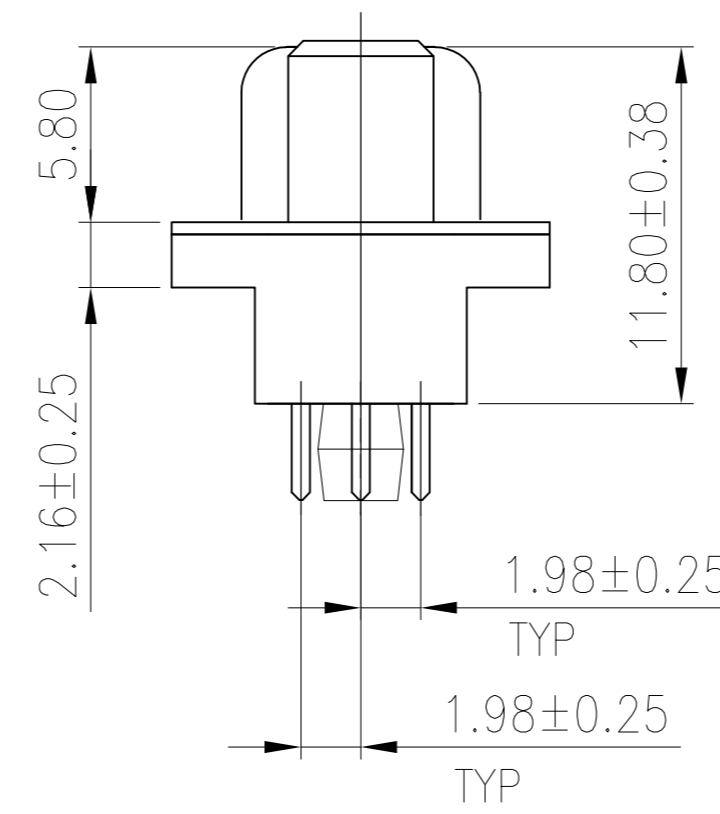
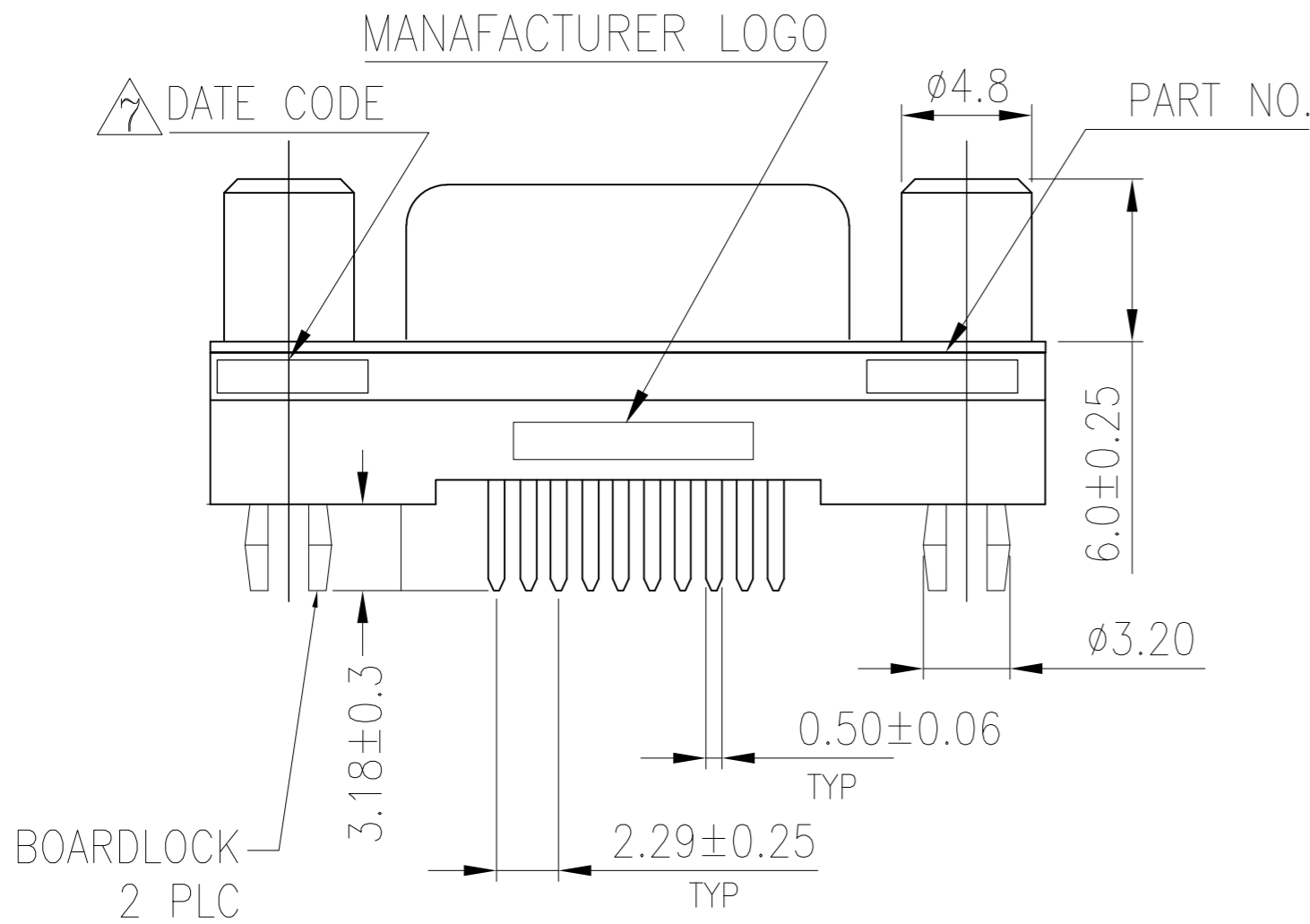


THIS DRAWING IS UNPUBLISHED. RELEASED FOR PUBLICATION  
© COPYRIGHT - By - ALL RIGHTS RESERVED.

LOC	DIST	REVISIONS					
		P	LTR	DESCRIPTION	DATE	DWN	APVD
GP	00	B1		REVISED PER ECO-11-005033	24MAR11	RK	HMR

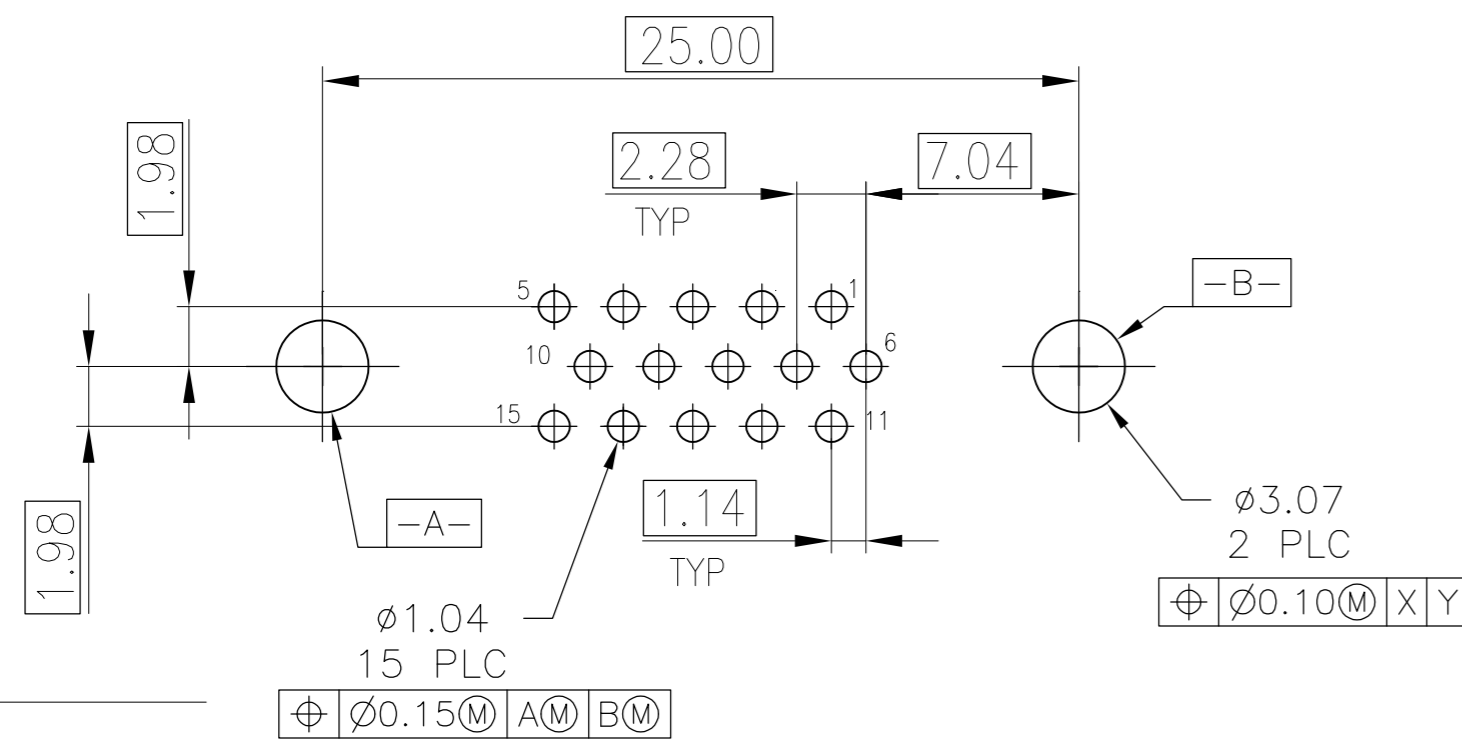


1. HOUSING MATERIAL: PBT, GLASS FILLED, BLACK, UL 94V-0 RATED.
2. CONTACT MATERIAL: PHOSPHOR BRONZE.
3. CONTACT FINISH: GOLD PLATE IN MATING AREA (SEE TABLE),  $120\mu$ " MIN TIN PLATE ON SOLDER TAIL, BOTH OVER  $50\mu$ " MIN NICKEL UNDERPLATE.
4. SHELL: STEEL, NICKEL PLATE.
5. FEMALE SCREWLOCKS: BRASS,  $50\mu$ " MIN NICKEL PLATE OVER  $50\mu$ " MIN COPPER UNDERPLATE.
6. BOARDLOCKS: BRASS,  $100\mu$ " MIN TIN PLATE OVER  $50\mu$ " MIN NICKEL UNDERPLATE.



FOUR DIGIT DATE CODE IN THIS FORMAT.  
Year 01 45 Manufacturing Week

DATUMS  $-X-$  &  $-Y-$  TO BE ESTABLISHED BY CUSTOMER.



RECOMMENDED PCB LAYOUT

OBSOLETE	Tray	$15\mu$ " MIN	5786382-3
	Tray	$30\mu$ " MIN	5786382-1
	Packaging	CONTACT MATING AREA FINISH	PART NUMBER

THIS DRAWING IS A CONTROLLED DOCUMENT.	DWN B. MCMASTER 22SEP05	TE Connectivity	
DIMENSIONS: mm	CHK S. BOLASH 22SEP05	AMPLIMITE HD-22, 15 POS RECEPTACLE, VERTICAL	
TOLERANCES UNLESS OTHERWISE SPECIFIED:	APVD M. WALMSLEY 22SEP05	NAME	
0 PLC ± -	PRODUCT SPEC	SIZE	CAGE CODE
1 PLC ± 0.30	APPLICATION SPEC	A2	00779
2 PLC ± 0.20		SCALE	4:1
3 PLC ± 0.10		SHEET	1 of 1
4 PLC ± -		DRAWING NO	C=5786382
ANGLES ± 2°		RESTRICTED TO	
MATERIAL	FINISH	WEIGHT	-
		CUSTOMER DRAWING	REV B1

5786382