

# Customer Information Sheet

DRAWING No.: M80-814XXXX

SHEET 2 OF 2

IF IN DOUBT - ASK

©

NOT TO SCALE

THIRD ANGLE PROJECTION

ALL DIMENSIONS IN mm

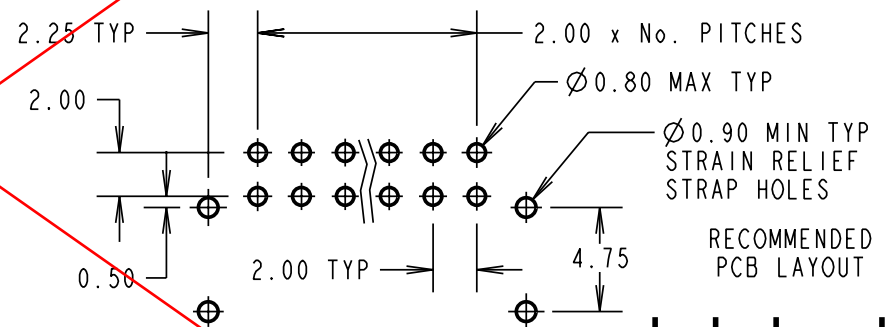
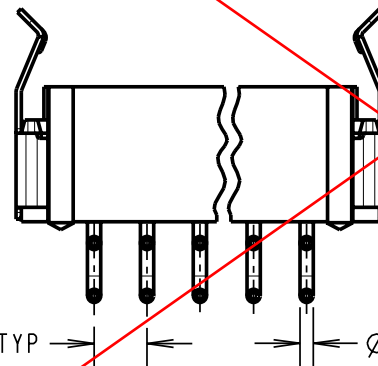
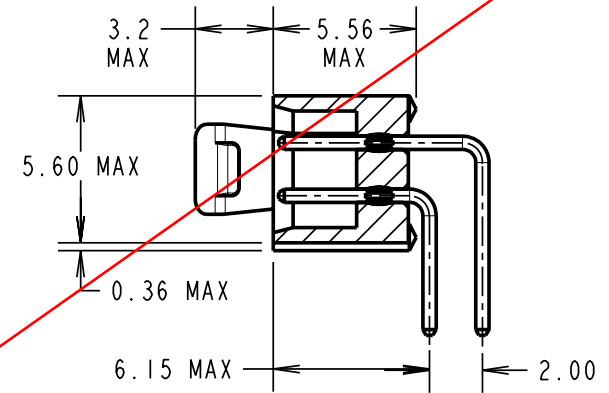
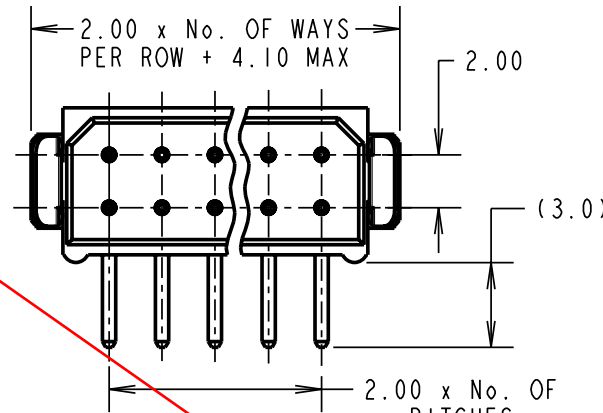
**SPECIFICATIONS:**

**MATERIAL:**  
 MOULDING = GLASS-FILLED PBT,  
 UL94V-0, BLACK  
 CONTACTS = PHOSPHOR BRONZE  
 LATCHES = BERYLLIUM COPPER  
**FINISH:**  
 CONTACTS:  
 05 = 0.75µ GOLD  
 22 = 0.75µ GOLD ON CONTACT AREA,  
 3.0µ 90/10 TIN/LEAD ON TAILS  
 LATCH = 1.25µ NICKEL

**ELECTRICAL:**  
 CURRENT RATING (25°C) = 3.0A MAX.  
 CURRENT RATING (85°C) = 2.2A MAX.  
 WORKING VOLTAGE = 120V AC/DC  
 VOLTAGE PROOF = 360V AC/DC  
**CONTACT RESISTANCE:**  
 INITIAL = 20 mΩ MAX.  
 AFTER CONDITIONING = 25 mΩ MAX.  
**INSULATION RESISTANCE:**  
 INITIAL = 1000 MΩ MIN.  
 AFTER CONDITIONING = 100 MΩ MIN.

**MECHANICAL:**  
 DURABILITY = 500 OPERATIONS  
**ENVIRONMENTAL:**  
 TEMPERATURE RANGE = -55°C TO +125°C  
**PACKING:**  
 TUBE

FOR COMPLETE SPECIFICATION, SEE COMPONENT SPECIFICATION C005XX (LATEST ISSUE)



RECOMMENDED PCB LAYOUT

**OBSOLETE**

All B5743 versions - LTB date 09-03-2018

All M80-814 versions - LTB date 07-09-2018

**NOTES:**

- 2-OFF STRAIN RELIEF STRAPS M80-0030006 ARE INCLUDED WITH THIS CONNECTOR.
- FOR RoHS COMPLIANT EQUIVALENT PRODUCT USE M80-839XXXX CONNECTORS.

BRITISH STANDARD ORDER CODE:

**B5743-2XX-M-L-Y**

TOTAL No. OF WAYS  
 04, 06, 08, 10, 12, 14, 16,  
 18, 20, 26, 34, 44

FINISH:  
 Y = SELECTIVE GOLD & TIN/LEAD

ORDER CODE:

**M80-814XXXX**

TOTAL No. OF WAYS  
 04, 06, 08, 10, 12, 14, 16,  
 18, 20, 26, 34, 44

FINISH:  
 05 = GOLD  
 22 = SELECTIVE GOLD & TIN/LEAD

RA	10	01.09.08	10127
NAME	ISS.	DATE	C/NOTE
APPROVED:		R. ADDE	
CHECKED:		M.G.PLESTED	
DRAWN:		W. J. BOURNE	
CUSTOMER REF.:			
ASSEMBLY DRG:			

**HARWIN**

HARWIN USA  
 TEL: 603 893 5376  
 FAX: 603 893 5396  
 mis@harwin.com

HARWIN Europe (UK)  
 TEL: 023 9231 4545  
 FAX: 023 9231 4590  
 mis@harwin.co.uk

HARWIN Asia  
 TEL: +65 6 779 4909  
 FAX: +65 6 779 3868  
 mis@harwin.com.sg

THIS DRAWING AND ANY INFORMATION OR DESCRIPTIVE MATTER SET OUT HEREON ARE CONFIDENTIAL AND COPYRIGHT PROPERTY OF THE HARWIN GROUP AND MUST NOT BE DISCLOSED, LOANED, COPIED OR USED FOR MANUFACTURING, TENDERING OR FOR ANY OTHER PURPOSE WITHOUT THEIR WRITTEN PERMISSION.

**TOLERANCES**  
 X. = ±1mm  
 X.X = ±0.25mm  
 X.XX = ±0.10mm  
 X.XXX = ±0.01mm  
 ANGLES = ±5°  
 UNLESS STATED

**MATERIAL:**  
 SEE ABOVE  
**FINISH:** SEE ABOVE  
**S/AREA:** mm<sup>2</sup>

**TITLE:** DATAMATE DIL  
 HORIZONTAL MALE PC TAIL  
 ASSEMBLY - FRICTION LATCH  
**DRAWING NUMBER:**  
**M80-814XXXX**  
 SHT 2 OF 2