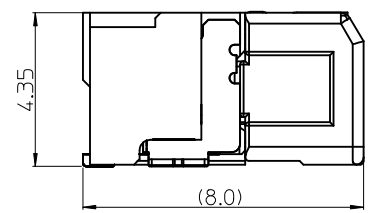
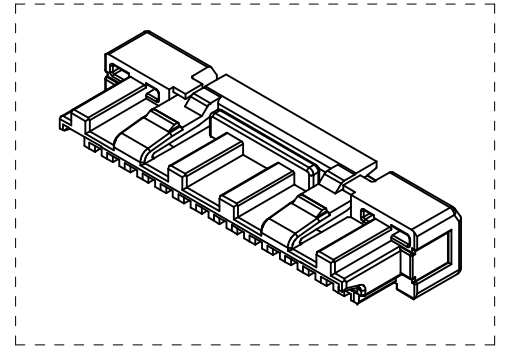
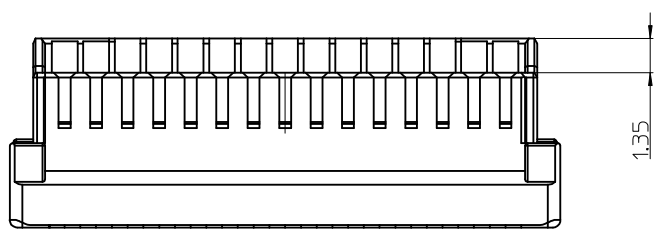
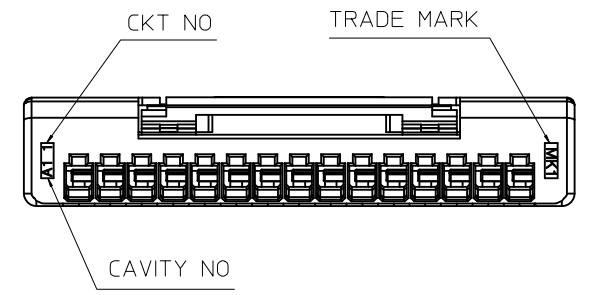
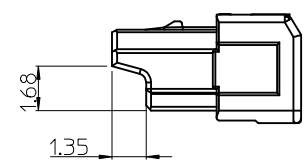
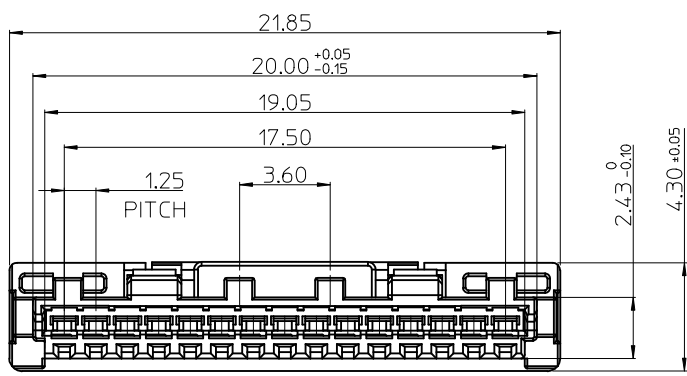


TERMINAL ASSEMBLY DRAWING
[REFERENCE]



MATED WITH HEADER ASSEMBLY
[REFERENCE]

- NOTES.
1. MATERIALS: LIQUID CRYSTAL POLYMER(LCP), GLASS FILLED, UL94V-0, COLOR: NATURAL(IVORY)
 2. PRODUCT SPECIFICATION: PS-104091-001
 3. PACKAGING SPECIFICATION: PK-104091-001
 4. MATED WITH :
 HEADER ASS'Y: 14091-1520
 TERMINAL : 502381-6001, 104521-6001



RELEASED EC NO: KOR2012-0127 DRWN:SKCHO 2012/06/19 CHKD:SHCHU 2012/06/19 APPR:YSK1M02 2012/08/06	QUALITY SYMBOLS ▽=0 ◻=0	GENERAL TOLERANCES (UNLESS SPECIFIED)		DIMENSION STYLE MM ONLY		SCALE 5/1	DESIGN UNITS METRIC	THIRD ANGLE PROJECTION		
			mm	INCH	DRAWN BY	DATE	TITLE			
		4 PLACES	± ---	± ---	JHPARK	2011/04/03	1.25 WTB CONN. R/A -15P PLUG HOUSING			
		3 PLACES	± ---	± ---	CHECKED BY	DATE	MOLEX INCORPORATED DOCUMENT NO. SD-104092-006 SHEET NO. 1 OF 1			
2 PLACES	± 0.15	± ---	SHCHU	2011/04/03						
1 PLACE	± 0.20	± ---	APPROVED BY	DATE	THIS DRAWING CONTAINS INFORMATION THAT IS PROPRIETARY TO MOLEX INCORPORATED AND SHOULD NOT BE USED WITHOUT WRITTEN PERMISSION					
ANGULAR ± 5 °			YSK1M02	2012/08/06						
DRAFT WHERE APPLICABLE MUST REMAIN WITHIN DIMENSIONS				MATERIAL NO.	1040921500					