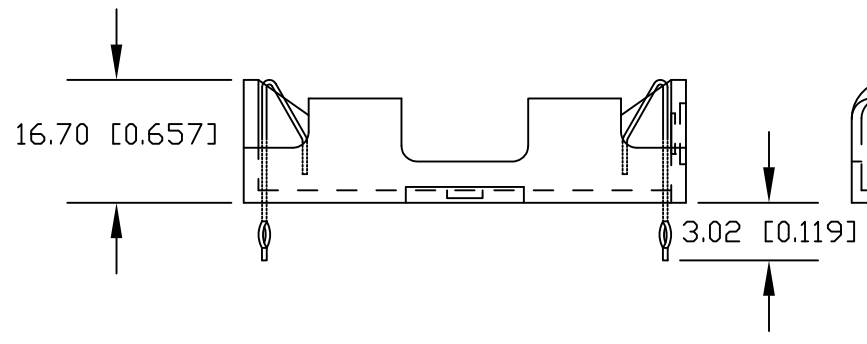
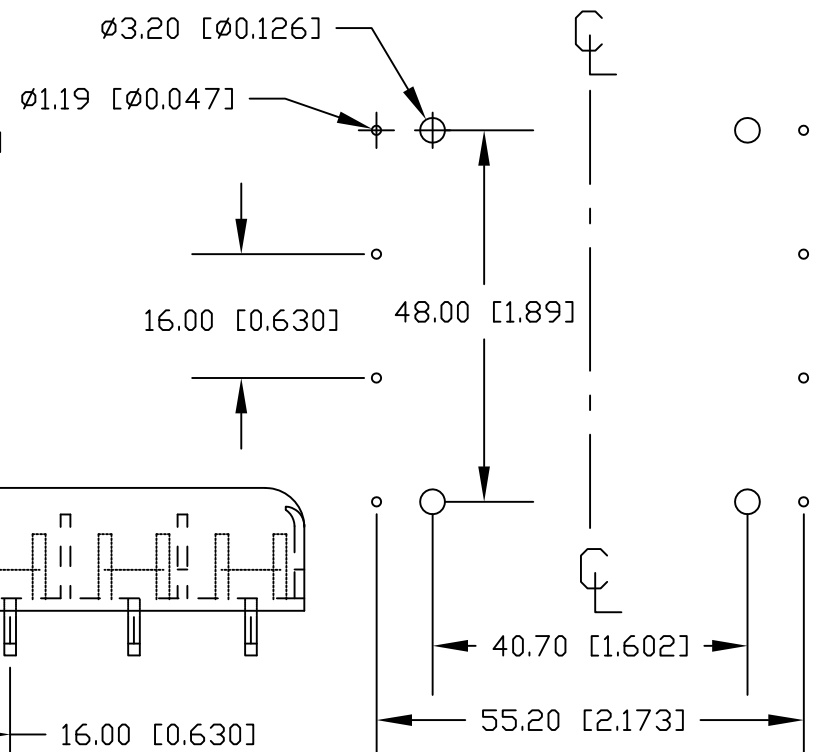
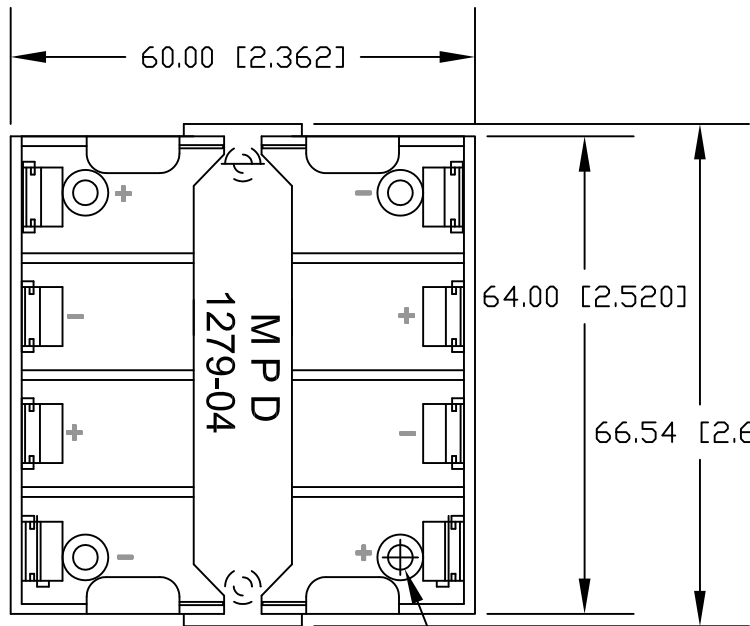



Date	SYM	REVISION RECORD	AUTH	DR.	CK.
5/26/07	A	ADDED TEST RESULTS	T.B.	B.S.	
5/09/08	B	ADDED DIM. 48.07	T.B.	B.S.	
7/24/09	C	DIM. 55.20 WAS DIM. 48.07	T.B.	B.S.	



**PCB LAYOUT**

**NOTES:**  
 Material: Polypropylene, UL94V-0, UL file No. E255317  
 Contacts: 302 Stainless Steel Spring Temper, Nickel Plated  
 Cover: Polypropylene, UL94V-0  
 Heat Deflection Temperature: 90°C  
 Vibration Test: 10-50-10 Hz swept in 60 seconds  
 X,Y,Z direction: 1 hour each direction  
 Result: No dislodgement of the cell or damage  
 No discontinuity over 10 micro-seconds  
 Shock Test: Half sine wave acceleration 150G. 6 micro-seconds  
 3 shock pulses each direction per axis, total of 18 pulses  
 Result: No evidence of physical damage.  
 ROHS COMPLIANT

Tolerance (Inches)	 <b>Memory Protection Devices, Inc</b> 200 Broad Hollow Road, Farmingdale, New York 11735		
±.5 (.020)	Approved By T.B.		
Fractional	Title		
± .8 (.030)	FOUR "AA" CELL HOLDER WITH COVER		
Angular	Date	Drawing Number	
± 3°	7/24/09	BK-1279-PC8	