
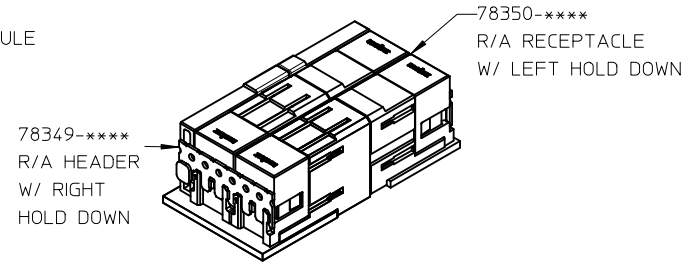
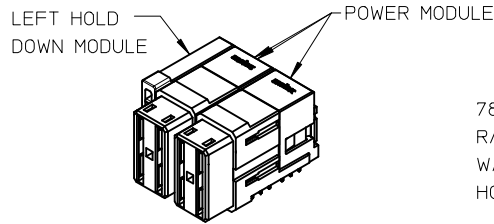



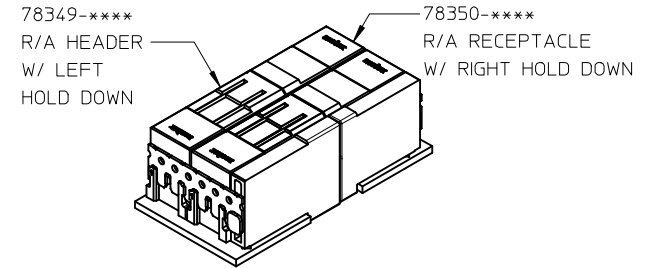
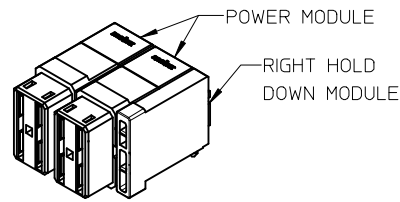
LEFT HOLD DOWN OPTIONS

PART NUMBER	NUMBER OF POWER MODULES	"DIM A"	PLATING OPTION	LEFT HOLD DOWN MODULE LOCATION 
78350-1001	1X	15.00	TIN	REFER TO SHEET 2 FOR DETAILS
78350-1011	2X	26.40		

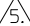


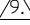
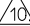
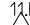

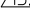





RIGHT HOLD DOWN OPTIONS

PART NUMBER	NUMBER OF POWER MODULES	"DIM A"	PLATING OPTION	RIGHT HOLD DOWN MODULE LOCATION 
78350-2001	1X	15.00	TIN	REFER TO SHEET 3 FOR DETAILS
78350-2011	2X	26.40		

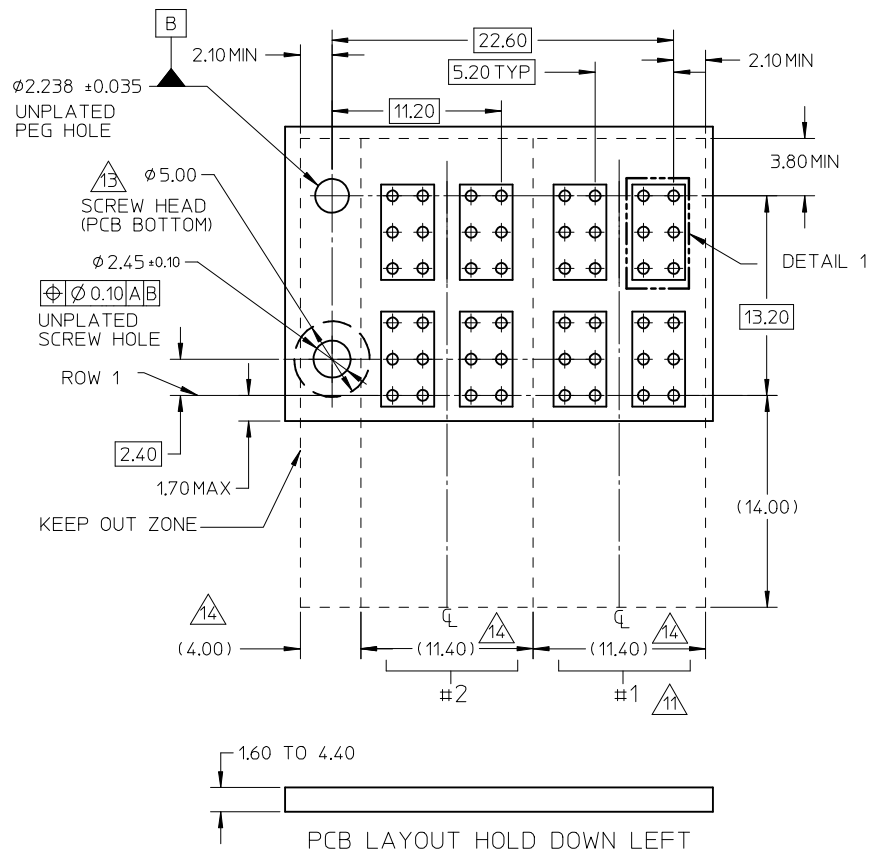
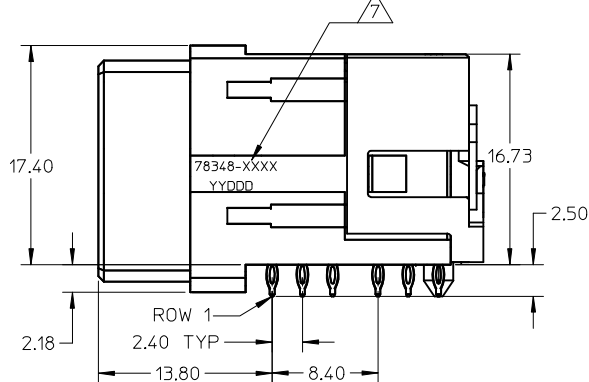
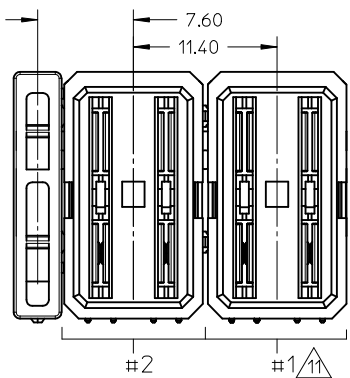
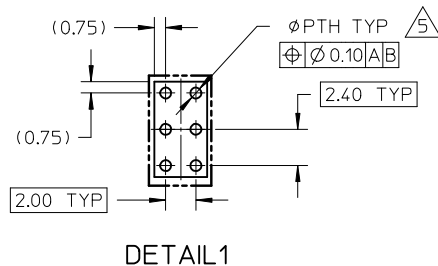
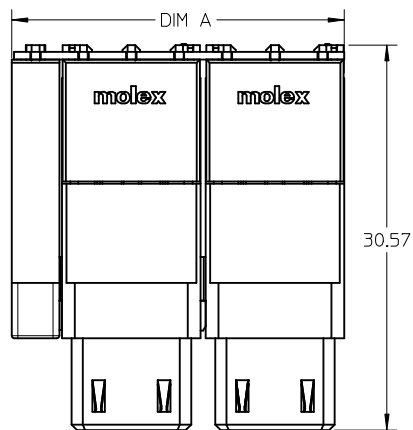


NOTES:

- MATERIALS:  
HOUSING - HIGH TEMP. THERMOPLASTIC, GLASS FILLED, UL94-V0,COLOR:BLACK.  
POWER PIN - COPPER ALLOY.
- FINISHES:  
POWER CONTACTS  
0.76µm MINIMUM GOLD AT CONTACT AREA AND  
2.54µm MINIMUM TIN AT SOLDER TAIL AREA  
OVER 1.27µm MINIMUM NICKEL UNDERPLATE.
- PRODUCT SPECIFICATION: PS-78213-001.
- PACKAGING SPECIFICATION:  
PK-78350-001 (1X MODULE WITH HOLD DOWN MODULE)  
PK-78350-002 (2X MODULE WITH HOLD DOWN MODULE)
-  REFER TO MOLEX PRODUCT SPECIFICATION PS-78213-001 FOR PLATED THROUGH HOLE SPECIFICATIONS AND TORQUE FORCE.
- MATES WITH 78349-\*\*\*\*.
-  PART NUMBER AND YEAR-DAY CODE. CAN BE AT THE OPPOSITE SIDE.
-  ADD 11.4mm FOR EACH ADDITIONAL POWER MODULE.
-  THE DETAILS FOR LEFT & RIGHT HOLD DOWN OPTION ARE SHOWN IN SHEET 2 AND SHEET 3 RESPECTIVELY.
-  CONNECTORS ARE PACKED IN TRAY
-  FIRST POWER MODULE(#1) START FROM THE RIGHT.
-  REFER TO SD-78248-001 FOR DETAILS OF THE POWER MODULE .
-  ALL PARTS ARE SHIPPED WITH A 2-32 TYPE AB SELF-TAPPING SCREW PART NUMBER 73726-0000.
-  COMPONENT KEEP AWAY ZONE FROM CONNECTOR

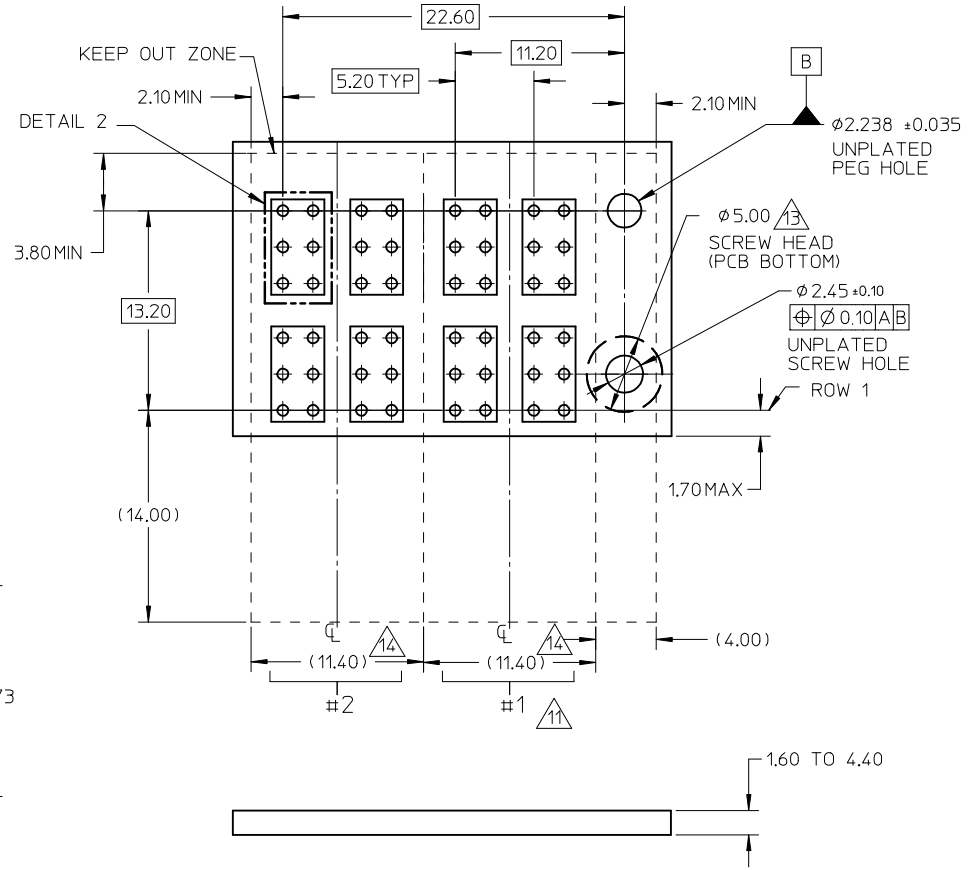
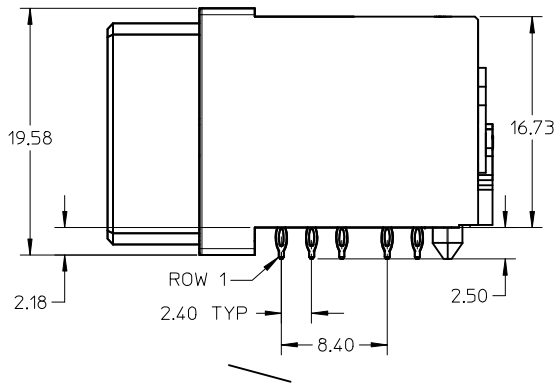
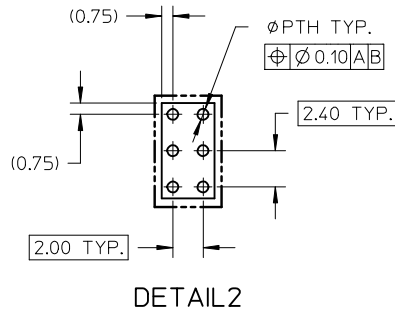
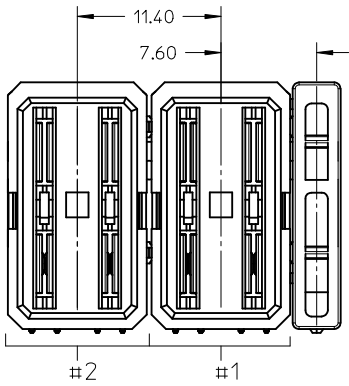
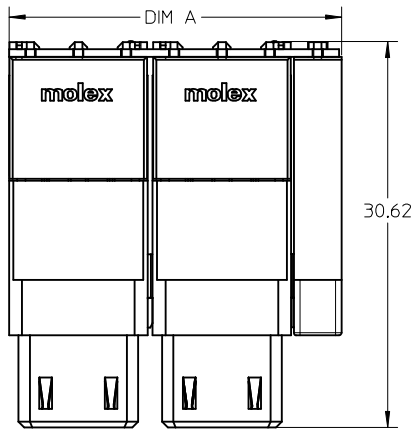
UPDATE PG 4 EC NO: S2014-0872 DRWN: SHONG 2015/01/19 CHKD: HICGOH 2015/04/07 APPR: SHLENI 2015/04/07	QUALITY SYMBOLS $F_A=0$ $F_G=0$ $F_P=0$	GENERAL TOLERANCES (UNLESS SPECIFIED)		DIMENSION STYLE <b>MM ONLY</b>		SCALE NTS	DESIGN UNITS METRIC	 THIRD ANGLE PROJECTION		
			mm	INCH	DRAWN BY	DATE	TITLE			
		4 PLACES	± ---	± ---	LNG	2010/02/26	IMPACT POWER, 4 PAIR RA RECEPT W HOLD DOWN PRESS FIT			
		3 PLACES	± ---	± ---	CHECKED BY	DATE				
2 PLACES	± 0.25	± ---	CTCHO	2011/03/09	 MOLEX INCORPORATED					
1 PLACE	± ---	± ---	APPROVED BY	DATE						
ANGULAR ± 1 °		DRAFT WHERE APPLICABLE MUST REMAIN WITHIN DIMENSIONS		SEE TABLE		DOCUMENT NO.		SHEET NO.		
B4		REV		A3		THIS DRAWING CONTAINS INFORMATION THAT IS PROPRIETARY TO MOLEX INCORPORATED AND SHOULD NOT BE USED WITHOUT WRITTEN PERMISSION				

LEFT HOLD DOWN OPTION



UPDATE PG 4 EC NO: S2014-0872 DRWN: SHONG CHKD: HICGOH APPR: SHILENI 2015/01/19 2015/04/07 2015/04/07	QUALITY SYMBOLS	GENERAL TOLERANCES (UNLESS SPECIFIED)	DIMENSION STYLE	SCALE	DESIGN UNITS	THIRD ANGLE PROJECTION
	$F_A = 0$ $F_C = 0$ $F_P = 0$	mm    INCH 4 PLACES ± --- ± --- 3 PLACES ± --- ± --- 2 PLACES ± 0.25 ± --- 1 PLACE ± --- ± --- ANGULAR ± 1 °	MM ONLY	NTS	METRIC	
		DRAFT WHERE APPLICABLE MUST REMAIN WITHIN DIMENSIONS	DRAWN BY: LNG CHECKED BY: CTCHO APPROVED BY: SHONG MATERIAL NO.: SEE TABLE	DATE: 2010/02/26 DATE: 2011/03/09 DATE: 2011/05/04	TITLE	IMPACT POWER, 4 PAIR RA RECEIPT W HOLD DOWN PRESS FIT
	B4		SIZE: A3	MOLEX INCORPORATED DOCUMENT NO.: SD-78350-001		SHEET NO.: 2 OF 4

RIGHT HOLD DOWN OPTION



PCB LAYOUT HOLD DOWN RIGHT  
(COMPONENT SIDE SHOWN)

UPDATE PG 4 EC NO: S2014-0872 DRWN: SHONG CHKD: HICGH APPR: SILENI 2015/01/19 2015/04/07 2015/04/07	QUALITY SYMBOLS	GENERAL TOLERANCES (UNLESS SPECIFIED)	DIMENSION STYLE	SCALE	DESIGN UNITS	THIRD ANGLE PROJECTION
	$F_A = 0$ $F_C = 0$ $F_P = 0$	mm    INCH 4 PLACES ± --- ± --- 3 PLACES ± --- ± --- 2 PLACES ± 0.25 ± --- 1 PLACE ± --- ± --- ANGULAR ± 1 °	MM ONLY	NTS	METRIC	
		DRAFT WHERE APPLICABLE MUST REMAIN WITHIN DIMENSIONS	DRAWN BY: LNG    DATE: 2010/02/26 CHECKED BY: CTCHO    DATE: 2011/03/09 APPROVED BY: SHONG    DATE: 2011/05/04	TITLE	IMPACT POWER, 4 PAIR RA RECEPT W HOLD DOWN PRESS FIT	
	B4		SEE TABLE	MATERIAL NO.	DOCUMENT NO.	SHEET NO.

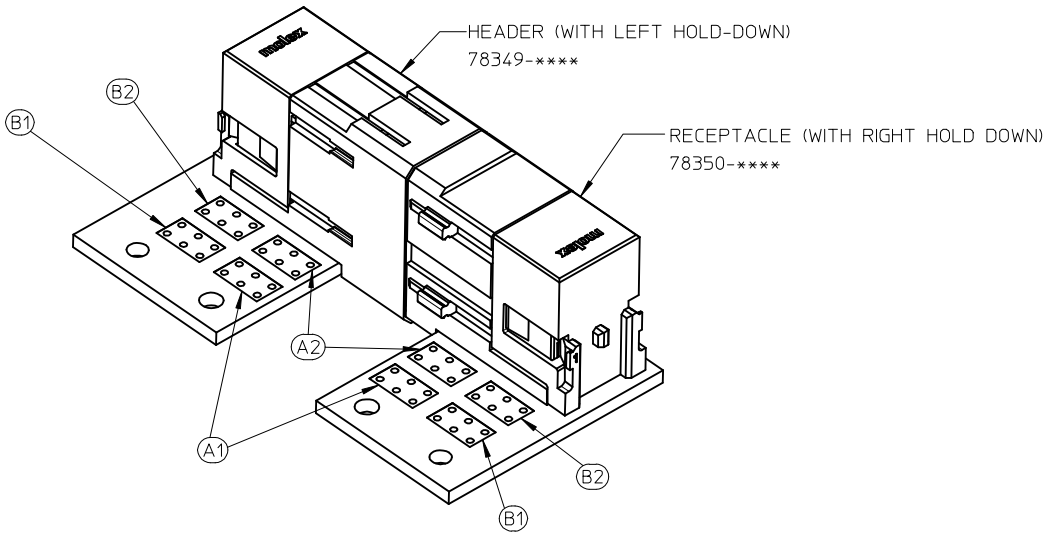


MOLEX INCORPORATED

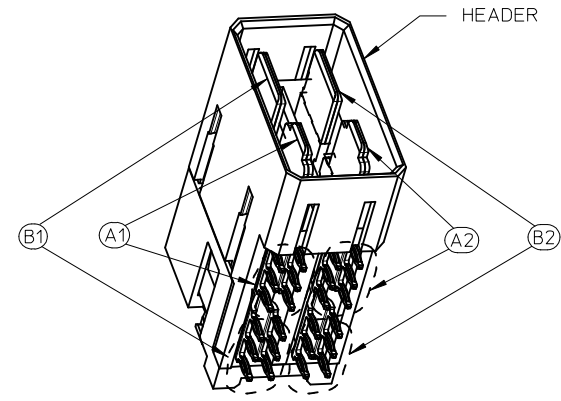
SD-78350-001

3 OF 4

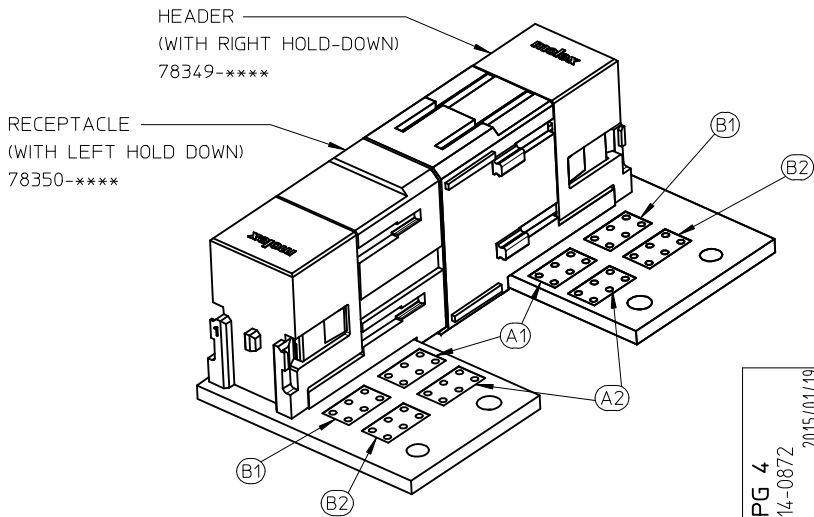
THIS DRAWING CONTAINS INFORMATION THAT IS PROPRIETARY TO MOLEX INCORPORATED AND SHOULD NOT BE USED WITHOUT WRITTEN PERMISSION



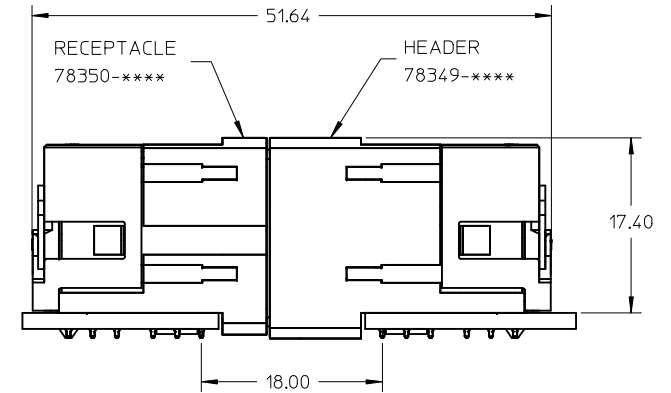
SERIES NUMBER 78350; RIGHT HOLD DOWN:  
1 POWER MODULE AND HOLD DOWN REMOVED TO  
ILLUSTRATE CIRCUIT PATH OF MATED SYSTEM



PIN NUMBER ASSIGNMENT BASED ON HEADER SIDE:  
A1, B1 ON THE LEFT,  
A2, B2 ON THE RIGHT.



SERIES NUMBER 78350; LEFT HOLD DOWN:  
1 POWER MODULE AND HOLD DOWN REMOVED TO  
ILLUSTRATE CIRCUIT PATH OF MATED SYSTEM



MATED SYSTEM OF 78349 & 78350

UPDATE PG 4 EC NO: S2014-0872 DRWN: SHONG CHKD: HCGOH APPR: SILENI 2015/01/19 2015/04/07 2015/04/07	QUALITY SYMBOLS $F_A=0$ $F_E=0$ $F_P=0$	GENERAL TOLERANCES (UNLESS SPECIFIED)		DIMENSION STYLE MM ONLY		SCALE NTS	DESIGN UNITS METRIC	THIRD ANGLE PROJECTION		
			mm	INCH	DRAWN BY LNG	DATE 2010/02/26	TITLE IMPACT POWER, 4 PAIR RA RECEPT W HOLD DOWN PRESS FIT			
		4 PLACES	± ---	± ---	CHECKED BY CTCHO	DATE 2011/03/09	<b>molex</b> DOCUMENT NO. SD-78350-001 SHEET NO. 4 OF 4			
		3 PLACES	± ---	± ---	APPROVED BY SHONG	DATE 2011/05/04				
2 PLACES	± 0.25	± ---	MATERIAL NO. SEE TABLE		THIS DRAWING CONTAINS INFORMATION THAT IS PROPRIETARY TO MOLEX INCORPORATED AND SHOULD NOT BE USED WITHOUT WRITTEN PERMISSION					
1 PLACE	± ---	± ---	ANGULAR ± 1 °							
0 PLACE	±	±	DRAFT WHERE APPLICABLE MUST REMAIN WITHIN DIMENSIONS							