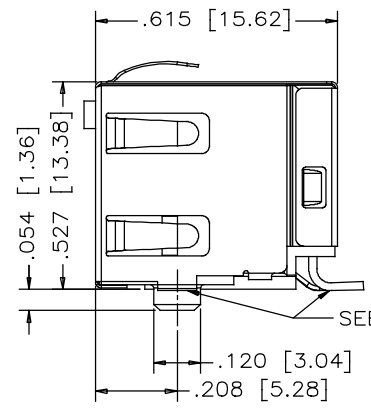
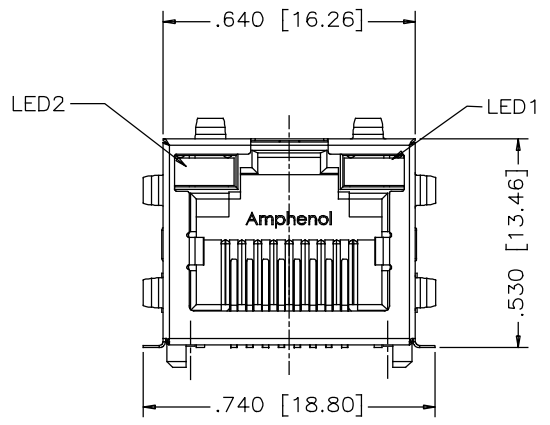
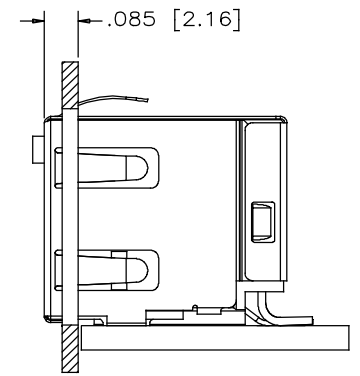
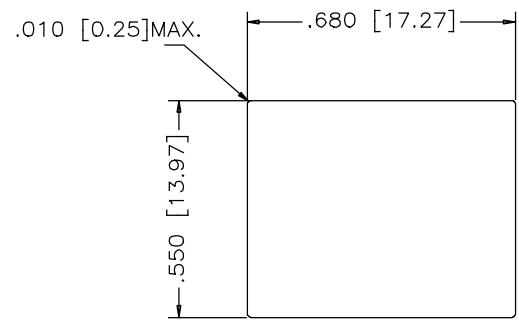
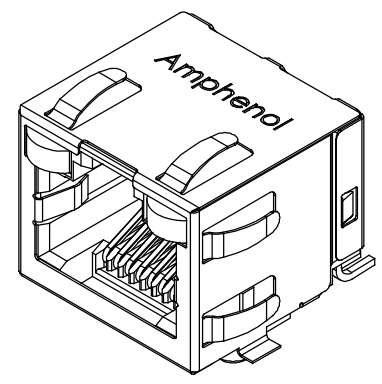
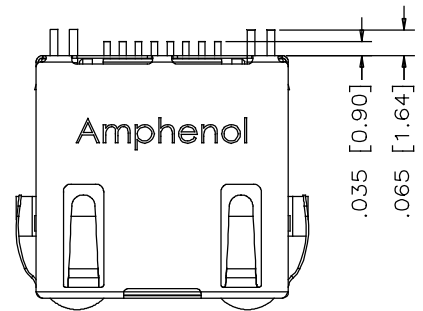
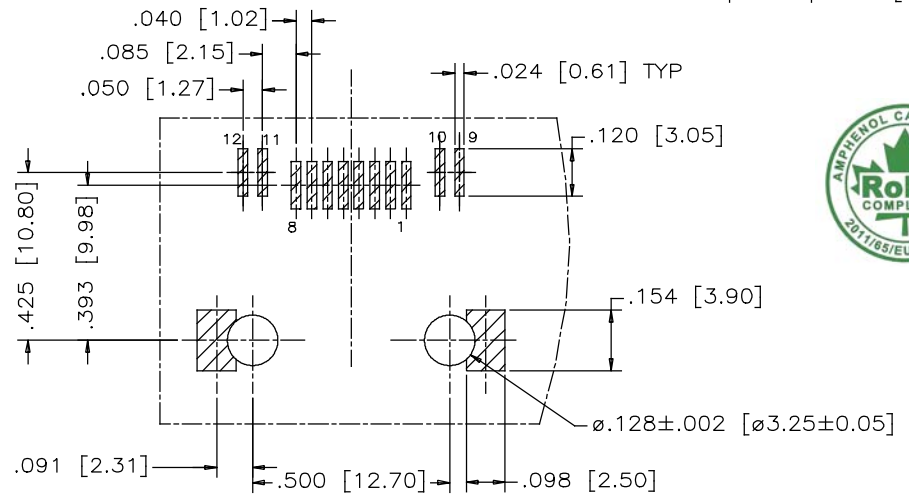
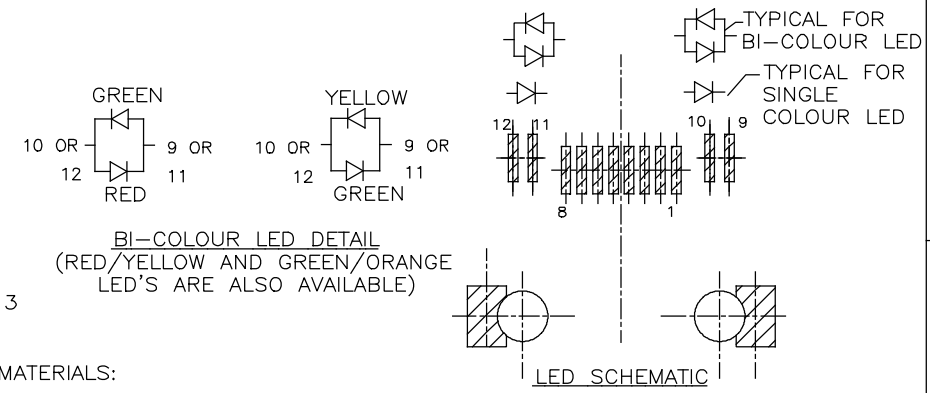


REVISIONS			
REV	DESCRIPTION, ECN, EAR NO.	DATE	APP'D
A	PROPOSAL	JUN23/14	L.CHAN



RECOMMENDED PANEL CUT-OUT



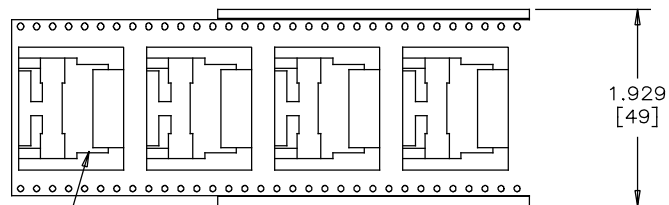
- 1, MATERIALS:
- HOUSING: HIGH TEMPERATURE THERMOPLASTIC
FLAMMABILITY RATING UL 94V-0
COLOR: BLACK
 - CONTACTS: PHOSPHOR BRONZE
 - PLATING: GOLD PLATING ON MATING SURFACE REFER TO AMPHENOL PART SYSTEM.
50 μ " [1.27 MICRONS] MIN NICKEL UNDERPLATE.
100 μ " [2.54 MICRONS] MIN MATTE-TIN OR GOLD FLASH ON CONTACT TAILS.
 - SHIELD: STAINLESS STEEL WITH MATTE TIN PLATING.
- 2, ALLOW 0.6% LED DEFECT RATE AFTER 260° IR REFLOW PROCESS
- 3, COPLANARITY SPECIFICATION:
THE MAXIMUM GAP BETWEEN ALL TERMINAL TAILS IS 0.10 [0.004]
- PART NUMBER: RJCSE-X38X-01X
- GOLD PLATING OPTION
 2 = 6 μ " 4 = 30 μ "
 3 = 15 μ " 5 = 50 μ "
 REFER TO LED OPTIONS DRAWING

RECOMMENDED P.C.B. LAYOUT
(COMPONENT SIDE OF BOARD)

UNLESS SPECIFIED OTHERWISE	DRAWN G.HSIA	JUN23/14	Amphenol Canada Corp. www.amphenolcanada.com
PRIMARY UNITS INCHES	CHECKED		
SECONDARY MILLIMETERS	M.E. APP'D		
REFERENCE IN PARENTHESES	Q.A. APP'D		SINGLE PORT SURFACE MOUNT JACK 8 POSITION, 8 CONTACTS, SHIELDED, WITH LED OPTION- RoHS COMPLIANT
1 DECIMAL PLACE	DWG APP'D L.CHAN	JUN23/14	
2 DECIMAL PLACES	ENG. REL NO.		DWG NO.
3 DECIMAL PLACES ± 0.015	REF.		P-RJCSE-X38X-01X
ANGULAR DEGREES	THIRD ANGLE PROJECTION	DO NOT SCALE DRAWING	REV A
CODE ID NO. 03554		DWG SIZE	SCALE
SHEET 1 OF 2			

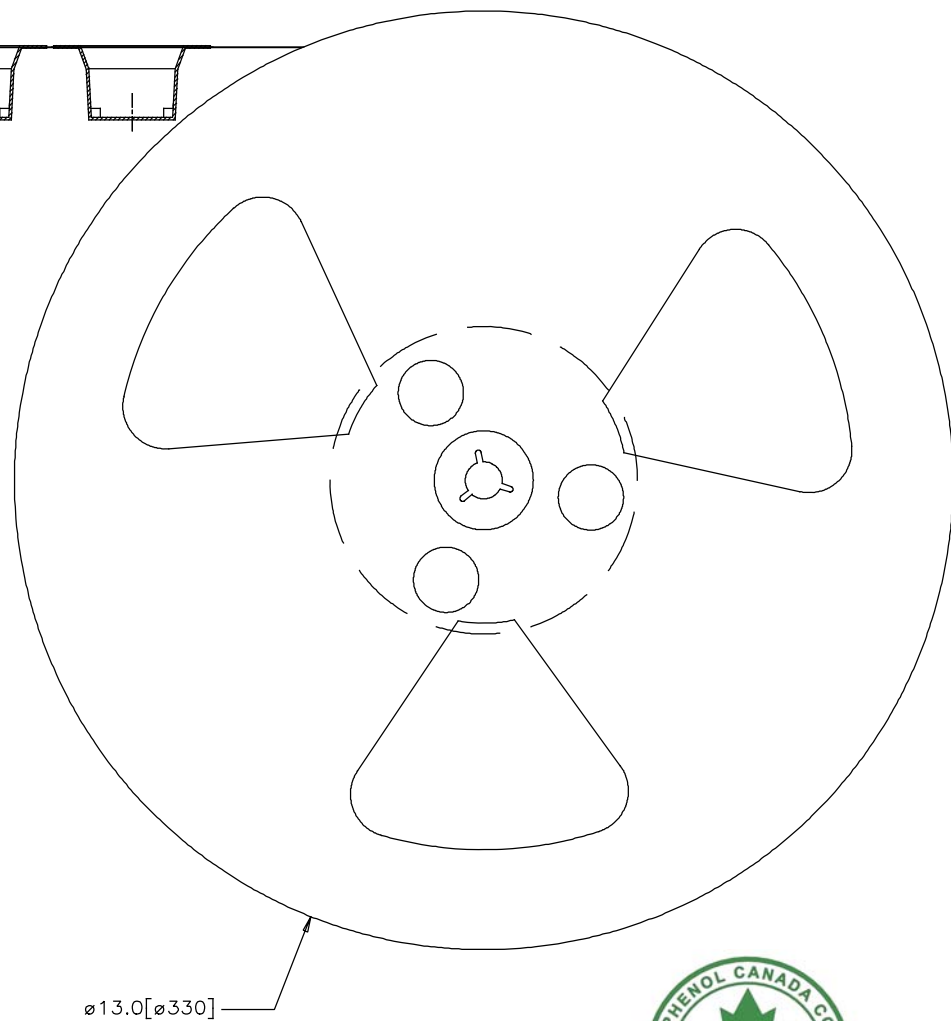
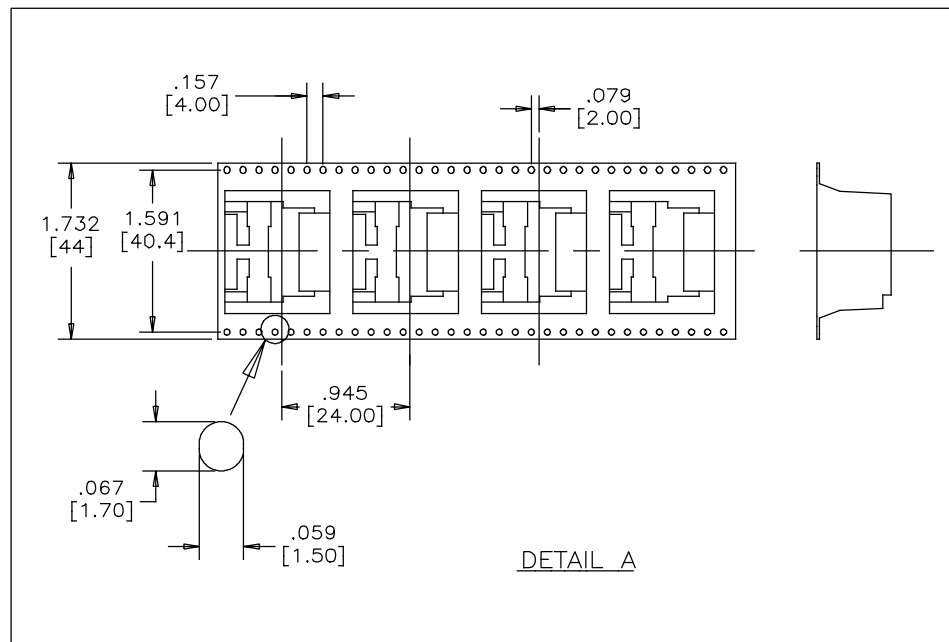
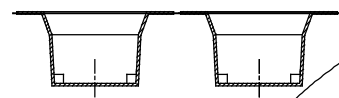
REVISIONS			
REV	DESCRIPTION, ECN, EAR NO.	DATE	APP'D
A	PROPOSAL	JUN23/14	L.CHAN

← DIRECTION OF CONNECTOR LOADED INTO MACHINE.
LEADS FACING FRONT SIDE



TOP VIEW
(COVER TAPE NOT SHOWN)

SEE DETAIL 'A'



PACKAGING NOTES:

1. ONE REEL SHOULD HOLD 150 CONNECTORS.
2. 15 EMPTY CAVITIES FOR CARRIER TAPE LEADER & 10 EMPTY CAVITIES FOR CARRIER TAPE TRAILER.
3. A FULLY LOADED CARTON SHOULD CONTAIN 5 REELS OF CONNECTORS.

THIS DOCUMENT CONTAINS PROPRIETARY INFORMATION AND SUCH INFORMATION MAY NOT BE DISCLOSED TO OTHERS FOR ANY PURPOSE OR USED FOR MANUFACTURING PURPOSES WITHOUT WRITTEN PERMISSION FROM AMPHENOL CANADA CORP.

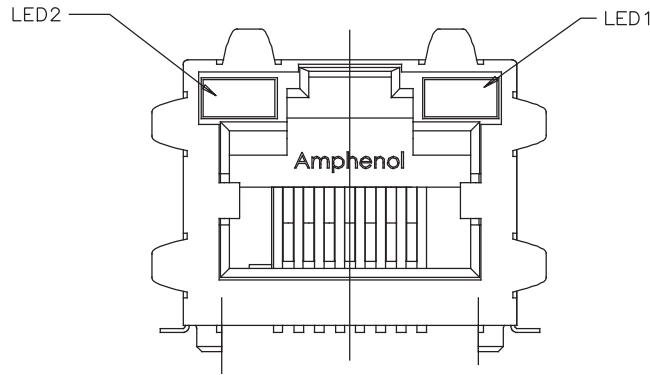
UNLESS SPECIFIED OTHERWISE	DRAWN G.HSIA	JUN23/14
PRIMARY UNITS INCHES	CHECKED	
SECONDARY MILLIMETERS	M.E. APP'D	
REFERENCE IN PARENTHESES	Q.A. APP'D	
1 DECIMAL PLACE	DWG APP'D L.CHAN	JUN23/14
2 DECIMAL PLACES	ENG. REL NO.	
3 DECIMAL PLACES ±0.015	REF.	
ANGULAR DEGREES ±1.5'	THIRD ANGLE PROJECTION	DO NOT SCALE DRAWING

Amphenol Canada Corp. www.amphenolcanada.com	
SINGLE PORT SURFACE MOUNT JACK 8 POSITION, 8 CONTACTS, SHIELDED, WITH LED OPTION- RoHS COMPLIANT	
DWG NO.	P-RJCSE-X38X-01X
CODE ID NO. 03554	DWG SIZE SCALE SHEET 2 OF 2

REV A



REVISIONS				
SYM	ZONE	ECN, ERN NO.	DATE	APPRD.
A		PER ECN E07065	MAR14/07	L.CHAN
B		PER ECN E07131	MAY10/07	L.CHAN
C		ADD LED Y OPTION	JUL04/12	L.CHAN
D		ADD NEW ROHS STAMP	DEC28/12	L.CHAN
E		ADD LED R OPTION	JUN25/13	L.CHAN



TYPICAL FOR SINGLE & MULTI-PORT

EXAMPLE:

PART NUMBER RJCSE-538X



LED SPECIFICATIONS:

FORWARD VOLTAGE: 2.1 VOLTS TYP.
 REVERSE VOLTAGE: 5.0 VOLTS MIN.
 LUMINOUS INTENSITY: 0.5 mCd MIN.
 (AT If=2mA)

STORAGE TEMPERATURE: -20° TO 85° C
 LEAD SOLDERING TEMPERATURE: 260° C
 (5 SEC, 1/16" FROM CASE)

PLATING ON TAILS: TIN OR TIN/COPPER
 ALLOY OVER SILVER

PRIMARY COLOR FOR BI-COLOR

LEDS IN STANDARD ANODE/
 CATHODE CONFIGURATION IS:
 RED-GREEN= RED
 RED-YELLOW= RED
 GREEN-YELLOW= GREEN
 GREEN-ORANGE= GREEN

LEGEND

BiC=BI-COLOR LED
 LOWC=LOW CURRENT LED
 YE=YELLOW
 GR=GREEN
 RD=RED
 OR=ORANGE

NOTE:

THE TWO DIGITS PRECEDING THE
 ADDITIONAL LED CODE MUST BE
 USED IN THE PART NUMBER, WHEN
 ORDERING ANY OF THE ADDITIONAL
 LED OPTIONS.

CODE	LED 2 (LEFT)	LED 1 (RIGHT)	CODE	LED 2 (LEFT)	LED 1 (RIGHT)	CODE	LED 2 (LEFT)	LED 1 (RIGHT)
0	BLOCKED	BLOCKED	9	GREEN	BLOCKED	J	BiC RD/GR	YELLOW
1	YELLOW	GREEN	A	BiC GR/YE	BiC GR/YE	K	YELLOW	BiC GR/OR
2	BLOCKED	GREEN	B	BiC RD/GR	BiC RD/GR	L	BiC GR/YE	RED
3	YELLOW	BLOCKED	C	BiC RD/GR	BiC GR/YE	M	RED	YELLOW
4	GREEN	YELLOW	D	GREEN	BiC GR/YE	P	GREEN	BiC RD/GR
5	GREEN	GREEN	E	YELLOW	BiC GR/YE	R	BiC GR/OR	GREEN
6	YELLOW	YELLOW	F	BiC GR/YE	YELLOW	T	RED	RED
7	RED	GREEN	G	BiC GR/OR	BiC GR/OR	V	BiC RD/GR	GREEN
8	GREEN	RED	H	BiC GR/YE	GREEN	W	ADDITIONAL	OPTIONS

EXAMPLE OF ADDITIONAL LED OPTIONS:

PART NUMBER RJCSE-538W-01Y



CODE	LED 2 (LEFT)	LED 1 (RIGHT)	CODE	LED 2 (LEFT)	LED 1 (RIGHT)	CODE	LED 2 (LEFT)	LED 1 (RIGHT)
0	DO NOT USE		5	BLOCKED	YELLOW	A	LOWC YE	LOWC YE
1	RED	BLOCKED	6	RED	BiC RD/GR	B	LOWC YE	LOWC GR
2	BiC GR/OR	YELLOW	7	BLOCKED	BiC RD/GR	C	LOWC GR	LOWC YE
3	YELLOW	RED	8	BiC RD/GR	BLOCKED	D	LOWC GR	LOWC GR
4	BLOCKED	RED	9	BiC GR/YE	BLOCKED	M	LOWC RD	LOWC YE
						E	GREEN	ORANGE
						F	ORANGE	GREEN
						G	BiC OR/GR	BiC OR/GR
						R	BiC GR/RD	BiC GR/RD

DRAWN J.OUYANG	DATE MAR14/07
DESIGNED	
CHECKED CHIGOW.XU	MAR14/07
I. E. APPRD. YM,Lee	MAR14/07
Q. A. APPRD.	
DWG. APPRD.	
ENG. REL. NO. ECN E07065	
REF. EAR A070503	
DIMENSIONS ARE IN INCHES [mm]	CODE ID. NO. 03554

Amphenol Canada Corp.			
TITLE LED OPTIONS FOR RJCSE, SINGLE OR MULTI-PORT CONNECTORS - RoHS COMPLIANT			
DWG	DRAWING NO. P-RJCSE-LEDS	REV.	E
SCALE	WT. -----	SURF. -----	SHEET 1 OF 1

THIS DOCUMENT CONTAINS PROPRIETARY INFORMATION AND SUCH INFORMATION MAY NOT BE DISCLOSED TO OTHERS FOR ANY PURPOSE OR USED FOR MANUFACTURING PURPOSES WITHOUT WRITTEN PERMISSION FROM AMPHENOL CANADA CORP.