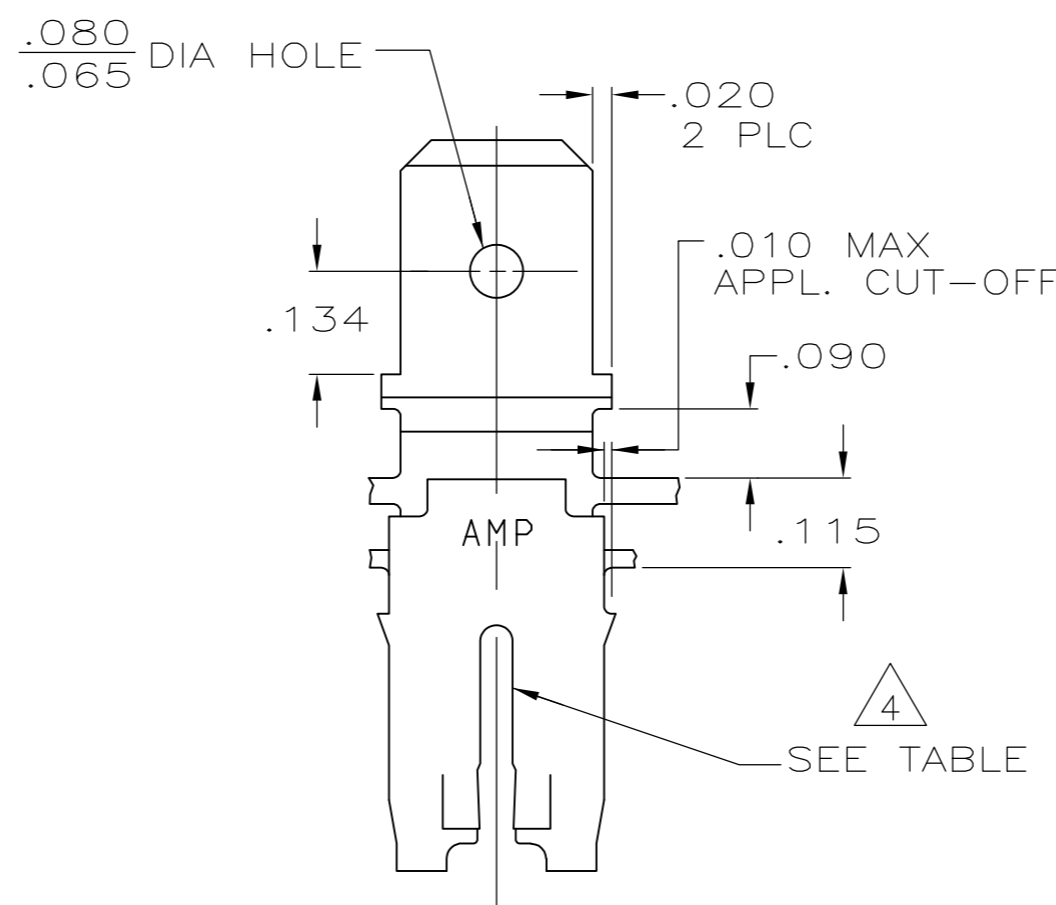
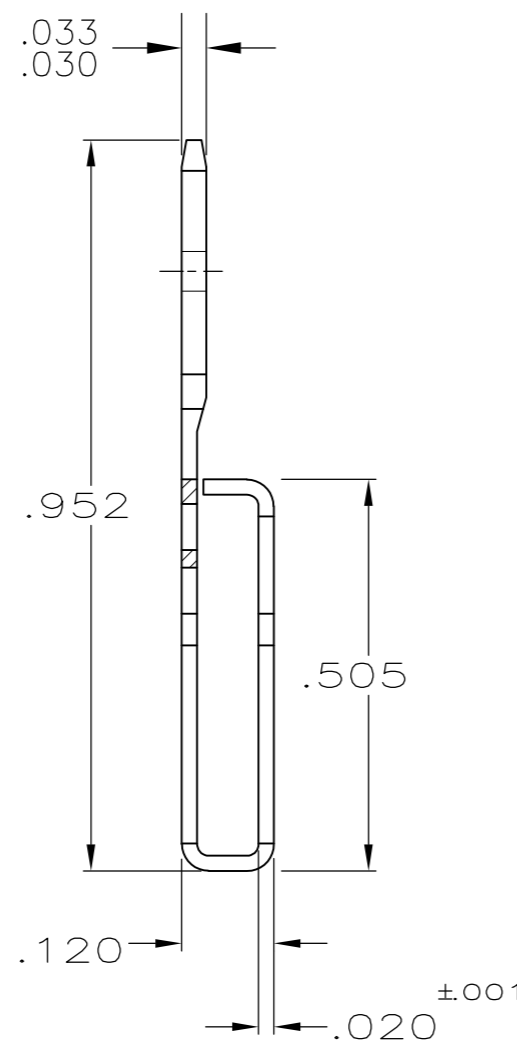
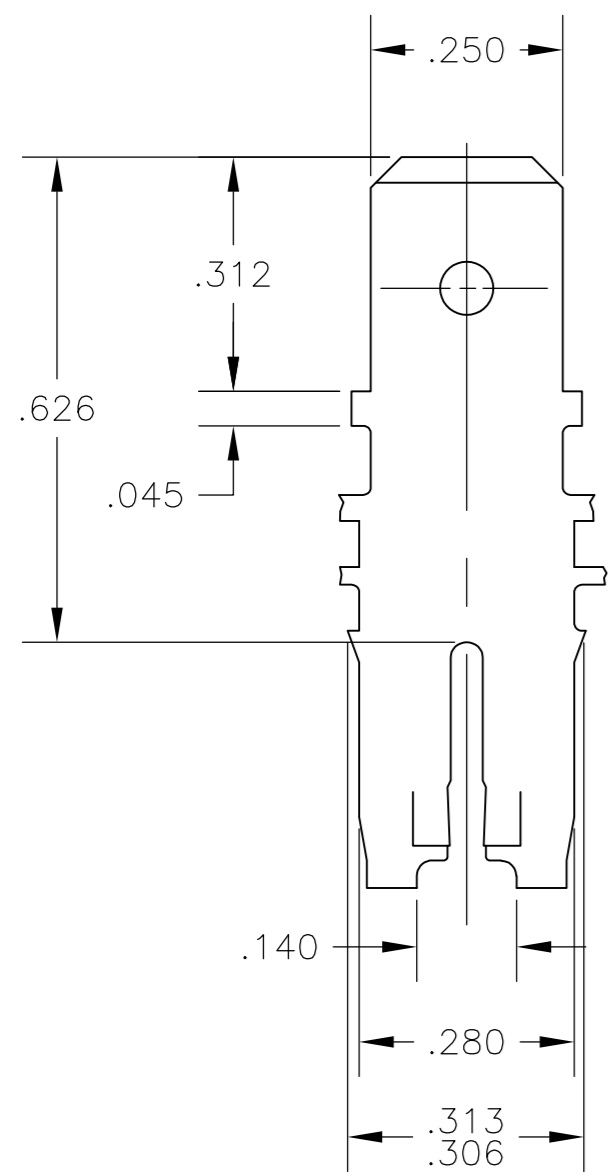
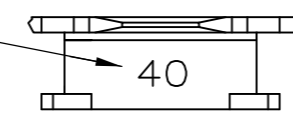


THIS DRAWING IS UNPUBLISHED. RELEASED FOR PUBLICATION  
 © COPYRIGHT BY TYCO ELECTRONICS CORPORATION. ALL INTERNATIONAL RIGHTS RESERVED.

LOC	DIST	REVISIONS					
		P	LTR	DESCRIPTION	DATE	DWN	APVD
AF	50		H2	REVISED PER ECR-08-005471	19MAR09	HMR	KR

- 1 FOR MAG-MATE CAVITY SPECIFICATION REFER TO APPLICATION SPEC #114-2066.
- 2 CONTINUOUS STRIP ON REELS WITH TERMINALS LOCATED ON .330 CENTERS.
- 3 AFTER INSERTION INTO PLASTIC HOLDER MAG-MATE MUST BE POTTED-IN TO PREVENT PULL-OUT WHEN MATING RECEPTACLE IS DISCONNECTED.
- 4 FOR COPPER OR ALUMINUM WIRE. 2 WIRES MAX OF THE SAME SIZE AND TYPE PER SLOT
- 5 VARNISH RESIST OVER 0.00232 [.000080] MIN TIN PER ASTM-B545.
- 6 COPPER MAGNET WIRE ONLY. 2 WIRES MAX OF THE SAME SIZE AND TYPE PER SLOT.
- 7 PRELIMINARY - NOT FOR PRODUCTION.

IDENTIFICATION NUMBER FOR MAGNET WIRE RANGE



	6 N/A	#15-#16	UNPLATED	7 63459-5
OBSOLETE	#14-#15	#15-#16	SPECIAL	5 63459-4
	#14-#15	#15-#16	STANDARD	5 63459-3
	#14-#15	#15-#16	TIN	63459-2
OBSOLETE		#15-#16	VARNISH RESIST OVER TIN	63459-1
	ALUMINUM	COPPER		
	MAGNET WIRE RANGE		FINISH	PART NO

THIS DRAWING IS A CONTROLLED DOCUMENT.		DWN	JR RUTH	1/26/87	Tyco Electronics Corporation Harrisburg, PA 17105-3608
DIMENSIONS: INCHES		CHK	G YETTER	1/29/87	
TOLERANCES UNLESS OTHERWISE SPECIFIED:		APVD	J SWARTZ	1/29/87	
0 PLC ± - 1 PLC ± - 2 PLC ± - 3 PLC ± .015 4 PLC ± - ANGLES ± -		NAME		TAB, .250 FASTON, MAG-MATE™	
MATERIAL	#4H PRE-MILLED BRASS	FINISH	SEE TABLE	WEIGHT	-
SCALE		4:1	SHEET	1 of 1	REV
CUSTOMER DRAWING		SIZE		A2	CAGE CODE
		DRAWING NO		C=63459	RESTRICTED TO