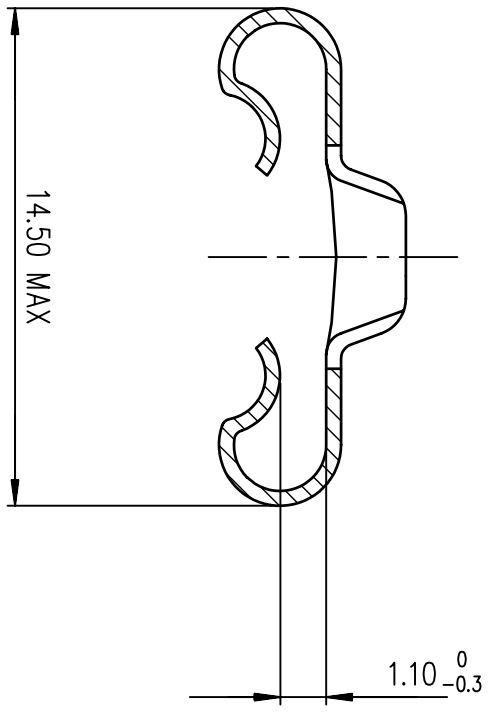
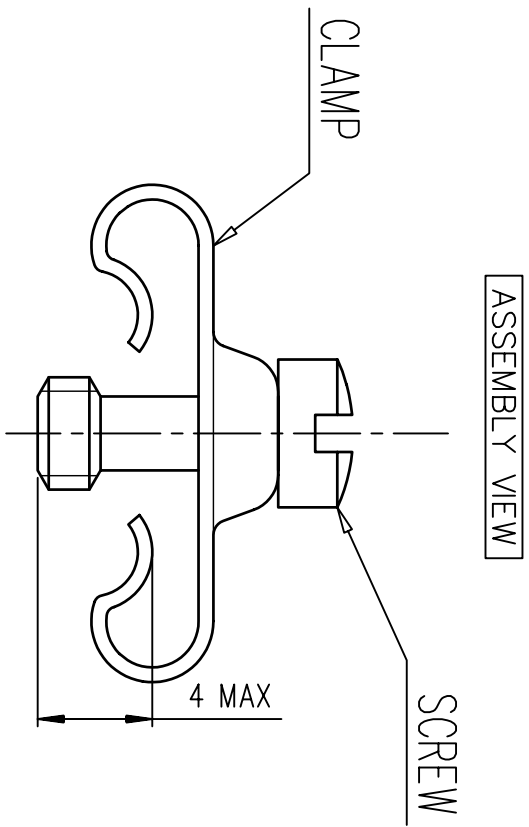
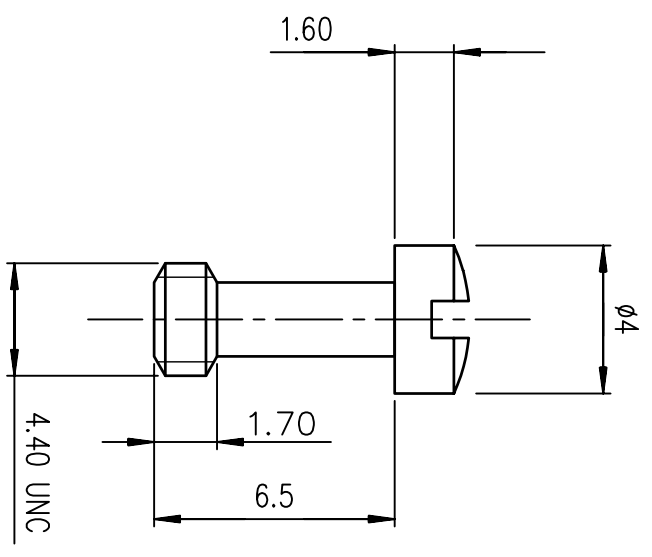


**NOTES**  
 Pieces assembly  
 Packaging : per 100 pieces  
 Material : steel  
 Plating : tin plated  
 Thread : UNC 4.40



**NOTE:ROHS INFORMATIONS**  
 - The "LF" products meet European union Directives and other country regulations as described in GS-22-008.  
 - Plating Sn (pure bright ) over copper  
 - Packaging spec: see GS-14-920

rev	ecn no	dr	date
A	-	JOU	2000/03/09
B	LS05-0026	MPE	2005/07/08
C	LS06-0097	LGO	2006/07/28
D	LS09-0006	PCR	2009/01/08
E	I11-0022	AMR	2011/01/25
F	ELX-H-01686	PK	2012/05/09
G	ELX-H-01686	PK	2012/05/21

Part number **863005ATLF**

www.fciconnect.com		surface ISO 1302	tolerance std ISO 406 ISO 1101	projection	Scale
Dr	JOUBERT	ANGULAR	0.X	A3	5
Eng	PESSON	LINEAR	0.XX	ECN	ELX-H-011686
Chr	ABHILASH	0.XX ± 2	0.XXX	Product family	D-SUB
Appr	SUDHIR	2011/01/25	2011/01/25	Spec ref	-
FCI		MALE SCREWLOCK FOR HOUSINGS		C01-8655-1535	
catalog no		9 TO 25 Pts (P ET S)		CUSTOMER sheet 1 of 1	