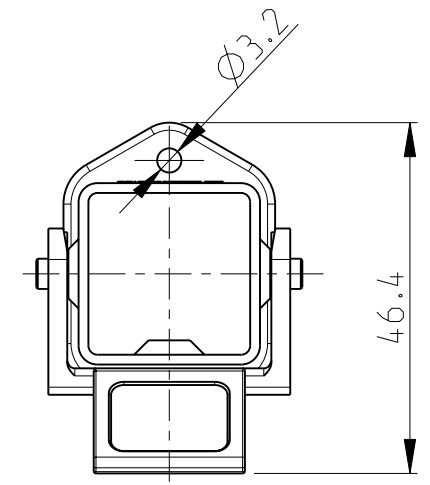
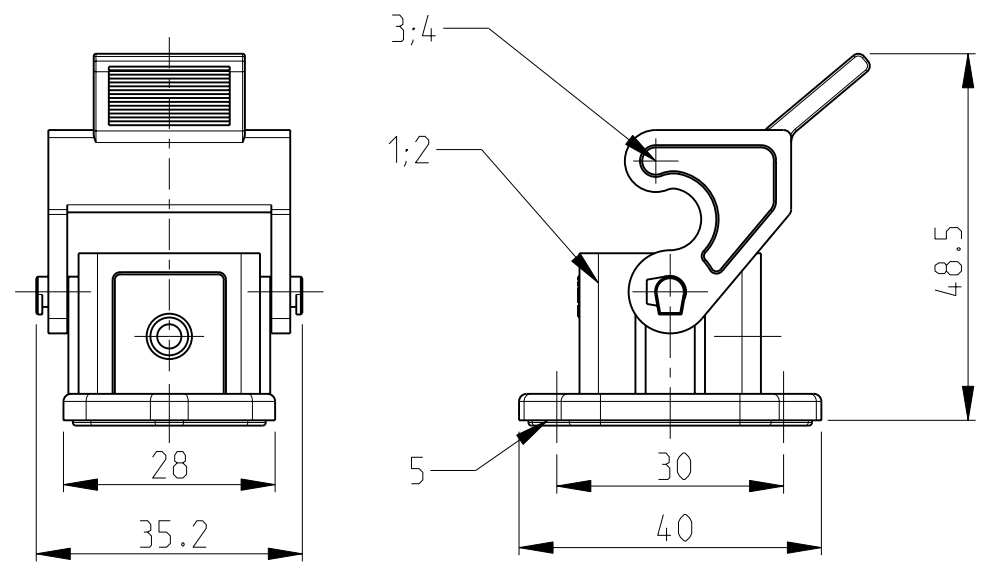
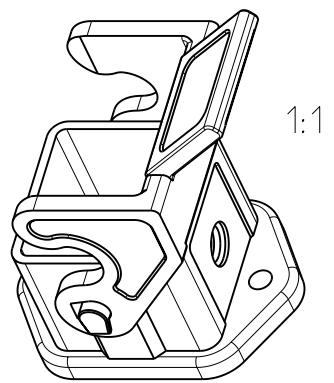
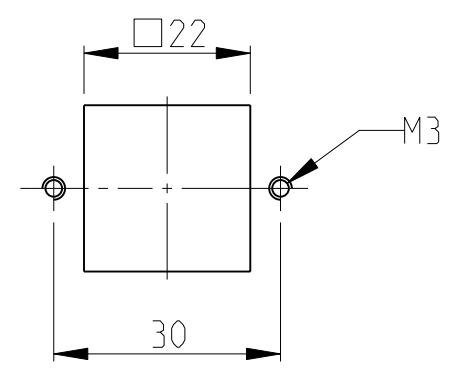


THIS DRAWING IS UNPUBLISHED. RELEASED FOR PUBLICATION 2008
 © COPYRIGHT 2008 BY TYCO ELECTRONICS CORPORATION. ALL RIGHTS RESERVED.

LOC	DIST	REVISIONS					
		P	LTR	DESCRIPTION	DATE	DWN	APVD
A1	-		A1	NEW DRAWN	18.06.08	SM	ST



Panel cut-out




Notes

- 1 SUITABLE INSERT: SERIES HA.3/4; HD.7/8; HN.D.7/8; HE-Q.5{
- 2 STANDARDS:
DIN EN 61984, DIN EN 60664-1
- 3 TOLERANCES UNLESS OTHERWISE SPECIFIED:
n. ISO 8015
n. ISO 2768-mH-E
n. DIN 16901
- 4 PACKAGING:
10 SETS IN A CARTON, PRE-MOUNTED

QTY	POS.	DESCRIPTION	MATERIAL	COLOR	NOTE	ITEM NO. POS.
1	1	FLANGE MOUNTED SEAL	NBR	BLACK	CONDUCTIVE	5
1		SIDE CLIP	PBT-GF25	BLACK		4
	1	SIDE CLIP	PBT-GF30	LIGHT-GREY		3
1		SURFACE MOUNTED HOUSING	PBT-GF25	BLACK		2
	1	SURFACE MOUNTED HOUSING	PBT-GF30	LIGHT-GREY		1
0-2	0-1					
		DESCRIPTION	MATERIAL	COLOR	NOTE	ITEM NO. POS.
		HG-Q.5.AG				
		HG-Q.5.AG.BL				

<small>THIS DRAWING IS A CONTROLLED DOCUMENT FOR TYCO ELECTRONICS CORPORATION IT IS SUBJECT TO CHANGE AND THE CONTROLLING ENGINEERING ORGANIZATION SHOULD BE CONTACTED FOR THE LATEST REVISION.</small>		DWN M. Schweiger 18.06.08 CHK Th. Schnurpfeil 18.06.08 APVD - PRODUCT SPEC - APPLICATION SPEC - WEIGHT 109g	Tyco Electronics Tyco Electronics AMP GmbH 53819 Neunkirchen (Germany)
DIMENSIONS: mm 	TOLERANCES UNLESS OTHERWISE SPECIFIED: 0 PLC ± 1 PLC ± 2 PLC ± 3 PLC ± 4 PLC ± ANGLES ±1° FINISH -	NAME SURFACE MOUNTED HOUSING HG-Q.5.AG	SIZE A3 CAGE CODE 00779 DRAWING NO. 1103171 RESTRICTED TO -
MATERIAL -		CUSTOMER DRAWING	SCALE 1:1 SHEET 1 OF 1 REV A1

Notes

- 1 CONTACT: X TO Y
SUITABLE CRIMP CONTACTS: SERIES X
CUSTOMER DRAWING: 110XXXX
OUTER DIMENSIONS OF INSULATION: MAX. \varnothing XX MM
- 2 SUITABLE CRIMP CONTACTS: SERIES X
CUSTOMER DRAWING: 110XXXX
OUTER DIMENSIONS OF INSULATION: MAX. \varnothing XX MM
- 3 SIGNAL CONTACT: X AND Y
SUITABLE CRIMP CONTACTS: SERIES X
CUSTOMER DRAWING: 110XXXX
OUTER DIMENSIONS OF INSULATION: MAX. \varnothing XX MM
- 4 GROUNDING CONTACT:
SUITABLE CRIMP CONTACTS: SERIES X
CUSTOMER DRAWING: 110XXXX
OUTER DIMENSIONS OF INSULATION: MAX. \varnothing XX MM
- 5 SUITABLE HOOD: SERIES X
- 6 SUITABLE MODULE FIXING FRAME: SERIES HVS
CUSTOMER DRAWING: 1103250
- 7 SUITABLE INSERTION TOOL:
CUSTOMER DRAWING: 110XXXX
- 8 SUITABLE EXTRACTION TOOL:
CUSTOMER DRAWING: 100XXXX
-  9 STANDARDS:
DIN EN 61984, DIN EN 60664-1
- 10 POLARIZATION RIPS
- 11 MARKING OF POLARIZATION ACCORDING MARKING OF
MODULE FRAME
- 12 AUTHORISATION; UL; CSA; VDE; SEV
- 13 PACKAGING:
10 SETS IN A CARTON, PRE-MOUNTED