

1

2

3

4

5

6

7

A

B

C

D

E

F

G

H

A

B

C

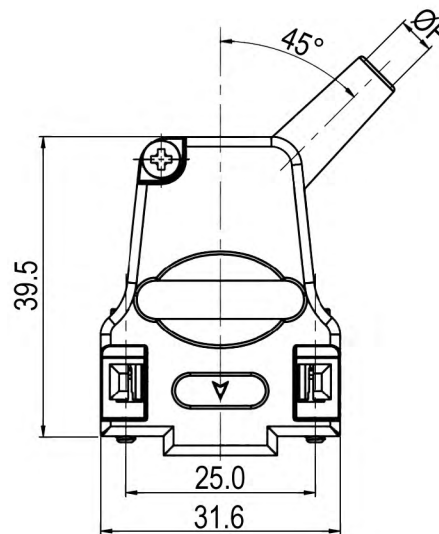
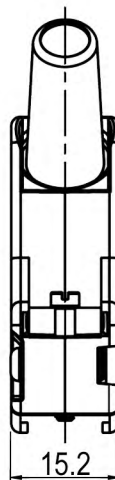
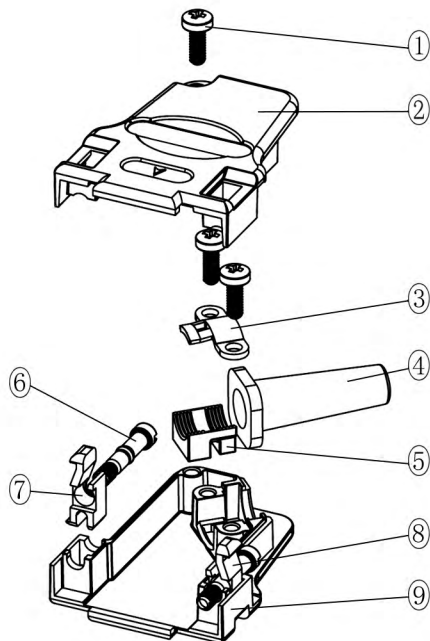
D

E

F

G

H



TECHNICAL SPECIFICATIONS

Material: Zinc
 Plating: Nickel
 Operating Temperature: -25°C to +90°C
 Thumbscrews: UNC 4-40

Max cable ØF:
 With Rubber Grommet: 6.5mm
 W/O Rubber Grommet: 9.5mm

No. of contacts: 09-15-25-37

Item	QTY	Part description
1	3	Screw
2	1	Upper Cover
3	1	Cable clamp
4	1	Rubber grommet
5	1	Plastic Insert
6	2	Jackscrew UNC4-40
7	1	Latch-1
8	1	Latch-2
9	1	Lower Cover

RoHS compliant
 Unit: mm

Scale	Free				Date	Name	Customer-No.	
TOLERANCE					Drawn	17.08.2017	S.Bölling	
0~6	±0.10				Approved	17.08.2017	S.Bölling	
6~30	±0.20							
30~120	±0.30							
120~400	±0.50							
DIM	Tol							
Angle	±1°	©	Drawn	17.08.2017				S.Bölling
Angle	Tol	Id.	Modification	Date				Name

Customer-No.
 ASSMANN WSW-No.
ACOV-SUB-09MB43

Drawing-No.
ASS_5284_CO rev00
 Replace
 Sheet 1/4

1

2

3

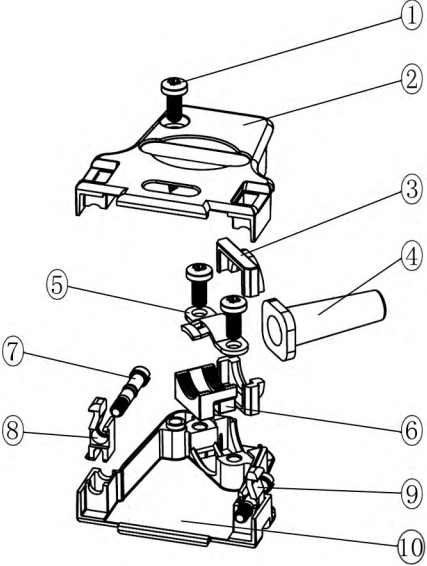
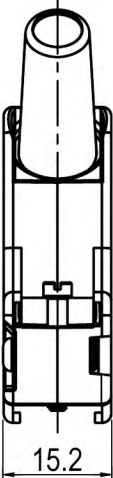
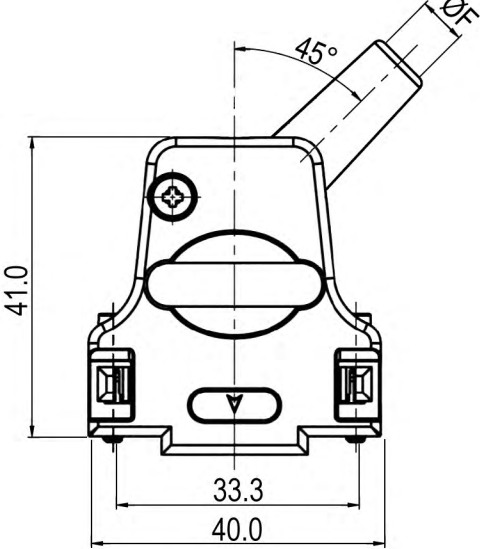
4

5

6

7

SV4382

	1	2	3	4	5	6	7																																																																																										
A	   <p>TECHNICAL SPECIFICATIONS</p> <p>Material: Zinc Plating: Nickel Operating Temperature: -25°C to +90°C Thumbscrews: UNC 4-40</p> <p>Max cable ØF: With Rubber Grommet: 6.5mm W/O Rubber Grommet: 12.5mm</p> <p>No. of contacts: 09-15-25-37</p>							A																																																																																									
B								B																																																																																									
C								C																																																																																									
D								D																																																																																									
E	<table border="1"> <thead> <tr> <th>Item</th> <th>QTY</th> <th>Part description</th> </tr> </thead> <tbody> <tr> <td>1</td> <td>3</td> <td>Screw</td> </tr> <tr> <td>2</td> <td>1</td> <td>Upper Cover</td> </tr> <tr> <td>3</td> <td>2</td> <td>Reduction plate</td> </tr> <tr> <td>4</td> <td>1</td> <td>Rubber grommet</td> </tr> <tr> <td>5</td> <td>1</td> <td>Cable clamp</td> </tr> <tr> <td>6</td> <td>1</td> <td>Plastic Insert</td> </tr> <tr> <td>7</td> <td>2</td> <td>Jackscrew UNC4-40</td> </tr> <tr> <td>8</td> <td>1</td> <td>Latch-1</td> </tr> <tr> <td>9</td> <td>1</td> <td>Latch-2</td> </tr> <tr> <td>10</td> <td>1</td> <td>Lower Cover</td> </tr> </tbody> </table>							Item	QTY	Part description	1	3	Screw	2	1	Upper Cover	3	2	Reduction plate	4	1	Rubber grommet	5	1	Cable clamp	6	1	Plastic Insert	7	2	Jackscrew UNC4-40	8	1	Latch-1	9	1	Latch-2	10	1	Lower Cover	E																																																								
Item	QTY	Part description																																																																																															
1	3	Screw																																																																																															
2	1	Upper Cover																																																																																															
3	2	Reduction plate																																																																																															
4	1	Rubber grommet																																																																																															
5	1	Cable clamp																																																																																															
6	1	Plastic Insert																																																																																															
7	2	Jackscrew UNC4-40																																																																																															
8	1	Latch-1																																																																																															
9	1	Latch-2																																																																																															
10	1	Lower Cover																																																																																															
F	<p>RoHS compliant Unit: mm</p> <table border="1"> <thead> <tr> <th>Scale</th> <th>Free</th> <th></th> <th></th> <th></th> <th></th> <th>Date</th> <th>Name</th> <th>Customer-No.</th> </tr> </thead> <tbody> <tr> <td colspan="2">TOLERANCE</td> <td></td> <td></td> <td></td> <td></td> <td>Drawn</td> <td>17.08.2017</td> <td>S.Bölling</td> <td rowspan="4">ASSMANN WSW-No. ACOV-SUB-15MB43</td> </tr> <tr> <td>0~6</td> <td>±0.10</td> <td></td> <td></td> <td></td> <td></td> <td>Approved</td> <td>17.08.2017</td> <td>S.Bölling</td> </tr> <tr> <td>6~30</td> <td>±0.20</td> <td></td> <td></td> <td></td> <td></td> <td></td> <td></td> <td></td> </tr> <tr> <td>30~120</td> <td>±0.30</td> <td></td> <td></td> <td></td> <td></td> <td></td> <td></td> <td></td> </tr> <tr> <td>120~400</td> <td>±0.50</td> <td></td> <td></td> <td></td> <td></td> <td></td> <td></td> <td></td> <td>Drawing-No.</td> </tr> <tr> <td>DIM</td> <td>Tol</td> <td></td> <td></td> <td></td> <td></td> <td></td> <td></td> <td></td> <td>ASS_5284_CO</td> <td>rev00</td> </tr> <tr> <td>Angle</td> <td>±1°</td> <td>©</td> <td>Drawn</td> <td></td> <td>17.08.2017</td> <td>S.Bölling</td> <td colspan="2">ASSMANN WSW components</td> <td>Replace</td> <td>Sheet 2/4</td> </tr> <tr> <td>Angle</td> <td>Tol</td> <td>Id.</td> <td>Modification</td> <td></td> <td>Date</td> <td>Name</td> <td colspan="4"></td> </tr> </tbody> </table>							Scale	Free					Date	Name	Customer-No.	TOLERANCE						Drawn	17.08.2017	S.Bölling	ASSMANN WSW-No. ACOV-SUB-15MB43	0~6	±0.10					Approved	17.08.2017	S.Bölling	6~30	±0.20								30~120	±0.30								120~400	±0.50								Drawing-No.	DIM	Tol								ASS_5284_CO	rev00	Angle	±1°	©	Drawn		17.08.2017	S.Bölling	ASSMANN WSW components		Replace	Sheet 2/4	Angle	Tol	Id.	Modification		Date	Name					F
Scale	Free					Date	Name	Customer-No.																																																																																									
TOLERANCE						Drawn	17.08.2017	S.Bölling	ASSMANN WSW-No. ACOV-SUB-15MB43																																																																																								
0~6	±0.10					Approved	17.08.2017	S.Bölling																																																																																									
6~30	±0.20																																																																																																
30~120	±0.30																																																																																																
120~400	±0.50								Drawing-No.																																																																																								
DIM	Tol								ASS_5284_CO	rev00																																																																																							
Angle	±1°	©	Drawn		17.08.2017	S.Bölling	ASSMANN WSW components		Replace	Sheet 2/4																																																																																							
Angle	Tol	Id.	Modification		Date	Name																																																																																											
G								G																																																																																									
H								H																																																																																									
	1	2	3	4	5	6	7	SV4382																																																																																									

	1	2	3	4	5	6	7																																																																																		
A							<p>TECHNICAL SPECIFICATIONS</p> <p>Material: Zinc Plating: Nickel Operating Temperature: -25°C to +90°C Thumbscrews: UNC 4-40</p> <p>Max cable ØF: With Rubber Grommet: 8mm W/O Rubber Grommet: 12.5mm</p> <p>No. of contacts: 09-15-25-37</p>		A																																																																																
B									B																																																																																
C									C																																																																																
D									D																																																																																
E									E																																																																																
F	<table border="1"> <thead> <tr> <th>Item</th> <th>QTY</th> <th>Part description</th> </tr> </thead> <tbody> <tr> <td>1</td> <td>3</td> <td>Screw</td> </tr> <tr> <td>2</td> <td>1</td> <td>Upper Cover</td> </tr> <tr> <td>3</td> <td>2</td> <td>Reduction plate</td> </tr> <tr> <td>4</td> <td>1</td> <td>Rubber grommet</td> </tr> <tr> <td>5</td> <td>1</td> <td>Cable clamp</td> </tr> <tr> <td>6</td> <td>1</td> <td>Plastic Insert</td> </tr> <tr> <td>7</td> <td>2</td> <td>Jackscrew UNC4-40</td> </tr> <tr> <td>8</td> <td>1</td> <td>Latch-1</td> </tr> <tr> <td>9</td> <td>1</td> <td>Latch-2</td> </tr> <tr> <td>10</td> <td>1</td> <td>Lower Cover</td> </tr> </tbody> </table>						Item	QTY	Part description	1	3	Screw	2	1	Upper Cover	3	2	Reduction plate	4	1	Rubber grommet	5	1	Cable clamp	6	1	Plastic Insert	7	2	Jackscrew UNC4-40	8	1	Latch-1	9	1	Latch-2	10	1	Lower Cover	F																																																	
Item	QTY	Part description																																																																																							
1	3	Screw																																																																																							
2	1	Upper Cover																																																																																							
3	2	Reduction plate																																																																																							
4	1	Rubber grommet																																																																																							
5	1	Cable clamp																																																																																							
6	1	Plastic Insert																																																																																							
7	2	Jackscrew UNC4-40																																																																																							
8	1	Latch-1																																																																																							
9	1	Latch-2																																																																																							
10	1	Lower Cover																																																																																							
G	<p>RoHS compliant Unit: mm</p> <table border="1"> <thead> <tr> <th>Scale</th> <th>Free</th> <th></th> <th></th> <th></th> <th></th> <th>Date</th> <th>Name</th> <th>Customer-No.</th> </tr> </thead> <tbody> <tr> <td colspan="2">TOLERANCE</td> <td></td> <td></td> <td></td> <td></td> <td>Drawn</td> <td>17.08.2017</td> <td>S.Bölling</td> <td rowspan="4">ASSMANN WSW-No. ACOV-SUB-25MB43</td> </tr> <tr> <td>0~6</td> <td>±0.10</td> <td></td> <td></td> <td></td> <td></td> <td>Approved</td> <td>17.08.2017</td> <td>S.Bölling</td> </tr> <tr> <td>6~30</td> <td>±0.20</td> <td></td> <td></td> <td></td> <td></td> <td></td> <td></td> <td></td> </tr> <tr> <td>30~120</td> <td>±0.30</td> <td></td> <td></td> <td></td> <td></td> <td></td> <td></td> <td></td> </tr> <tr> <td>120~400</td> <td>±0.50</td> <td></td> <td></td> <td></td> <td></td> <td></td> <td></td> <td></td> <td>Drawing-No.</td> </tr> <tr> <td>DIM</td> <td>Tol</td> <td></td> <td></td> <td></td> <td></td> <td colspan="2" rowspan="3"> </td> <td>ASS_5284_CO</td> <td>rev00</td> </tr> <tr> <td>Angle</td> <td>±1°</td> <td>©</td> <td>Drawn</td> <td>17.08.2017</td> <td>S.Bölling</td> <td>Replace</td> <td>Sheet 3/4</td> </tr> <tr> <td>Angle</td> <td>Tol</td> <td>Id.</td> <td>Modification</td> <td>Date</td> <td>Name</td> <td></td> <td></td> </tr> </tbody> </table>						Scale	Free					Date	Name	Customer-No.	TOLERANCE						Drawn	17.08.2017	S.Bölling	ASSMANN WSW-No. ACOV-SUB-25MB43	0~6	±0.10					Approved	17.08.2017	S.Bölling	6~30	±0.20								30~120	±0.30								120~400	±0.50								Drawing-No.	DIM	Tol							ASS_5284_CO	rev00	Angle	±1°	©	Drawn	17.08.2017	S.Bölling	Replace	Sheet 3/4	Angle	Tol	Id.	Modification	Date	Name			G
Scale	Free					Date	Name	Customer-No.																																																																																	
TOLERANCE						Drawn	17.08.2017	S.Bölling	ASSMANN WSW-No. ACOV-SUB-25MB43																																																																																
0~6	±0.10					Approved	17.08.2017	S.Bölling																																																																																	
6~30	±0.20																																																																																								
30~120	±0.30																																																																																								
120~400	±0.50								Drawing-No.																																																																																
DIM	Tol							ASS_5284_CO	rev00																																																																																
Angle	±1°	©	Drawn	17.08.2017	S.Bölling			Replace	Sheet 3/4																																																																																
Angle	Tol	Id.	Modification	Date	Name																																																																																				
H							<p>ASS_5284_CO rev00</p> <p>Replace Sheet 3/4</p>		H																																																																																
	1	2	3	4	5	6	7	SV4382																																																																																	

1

2

3

4

5

6

7

A

A

B

B

C

C

D

D

E

E

F

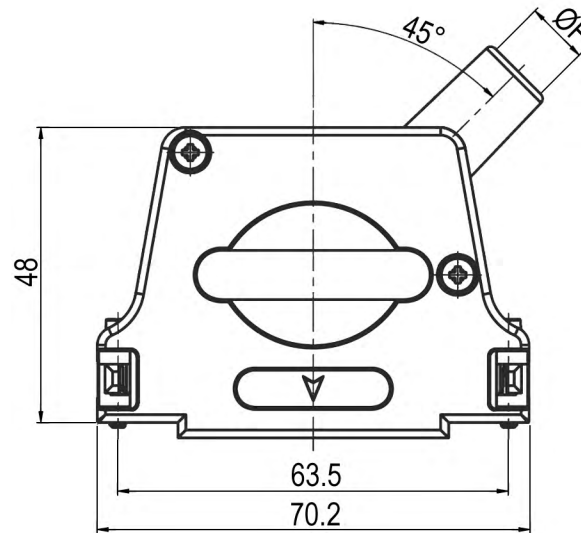
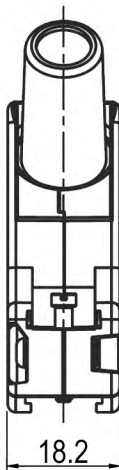
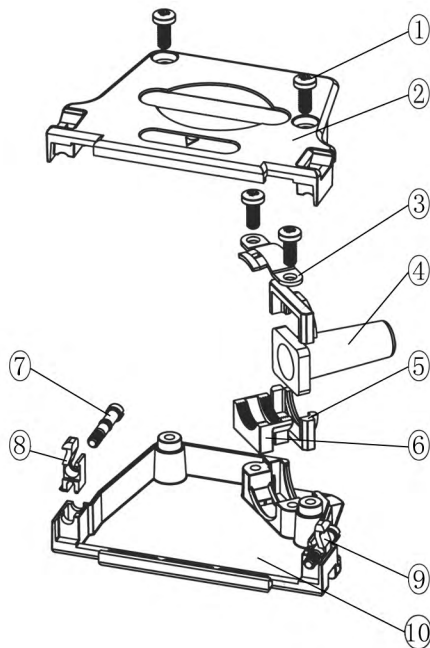
F

G

G

H

H



TECHNICAL SPECIFICATIONS

Material: Zinc
 Plating: Nickel
 Operating Temperature: -25°C to +90°C
 Thumbscrews: UNC 4-40

Max cable ØF:
 With Rubber Grommet: 9mm
 W/O Rubber Grommet: 15mm

No. of contacts: 09-15-25-37

Item	QTY	Part description
1	4	Screw
2	1	Upper Cover
3	1	Cable clamp
4	1	Rubber grommet
5	2	Reduction plate
6	1	Plastic Insert
7	2	Jackscrew UNC4-40
8	1	Latch-1
9	1	Latch-2
10	1	Lower Cover

RoHS compliant
 Unit: mm

Scale	Free					Date	Name	Customer-No.
TOLERANCE						Drawn	17.08.2017	S.Bölling
0~6	±0.10					Approved	17.08.2017	S.Bölling
6~30	±0.20							
30~120	±0.30							
120~400	±0.50							
DIM	Tol							
Angle	±1°	©	Drawn	17.08.2017	S.Bölling			
Angle	Tol	Id.	Modification	Date	Name			

Customer-No.
 ASSMANN WSW-No.
ACOV-SUB-37MB43

Drawing-No.
ASS_5284_CO rev00
 Replace
 Sheet 4/4

1

2

3

4

5

6

7

SV4382