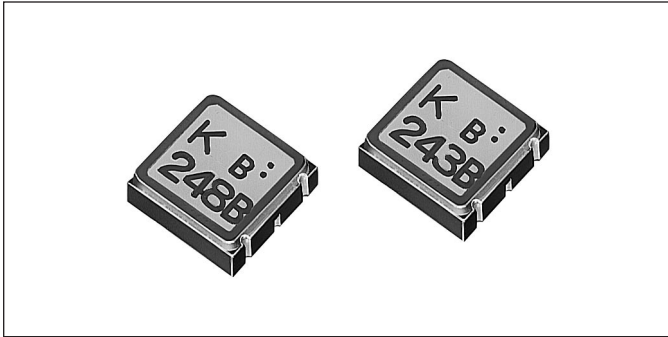


Surface Acoustic Wave Filters



PAFC Series



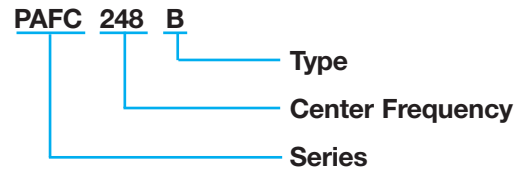
FEATURES

- Small and low profile
- Ceramic package type
- Flat pass band characteristics
- Low insertion loss
- Circuit simplification

APPLICATIONS

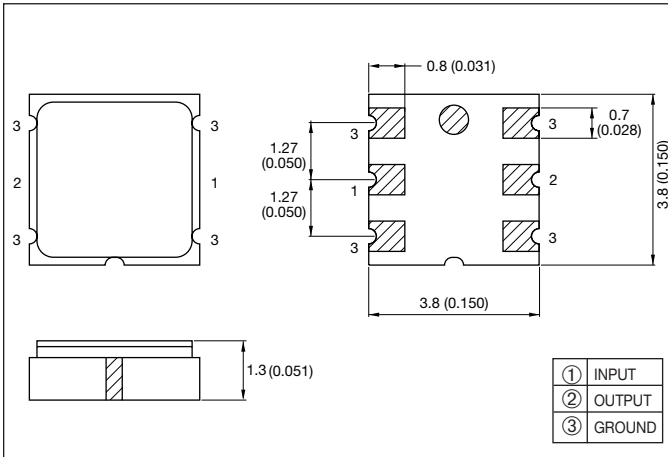
- PHS

HOW TO ORDER

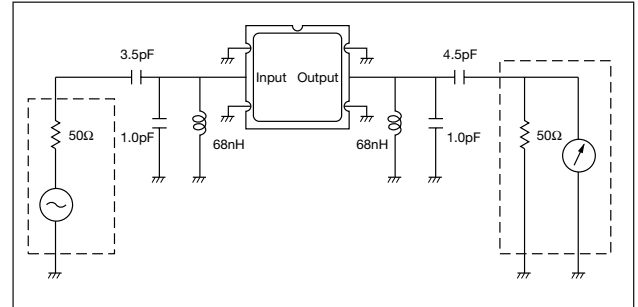


DIMENSIONS

millimeters (inches)



TEST CIRCUIT



SPECIFICATIONS

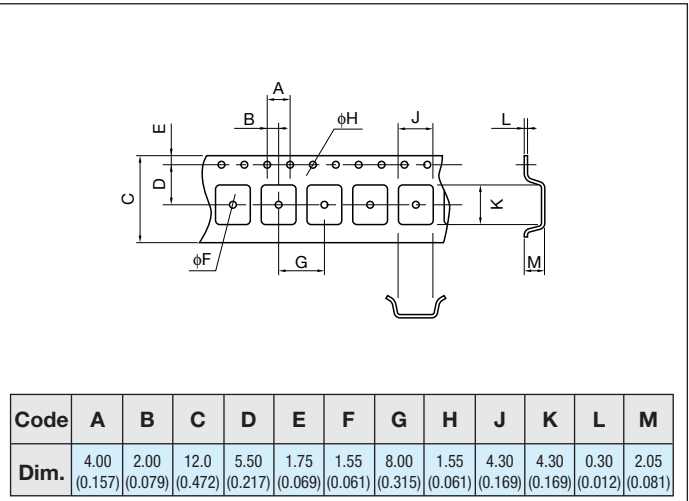
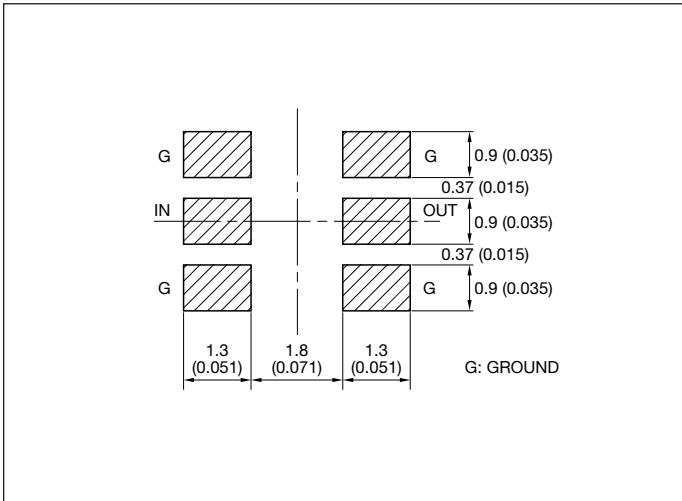
Part Number	Normal Center Frequency (Fn)	Insertion Loss	Pass Band Width (at 3dB)	Stop Band Attenuation			Ripple (fn±110kHz)	Group Delay Time (fn±110kHz)	Operating Temperature
				fn±600kHz	fn±1.2kHz	fn±faMHz*			
PAFC248B	248.45MHz	4.0dB max.	±130kHz min.	30dB min.	40dB min.	60dB min.	1.5dB max..	1.2μs max.	-10 to 60°C
PAFC243B	243.95MHz	4.0dB max.	±130kHz min.	30dB min.	40dB min.	60dB min.	1.5dB max..	1.2μs max.	-10 to 60°C

Recommended Land Pattern

millimeters (inches)

Taping Dimension

millimeters (inches)

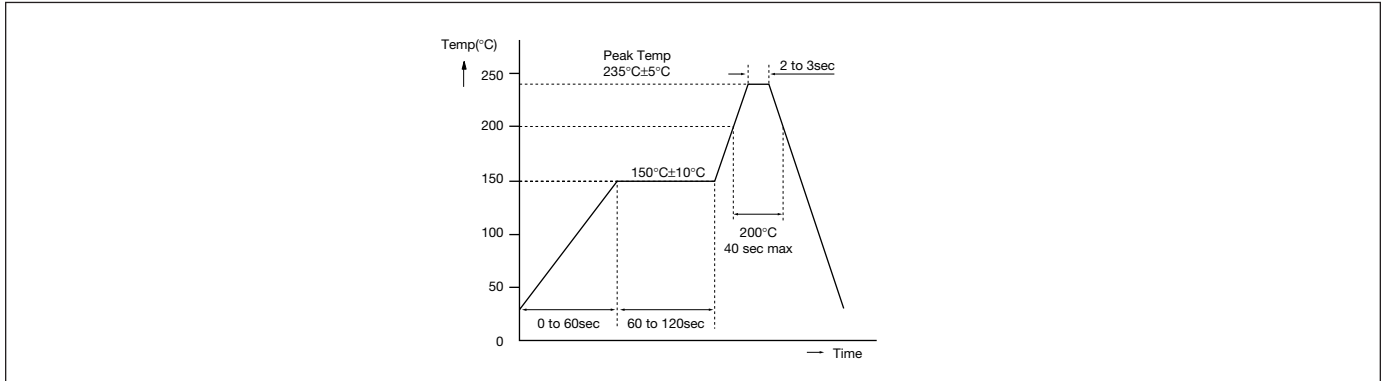


Surface Acoustic Wave Filters



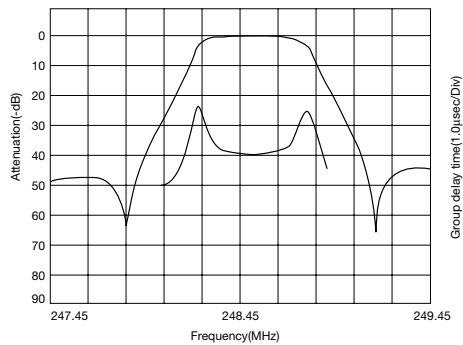
PAFC Series

RECOMMENDED TEMPERATURE PROFILE IR REFLOW

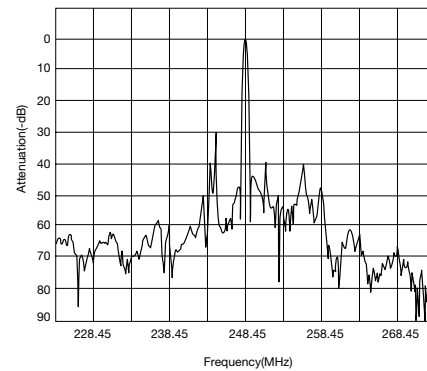


CHARACTERISTICS

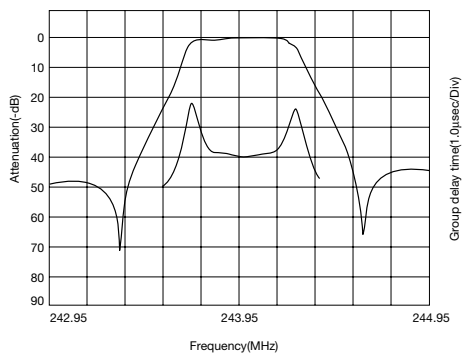
PAFC248A Pass Band Characteristics



PAFC248A Spurious Characteristics



PAFC243B Pass Band Characteristics



PAFC243B Spurious Characteristics

