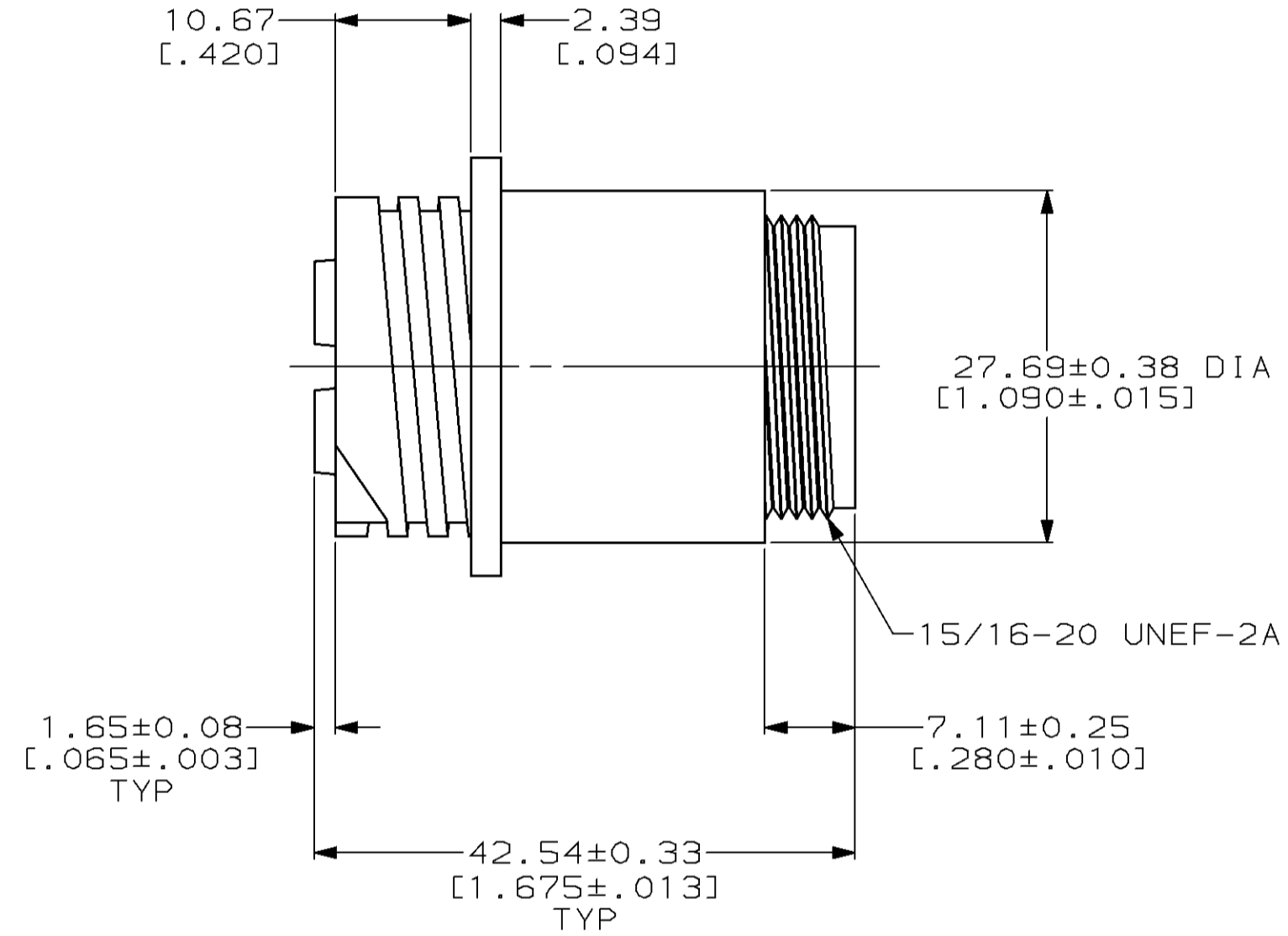
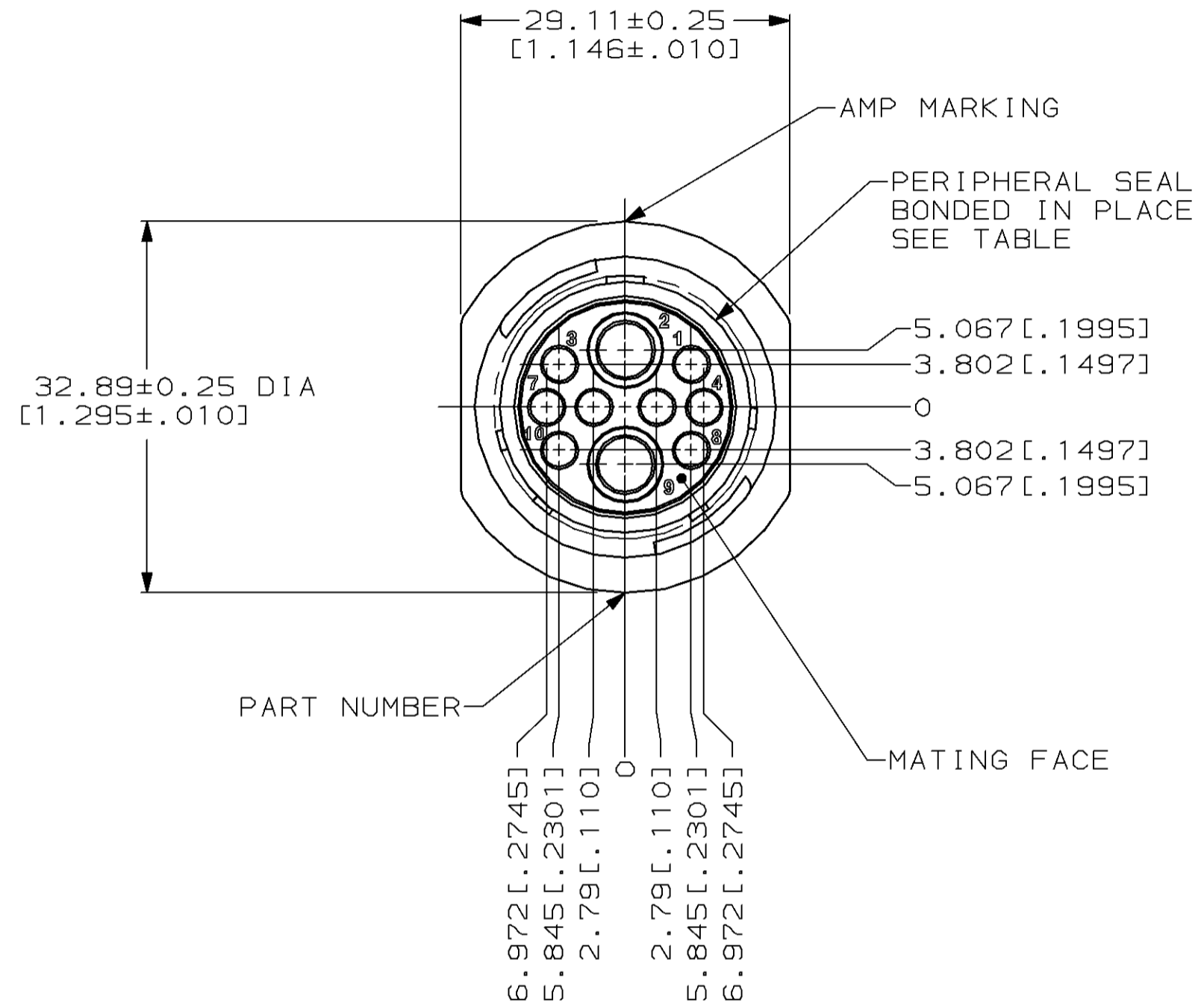


THIS DRAWING IS UNPUBLISHED. RELEASED FOR PUBLICATION
 BY AMP INCORPORATED. ALL RIGHTS RESERVED.

| LOC | DIST | REVISIONS | | | | | |
|-----|------|-----------|-----|---|-----------|-----|------|
| | | P | LTR | DESCRIPTION | DATE | DWN | APVD |
| BD | 35 | | | RELEASED -1 PER NPR 5370, WAS 95-7970-20 | 06/27/95 | - | - |
| | | A | | ADDED -2 AND REVISED PER EC 0020-900-95 | 15 SEP 95 | DH | AF |
| | | B | | REV PER EC 0020-463-96 | 16 MAY 96 | CR | AF |



| | |
|-----------------|-------------|
| YES | 213894-2 |
| NO | 213894-1 |
| PERIPHERAL SEAL | PART NUMBER |

| | | | |
|---|--|-------------------------------|--|
| THIS DRAWING IS A CONTROLLED DOCUMENT FOR AMP INCORPORATED. IT IS SUBJECT TO CHANGE AND THE CONTROLLING ENGINEERING ORGANIZATION SHOULD BE CONTACTED FOR THE LATEST REVISION. | | DWN D.HARDY 06/27/95 | AMP Incorporated Harrisburg, PA 17105-3608 |
| DIMENSIONS: mm [INCHES] | | CHK R.STONE 06/29/95 | |
| TOLERANCES UNLESS OTHERWISE SPECIFIED: 0 PLC ±- 1 PLC ±- 2 PLC ±0.13 [.005] 3 PLC ±0.013 [.0005] 4 PLC ±- ANGLES ±- FINISH - | | APVD A.FRANTUM 06/29/95 | NAME RECEPTACLE HOUSING, REVERSE SEX, SERIES 6, 17-10, CIRCULAR PLASTIC CONNECTOR |
| MATERIAL NYLON, BLACK | | PRODUCT SPEC 108-1579 | SIZE A2 |
| | | APPLICATION SPEC - | CAGE CODE 00779 |
| | | WEIGHT - | DRAWING NO C-213894 |
| | | CUSTOMER DRAWING | SCALE 2:1 |
| | | | SHEET 1 OF 1 |
| | | | REV B |

213894