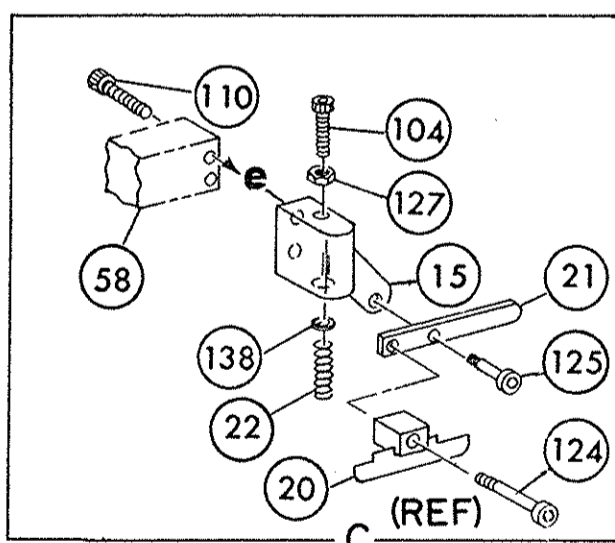


NOTES:

- 1. ONLY THE ITEMS WITH QUANTITIES SPECIFIED ON PARTS LIST ARE USED ON THIS APPLICATOR.
- △ USED IN PLACE OF ITEM 38 WHEN INSULATION CRIMP IS NOT USED.
- ▲ GUARD MUST BE IN PLACE WHEN OPERATING APPLICATOR IN AMP-O-LECTRIC PRESS.
- 4. PARTS WITH QTY. OF REF. SPECIFIED (EXCEPT ITEM 79) ARE USED ON ITEM 32.

KEY:

- RECOMMENDED SPARE PARTS.
- ▲ LUBRICATE DAILY USING NO. 20 MACHINE OIL.
- GREASE LIGHTLY.



ALTERNATE DRAG METHOD

BTN HD SKT CAP SCR 3/8-16 X.75 (REF)

REF.	QTY	PART NO	DESCRIPTION	ITEM NO
21045-3	145	RING, RETAINING 'C' (.187 DIA) FEED PIN		145
5-21028-1	143	PIN, SLOT SPG (.12 DIA X .50) FD ADJ ROD		143
1-21030-7	141	PIN, DOWEL (.187 DIA X 1.50) HOUSING		141
1-21030-1	140	PIN, DOWEL (.187 DIA X .50) LEVER		140
22260-5	138	WASHER, FLAT (NO 6) DRAG SPRING		138
21899-4	137	WASHER, FLAT (5/16 DIA) SCR ADJ		137
21024-5	135	WASHER, LOCK (NO 10) FEED ADJ PLATE		135
21024-5	134	WASHER, LOCK (NO 10) SHEAR PLATES		134
21024-5	133	WASHER, LOCK (NO 10) FEED ROD GUIDE		133
21024-4	132	WASHER, LOCK (NO 8) STRIP GUIDE		132
21024-4	131	WASHER, LOCK (NO 8) SHEAR BLADE		131
21018-4	130	NUT, HEX MACH (4-40) DRAG		130
21068-5	129	NUT, HEX MACH (6-32) FD ADJ PLATE		129
21018-7	127	NUT, HEX MACH (10-32) DRAG SPRING		127
21022-2	126	NUT, HEX SELF-LKG (8-32) DRAG STUD		126
5-21004-7	125	SCR, SKT HD SHLD (250 DIA X .25) DRAG ARM		125
21004-5	124	SCR, SKT HD SHLD (250 DIA X 1.00) DRAG		124
4-21078-8	123	SCR, SKT SET OVAL POINT (4-40 X .75) DRAG		123
21009-2	122	SCR, SKT SET (1/4-20 X 25) (LOC-WEL) RAM		122
21017-2	121	DRIVE SCR (#2 X .19)		121
1-21002-7	120	SCR, BTN, HD SKT CAP (6-32 X .38) CAM		120
461264-1	119	PLATE IDENTIFICATION		119
3-21064-2	118	SCR, RD HD MACH (6-32 X 1.50) FEED ADJ		118
2-21002-2	117	SCR, BTN HD SKT CAP (8-32 X .50) STRIPPER		117
2-21002-9	115	SCR, BTN HD SKT CAP (10-32 X .75) HSG CAP		115
22733-8	114	SCR, BTN HD SKT CAP (8-32 X .38) (LOC-WEL) ANVIL		114
3-21002-3	113	SCR, BTN HD SKT CAP (1/4-20 X .50) STR GDE PL		113
2-22733-9	112	SCR, BTN HD SKT CAP (1/4-20 X .75) BASE PL		112
2-21000-4	111	SCR, SKT HD CAP (6-32 X 1.00) DRAG ADAPTOR		111
23030-1	109	SCR, SKT HD CAP (6-32 X .25) (LOC-WEL) CP DISC		109
2-21000-6	108	SCR, SKT HD CAP (8-32 X .38) SHEAR BLADE		108
2-21000-6	107	SCR, SKT HD CAP (8-32 X .38) STRIP GUIDE		107
2-21000-9	106	SCR, SKT HD CAP (8-32 X .75) STRIP GUIDE		106
3-21000-7	105	SCR, SKT HD CAP (10-32 X .75) FD ROD GUIDE		105
3-21000-9	104	SCR, SKT HD CAP (10-32 X 1.00) DRAG SPRING		104
3-21000-6	103	SCR, SKT HD CAP (10-32 X .62) FD ADJ PLATE		103
3-21000-4	102	SCR, SKT HD CAP (10-32 X .38) PIVOT BLK		102
3-21000-8	101	SCR, SKT HD CAP (10-32 X .88) SHEAR PLATE		101
455745-1	79	GUARD, WINDOW		79
465184-9	78	LUBRICATOR ASSY		78
455985-1	77	OIL, LUBRICATING		77
454406-1	76	SPACER, LUB BRACKET		76
458109-1	75	WASHER, FLAT (SPECIAL)		75
690603-1	74	SPRING, ASSIST		74
690517-1	73	SPACER		73
22594-8	72	NUT, HEX		72
240628-1	71	PLATE, ADJ		71
240626-1	70	SHAFT, PIVOT		70
240633-1	69	BUSHING		69
455680-1	68	LEVER, INTERMEDIATE		68
240629-1	67	BLOCK, PIVOT		67
240632-2	66	SCREW, ADJ		66
240659-3	65	PIN, CAM ROLLER		65
240658-1	64	CAM, ROLLER		64
454398-1	63	ROD, FEED		63
454220-1	62	CAP, RAM		62
453736-1	61	HOUSING		61
240624-1	60	PIN, FEED FINGER		60
691499-1	59	SPRING, FEED FINGER		59
240635-1	58	FINGER, FEED		58
240634-1	57	LEVER, TERMINAL		57
7-21002-9	56	BOLT, CRIMPER		56
690501-4	55	CAM, POST FEED 1 5/8 STROKE		55
690191-1	54	PLUG, NYLON		54
455674-1	53	RAM		53
690125-1	52	WASHER, LAMINATED		52
690124-1	51	WASHER, RAM		51
23241-6	50	SPACER, DISC		50
690170-1	49	BALL, STEEL		49
690142-1	48	SPRING, COMPRESSION		48
690141-4	47	DISC, INSULATION		47
22480-5	46	DISC, WIRE		46
690212-1	45	WASHER, SPRING		45
458980-1	44	POST, RAM		44
3-690451-2	43	APPLICATOR, BASIC (SUB ASSY)		43
240639-1	42	SPACER, STRIPPER		42
455676-1	41	STRIPPER		41
22354-8	40	PLATE, BASE		40
455678-1	39	DRAG, STUD		39
240825-2	38	PLATE, STRIP GUIDE		38
4-22281-1	37	PLATE, STRIP HOLD		37
240636-1	36	SPRING, DRAG		36
454177-1	35	LEVER, DRAG		35
454204-3	34	DRAG, STOCK		34
454204-3	33	GUIDE, STRIP (REAR)		33
454178-1	32	GUIDE, STRIP (FRONT)		32
4-22284-9	31	GUIDE, FEED ROD		31
690495-6	30	SPRING, FEED RETURN		30
240655-1	29	ADAPTER, DRAG		29
690474-4	28	SPACER, HOLD DOWN		28
1-455892-1	27	SPRING, HOLD DOWN		27
240641-7	26	PLATE, REAR SHEAR		26
238009-1	25	SPACER, SHEAR PLATE		25
4-456134-6	24	PLATE, FRONT SHEAR		24
455888-8	23	ANVIL		23
456409-7	22	BLADE, SLUG		22
240641-7	21	HOLD DOWN, TERMINAL		21
238009-1	20	SPACER, SHEAR BLADE		20
4-456134-6	19	SPACER, TUBULAR		19
455888-8	18	CRIMPER, INSULATION		18
456409-7	17	SPACER, INSULATION		17
456409-7	16	CRIMPER, WIRE		16

CRIMPING DATA				APPLICATOR WILL APPLY	
PAD LTR	CRIMP HEIGHT	WIRE SIZE	WIRE LENGTH		
A	.075	14	.237-.267		62500
B	.071	(2)#18	.237-.267		41832
C	.066	16	.237-.267		
D	.061	18	.237-.267		
CRIMP	SIZE	TYPE	FEED	APPL INST	
WIRE	.120	F	.845	A1	8039
INSUL	.180	F	.845		
WIRE RANGE	18-14	INSULATION RANGE	.120-.170	PRESS NO	
REMARKS POST-FEED AMPOMATOR					

REMARKS		NO	REV
APPL USED ON MACHINE PART NO		TO APPLY TERMINAL SPEC 114-2036	
CUSTOMER NAME		DISTRIBUTION	
ADDRESS		ORIGINAL	
CITY		CUSTOMER COPY	
		FIELD ENG COPY	

REV	DATE	DESCRIPTION	BY	CHKD	APPD
1	10-13	SET UP PAGE	1-06	10-13	
2	10-13	458638-1	2-05	10-13	
3	10-13	DR 6-2374	4-03	10-13	
4	10-13	0150-0272-03	3-03	10-13	
5	10-13	0150-7626-97	3-97	10-13	
6	10-13	0150-6628-96	10-13	10-13	
7	10-13	REV. PER ECR R-5492	10-13	10-13	
8	10-13	REV. PER ECR R-5492	10-13	10-13	