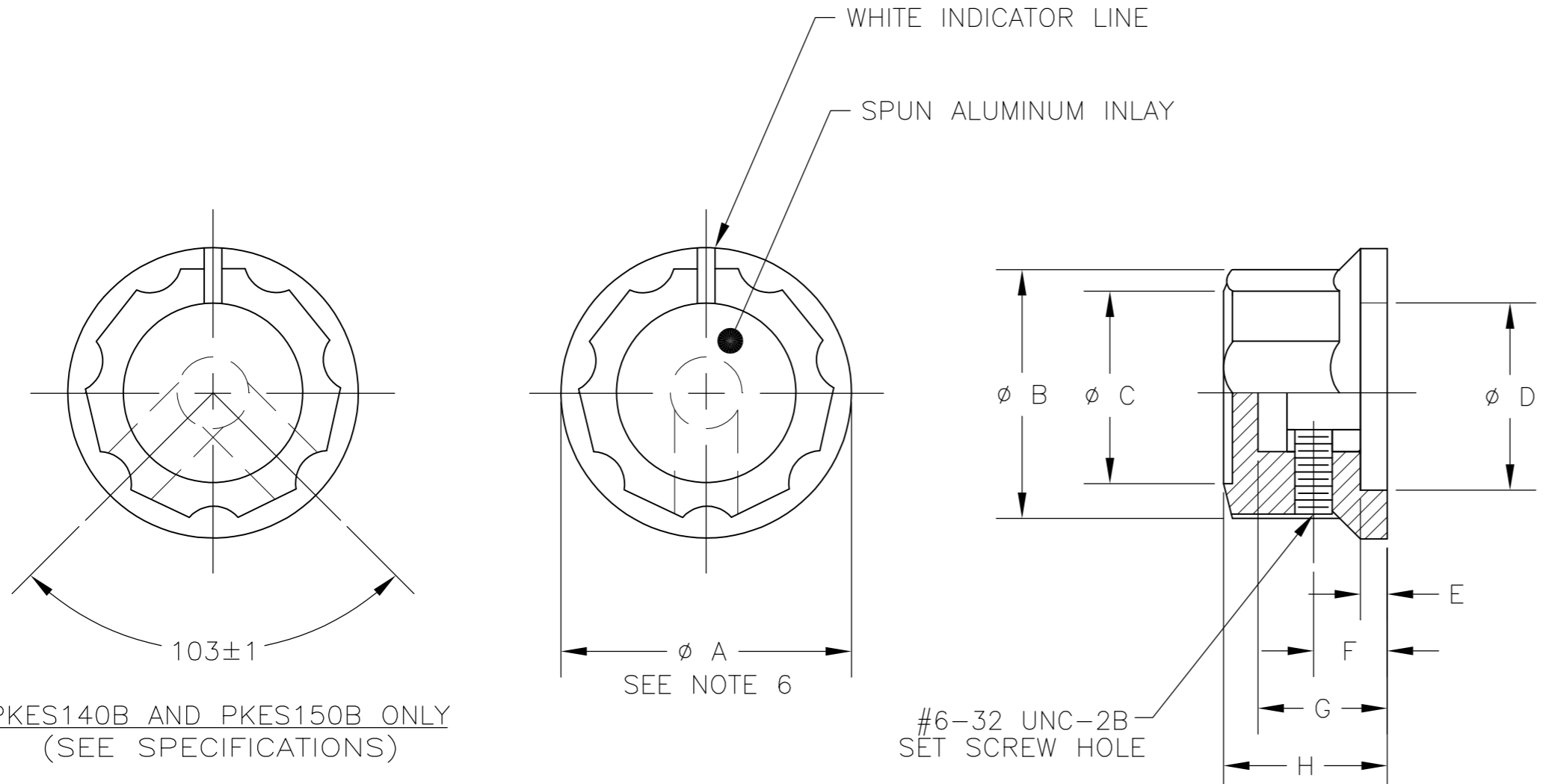


THIS DRAWING IS UNPUBLISHED. RELEASED FOR PUBLICATION
 © COPYRIGHT - By - ALL RIGHTS RESERVED.

| LOC | | DIST | | REVISIONS | | | |
|-----|-----|---------------------------|---------|-----------|------|--|--|
| P | LTR | DESCRIPTION | DATE | DWN | APVD | | |
| | A2 | REVISED PER ECO-13-000800 | 16JAN12 | KH | PO | | |



SPECIFICATIONS:

MATERIAL: PHENOLIC , COLOR: BLACK.
 SHAFT HOLE INSERT: COPPER ALLOY.
 SET SCREW: #6-32 UNC-2A
 PKES60B, PKES70B, PKES90B, AND PKES120B
 ONE SET SCREW ONLY.
 PKES140B AND PKES150B, TWO SET SCREWS ONLY.

NOTES:

- 1 INTERPRET DRAWING PER ASME Y14.5M-1994.
- 2 DECORATIVE SPUN ALUMINUM INLAY.
- 3 PLASTIC OVERLAY MUST BE PRESENT ON TOP SURFACE.
- 5 4 PACKAGING: FOR P/N PKES140B-1/4 & PKES120B-1/4, A CARDBOARD SHEET SHALL BE INSERTED BETWEEN THE OUTER SLEEVE & KNOB TRAY SO AS TO PREVENT THE KNOBS FROM FALLING OUT OF THEIR RESPECTIVE POCKETS.
- 5 VOID CORING FROM BOTTOM SIDE OF KNOB OPTIONAL.
- 6 DIMENSIONS DO NOT APPLY IN MOLD GATE AREA.

5

| P/N | MODEL | SHAFT HOLE ϕ | "A" | "B" | "C" | "D" | "E" | "F" | "G" | "H" |
|-------------|-------------|-------------------|-------|-------|-------|-------|------|------|------|------|
| 5-1437624-1 | PKES60B1/8 | .126 | .748 | .618 | .400 | .460 | .090 | .220 | .370 | .470 |
| 5-1437624-0 | PKES60B1/4 | .251 | .748 | .618 | .400 | .460 | .090 | .220 | .370 | .470 |
| 5-1437624-2 | PKES70B1/4 | | .855 | .744 | .508 | .705 | .080 | .275 | .421 | .526 |
| 5-1437624-3 | PKES90B1/4 | | 1.012 | .889 | .623 | .846 | .079 | .256 | .500 | .570 |
| 4-1437624-6 | PKES120B1/4 | | 1.296 | 1.160 | .858 | 1.018 | .118 | .320 | .500 | .628 |
| 4-1437624-7 | PKES140B1/4 | | 1.500 | 1.374 | 1.094 | 1.217 | .118 | .280 | .540 | .693 |
| 4-1437624-8 | PKES150B1/4 | | 1.768 | 1.551 | 1.217 | 1.413 | .118 | .300 | .733 | .831 |

| | DIMENSION | TOLERANCE |
|------------|-----------|----------------|
| SHAFT HOLE | .126 DIA. | +.003 -.000 |
| | .251 DIA. | +.003 -.000 |

WAS DWG 80444

| | | | | | |
|--|--|------------------|-----------------|---|--|
| THIS DRAWING IS A CONTROLLED DOCUMENT. | | DWN BSV | 14JUL04 | STE TE Connectivity | |
| DIMENSIONS: INCHES | | CHK - | APVD M ZITTO | | |
| TOLERANCES UNLESS OTHERWISE SPECIFIED: | | PRODUCT SPEC | | SIZE CAGE CODE DRAWING NO RESTRICTED TO | |
| 0 PLC ± - | | APPLICATION SPEC | | A2 00779 C-4-1437624-6 - | |
| 1 PLC ± - | | WEIGHT | | SCALE SHEET REV | |
| 2 PLC ± - | | - | | 1:1 1 of 1 A2 | |
| 3 PLC ± .015 | | - | | | |
| 4 PLC ± - | | - | | | |
| ANGLES ± 2° | | - | | | |
| MATERIAL SEE SPECIFICATIONS | | FINISH | | | |
| | | CUSTOMER DRAWING | | | |

4-1437624-6