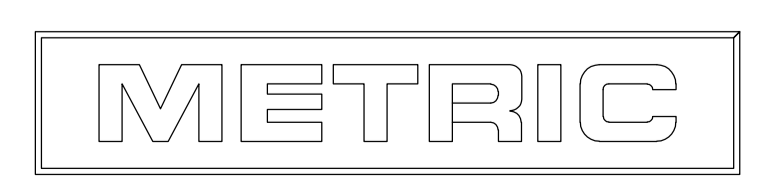
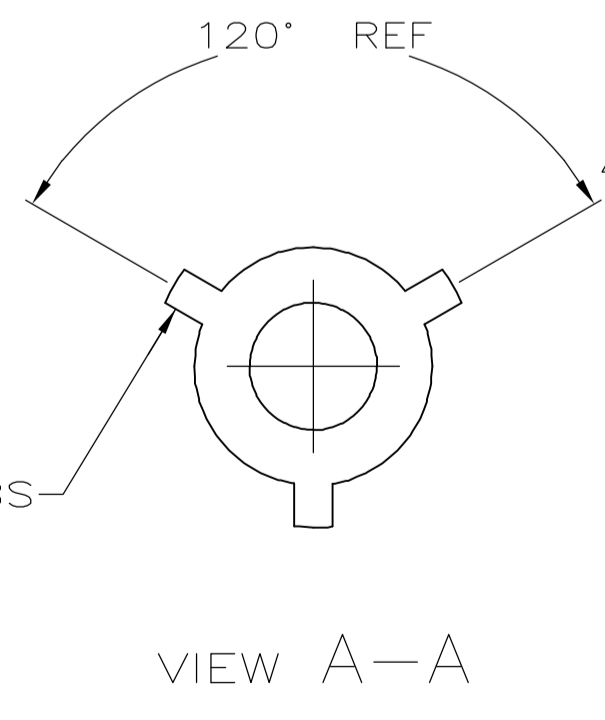


.010	0.25	.107	2.72	.440	11.18
.005	0.13	.100	2.54	.410	10.41
.003	0.08	.092	2.34	.313	7.95
.001	0.03	.078	1.98	.200	5.08
.000350	0.00889	.063	1.6	.176	4.47
.000150	0.00381	.042	1.07	.165	4.19
.000050	0.00127	.040	1.02	.140	3.56
.000030	0.00076	.030	0.76	.125	3.18
.000	0	.025	0.64	.124	3.15
IN	MM	IN	MM	IN	MM

CONVERSION TABLE



- 1 MATERIAL: HEADER- POLYESTER UL94V-0 (BLACK)
POST- COPPER ALLOY.
- 2 SOLDER SIDE OF P.C. BOARD SHOWN.
- 3 PARTS COMPLY WITH AMP SOLDERABILITY SPEC 109-11-2.
- 4 THE RETENTION TABS PROVIDE A ONE-TIME INTERFERENCE FIT IN THE .078 DIAMETER BOARD HOLE FOR HEADER ASSEMBLY RETENTION DURING SOLDERING.
- 5 LATCH DETENT FEATURE OCCURS 2 PLACES ON EACH END (MAXIMUM OF FOUR PER PART). FOR 2 THRU 5 CIRCUIT HEADERS, LATCH FEATURE OCCURS BETWEEN EACH CIRCUIT.
- 6 COORDINATE DIMENSION APPLIES FROM CENTER OF ACTUAL FEATURE.
- 7 PLATING: GOLD PLATE AREA, .000030 GOLD OR .000003 MIN GOLD FLASH OVER .000027 PALLADIUM NICKEL, PER TE CONNECTIVITY'S DISCRETION, ALL SIDES, OVER NICKEL UNDERPLATE, .000050 MIN, ALL SIDES AND ENTIRE LENGTH OF POST.
- 8 TIN-LEAD (93/7) PLATE, .000150-.000350 THK, ALL FOUR SIDES, .140 REF.
- 9 UL RECOGNIZED (UR) LOGO AND CSA LOGO WILL APPEAR ON THE SIDE OF THE PART. THE AMP LOGO MAY APPEAR ON THE SIDE OR ON BOTTOM OF PART.
- 10 BRIGHT TIN PLATE .000150-.000350 THICK, ALL FOUR SIDES, .140 REF.
- 11 OBSOLETE PARTS: OBSOLETE CIS STREAMLINING PER D.RENAUD/D.SINISI

YES	10	1.484	37.69	14	3-644487-4
		1.384	35.15	13	3-644487-3
		1.284	32.61	12	3-644487-2
		1.184	30.07	11	3-644487-1
		1.084	27.53	10	3-644487-0
		.984	24.99	9	2-644487-9
		.884	22.45	8	2-644487-8
		.784	19.91	7	2-644487-7
		.684	17.37	6	2-644487-6
		.584	14.83	5	2-644487-5
		.484	12.29	4	2-644487-4
		.384	9.75	3	2-644487-3
		.284	7.21	2	2-644487-2
NO	8	1.484	37.69	14	1-644487-4
		1.384	35.15	13	1-644487-3
		1.284	32.61	12	1-644487-2
		1.184	30.07	11	1-644487-1
		1.084	27.53	10	1-644487-0
		.984	24.99	9	644487-9
		.884	22.45	8	644487-8
		.784	19.91	7	644487-7
		.684	17.37	6	644487-6
		.584	14.83	5	644487-5
		.484	12.29	4	644487-4
		.384	9.75	3	644487-3
		.284	7.21	2	644487-2
LEADFREE	FINISH	IN	MM	NO OF POSITIONS	PART NUMBER
		L		HEADER ASSEMBLY	

THIS DRAWING IS A CONTROLLED DOCUMENT.

DIMENSIONS: INCHES	TOLERANCES UNLESS OTHERWISE SPECIFIED:	DIN S CARPENTER 28MAY2003	APPROVED D. ROSSI 28MAY2003	NAME
0 PLC ± -	1 PLC ± -	2 PLC ± -	3 PLC ± .005	4 PLC ± -
ANGLES ± -				
MATERIAL 1	FINISH SEE TABLE	WEIGHT	A1 00779	644487
CUSTOMER DRAWING		SCALE 10:1	SHEET 1 of 1	REV H

STE TE Connectivity

MTA-100 SHROUDED HEADER ASSEMBLY, FRICTION LOCK, STRAIGHT POST, .000030 GOLD