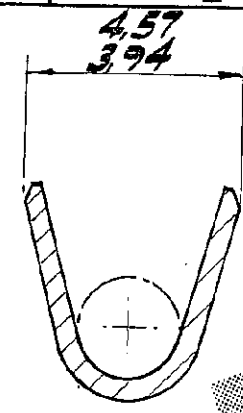
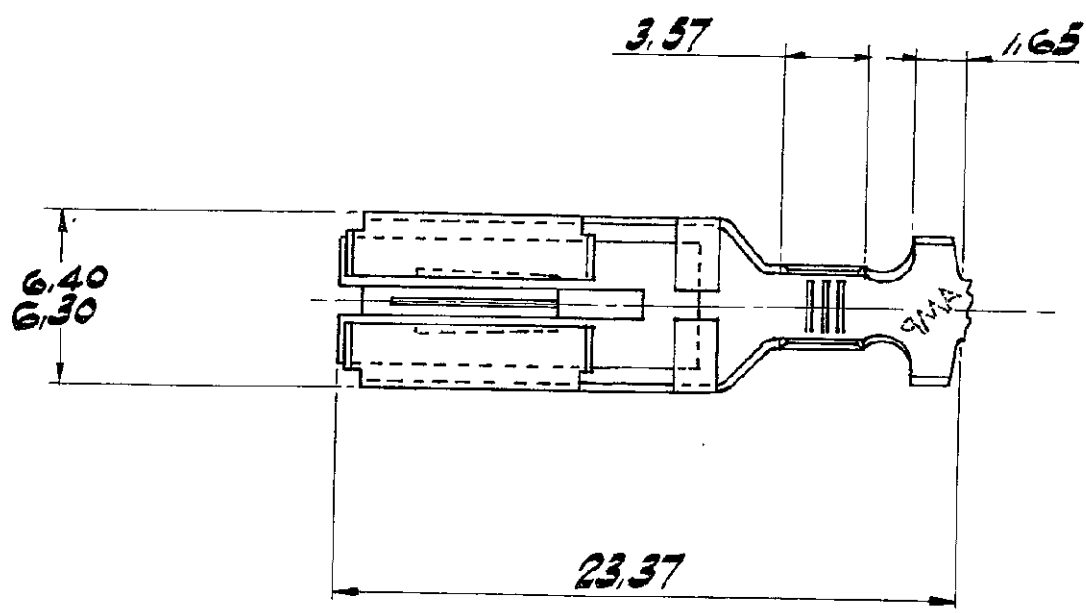


NUMBER C342414

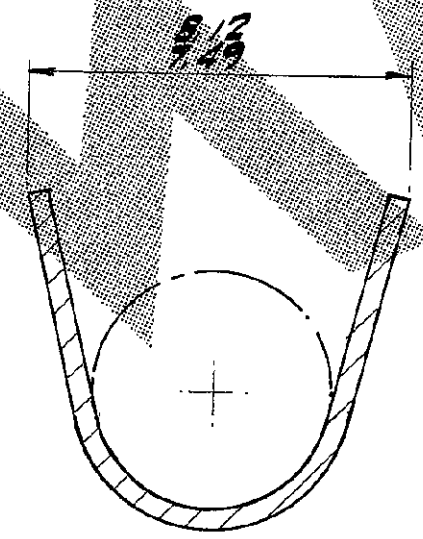
3rd ANGLE (AMERICAN) PROJECTION

METRIC

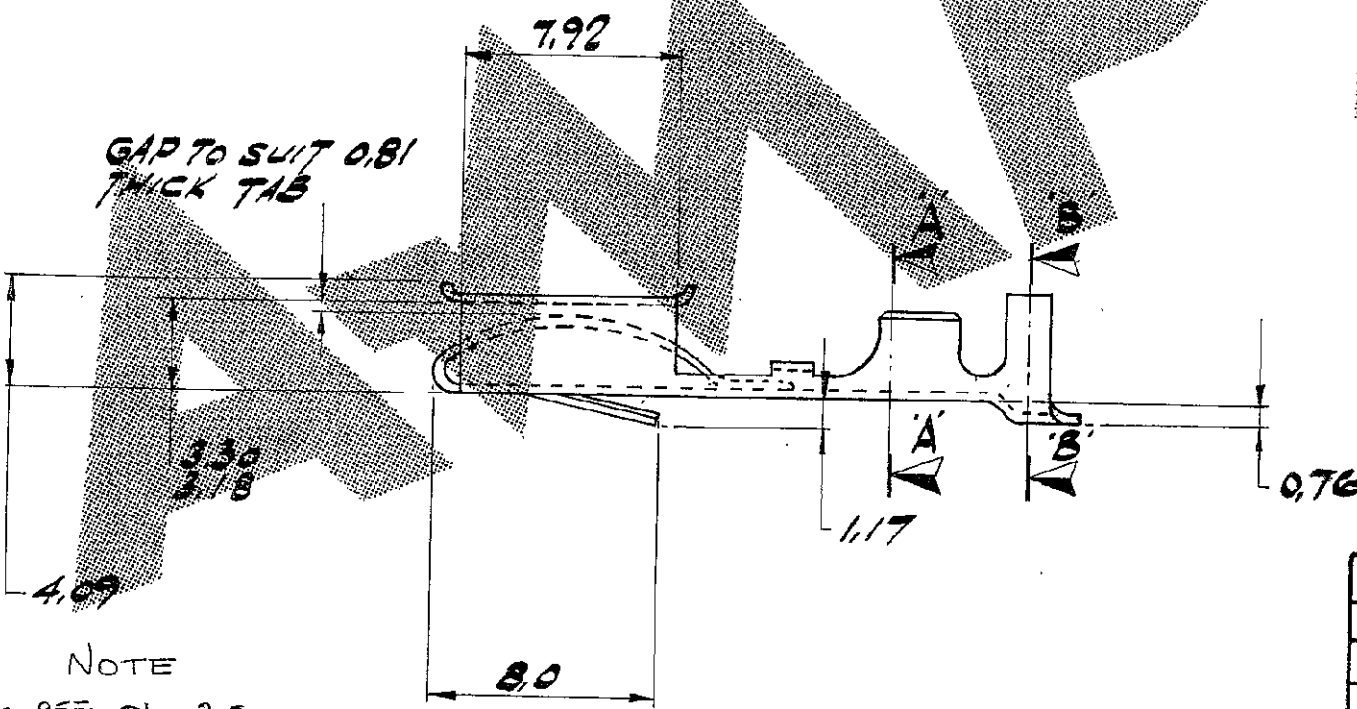
DIMENSIONS IN M.M DO NOT SCALE PRINT



SECTION A-A
N.T.S.



SECTION B-B
N.T.S.



GAP TO SUIT 0.81 THICK TAB

NOTE
REEL QTY. 2-5M

342875-4	342414-4	PHOS. BRONZE	PRE-TIN
342875-3	342414-3	PHOS. BRONZE	NONE
342875-2	342414-2	BRASS	PRE-TIN
342875-1	342414-1	BRASS	NONE
L.P. PART NO	STRIP PART NO	MATERIAL	FINISH

© AMP of GREAT BRITAIN LTD 1982				CUSTOMER COPY REFERENCE ONLY				
E	SEE ECN ER00-0159-00	R.11	10-3-00	MATERIAL AND FINISH 0.40THICK STOCK		AMP of Great Britain Ltd.		TERMINAL HOUSE, STANMORE, MIDD.
3	L.P. NOS ADDED	MW	6-3-85	SEE TABLE.		CLASS		
2	3.0-5.3mm ² WAS 12-10 SET AMP LOGO AT 45°	J.C.	11.2.83	WIRE - RANGE - INSULATION 3.0-5.3mm ² 33-49		TYPE		
1	FIRST DRAWN	C.S.	15.6.82	TOLERANCE EXCEPT AS NOTED ± 0.5		SCALE 4:1	LOC E B	NO C342414
ISS REVISION RECORD				DR	CHK	DATE		
DR	SL/UGH	6/6/82	DE	K. J. [Signature]		7.91		
CHK	[Signature]	25/6/82	APP					

RECEPTACLE