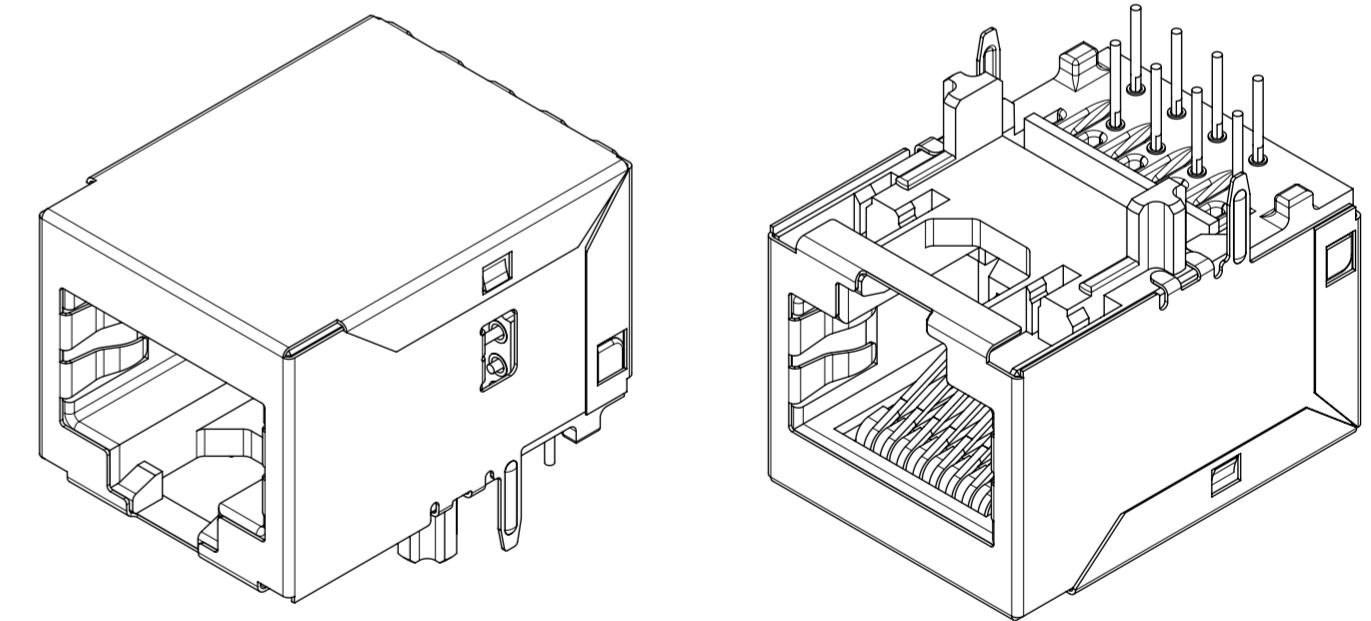
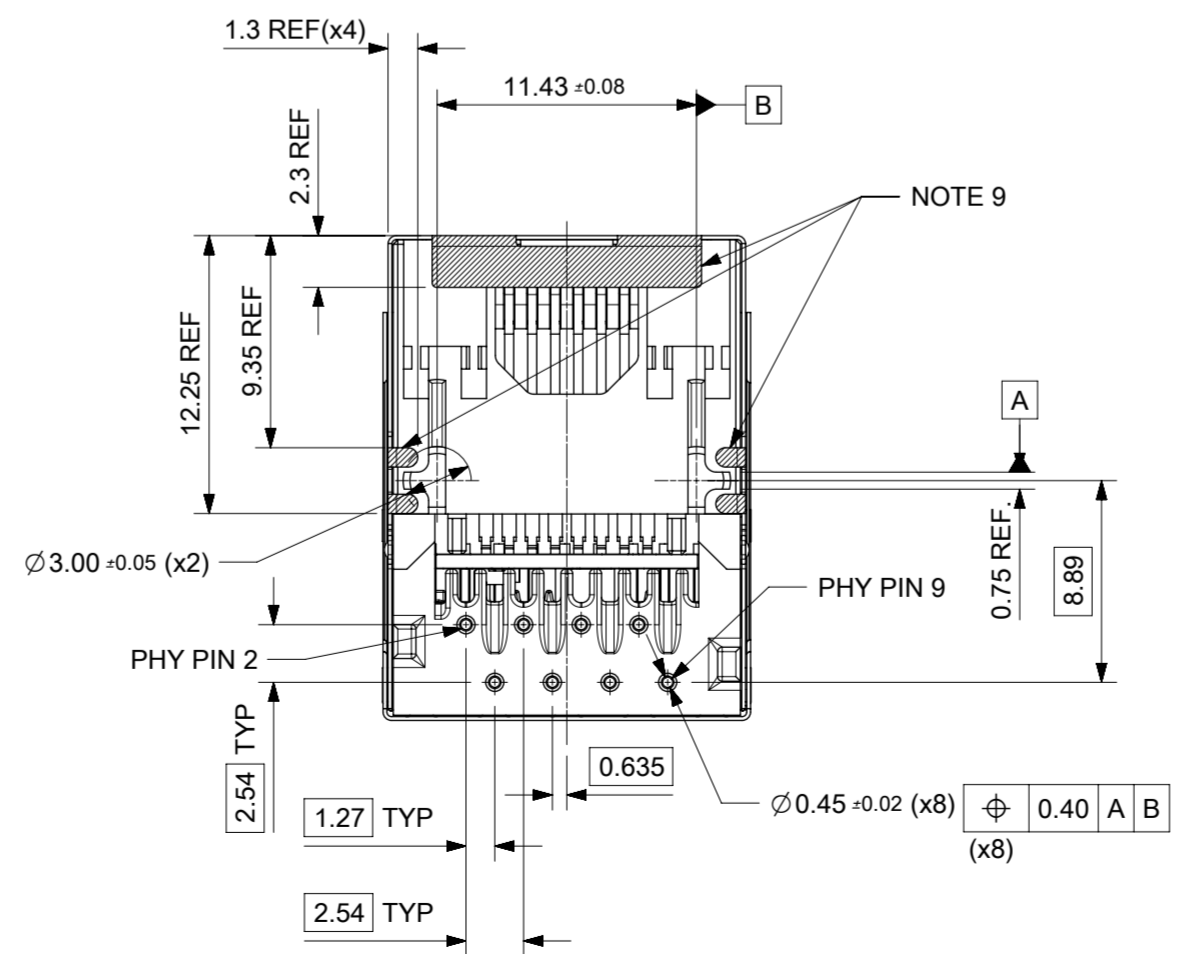
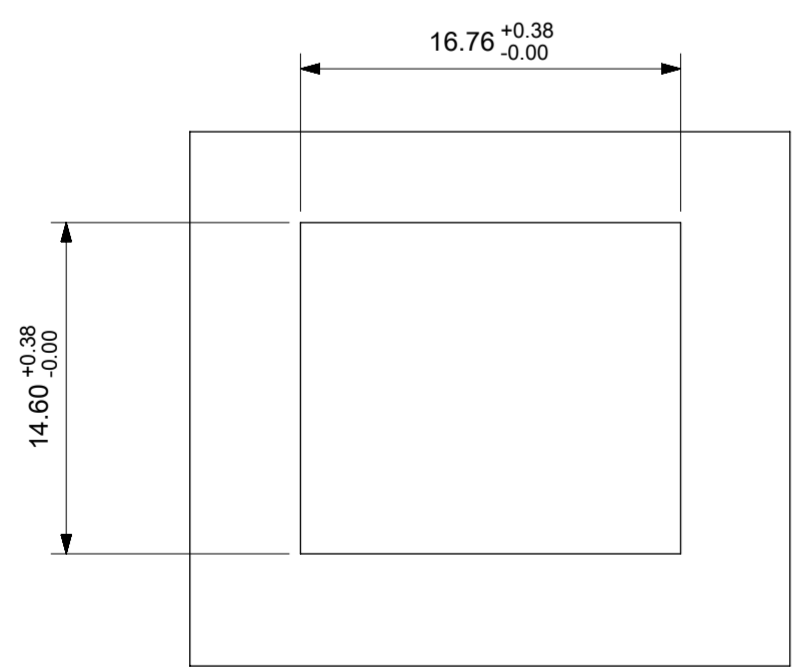
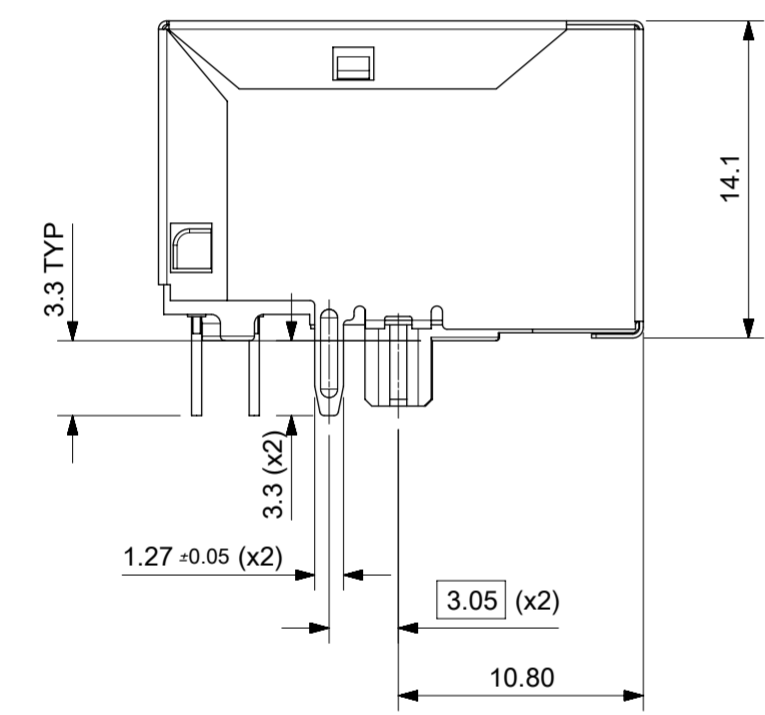
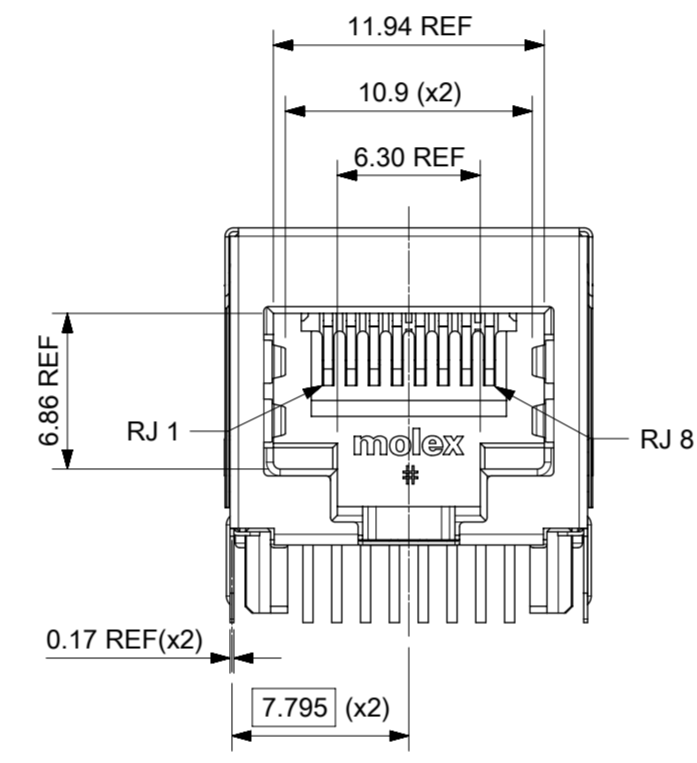
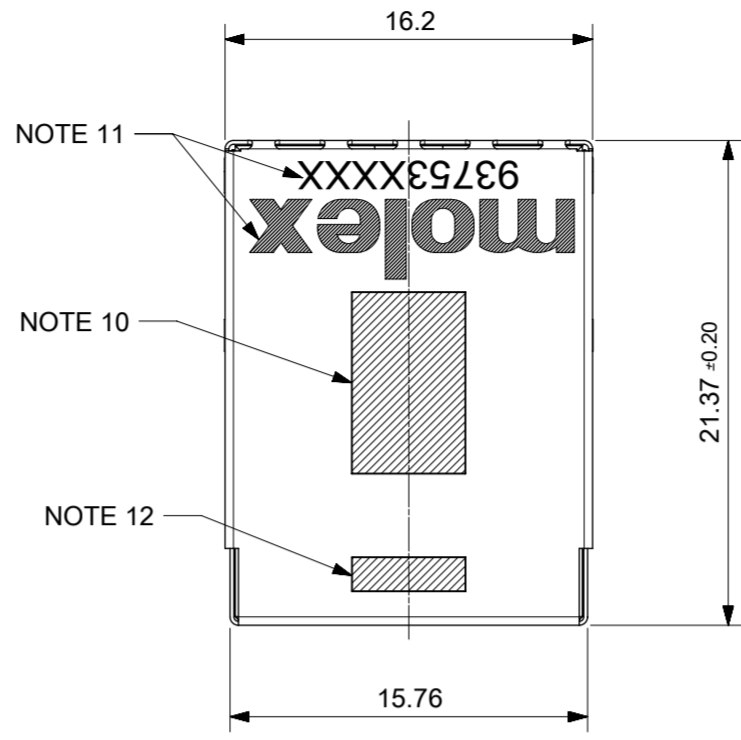
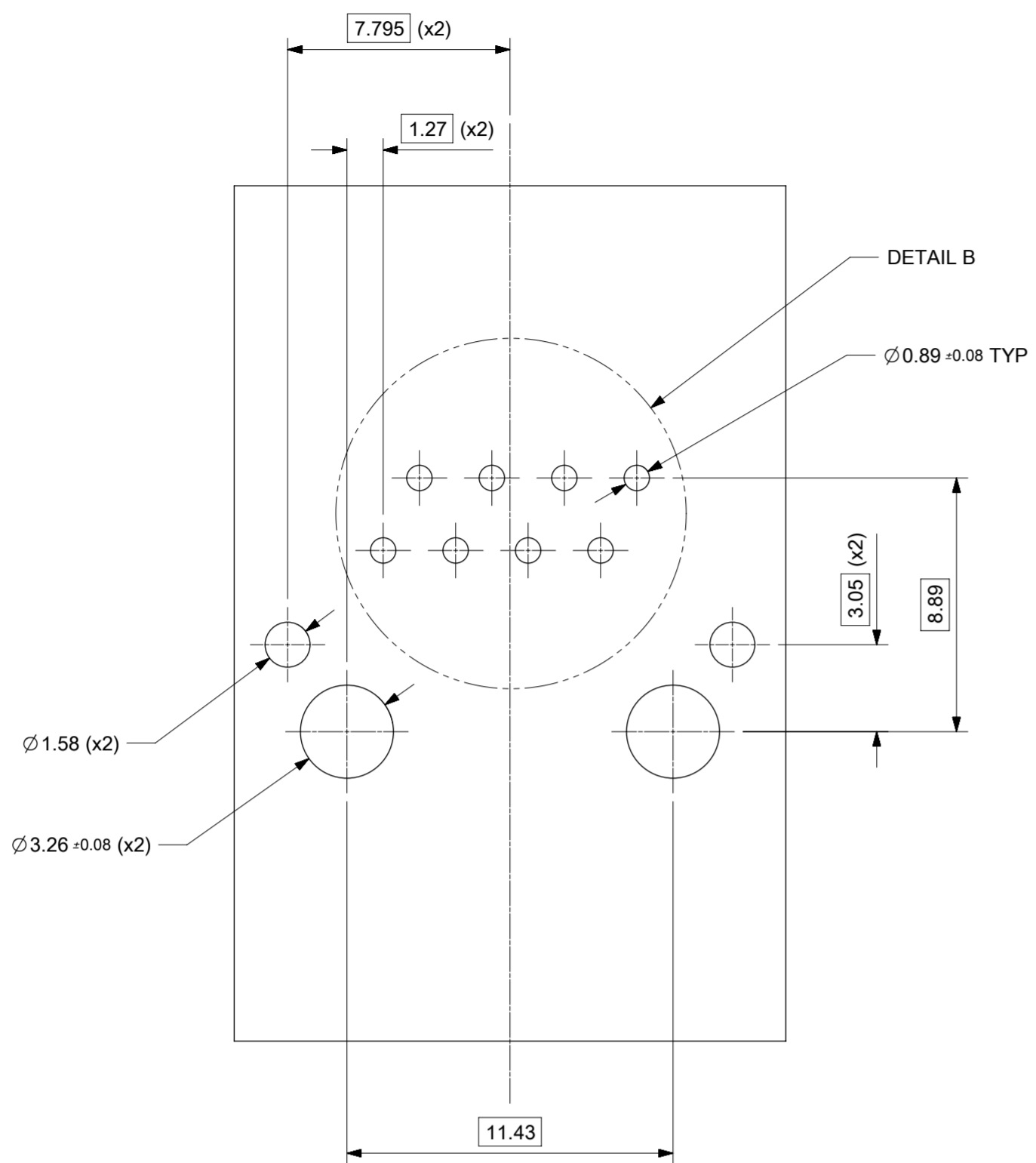


STANDARD PROFILE MAGNETIC JACK  
FAST ETHERNET W/O LEDS  
AND W/O SHIELD TABS TOP AND SIDE

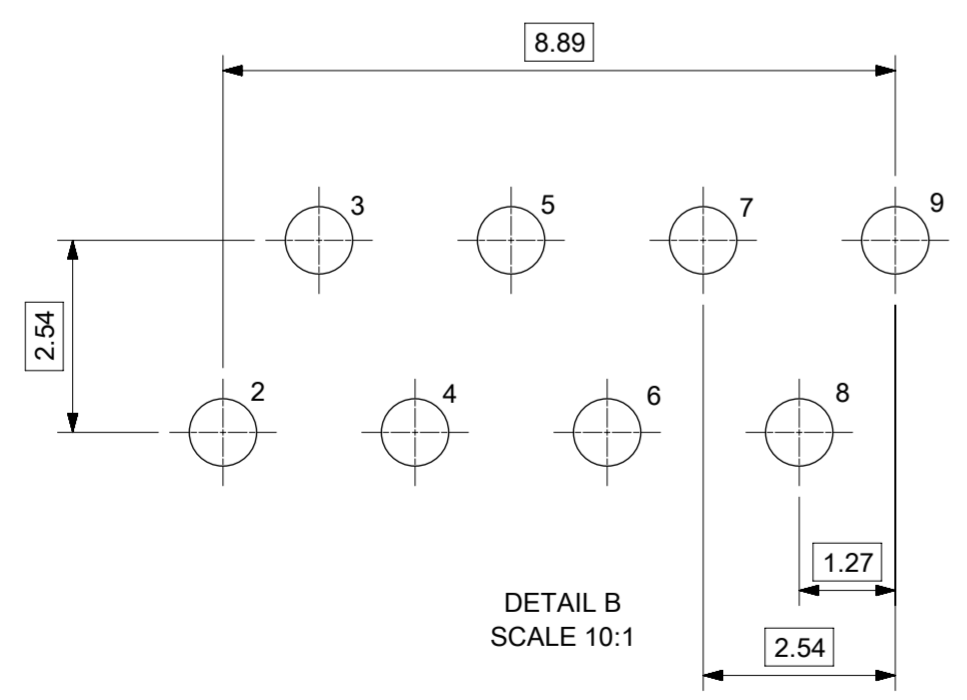
- NOTES:
- 1 - SHIELD MATERIAL: 0.17 mm THICK BRASS PRE-PLATED WITH NICKEL  
SOLDER TABS POST DIPPED WITH MIN. 1.27 μm TIN
  - 2 - HOUSING MATERIAL: LCP, BLACK, UL 94V-0
  - 3 - TERMINAL MATERIAL: PHOSPHOR BRONZE  
RJ45 CONTACTS PLATING: BASE NICKEL PLATED WITH GOLD  
FLASH OVER PALLADIUM NICKEL. REFER TO 934620001 PSP  
PHY SOLDER TAILS: COPPER ALLOY
  - 4 - MATING INTERFACE ACCORDING TO IEC 60603-7 & TIA-1096-A
  - 5 - PRODUCT SPECIFICATION: 934620001 PSP
  - 6 - PACKAGING SPECIFICATION: 934620002 PSK TAPE & REEL
  - 7 - STAND OFF TO SYSTEM BOARD 0.30 mm MINIMUM
  - 8 - RECOMMENDED PCB THICKNESS: 1.57 mm
  - 9 - SHIELD: AVOID ROUTING TRACES  
OR PLACING ANY VIAS BELOW THESE AREAS
  - 10 - AREA FOR PICK AND PLACE: 5.0 mm X 8.0 mm
  - 11 - INSCRIPTION MARKED BY LASER:  
1st : MOLEX  
2nd : P/N (SEE BOM)
  - 12 - DATE CODE(DAY/WEEK/YEAR)
  - 13 - MATERIAL COMPLIANT TO RoHS DIRECTIVE 2002/95/EC



REVISIONS		GENERAL TOLERANCES (UNLESS SPECIFIED)		DIMENSION UNITS		SCALE				
REV	DATE	DRWN BY	DATE	mm	3:1	STD MXMAG 4 CORE FE				
1	2017/05/09	DBYRNES	2015/10/01	ANGULAR TOL ± 2.0 °		PRODUCT CUSTOMER DRAWING				
2	2016/01/15	DBYRNES	2016/09/19	4 PLACES ±		SERIES	MATERIAL NUMBER	CUSTOMER		
3	2018/01/15	DBYRNES	2016/10/07	3 PLACES ±		93753	SEE CHART	GENERAL MARKET		
4				2 PLACES ± 0.1		DOCUMENT NUMBER	DOC TYPE	DOC PART	SHEET NUMBER	
5				1 PLACE ± 0.2		937530001	PSD	000	1 OF 3	
6				0 PLACES ±						
DRAFT WHERE APPLICABLE MUST REMAIN WITHIN DIMENSIONS		DRAWING SIZE		THIRD ANGLE PROJECTION						
C		A2								



SUGGESTED BOARD LAYOUT  
FAST ETHERNET VERSION  
COMPONENT SIDE  
ALL DIMENSIONS ARE REFERENCE DIMENSIONS



PIN CONFIGURATION  
FOR FAST ETHERNET VERSION

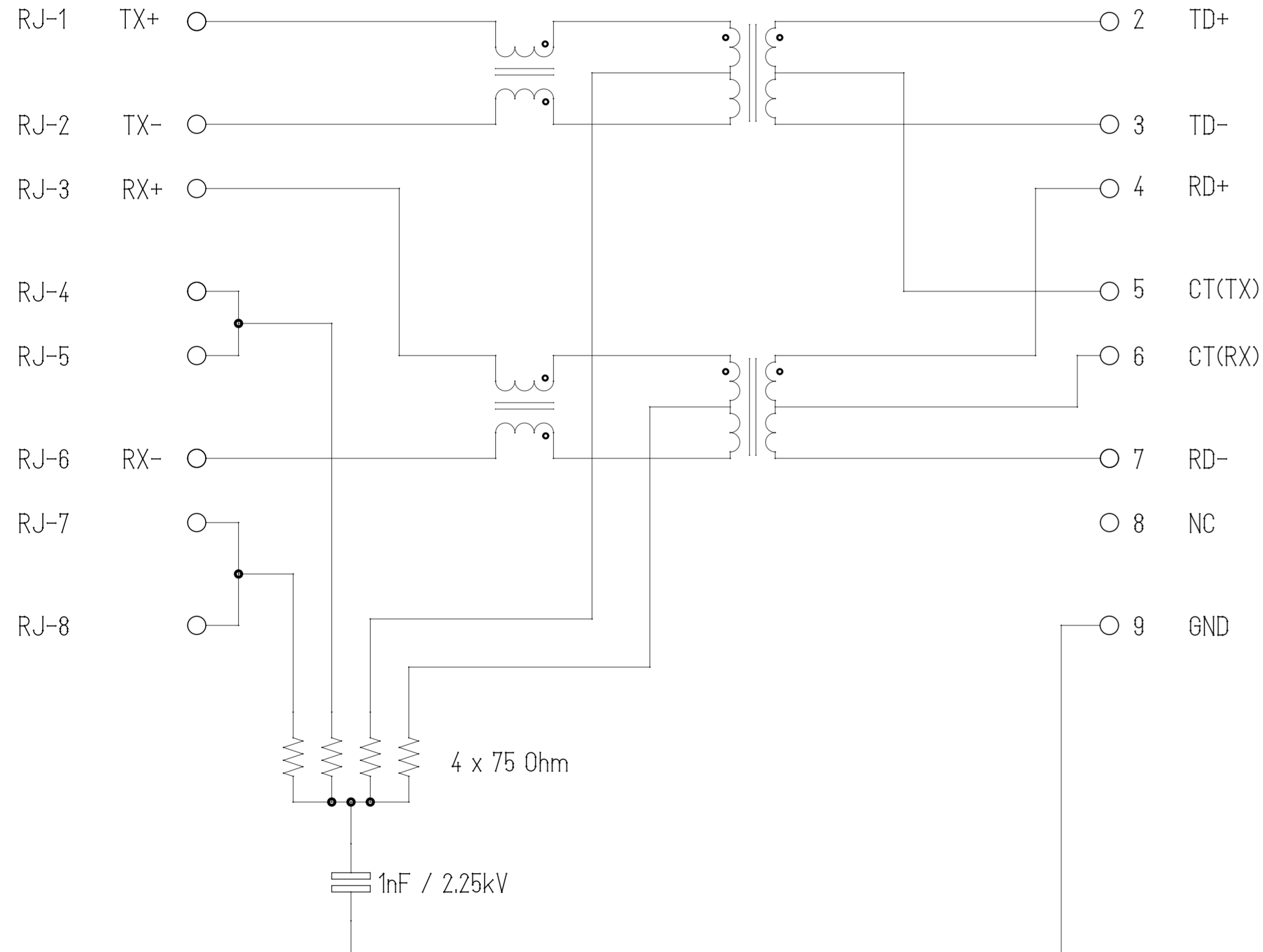
PART NUMBER 93753-5320

THIS DRAWING CONTAINS INFORMATION THAT IS PROPRIETARY TO MOLEX ELECTRONIC TECHNOLOGIES, LLC AND SHOULD NOT BE USED WITHOUT WRITTEN PERMISSION													
REVISED	EC NO: 168420	2017/05/09	GENERAL TOLERANCES (UNLESS SPECIFIED)		DIMENSION UNITS	SCALE	<b>molex</b> STD MXMAG 4 CORE FE						
	DRWN: DBYRNES	2016/01/15	ANGULAR TOL ± 2.0 °		mm	5:1							
	CHKD: DBYRNES	2018/01/15	4 PLACES	±	DRWN BY	DATE	KREILLY 2015/10/01						
	REV	APPR: DBYRNES	2018/01/15	3 PLACES	±	CHK'D BY	DATE	DBYRNES 2016/09/19					
				2 PLACES	± 0.1	APPR BY	DATE	STGRIFFIN 2016/10/07					
				1 PLACE	± 0.2	DRAWING SIZE		THIRD ANGLE PROJECTION		PRODUCT CUSTOMER DRAWING			
DRAFT WHERE APPLICABLE MUST REMAIN WITHIN DIMENSIONS			0 PLACES	±	A2			SERIES	MATERIAL NUMBER	CUSTOMER			
						93753	SEE CHART	GENERAL MARKET					
						DOCUMENT NUMBER			DOC TYPE	DOC PART	SHEET NUMBER		
						937530001			PSD	000	2 OF 3		

WIRE-SIDE / RJ-45

ETHERNET MAGNETICS

PHY-SIDE / PCB SIDE



Description	Value	
OCL @100 kHz, 0.1 V, 8 mA DC bias (-40°C to +85°C)	350 µH min.	
Turns ratio	1CT:1CT	
Transmission characteristics @ 25°C, all four pairs		
Insertion Loss		
Frequency f, (MHz)	Limits (dB max.)	Typical Values (dB max.)
1.0-9.9	0.4+0.1*log(f)	0.5 @ 10 MHz
10-49.9	0.5+0.3*log(f/10)	0.7 @ 50 MHz
50-79.9	1+1.4*log(f/80)	1.0 @ 80 MHz
80-100	1.3+3*log(f/100)	1.3 @ 100 MHz
Return Loss		
Frequency f, (MHz)	Limits (dB min.)	Typical Values (dB min.)
1.0-39.9	18	18 @ 40 MHz
40-100	12-20*log(f/80)	10 @ 100 MHz
CMR		
Frequency f, (MHz)	Limits (dB min.)	Typical Values (dB min.)
1.0-100	30	30 @ 100 MHz
NEXT		
Frequency f, (MHz)	Limits (dB min.)	Typical Values (dB min.)
1.0-39.9	35	35 @ 40 MHz
40-100	33-20*log(f/50)	27 @ 100 MHz
Isolation PHY to wire side	2.25 kV DC/60sec	

ETHERNET TERMINALS

Shield

THIS DRAWING CONTAINS INFORMATION THAT IS PROPRIETARY TO MOLEX ELECTRONIC TECHNOLOGIES, LLC AND SHOULD NOT BE USED WITHOUT WRITTEN PERMISSION

REVISED EC NO: 168420 DRWN: DBYRNES CHK'D: DBYRNES REV APPR: DBYRNES	2017/05/09	GENERAL TOLERANCES (UNLESS SPECIFIED)	DIMENSION UNITS	SCALE		
	2016/01/15	(UNLESS SPECIFIED)	mm	1:1		
	2016/01/15	ANGULAR TOL ± 2.0 °	DRWN BY	DATE		STD MXMAG 4 CORE FE
		4 PLACES ±	KREILLY	2015/10/01		
		3 PLACES ±	CHK'D BY	DATE		
	2 PLACES ± 0.1	DBYRNES	2016/09/19			
	1 PLACE ± 0.2	APPR BY	DATE			
	0 PLACES ±	STGRIFFIN	2016/10/07	PRODUCT CUSTOMER DRAWING		
	DRAFT WHERE APPLICABLE MUST REMAIN WITHIN DIMENSIONS	DRAWING SIZE	THIRD ANGLE PROJECTION	SERIES	MATERIAL NUMBER	CUSTOMER
		A2		93753	SEE CHART	GENERAL MARKET
				DOCUMENT NUMBER	DOC TYPE	DOC PART SHEET NUMBER
				937530001	PSD	000 3 OF 3