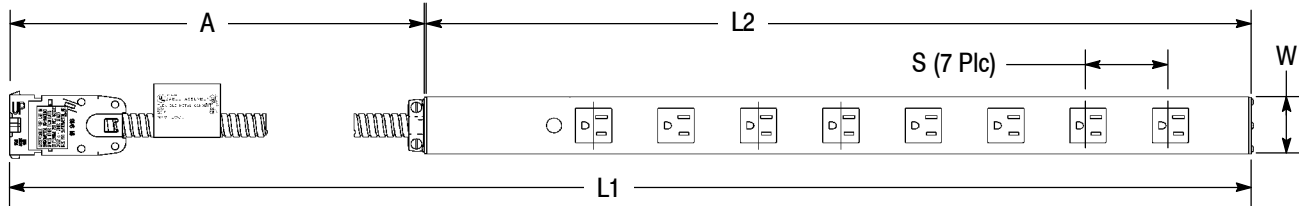
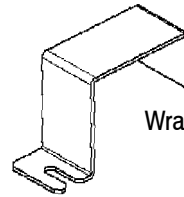




*Power Strip Assembly 557958-1, 557958-2, 557958-3, and 557958-4
(See Figure 2 for "L" Dimensions)*



To obtain information on AMP NETCONNECT* products, call PRODUCT INFORMATION at the number at the bottom of this page, or visit the AMP NETCONNECT website at www.ampnetconnect.com.



Wrap-Around Mounting Bracket

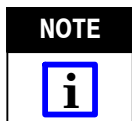
PART NUMBER	QTY-TYPE OF REC	MIN-MAX CABLE LENGTH DIM	SPACING OF REC	PROTECTED LINE NO.
557958-1	8-15A Simplex	3048.00-3073.40 [120.00-121.00]	60.96 [2.40]	1
557958-2	8-15A Simplex	3048.00-3073.40 [120.00-121.00]	60.96 [2.40]	2
557958-3	8-15A Simplex	3048.00-3073.40 [120.00-121.00]	60.96 [2.40]	3
557958-4	8-15A Simplex	3048.00-3073.40 [120.00-121.00]	60.96 [2.40]	4
1-557958-1	6-15/20A Simplex	914.40-927.10 [36.00-36.50]	200.03 [7.875]	1
1-557958-2	6-15/20A Simplex	914.40-927.10 [36.00-36.50]	200.03 [7.875]	2
1-557958-3	6-15/20A Simplex	914.40-927.10 [36.00-36.50]	200.03 [7.875]	3
1-557958-4	6-15/20A Simplex	1676.40-169545 [66.00-66.75]	200.03 [7.875]	1
1-557958-5	6-15/20A Simplex	1676.40-169545 [66.00-66.75]	200.03 [7.875]	2
1-557958-6	6-15/20A Simplex	1676.40-169545 [66.00-66.75]	200.03 [7.875]	3
1-557958-7	6-15/20A Simplex	1371.60-1390.65 [54.00-54.75]	200.03 [7.875]	1
1-557958-8	6-15/20A Simplex	1371.60-1390.65 [54.00-54.75]	200.03 [7.875]	2
1-557958-9	6-15/20A Simplex	1371.60-1390.65 [54.00-54.75]	200.03 [7.875]	3

Figure 1

1. INTRODUCTION

This instruction sheet provides the mounting procedures for the Cable Assembly Power Strip Kits (557958-[]) shown in Figure 1 and Figure 2.

This cable assembly power strip kit is ideal for use in garages, workshops, office areas, and display areas where power is required for tools and appliances.



All dimensions are in metric units [with U.S. customary units in brackets]. Figures and illustrations are for reference only, and are not drawn to scale.

2. DESCRIPTION

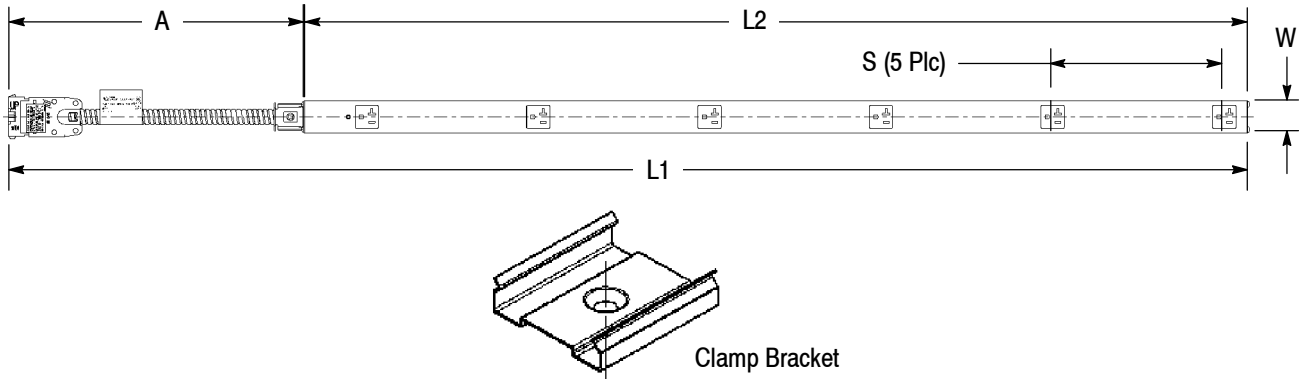
This cable assembly power strip is designed to be mounted vertically or horizontally. The installation should be on a surface that will minimize foreign objects or liquids from entering the receptacle(s). It is recommended that the power strip be mounted on a surface other than a work surface.

The cable assembly power strip is UL Listed in UL File E132626.

Electrical Ratings:

20 Ampere Rated Units - 120 VAC, 20 A, 2400 Watts

Power Strip Assembly 1-557958-1, 1-557958-2, 1-557958-3, and 1-557958-4
 1-557958-5, 1-557958-6, 1-557958-7, 1-557958-8, and 1-557958-9

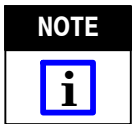


PART NUMBER	QTY-TYPE OF RECEPTACLE	CABLE ASSY POWER STRIP DIMENSIONS LENGTH1 / LENGTH2 / WIDTH / HEIGHT	MOUNTING BRACKET TYPE
557958-1	8-15A Simplex	3657.60 [144.00] / 609.60 [24.00] / 44.70 [1.76] / 41.15 [1.62]	Wrap-Around Mounting Bracket
557958-2		3657.60 [144.00] / 609.60 [24.00] / 44.70 [1.76] / 41.15 [1.62]	
557958-3		3657.60 [144.00] / 609.60 [24.00] / 44.70 [1.76] / 41.15 [1.62]	
557958-4		3657.60 [144.00] / 609.60 [24.00] / 44.70 [1.76] / 41.15 [1.62]	
1-557958-1	6-15/20A Simplex	2012.95 [79.25] / 1098.55 [43.25] / 37.59 [1.48] / 27.43 [1.08]	Clamp Bracket
1-557958-2		2012.95 [79.25] / 1098.55 [43.25] / 37.59 [1.48] / 27.43 [1.08]	
1-557958-3		2012.95 [79.25] / 1098.55 [43.25] / 37.59 [1.48] / 27.43 [1.08]	
1-557958-4		2774.95 [109.25] / 1098.00 [43.25] / 37.59 [1.49] / 27.43 [1.08]	
1-557958-5		2774.95 [109.25] / 1098.00 [43.25] / 37.59 [1.49] / 27.43 [1.08]	
1-557958-6		2774.95 [109.25] / 1098.00 [43.25] / 37.59 [1.49] / 27.43 [1.08]	
1-557958-7		2489.20 [98.00] / 1117.60 [44.00] / 37.85 [1.49] / 27.43 [1.08]	
1-557958-8		2489.20 [98.00] / 1117.60 [44.00] / 37.85 [1.49] / 27.43 [1.08]	
1-557958-9		2489.20 [98.00] / 1117.60 [44.00] / 37.85 [1.49] / 27.43 [1.08]	

Figure 2



To reduce the risk of external shock, use indoor in dry locations only. Not for use in wet or damp locations. Plug the unit into a grounded outlet only.



Mounting devices shall be located no more than 121.9 cm [48 in.] apart.

3. MOUNTING PROCEDURES

1. Drill holes as required for the number of mounting clips provided.

2. Secure the mounting clips to the mounting surface with #8 or #10 flat-head screws, (customer supplied), at a distance not to exceed 1/3 the length of the power strip.

3. Position the power strip over the clips, and firmly press to lock in.

4. To remove the power strip from the mounting clips, grasp the body and slide until clear.

4. REVISION SUMMARY

- Updated document to corporate requirements
- Revised document to match document part number revision