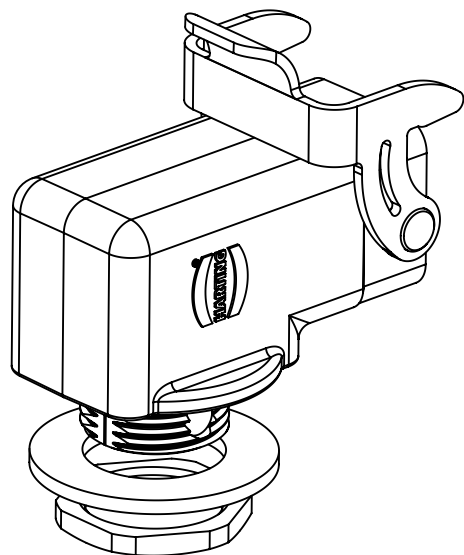
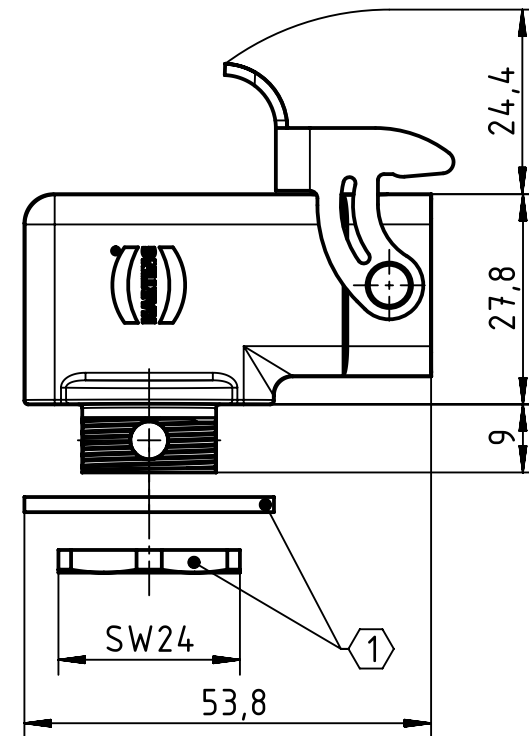
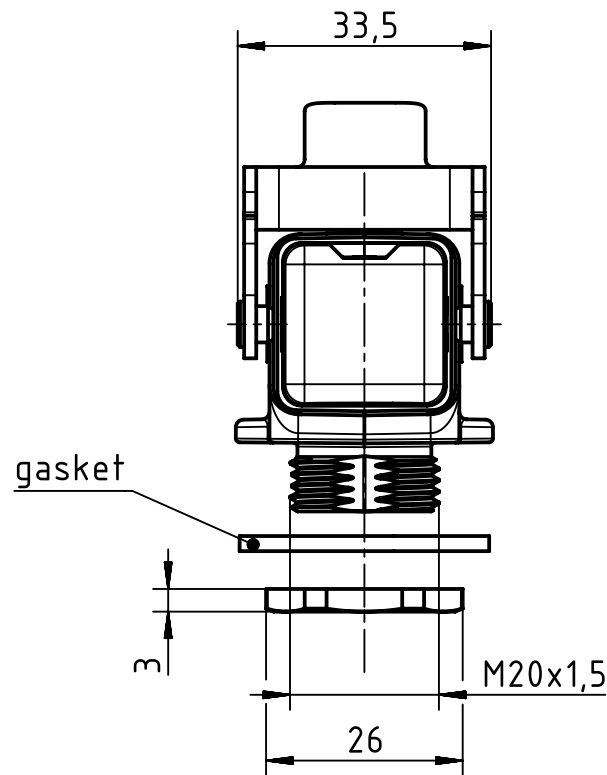
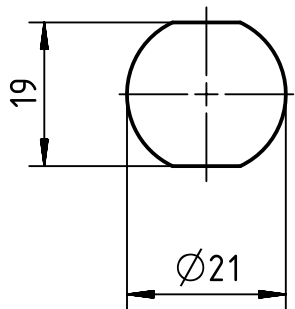



1:1
panel cut out



① enclosed separately

	All rights reserved Department EL PD - DE	All Dimensions in mm Original Size DIN A4		Scale 1:1	Free size tol.	Ref.
		Created by MOELLERLI	Inspected by BEISCHER	Standardisation RUETERA	Date 2018-04-11	State Final Release
HARTING Electric GmbH & Co. KG D-32339 Espelkamp		Title Han 3A-Base angled-M20			Doc-Key / ECM-Nr. 100721093/UGD/001/D 500000133693	
		Type TB	Number 19 20 003 1160		Rev. D	Page 1/1