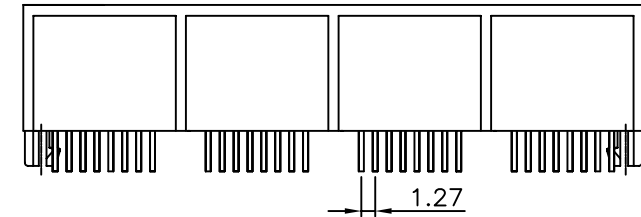
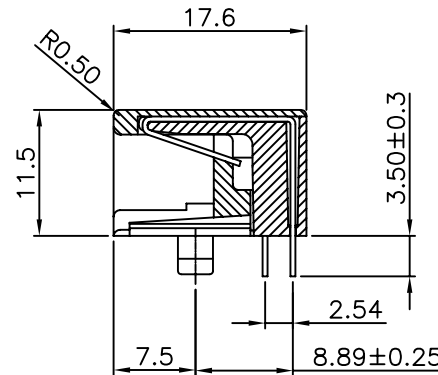
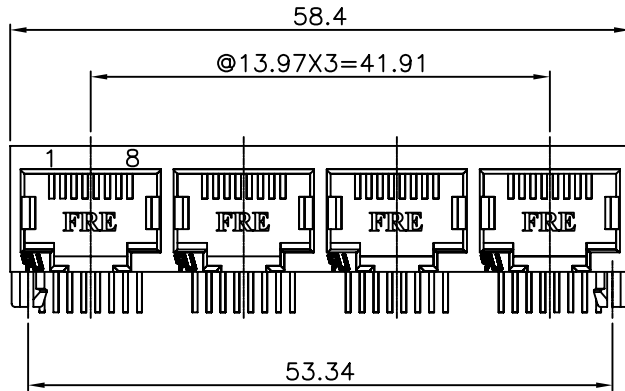


REVISION RECORD		
REV	DESCRIPTION	DRFT



NOTES:

ELECTRICAL:

1. VOLTAGE RATING : 125 VAC RMS.
2. CURRENT RATING : 1.5 AMP.
3. CONTACT RESISTANCE : 40 MILLIOHMS MAX.
4. INSULATION RESISTANCE: 1000 MEGOHMS MIN @ 500 VDC.
5. DIELECTRIC STRENGTH : 1000 VDC RMS 60Hz, 1MIN.

MECHANICAL:

1. HOUSING MATERIAL : GLASS FIBER FILLED PBT, UL94V-0\YELLOW.
2. CONTACT MATERIAL : PHOSPHOR BRONZE ϕ 0.46mm.
3. PLATING : GOLD PLATING OVER NICKEL.
4. OPERATING LIFE : 750 CYCLES MIN.
5. PCB RETENTION PRE-SOLDE : 1 LB MIN.
6. PCB RETENTION POST-SOLDER: 10 LBS MIN.

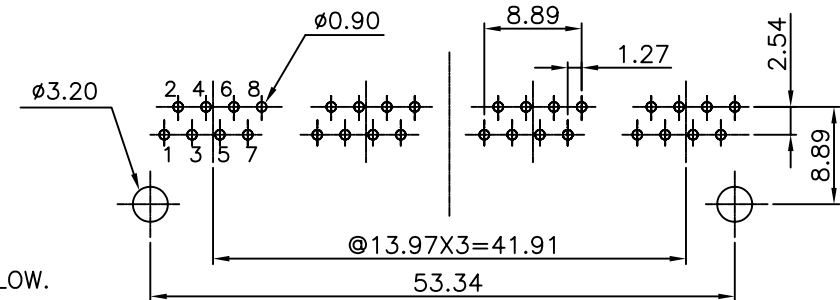
ENVIRONMENTAL:

1. STORAGE : -40°C TO +85°C.
2. OPERATION: -40°C TO +85°C.
3. WAVE SOLDER TEMPERATURE: 235°C~245°C (3~5 SECONDS).
4. RoHS COMPLIANT.

MATES WITH MODULAR PLUG CONFORMING TO

FCC PART 68, SUBPART F.

CUL FILE NO. E163191



PC BOARD LAYOUT T=1.60mm
COMPONENT SIDE SHOWN
TOLERANCES±0.05mm

E5608-00CW72-L	6u"
PART NO.	Au PLATING

		RoHS Compliant			
TOLERANCES EXCEPT AS NOTED		TITLE 11.5 SIDE ENTRY PCB GANG JACK 8P			
MM	±				
.0 ± 0.25 .00 ± 0.20 .000 ± 0.10	±				
ANGLES ± 1°		DFTO : ELLA	DRAWING NO. CE5608-00CW7X-L	SIZE A3	REV 0
		DATE : 09/17/2012	/PART NO. E5608-00CW72-L		
THIRD ANGLE PROJECTION		SCALE : 1:1	DO NOT SCALE DRAWING	SHEET 1 OF 1	