

THIS DRAWING IS UNPUBLISHED.

RELEASED FOR PUBLICATION

2015

© COPYRIGHT 2015

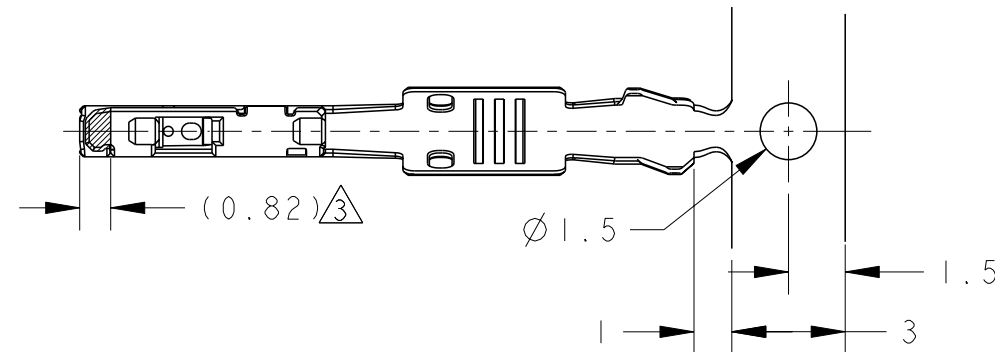
ALL RIGHTS RESERVED.

LOC  
J

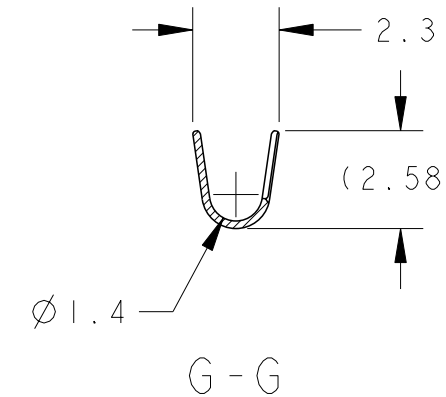
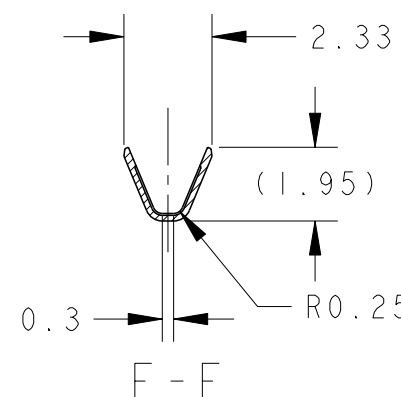
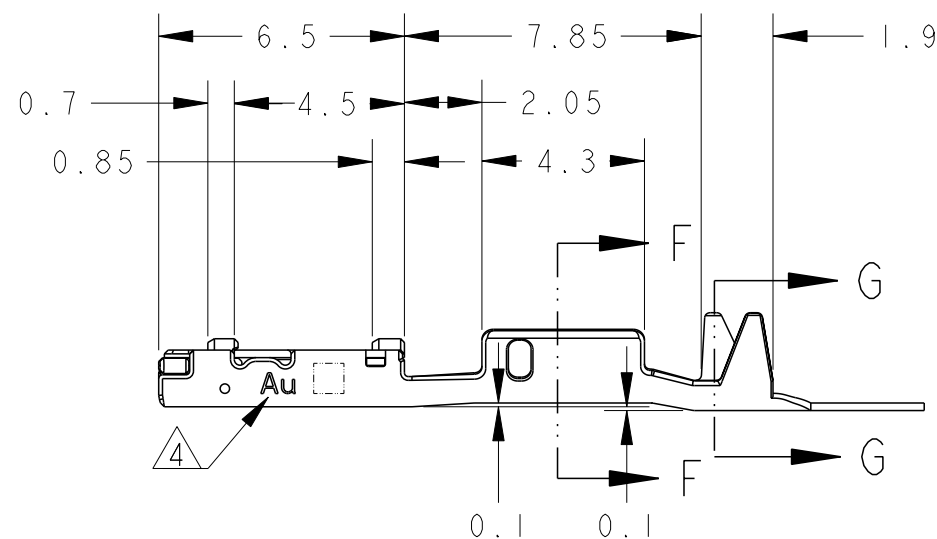
DIST  
-

REVISIONS  
変更

P	LTR	DESCRIPTION	DATE	DWN	APVD
A		RELEASED	19MAR09	TA	HY
B		REVISED	18SEP2015	KK	RK

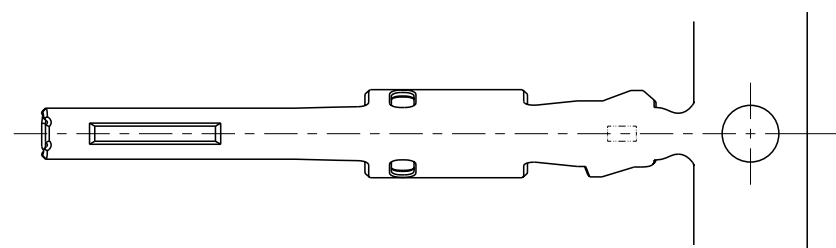


AS SHOWN: - 1  
本図: - 1



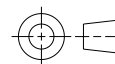
- 1. APPLICABLE WIRE RANGE:  
AESX/AVSSH/AVSS 0.3mm<sup>2</sup>
- 2. APPLICATOR FEED: 7.5mm
- ③ GOLD PLATED AREA FOR DISCRIMINATION.
- ④ MARKING FOR IDENTIFICATION.

- 1. 適用電線: AESX/AVSSH/AVSS 0.3mm<sup>2</sup>
- 2. アプリケータ送りピッチ: 7.5mm
- ③ 識別用金めつき範囲を示す。
- ④ 識別用刻印



THIS DRAWING IS A CONTROLLED DOCUMENT.

DIMENSIONS:  
単位: 耗  
mm



MATERIAL  
材料  
Cu Alloy

TOLERANCES UNLESS OTHERWISE SPECIFIED:  
一般公差 ±0.3  
0-PLC ±  
1-PLC ±0.5  
2-PLC ±0.13  
3-PLC ±0.013  
4-PLC ±0.001  
ANGLES ±3'00"

FINISH  
仕上  
SELECTIVE GOLD, TIN

DWN T. AKIGUCHI 26NOV08  
CHK R. KOMIYAMA 26NOV08  
APVD H. YAMAGAMI 26NOV08  
PRODUCT SPEC 108-78518  
APPLICATION SPEC 114-5400  
WEIGHT 0.16 g  
CUSTOMER DRAWING

WIRE RANGE 絶合電線断面積 0.37~0.38mm <sup>2</sup>		INSULATION DIA 被覆外径 φ1.4~φ1.5	
<b>TE</b> TE Connectivity			
NAME 名称 SEALED 0.50 RECEPTACLE CONTACT Au			
SIZE A3	CAGE CODE 00779	DRAWING NO C=1939350	RESTRICTED TO -
SCALE 尺度 5:1		SHEET 1	OF 1
		REV B	