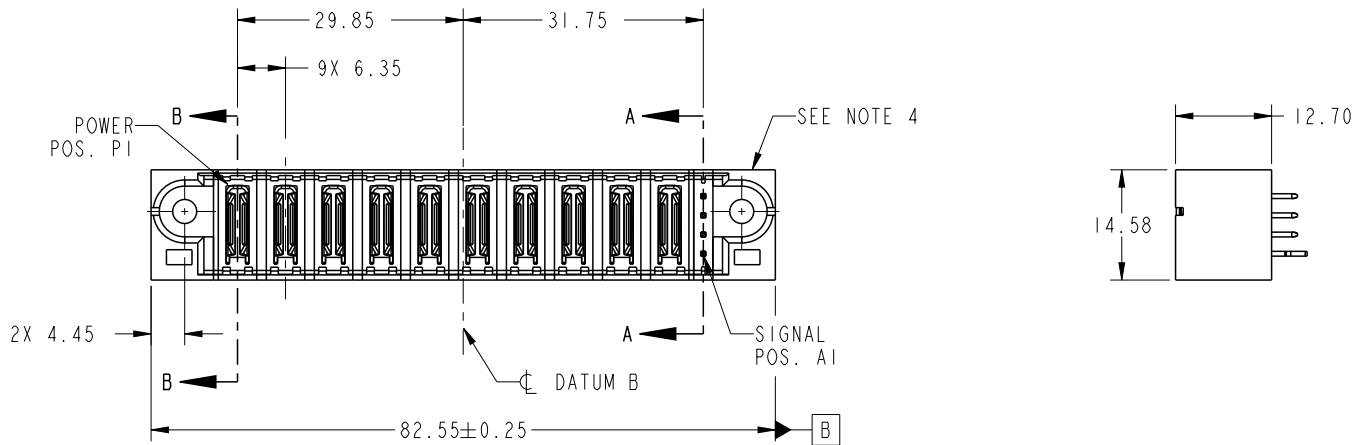


PRODUCT NO.	ROWS	POWER										SIGNAL		
		E1	P1	P2	P3	P4	P5	P6	P7	P8	P9	P10	1	E2
51952-195-- NOTE ③	DCBA		PA	PA	PA	PA	PA	PA	PA	PA	PA	PA	PA	



CODE	DIM "M" MATING LENGTH	CONTACT TYPE
PA	[N/A]	POWER
E	[6.86]	SIGNAL
HA	[N/A]	HOLD-DOWN

spec ref	See Notes		dr	Hong-Tu, Zhang	2011/08/15	projection 	MM 	size	A4	scale	1:1	
tolerance std	TOLERANCES UNLESS OTHERWISE SPECIFIED		eng	Guang, Shi	2011/08/26			ecn no	-			
See Notes			chr	-	-			rel level	Released			
surface	✓ linear	0.X	±0.50		IOP + 4S	www.fci.com	cat. no.	-	Product - Customer Drw	sheet 1 of 4	rev	A
		0.XX	±0.25								dwg no	51952-195
		0.XXX	±0.10								title	VERTICAL SOLDER HEADER
	angular	0°	±2°									



Copyright FCI.

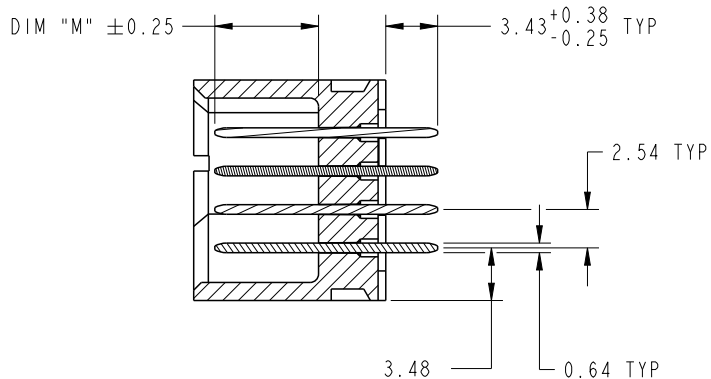
PrdE File - REV C - 2009-06-09

A

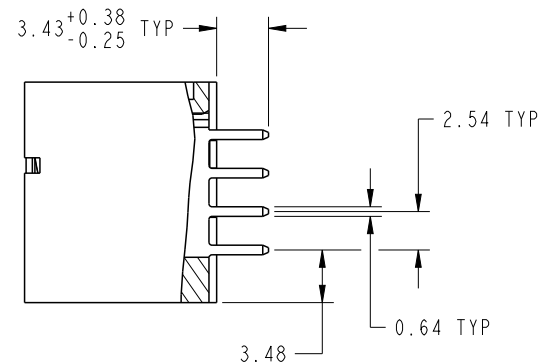
B

C

D



SECTION A-A  
SCALE 2:1



SECTION B-B  
SCALE 2:1

A

B

C

D

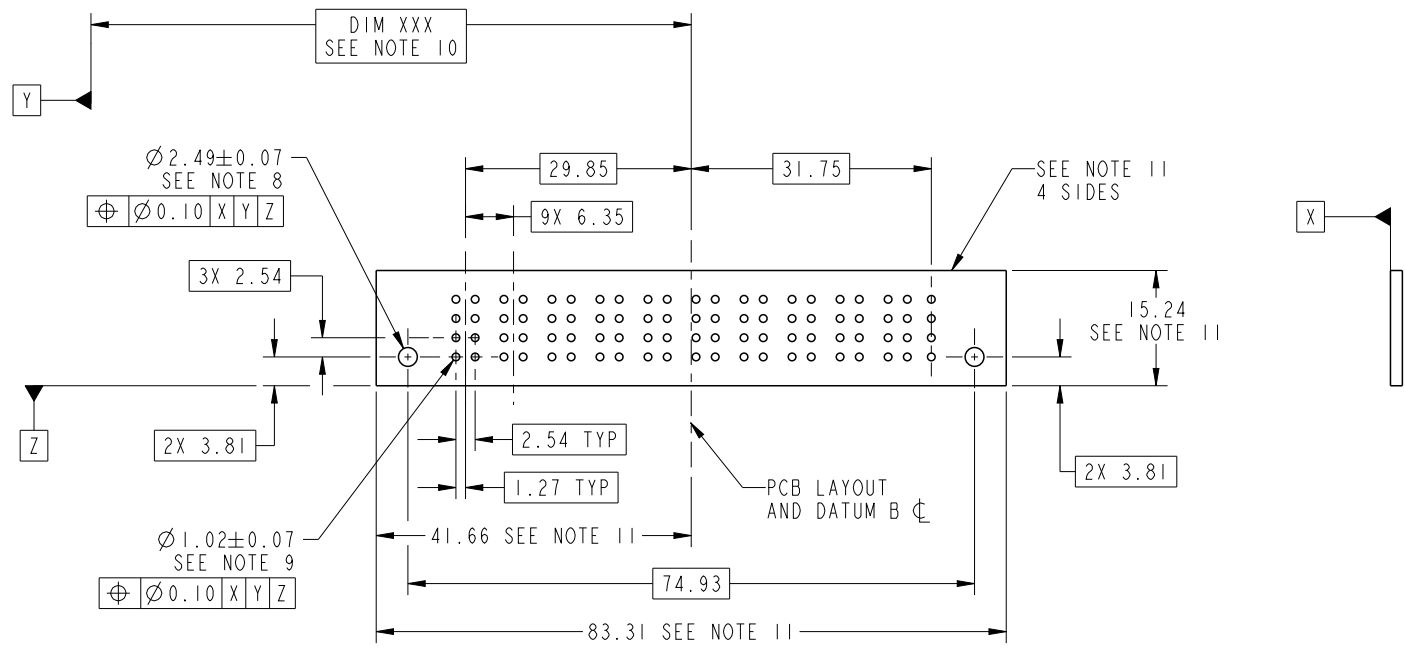


Copyright FCI.

spec ref		See Notes		dr	Hong-Tu, Zhang	2011/08/15	projection 	MM 	size	A4	scale	1:1		
tolerance std		TOLERANCES UNLESS OTHERWISE SPECIFIED		eng	Guang, Shi	2011/08/26			ecn no	-				
See Notes				chr	-	-				-				
surface		linear	0.X ±0.50	appr	Pei-Ming Zheng	2011/09/08	product family		PwrBlade	rel level	Released			
			0.XX ±0.25			title		10P + 4S		dwg no		51952-195	rev	A
		angular	0° ±2°	www.fci.com		cat. no.	-		Product - Customer Drw		sheet 2 of 4			



Copyright FCI.



RECOMMENDED PCB LAYOUT

spec ref	See Notes			dr	Hong-Tu, Zhang	2011/08/15	projection 	MM ←→	size	A4	scale	1:1	
tolerance std	TOLERANCES UNLESS OTHERWISE SPECIFIED			eng	Guang, Shi	2011/08/26			ecn no	-			
See Notes				chr	-	-				-			
surface	linear	0.X	±0.50	appr	Pei-Ming Zheng	2011/09/08	product family	PwrBlade		rel level	Released		
		0.XX	±0.25				title	10P + 4S		dwg no	51952-195	rev	A
		0.XXX	±0.10				cat. no.	-	Product - Customer Drw				
	angular	0°	±2°	www.fci.com			Product - Customer Drw		sheet 3 of 4				

PrdE File - REV C - 2009-06-09

NOTES:

1. DIMENSIONS AND TOLERANCES ARE IN ACCORDANCE WITH ASME Y14.5M, 1994 UNLESS OTHERWISE SPECIFIED.

CONNECTOR NOTES:

- ② HOUSING MATERIAL: UL 94 V-0 GLASS FILLED HIGH-TEMP THERMOPLASTIC  
POWER CONTACT MATERIAL: COPPER ALLOY  
SIGNAL PIN MATERIAL: COPPER ALLOY
- 3. SEE ITEM 1 & 2 IN PRINT 10064183 FOR PLATING SPEC OF 51952-195 AND 51952-195LF RESPECTIVELY.
- ④ MANUFACTURER'S NAME, DATE CODE AND OPTIONAL P/N TO APPEAR ON THIS SURFACE. THE P/N CAN BE OMITTED IF THERE IS NOT ENOUGH SPACE ON THIS SURFACE.
- 5. PRODUCT SPECIFICATION GS-12-149.  
APPLICATION SPECIFICATION BUS-20-067.
- 6. PACKAGED IN TRAYS.

PCB NOTES:

- 7. ALL HOLE DIAMETERS ARE FINISHED HOLE SIZE.
- 8. MOUNTING HOLES, WHERE APPLICABLE, ARE UNPLATED.

- ⑨  $\varnothing 1.151 \pm 0.025$  DRILLED HOLES PLATED WITH 0.008 MIN SnPb OR Sn OVER .001 [0.03] TO 0.08 Cu PLATING TO ACHIEVE  $\varnothing 1.02 \pm 0.07$  HOLE.
- ⑩ "DIM XXX" TO BE DETERMINED BY THE CUSTOMER.
- ⑪ CONNECTOR KEEP-OUT ZONE.

spec ref		See Notes		dr	Hong-Tu, Zhang	2011/08/15	projection 	MM 	size	A4	scale	1:1	
tolerance std		TOLERANCES UNLESS OTHERWISE SPECIFIED		eng	Guang, Shi	2011/08/26			ecn no		-		
See Notes				chr	-	-			rel level		Released		
surface				appr	Pei-Ming Zheng	2011/09/08	product family		PwrBlade		rev		
		linear	0.X	$\pm 0.50$		title	IOP + 4S		dwg no	51952-195		rev	A
			0.XX	$\pm 0.25$									
			0.XXX	$\pm 0.10$									
		angular	0°	$\pm 2^\circ$	www.fci.com	cat. no.	-		Product - Customer Drw		sheet 4 of 4		