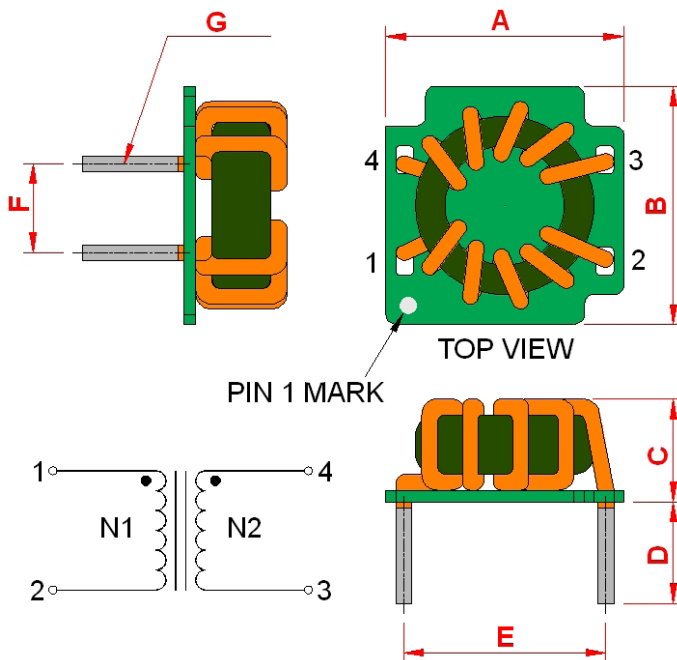


Common mode choke

| | |
|--------------------------|--|
| Order code | TCK-123 |
| Inductance | 1219 μ H \pm 35% (100 kHz /100 mV) |
| DCR | 26.2 m Ω |
| Rated current | 4.0 A max. |
| Rated voltage | 500 VDC |
| Operating temperature | -40 $^{\circ}$ C to +105 $^{\circ}$ C |
| Recommended Through Hole | \varnothing 0.8 mm |



Dimensions [mm]

| | |
|---|------------------------|
| A | 16.6 \pm 0.4 |
| B | 16.4 \pm 0.4 |
| C | 12.5 max. |
| D | 5.0 \pm 1.0 |
| E | 13.9 \pm 0.5 |
| F | 6.1 \pm 0.5 |
| G | \varnothing 0.6 max. |