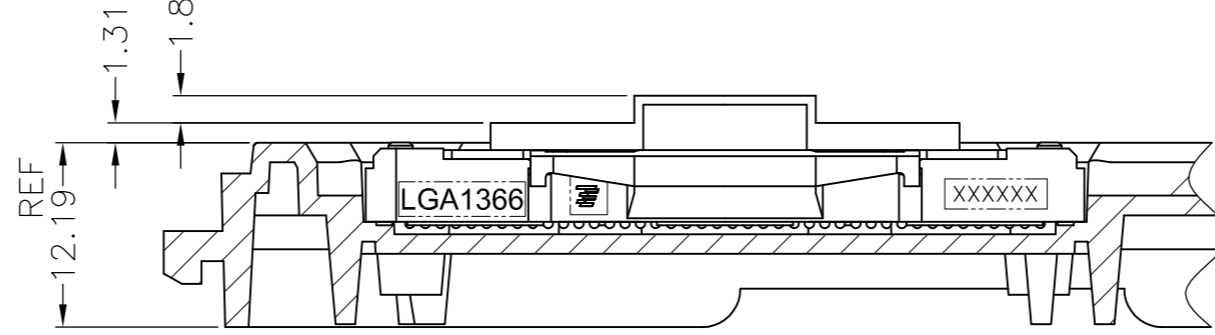
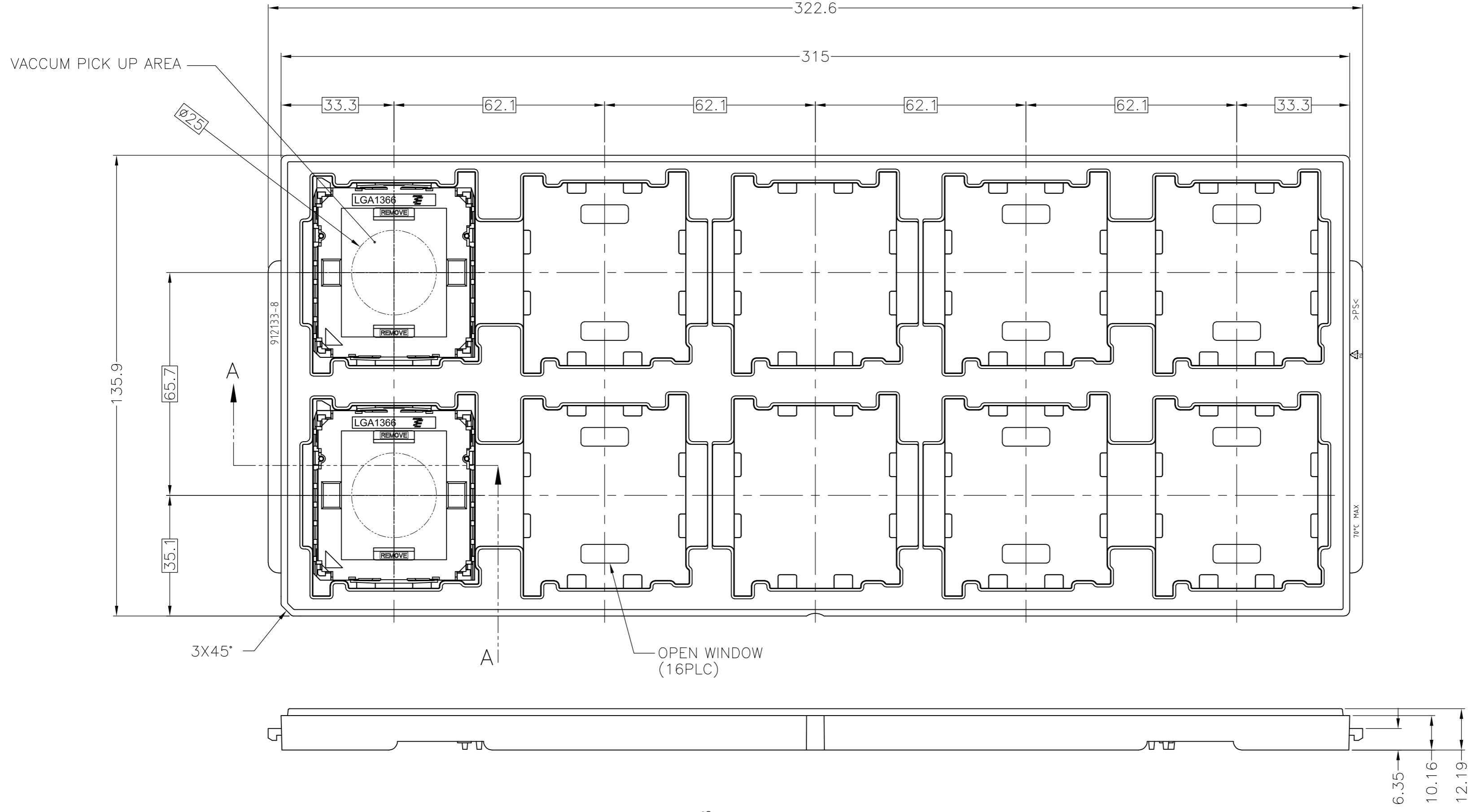


THIS DRAWING IS UNPUBLISHED. RELEASED FOR PUBLICATION
 © COPYRIGHT - By - ALL RIGHTS RESERVED.

LOC		DIST		REVISIONS			
P	LTR	DESCRIPTION		DATE	DWN	APVD	
-	-	C3	REVISED	07JAN'13	R.W	T.N	



A-A (SCALE 2:1)
 (SOCKET ASSY IS NOT SECTIONEND)

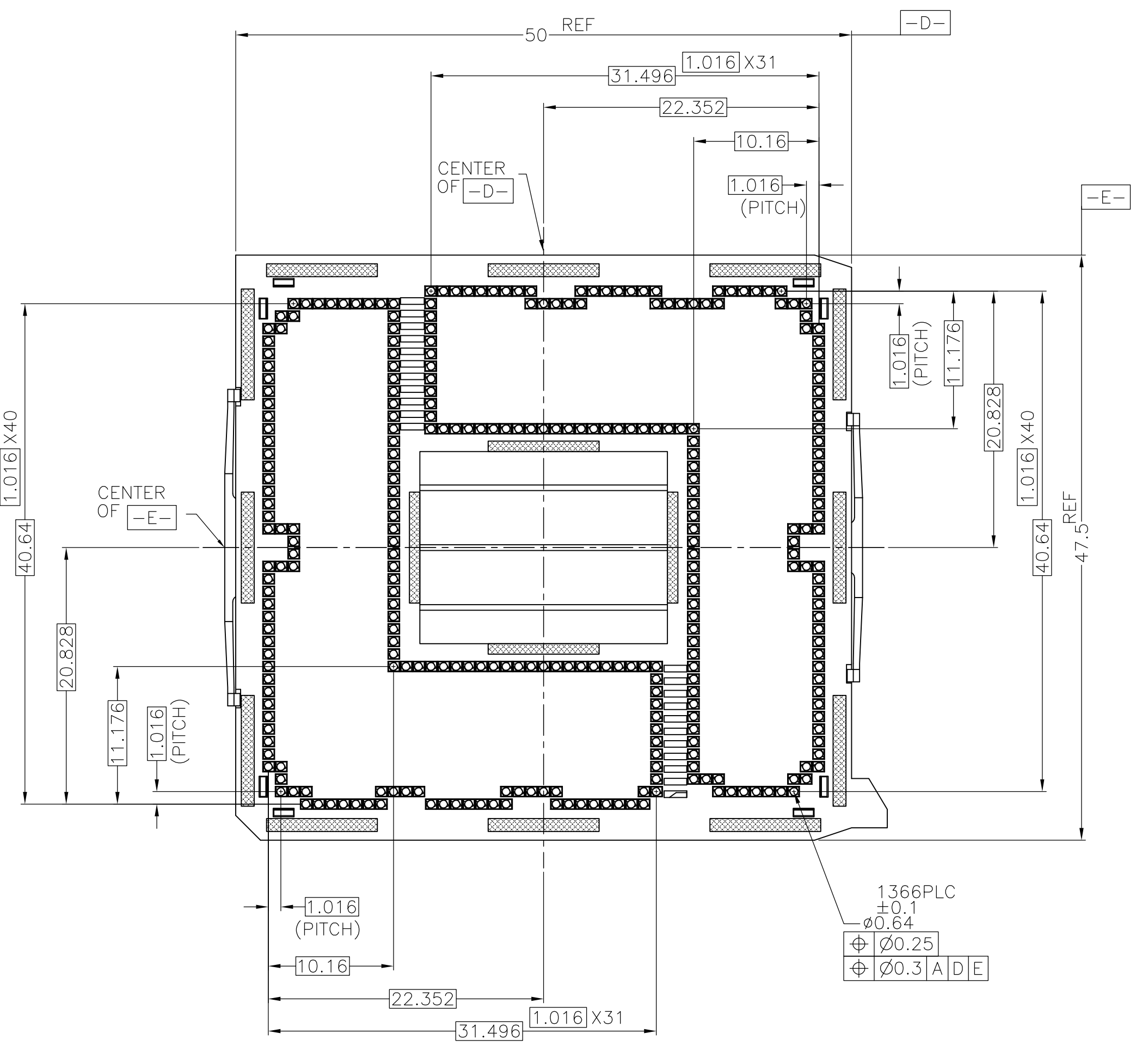
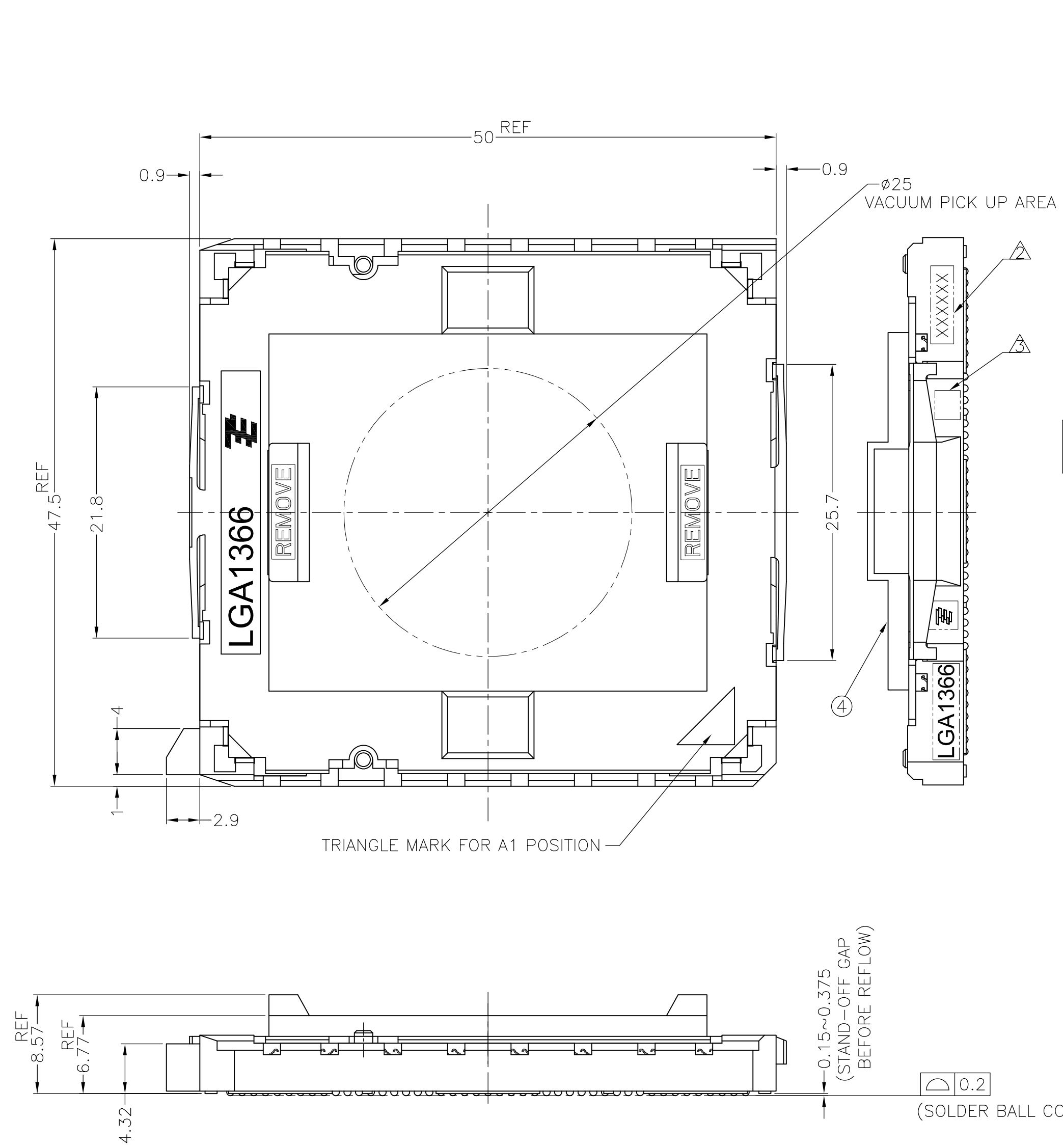
1. MATERIAL
- ① HOUSING : HIGH TEMP, THERMO-PLASTIC, UL94V-0, BLACK
 - ② CONTACT : COPPER ALLOY
FINISH : Au PL. AT CONTACT AREA ON OVERALL OVER Ni UNDER PL. 0.00127 MIN.
 - ③ SOLDER BALL : Sn/Ag/Cu FOR LEAD FREE PRODUCT.
 - ④ CAP : HIGH TEMP. THERMO-PLASTIC, UL94V-0, BLACK
- △ INDICATED DATE CODE ON THE HSG
 △ INDICATED "Pb" FOR LEADED SOLDER BALL PRODUCT

0.76 um MIN	LEADED	1-1981837-2
0.76 um MIN	LEAD FREE	1981837-2
0.38 um MIN	LEAD FREE	1981837-1
Au AT CONTACT AREA	SOLDER BALL	PART NUMBER

THIS DRAWING IS A CONTROLLED DOCUMENT.		DWN H.TAGUCHI 28AUG2007			
DIMENSIONS: mm		CHK S.HASHIMOTO 28AUG2007			
TOLERANCES UNLESS OTHERWISE SPECIFIED:		APVD S.HASHIMOTO 28AUG2007	NAME		
0 PLC ± 1 PLC ± 2 PLC ±0.5 3 PLC ±3 4 PLC ± ANGLES ± FINISH -		PRODUCT SPEC	SOCKET ASSY LGA1366		
MATERIAL		APPLICATION SPEC	SIZE A2	CAGE CODE 00779	DRAWING NO C=1981837
WEIGHT 13.4 g		CUSTOMER DRAWING	RESTRICTED TO -	SCALE 1:1	SHEET 1 of 4
			REV C3		

THIS DRAWING IS UNPUBLISHED. RELEASED FOR PUBLICATION
 © COPYRIGHT - By - ALL RIGHTS RESERVED.

LOC		DIST		REVISIONS			
P	LTR	DESCRIPTION	DATE	DWN	APVD		
-	-	SEE SHEET 1	-	-	-		

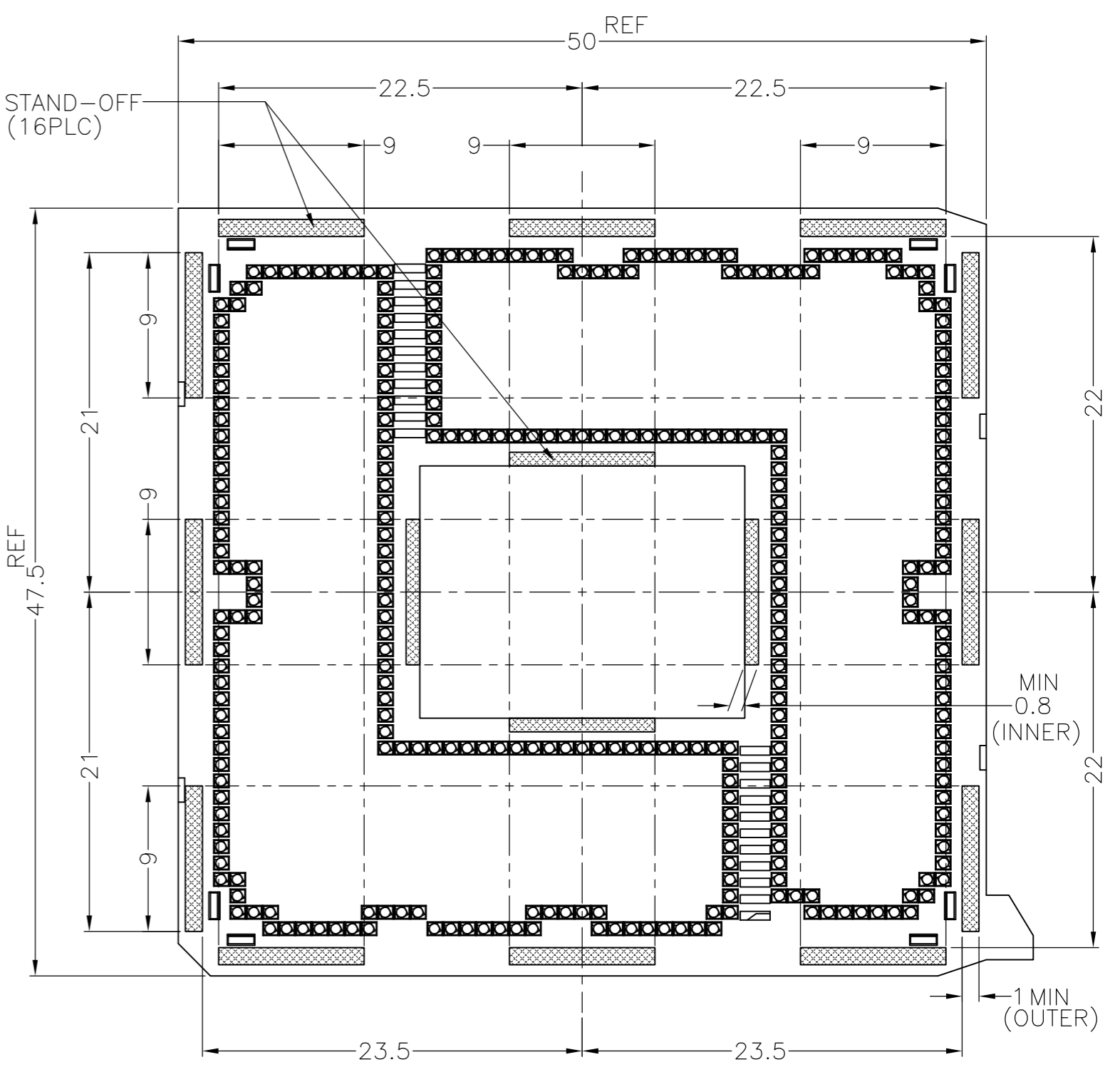
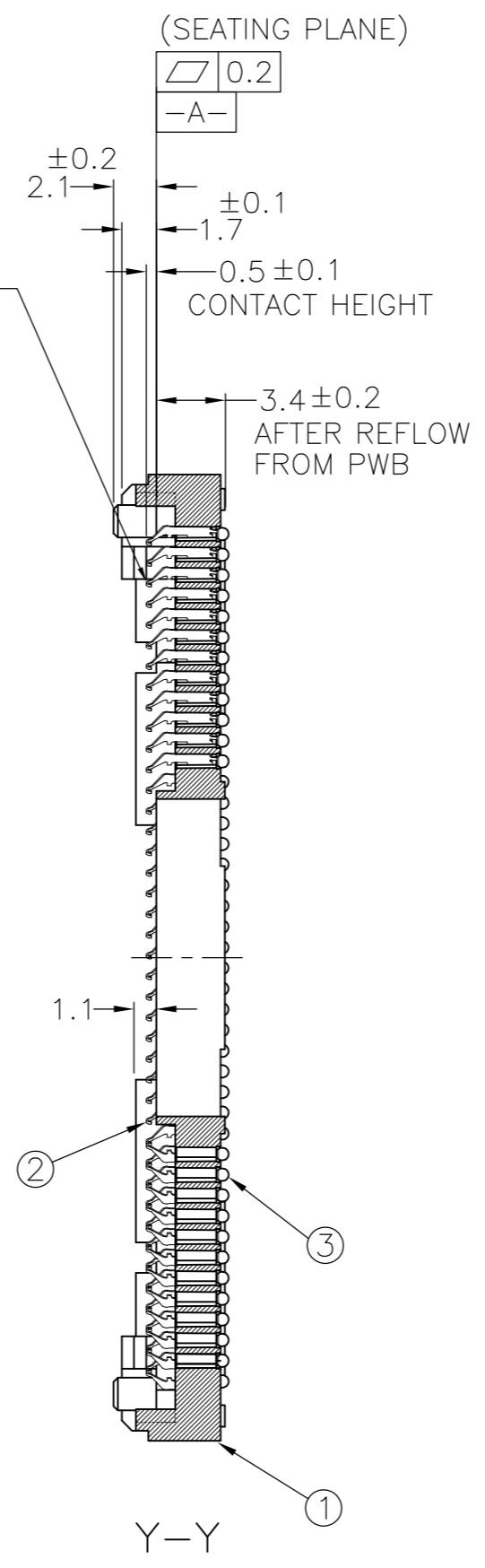
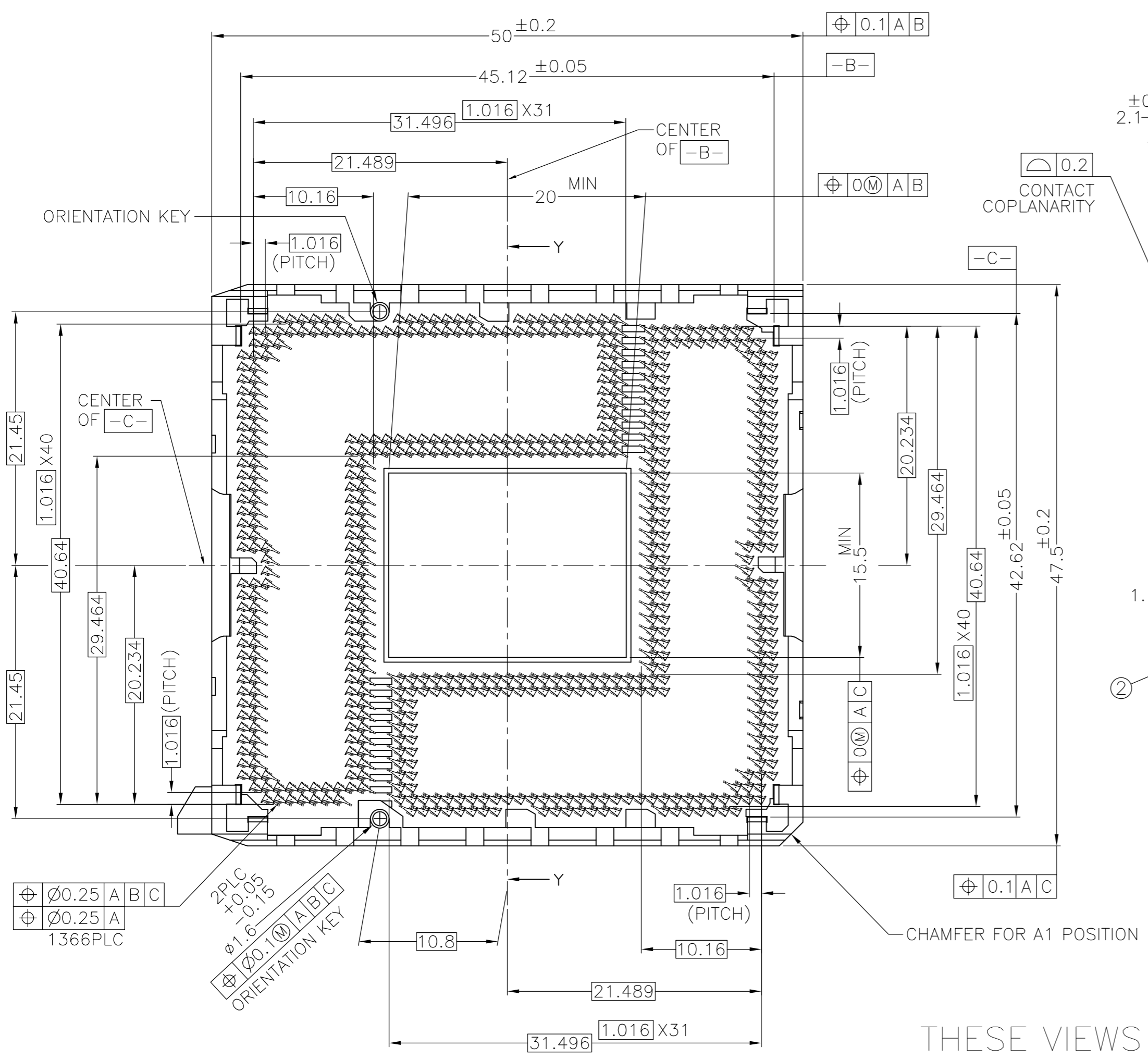


1-1981837-2, 1981837-1&-2 : AS SHOWN

THIS DRAWING IS A CONTROLLED DOCUMENT.		DWN	STE TE Connectivity	
DIMENSIONS: mm		CHK		
TOLERANCES UNLESS OTHERWISE SPECIFIED:		APVD	NAME	
0 PLC ± 0.3		PRODUCT SPEC	SOCKET ASSY	
1 PLC ± 0.3		APPLICATION SPEC	LGA1366	
2 PLC ± 0.3		WEIGHT	SIZE	CAGE CODE
3 PLC ± 0.3		CUSTOMER DRAWING	A2	00779
4 PLC ± 0.3		SCALE	DRAWING NO	
ANGLES ± 3°		SHEET	C=1981837	
FINISH		RESTRICTED TO	-	
		SCALE	NTS	
		SHEET	2 of 4	
		REV	C3	

THIS DRAWING IS UNPUBLISHED. RELEASED FOR PUBLICATION
 © COPYRIGHT - By - ALL RIGHTS RESERVED.

LOC		DIST		REVISIONS			
P	LTR	DESCRIPTION		DATE	DWN	APVD	
-	-	SEE SHEET 1		-	-	-	



THESE VIEWS DON'T SHOW CAP

Ø0.25 A B C	2 PLC +0.05
Ø0.25 A	-0.15
1366PLC	Ø1.6 ±0.1 (M) A B C

THIS DRAWING IS A CONTROLLED DOCUMENT.		DWN	TE Connectivity	
DIMENSIONS:	TOLERANCES UNLESS OTHERWISE SPECIFIED:	CHK	NAME	
mm	0 PLC ± 0.3	APVD	SOCKET ASSY	
	1 PLC ± 0.3	PRODUCT SPEC	LGA1366	
	2 PLC ± 0.3	APPLICATION SPEC	SIZE	CAGE CODE
	3 PLC ± 0.3	WEIGHT	A2	00779
	4 PLC ± 0.3	CUSTOMER DRAWING	C=1981837	
MATERIAL	FINISH	SCALE	SHEET	REV
		NTS	3 of 4	C3

