

TABLE 1 : UNITIZED CONNECTOR WITH HOLD DOWN MODULE

PART NUMBER	NUMBER OF POWER MODULES	"DIM A"	PLATING OPTION	HOLD DOWN MODULE LOCATION
78684-1005	1X	10.90	TIN	LEFT (REFER TO SHEET 2 FOR DETAILS)
78684-1055	2X	18.30		
78684-2005	1X	10.90		RIGHT (REFER TO SHEET 3 FOR DETAILS)
78684-2055	2X	18.30		

PART NUMBER LEGEND: 78684-\*0\*\*

PLATING OPTION	HOLD DOWN MODULE LOCATION	*
TIN	LEFT	1
	RIGHT	2

POWER MODULE 2			
*	BLADE LENGTH		
	P1	P2	P3
0	MODULE NOT PRESENT		
5	6.77	8.27	9.77

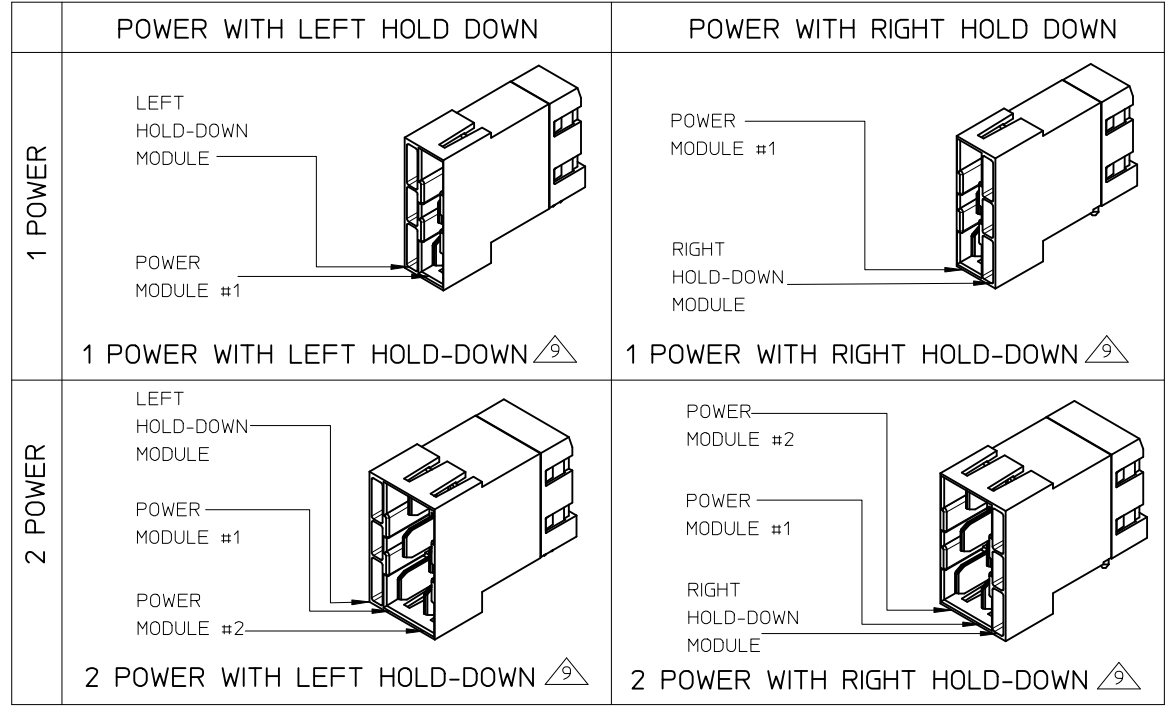
POWER MODULE 1			
*	BLADE LENGTH		
	P1	P2	P3
5	6.77	8.27	9.77

NOTES

- MATERIALS :  
HOUSING - HIGH TEMP. THERMOPLASTIC, GLASS FILLED, UL94-V0,COLOR:BLACK.  
POWER PIN - COPPER ALLOY
- FINISHES :  
POWER CONTACTS  
0.76µm MINIMUM GOLD AT CONTACT AREA AND  
2.54µm MINIMUM TIN AT SOLDERTAIL AREA OVER  
1.27µm MINIMUM NICKEL UNDERPLATE.
- PRODUCT SPECIFICATION: PS-78231-006.
- COMPONENT STAY AWAY ZONE FROM CONNECTOR.
- PCB NOTE FOR PLATED HOLE.

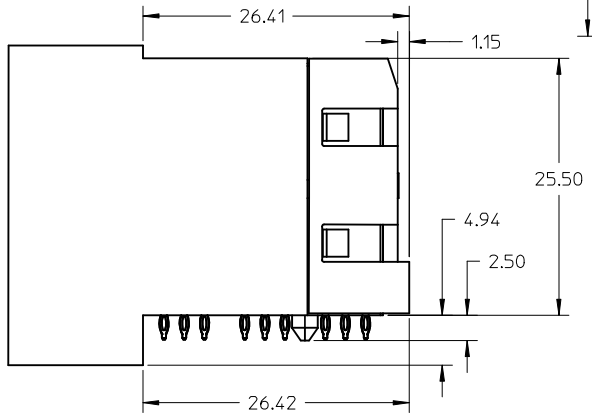
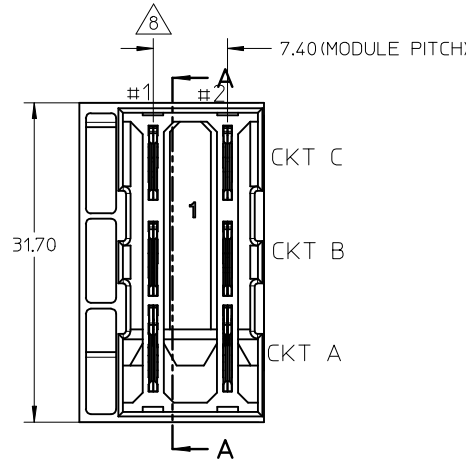
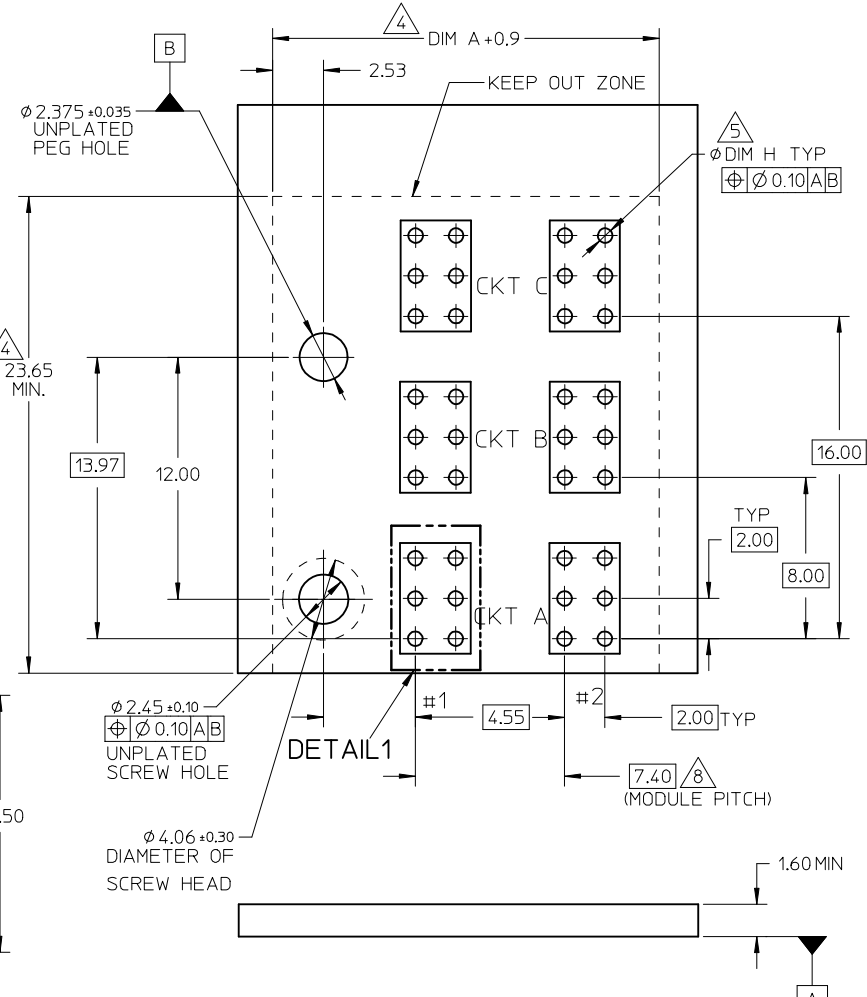
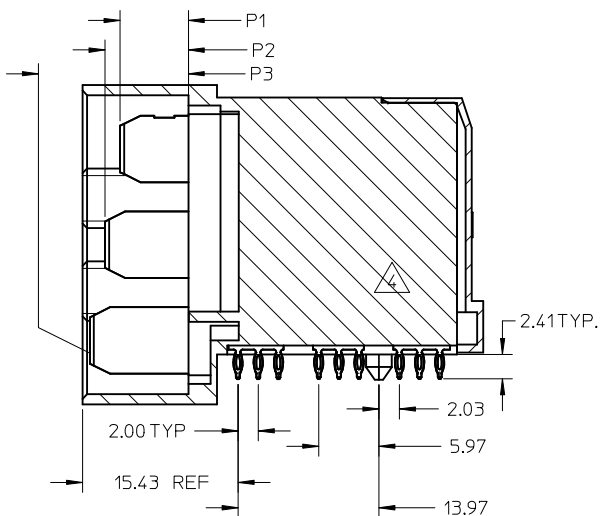
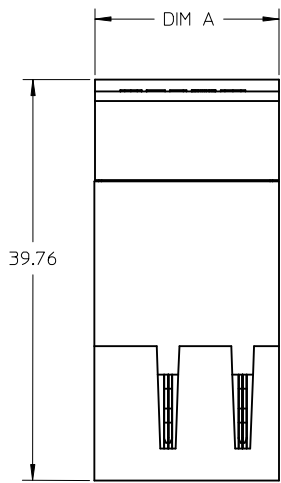
TYPE OF PLATED HOLE	DRILLED HOLE SIZE	PLATING THICKNESS	PLATED HOLE SIZE "ØDIM H"
TIN/TIN-LEAD	0.838	0.007 MIN TIN/TIN-LEAD/SILVER	0.725±0.075
SILVER	0.863	OVER 0.03 TO 0.08 COPPER PLATING	0.750±0.050

- MATES WITH 78237-\*\*\*\*.
- PART NUMBER AND YEAR-DAY CODE
- ADD 7.40mm FOR EACH ADDITIONAL MODULE.
- THE DETAILS FOR LEFT HOLD DOWN OPTION SHOWN ON SHEET 2 AND RIGHT HOLD DOWN OPTION SHOWN ON SHEET 3.
- CONNECTORS ARE PACKED IN A TRAY.
- MODULE LOCATION IS FROM NEXT TO HOLD DOWN MODULE WITH STARTING MODULE AS "#1".
- BOTTOM AND TOP CIRCUITS ARE INDICATED AS "CKT A" AND "CKT B".
- ALL PARTS ARE SHIPPED WITH A 2-32 TYPE AB SELF-TAPPING SCREW PART NUMBER 73726-0005.
- PACKAGING PROCEDURE AS PER PK-78684-500.

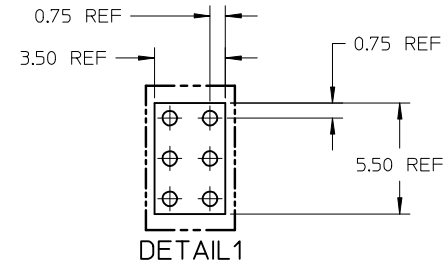


<b>REV NOTE 14</b> EC NO: S2014-0329 DRWN: SHONG 2013/09/30 CHKD: HCGOH 2013/10/16 APPR: SILENI 2013/10/17	QUALITY SYMBOLS	GENERAL TOLERANCES (UNLESS SPECIFIED)	DIMENSION STYLE	SCALE	DESIGN UNITS	THIRD ANGLE PROJECTION	
	= 0	mm INCH	MM ONLY	NTS	METRIC		
	= 0	4 PLACES ± --- ± ---	DRAWN BY DATE				
		3 PLACES ± --- ± ---	CHECKED BY DATE				
	2 PLACES ± 0.25 ± ---	APPROVED BY DATE					
	1 PLACE ± --- ± ---	MATERIAL NO.					
	ANGULAR ± 3 °	DRAFT WHERE APPLICABLE MUST REMAIN WITHIN DIMENSIONS					
		SEE TABLE		I-TRAC POWER, 15 ROW HEADER WITH HOLD DOWN PRESS FIT, RIGHT ANGLE MOLEX INCORPORATED SD-78684-001			
		THIS DRAWING CONTAINS INFORMATION THAT IS PROPRIETARY TO MOLEX INCORPORATED AND SHOULD NOT BE USED WITHOUT WRITTEN PERMISSION		SHEET NO. 1 OF 3			

LEFT HOLD DOWN OPTION



PCB LAYOUT HOLD DOWN LEFT  
(COMPONENT SIDE SHOWN)



REV NOTE 14  
EC NO: S2014-0329  
DRWN: SHONG  
CHKD: HICGH  
APPR: SILENI  
2013/09/30  
2013/10/16  
2013/10/17

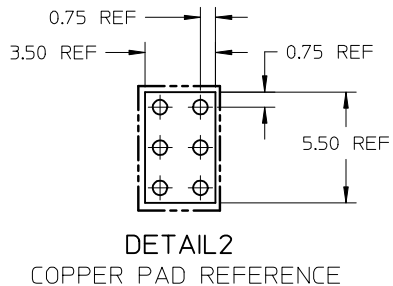
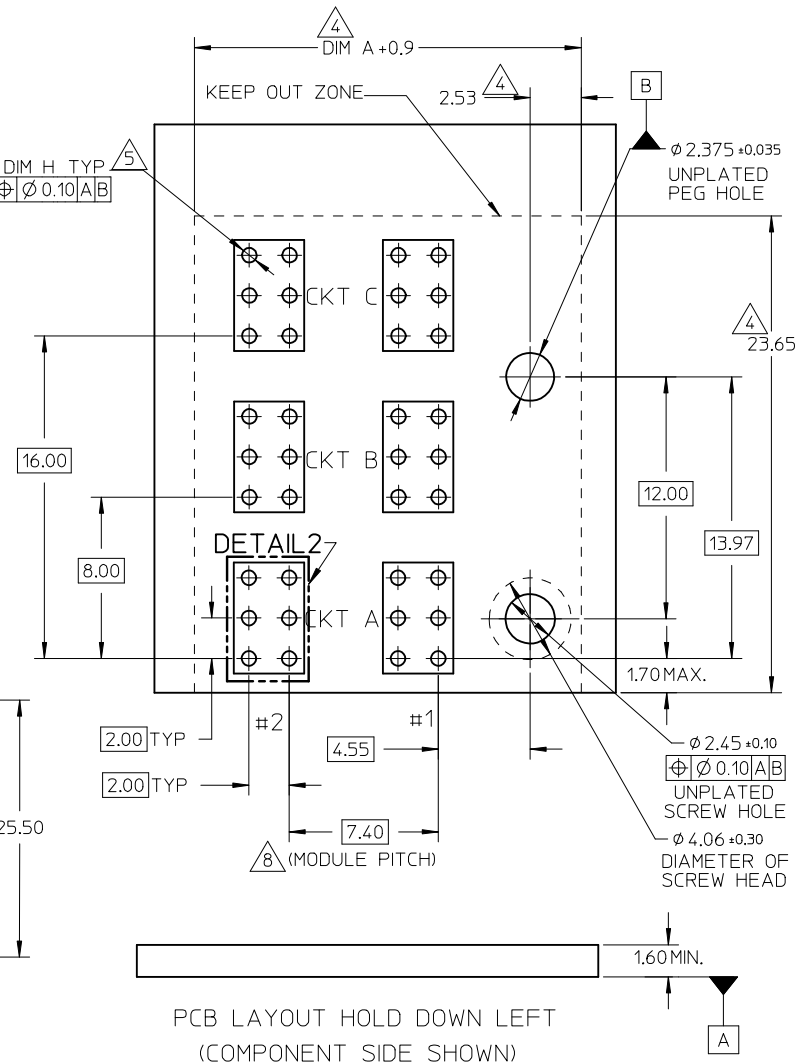
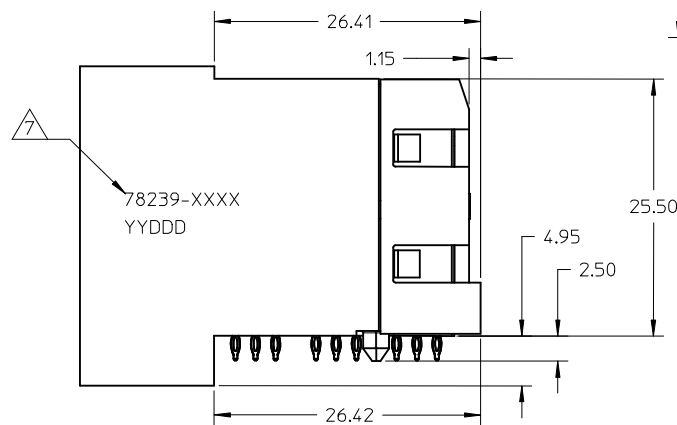
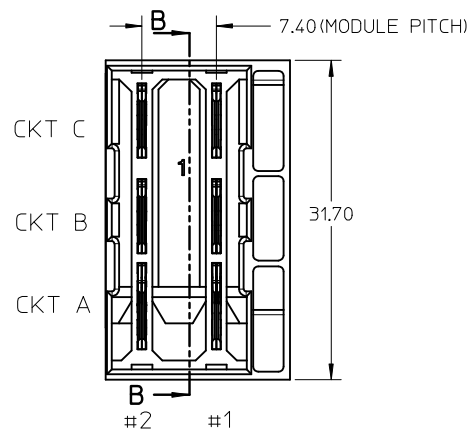
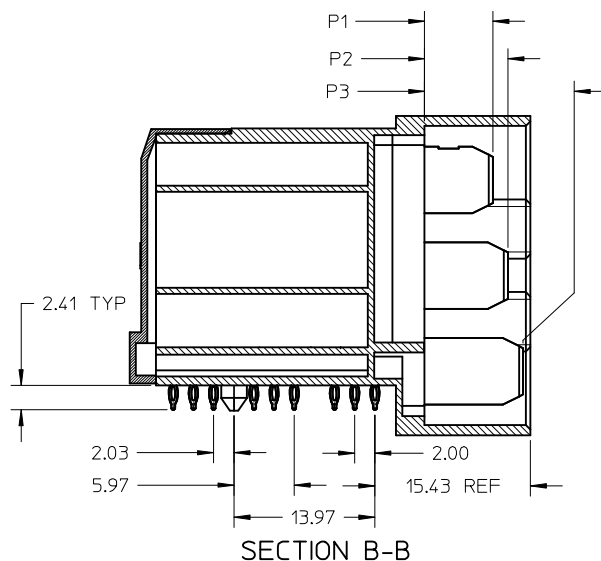
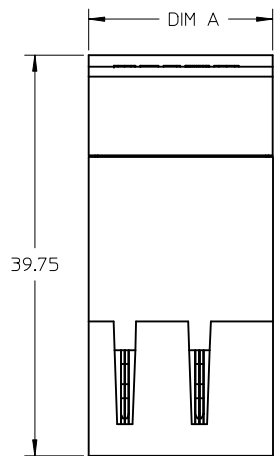
REV	DESCRIPTION
1	QUALITY SYMBOLS
2	QUALITY SYMBOLS

GENERAL TOLERANCES (UNLESS SPECIFIED)	
	mm
	INCH
4 PLACES	± ---
3 PLACES	± ---
2 PLACES	± 0.25
1 PLACE	± ---
ANGULAR ± 3 °	
DRAFT WHERE APPLICABLE MUST REMAIN WITHIN DIMENSIONS	

DIMENSION STYLE	
MM ONLY	
DRAWN BY	DATE
SHONG	2011/10/31
CHECKED BY	DATE
LNG	2011/11/17
APPROVED BY	DATE
NAGESHKN	2011/12/02
MATERIAL NO.	
SEE TABLE	
SIZE	A3

SCALE	NTS	DESIGN UNITS	METRIC	THIRD ANGLE PROJECTION
TITLE				
I-TRAC POWER, 15 ROW HEADER WITH HOLD DOWN PRESS FIT, RIGHT ANGLE				
MOLEX INCORPORATED				
DOCUMENT NO.				SHEET NO.
SD-78684-001				2 OF 3
THIS DRAWING CONTAINS INFORMATION THAT IS PROPRIETARY TO MOLEX INCORPORATED AND SHOULD NOT BE USED WITHOUT WRITTEN PERMISSION				

RIGHT HOLD DOWN OPTION



<b>REV NOTE 14</b> EC NO: S2014-0329 DRWN: SHONG CHKD: HCGH APPR: SILENI	2013/09/30	QUALITY SYMBOLS ▽=0 ◻=0
	2013/10/16	
	2013/10/17	
DESCRIPTION		

GENERAL TOLERANCES (UNLESS SPECIFIED)	
mm	INCH
4 PLACES	± --- ± ---
3 PLACES	± --- ± ---
2 PLACES	± 0.25 ± ---
1 PLACE	± --- ± ---
ANGULAR ± 3 °	
DRAFT WHERE APPLICABLE MUST REMAIN WITHIN DIMENSIONS	

DIMENSION STYLE	
MM ONLY	
DRAWN BY	DATE
SHONG	2011/10/31
CHECKED BY	DATE
LNG	2011/11/17
APPROVED BY	DATE
NAGESHKN	2011/12/02
MATERIAL NO.	
SEE TABLE	
SIZE	
A3	

SCALE	DESIGN UNITS	THIRD ANGLE PROJECTION
NTS	METRIC	
TITLE		
I-TRAC POWER, 15 ROW HEADER WITH HOLD DOWN PRESS FIT, RIGHT ANGLE		
MOLEX INCORPORATED		
DOCUMENT NO.		SHEET NO.
SD-78684-001		3 OF 3
THIS DRAWING CONTAINS INFORMATION THAT IS PROPRIETARY TO MOLEX INCORPORATED AND SHOULD NOT BE USED WITHOUT WRITTEN PERMISSION		