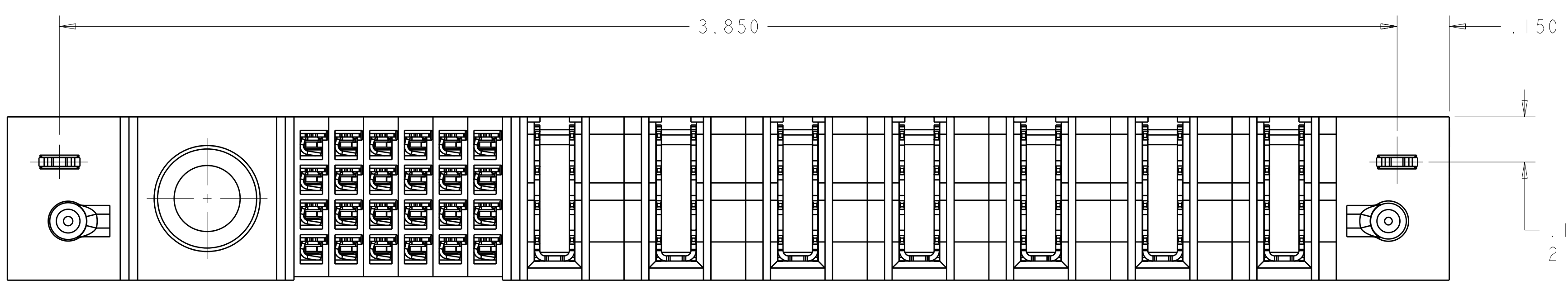
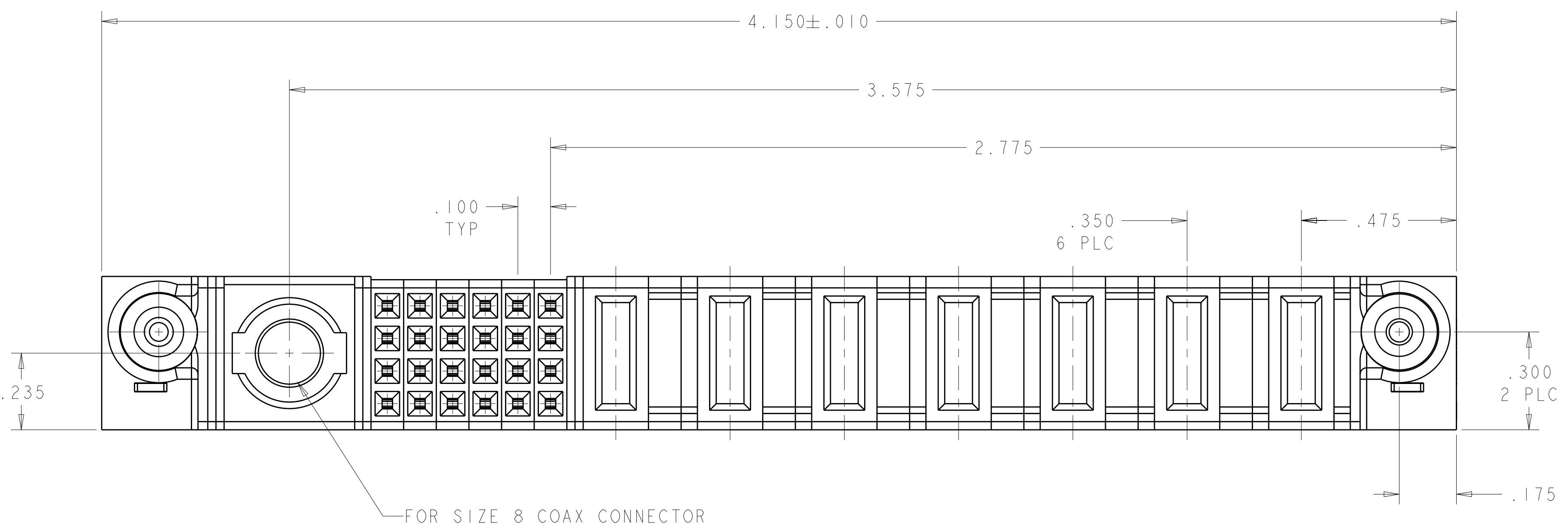
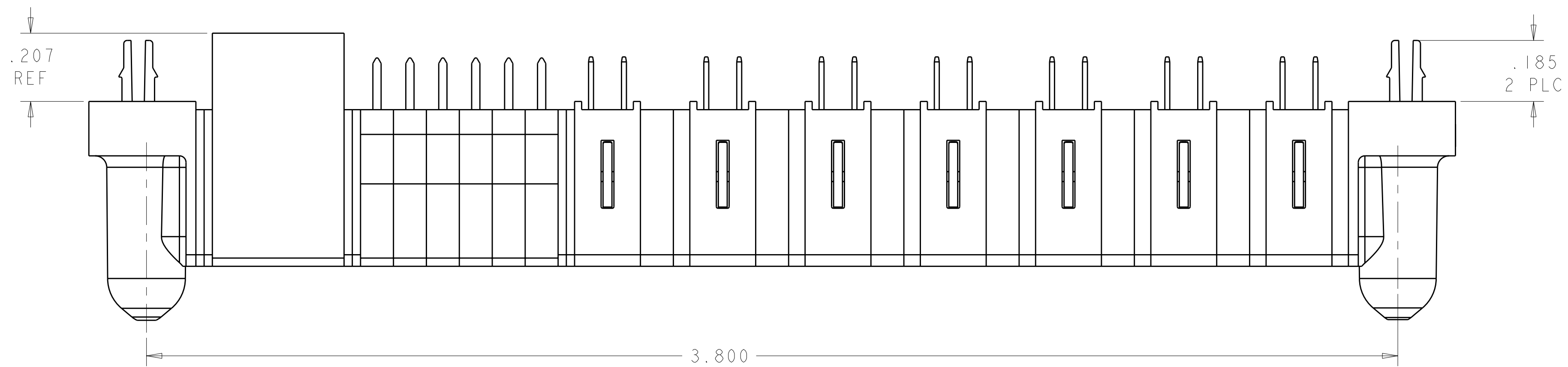


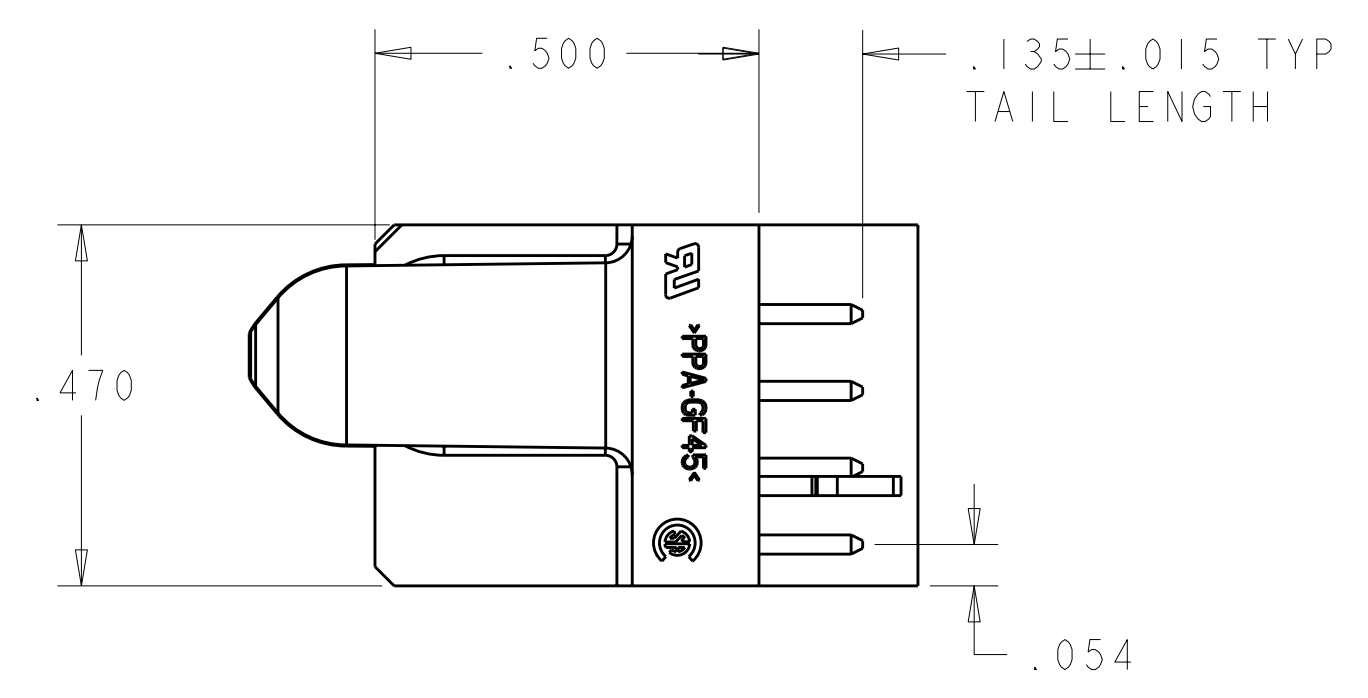
LOC	DIST	REVISIONS				
ES	00	REV	DESCRIPTION	DATE	DWN	APVD
		A	ECR PER ECR-07-03068	19DEC2007	HL	SY



- △ "AMP", TRADEMARK, PART NUMBER AND DATE CODE TO BE MARKED IN AREA SHOWN
- △ MATERIAL: HOUSING - GLASS FILLED HIGH TEMP THERMO PLASTIC, UL94 V-0
 SIGNAL CONTACT - HIGH CONDUCTIVITY COPPER ALLOY
 POWER CONTACT - HIGH CONDUCTIVITY COPPER ALLOY
- △ CONTACT PLATING: SIGNAL CONTACTS - .000050 MIN Ni UNDER ALL
 .000030 MIN Au ON CONTACT AREA
 .000100 MIN Sn AT PCB INTERFACE
 POWER CONTACTS - .000050 MIN Ni UNDER ALL
 .000030 MIN Au ON CONTACT AREA
 .000100 MIN Sn AT PCB INTERFACE
- △ MECHANICAL CONNECTOR KEEP OUT ZONE
- △ DATUM AND BASIC DIMENSIONS ESTABLISHED BY CUSTOMER
- △ PCB - ALL HOLE DIAMETERS ARE FINISHED HOLE SIZES
- △ PCB - .0453 ± .0010 DRILLED HOLES PLATED WITH .0003 MIN Sn OVER
 .001 TO .003 CU PLATING TO ACHIEVE A .040 ± .003 DIA HOLE



FOR SIZE 8 COAX CONNECTOR

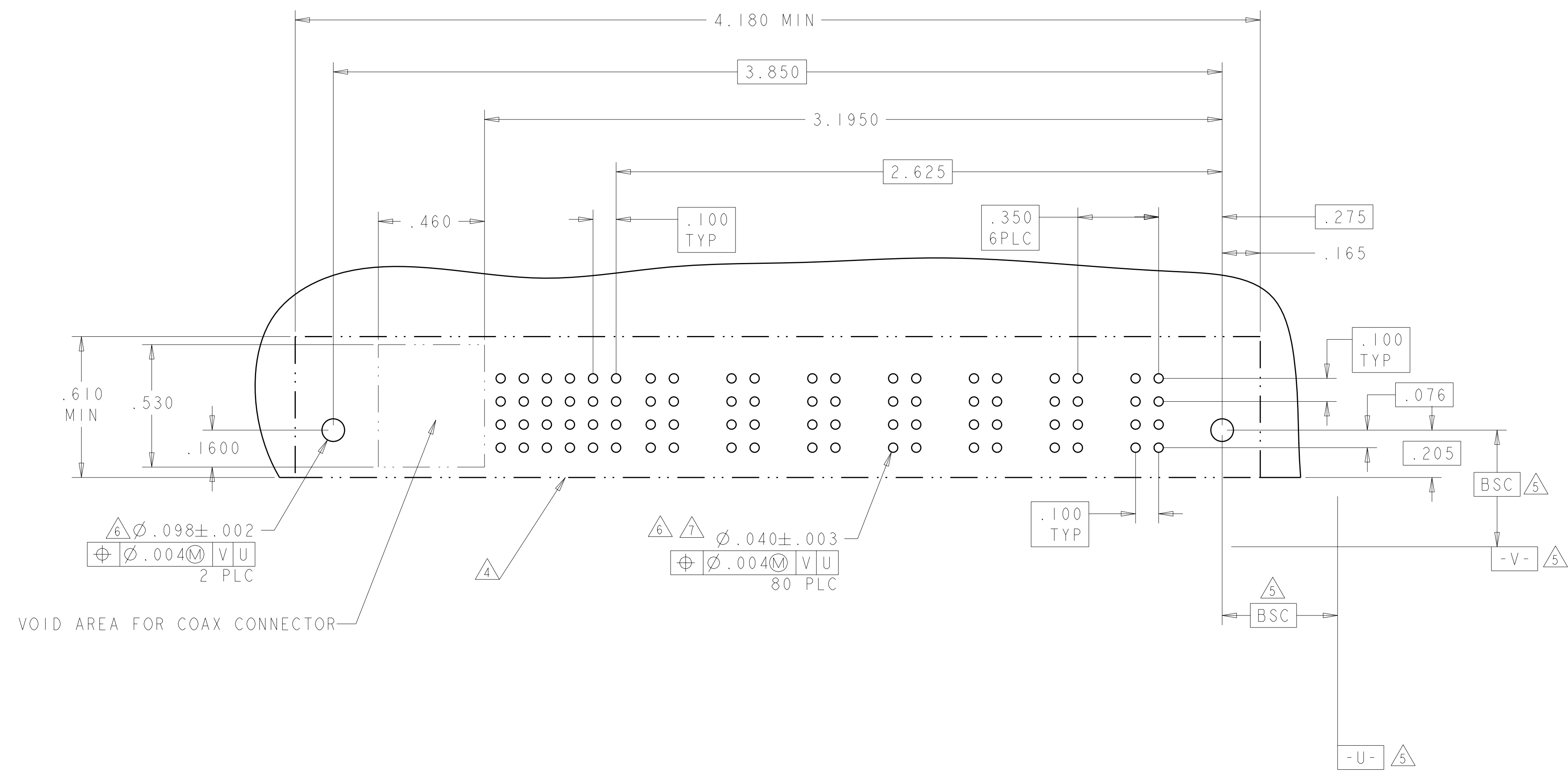


7ACP + 24S + 1RF	1932042-1
DESCRIPTION	PART NUMBER

<small>THIS DRAWING IS UNPUBLISHED. RELEASED FOR PUBLICATION BY TYCO ELECTRONICS CORPORATION. ALL RIGHTS RESERVED.</small>		DWN: S. ZHAO 200C12007 CHK: S. ZHAO 200C12007 APVD: S. YAO	Tyco Electronics Corporation Shanghai, P.R.China, 200233
DIMENSIONS: INCHES TOLERANCES UNLESS OTHERWISE SPECIFIED: 9 PLC ± .01 5 PLC ± .01 4 PLC ± .005 ANGLE ± .0020	PRODUCT SPEC: 108-1973 APPLICATION SPEC: 114-13038	NAME: VERTICAL RECEPTACLE ASSEMBLY, WITH GUIDES AND COAX MULTI-BEAM XL SIZE: A11 CAGE CODE: 00779 DRAWING NO: C=1932042	RESTRICTED TO: - SCALE: 4:1 SHEET: 1 OF 2 REV: A
MATERIAL: PPA-GF-45		CUSTOMER DRAWING	

LOC	DIST	REV	DATE	BY	APPD
ES	00				
DESCRIPTION			DATE	BY	APPD
SEE SHEET 1					

PART NUMBER	ROWS	RF	SIGNAL							POWER								
			1	6	5	4	3	2	1	P7	P6	P5	P4	P3	P2	P1		
1932042-1	D C B A	○ ○ HD	E	E	E	E	E	E	E	VA	VM	VM	VM	VM	VM	VM	VM	
			E	E	E	E	E	E	E									
			E	E	E	E	E	E	E									
			E	E	E	E	E	E	E									
7ACP + 24S + 1RF																		



VOID AREA FOR COAX CONNECTOR

E	SIGNAL CONTACT
VM	POWER CONTACT, STD
VA	POWER CONTACT, MFBL
CODE	DESCRIPTION
CONTACTS	

<small>THIS DRAWING IS UNPUBLISHED. RELEASED FOR PUBLICATION. ALL RIGHTS RESERVED. THIS IS SUBJECT TO CHANGE WITHOUT NOTICE AND WITHOUT OBLIGATION. DIMENSIONS SHOWN ARE CONTACTS FOR THE LATEST REVISION.</small>		DWN: S. ZHAO 200C12007 CHK: S. ZHAO 200C12007 APVD: S. YAO	Tyco Electronics Corporation Shanghai, P.R.China, 200233
DIMENSIONS: INCHES 	TOLERANCES UNLESS OTHERWISE SPECIFIED: 9 PLC ±. 8 PLC ±.01 5 PLC ±.005 4 PLC ±.0020 ANGLES ±.0°	NAME: S. YAO PRODUCT SPEC: 108-1973 APPLICATION SPEC: 114-13038 WEIGHT: - CUSTOMER DRAWING	VERTICAL RECEPTACLE ASSEMBLY, WITH GUIDES AND COAX MULTI-BEAM XL SIZE: A 00779 C=1932042 SCALE: 4:1 SHEET 2 OF 2 REV A