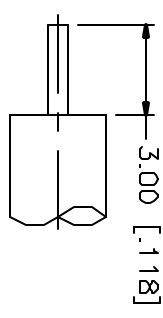
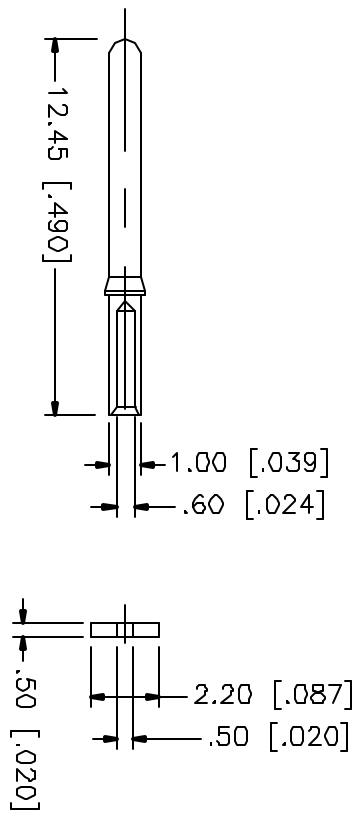
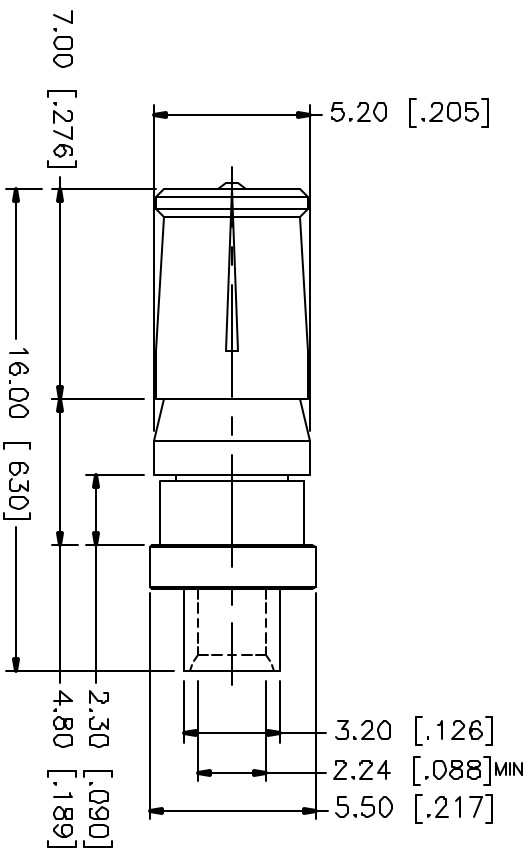


REV.	DATE	DESCRIPTION
NC	08/16/01	INITIAL RELEASE



RECOMMENDED
CABLE STRIPPING DIM'S



DESCRIPTION	MATERIAL	FINISH	UNLESS OTHERWISE SPECIFIED, DIMENSIONS ARE IN MILLIMETERS DIMENSIONS IN [] ARE IN INCHES FOR CUSTOMER REFERENCE ONLY	APPROVALS	DATE	<p>D-SUB SEMI-RIGID JACK (RG .085", .086" SEMI RIGID CABLE)</p>
1 BODY	BRASS	GOLD	UNLESS OTHERWISE SPECIFIED, TOLERANCES FOR MILLIMETERS ARE: 0.5-6 = ± 0.2 6-30 = ± 0.4 30-120 = ± 0.6 120-315 = ± 1 315-1000 = ± 1.6 1000-2000 = ± 2.4	DRAWN	08/16/01	
2 INSULATOR	TEFLON	NATURAL		REVISED		
3 CONTACT PIN	PHOS. BRONZE	GOLD		ESD		
4						
5						
6						
7						
8				DO NOT SCALE DRAWING		
TITLE		SIZE	FSCN NO	DWG. NO	REV	
D-SUB SEMI-RIGID JACK		A	99001	212109.DWG	NC	
SCALE		NA	PART NO.	SHEET		
			212109	1 OF 1		