

Specifications

Drawing No.	USY1M-H1-16575-00 1 / 10
Issued Date.	Jun,3,2016

Messrs: Digi-Key

Note: Part Number will be revised in case of specification change.

Product Type	Quartz Crystal
Series	CX2016DB
Frequency	48000kHz
Customer Part Number	-
Customer Specification Number	-
KYOCERA Part Number	CX2016DB48000E0DLFA1
Remarks	Pb-Free, RoHS Compliant, MSL 1

Customer Approval

Approval Signature	Approved Date	
	Department	
	Person in charge	

Seller

KYOCERA Crystal Device Corporation
 (Sales Division)
 6 Takeda Tobadono-cho, Fushimi-ku, Kyoto
 612-8501 Japan
 TEL. No. 075-604-3500
 FAX. No. 075-604-3501

Manufacturer

KYOCERA Crystal Device Corporation
 Crystal Units Division
 5850, Higashine-Koh, Higashine-Shi, Yamagata
 999-3701 Japan
 TEL. No. 0237-43-5611
 FAX. No. 0237-43-5615

Design Department	Quality Assurance	Approved by	Checked by	Issued by
KYOCERA Crystal Device Corporation Crystal Unit Design Engineering Section Crystal Units Division	S.Itoh	T.Soda	A.Muraoka	Y.Nozaki

Revision History

Rev.No.	Description of revise	Date	Approved by	Checked by	Issued by
00	First Edition	Jun,3,2016	T.Soda	A.Muraoka	Y.Nozaki

1. APPLICATION

The purpose of this document is applied to CX2016DB quartz crystal.

2. KYOCERA PART NUMBER

CX2016DB48000E0DLFA1

3. RATINGS

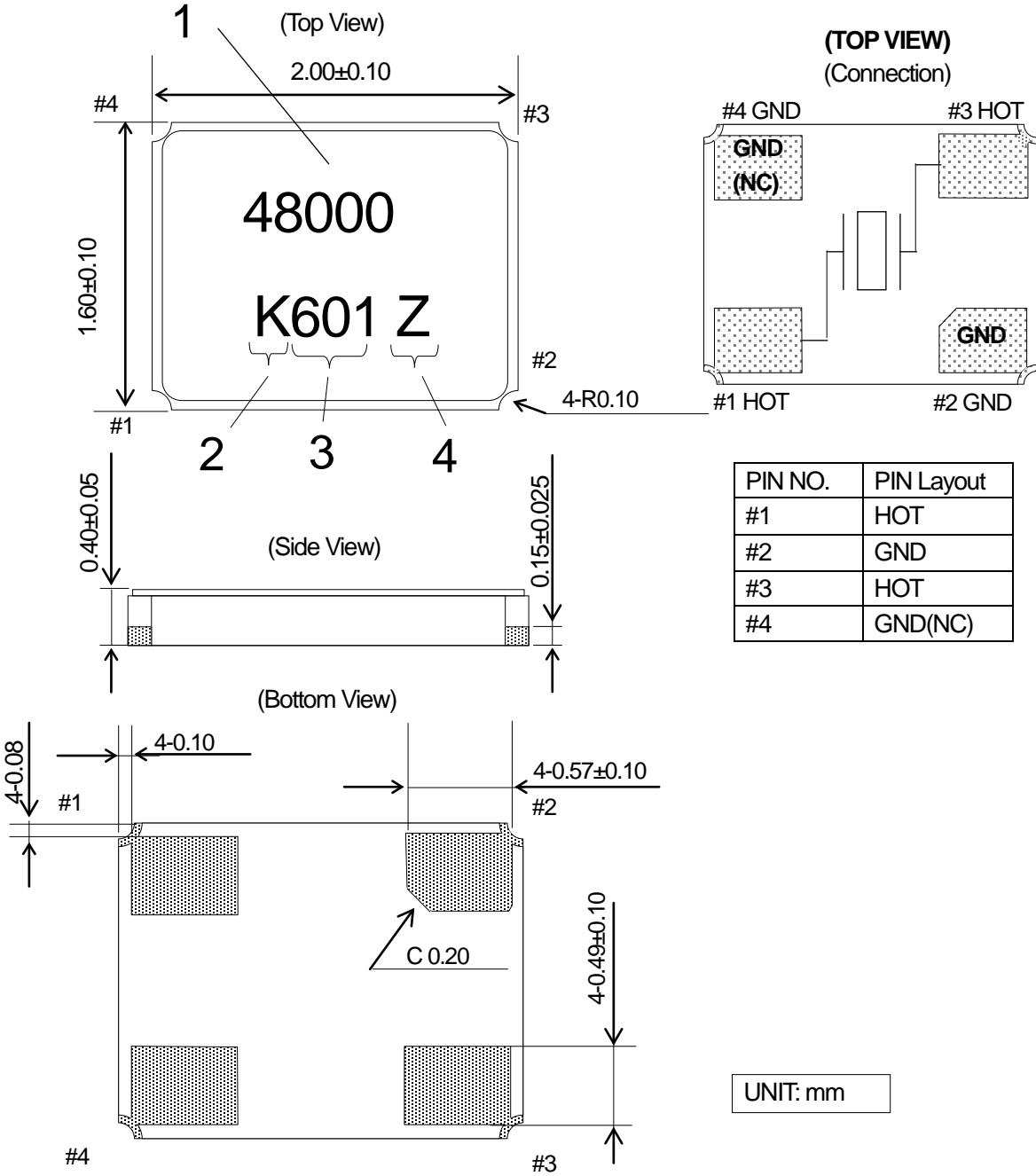
Items	SYMB.	Rating	Unit	Remarks
Operating Temperature range	Topr	-30~+85	deg. C	
Storage Temperature range	Tstg	-40~+85	deg. C	

4. CHARACTERISTICS

4-1 ELECTRICAL CHARACTERISTICS

Items	Electrical Specification					Test Condition	Remarks
	SYMB.	Min	Typ.	Max	Unit		
Mode of Vibration		Fundamental					
Nominal Frequency	F0		48		MHz		
Nominal Temperature	T _{NOM}		+25		°C		
Load Capacitance	CL		11.1		pF	IEC 60444-8 STD (Pi circuit 41901A)	
Frequency Tolerance	df/F	-8.0		+8.0	PPM	Network Analyzer E5100A	
Frequency Temperature characteristics	df/F	-10.0		+10.0		-30~+85°C	
Frequency Ageing Rate		-2.0		+2.0		5 years	At +25±3°C
Equivalent Series Resistance	ESR			22	Ω		
Spurious mode series resistance		1100			Ω		±700kHz
Drive Level	Pd	10		100	μW		
Insulation Resistance	IR	500			MΩ	100V(DC)	
Shunt Capacitance	C ₀	0.64	0.84	1.04	pF	IEC 60444-8 STD (Pi circuit 41901A)	
Motional Capacitance	C ₁	2.16	3.16	4.16	fF		
Motional Inductance	L ₁	1.00	3.49	4.00	mH		

5. APPEARANCES, PHYSICAL DIMENSION
OUTLINE DIMENSION (not to scale)

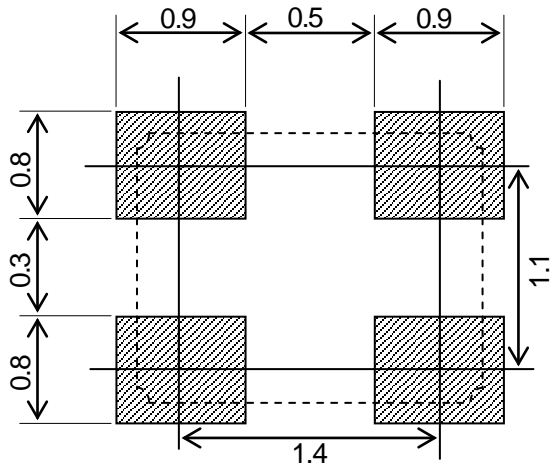


MARKING

- | | | |
|---|------------------------|---|
| 1 | Nominal Frequency | First 5digit of the frequency is indicated. |
| 2 | Identification | [K] is to indicate 1Pin direction. |
| 3 | Date Code | Last 1 Digit of YEAR and WEEK (Ex) 2016,Jan,01 → 601 |
| 4 | Manufacturing Location | Y→Japan (Yamagata)
Z→Japan (Shiga Yohkaichi)
T→Thailand |

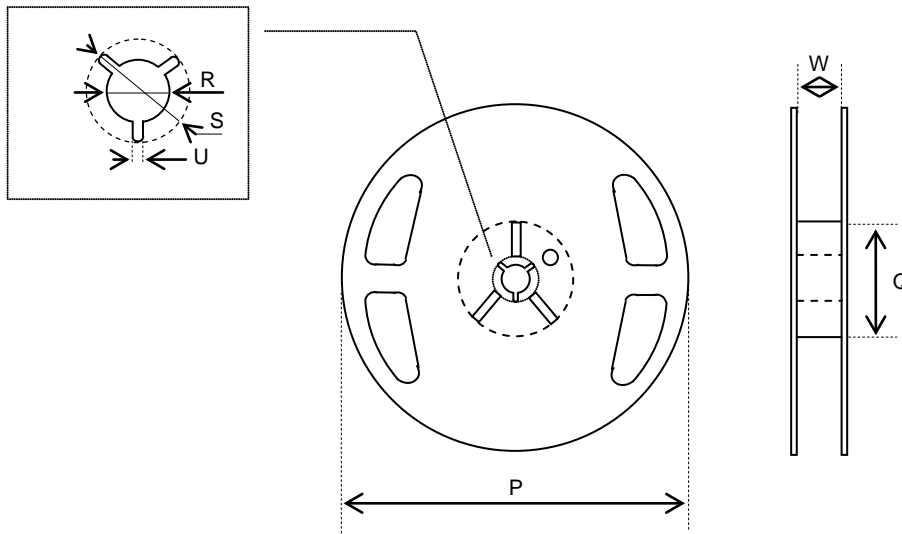
*The font of marking is for reference only.

6. RECOMMENDED LAND PATTERN (not to scale)



UNIT: mm

7-5.Reel Specification



φ180 Reel (3,000 pcs Max.)

Symbol	P	Q	R
Dimension	φ180 +0/-3	φ60 +1/-0	φ13±0.2
Symbol	S	U	W
Dimension	φ21±0.8	2.0±0.5	9±1

(Unit mm)

φ330 Reel (15,000 pcs Max.)

Symbol	P	Q	R
Dimension	φ330±2.0	φ100±1.0	φ13±0.2
Symbol	S	U	W
Dimension	φ21±0.8	2.0±0.5	9.4±1.0

(Unit mm)

8.6 Resistance to Moisture

Test condition

The quartz crystal unit shall be stored at a temperature of $+60\pm 2^{\circ}\text{C}$ with relative humidity of 90% to 95% for 240 h. Then it shall be subjected to room temperature for 1h before measurement.

8.7 Soldering condition

1.) Type of solder

Material → lead free solder paste

Melting point → $+220\pm 5^{\circ}\text{C}$

2.) Reflow temp.profile

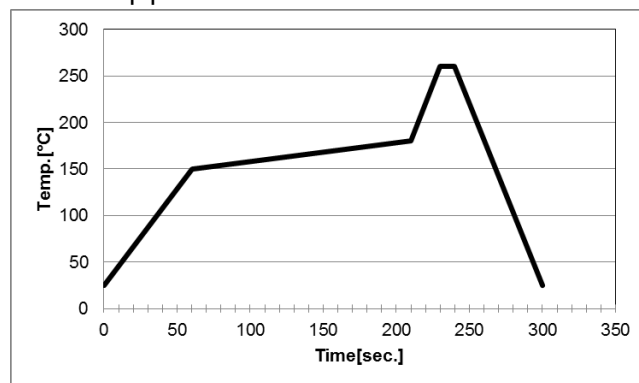
	Temp [°C]	Time[sec]
Preheating	+150 to +180	150 (typ.)
Peak	$+260\pm 5$	10 (max.)
Total	-	300 (max.)

Frequency shift : $\pm 2\text{ppm}$

3.) Hand Soldering $+350^{\circ}\text{C}$ 3 sec max

4.) Reflow Times 2 times in below Reflow temp. profile

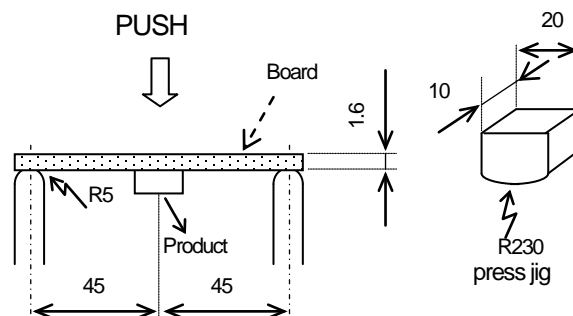
Reflow temp.profile



8.8 Bending Strength

Solder this product in center of the circuit board (40mm X 100mm), and add deflection of 3mm.

Test board : $t=1.6\text{mm}$



UNIT: mm

9. Cautions for use

(1) Soldering upon mounting

There is a possibility to influence product characteristics when Solder paste or conductive glue comes in contact with product lid or surface.

(2) When using mounting machine

Please minimize the shock when using mounting machine to avoid any excess stress to the product.

(3) Conformity of a circuit

We strongly recommend to make sure that Negative resistance (Gain) of IC is designed to be 3 times the ESR (Equivalent Series Resistance) of crystal unit.

10. Storage conditions

Please store product in below conditions, and use within 6 months.

Temperature +18 to +30°C, and Humidity of 20 to 70 % in the packaging condition.

11. Manufacturing location

Kyocera Crystal Device Corporation Yamagata Plant

Kyocera Crystal Device Corporation Shiga Yohkaichi Plant

Kyocera Crystal Device (Thailand) Co., Ltd

12. Quality Assurance

To be guaranteed by Kyocera Crystal Device Quality Assurance Division

13. Quality guarantee

In case when Kyocera Crystal Device Corporation rooted failure occurred within 1year after its delivery, substitute product will be arranged based on discussion. Quality guarantee of product after 1year of its delivery is waived.

14. Others

In case of any questions or opinions regarding the Specification, please have it in written manner within 45 days after issued date.