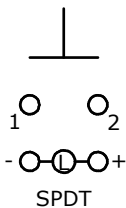
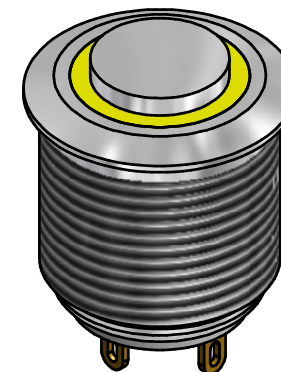
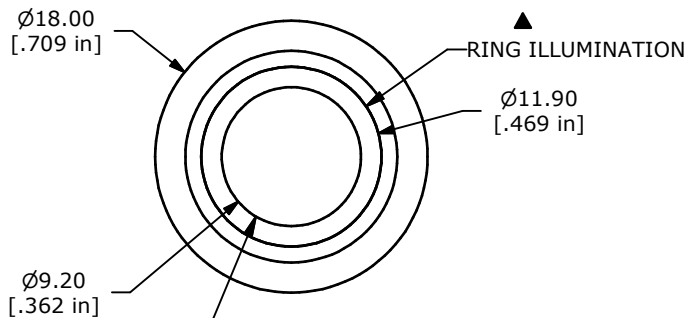
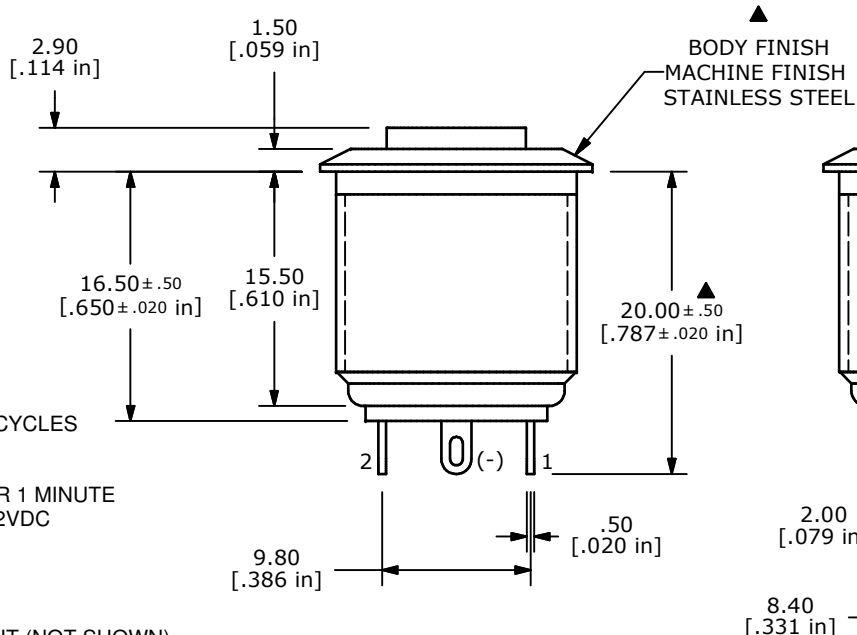


SWITCH FUNCTION	
POS. 1	POS. 2
OFF	(ON)
OPEN	1-2

(ON) = MOMENTARY



▲ CONTACT CONFIGURATION



▲ NOTE 15  
HARDWARE SUPPLIED

- NOTE:
1. ALL DIMENSIONS IN MM [INCH]
  2. GENERAL TOLERANCE: X.X=±0.4  
X.XX=±0.25
  3. TERMINAL NUMBERS FOR REF ONLY
  - ▲ 4. CONTACT MATERIAL: SILVER PLATED
  5. RATING: 2A 48VDC
  6. ELECTRIC LIFE: 200,000 MAKE-AND-BREAK CYCLES AT FULL LOAD.
  7. INSULATION RESISTANCE: 1,000 MΩ MIN.
  8. DIELECTRIC STRENGTH: 2,000 VAC MIN. FOR 1 MINUTE
  9. CONTACT RESISTANCE: 50mΩ MAX. @ 1A 12VDC
  10. OPERATING TEMP.: -20°C to 55°C
  - ▲ 11. TRAVEL: 1.8mm
  12. ▲ DENOTES CRITICAL PARAMETER.
  - ▲ 13. ILLUMINATION COLOR: YELLOW
  14. HARDWARE SUPPLIED: O-RING AND HEXNUT (NOT SHOWN)
  15. ILLUMINATION BASE RATING: 20mA 1.8V
  16. 2002/95/EC (ROHS) COMPLIANT



TITLE PV6H240SS-351

A	20902	RELEASE FOR PRODUCTION	12/3/12	EBP
REV	PCR NO	DESCRIPTION	DATE	BY

THE INFORMATION CONTAINED IN THIS DOCUMENT IS PROPRIETARY TO E-SWITCH AND IS NOT TO BE COPIED OR TRANSFERRED

SCALE	DATE 12/3/2012	DR EBP	DWG 52-PV6H240SS351	REV A
-------	-------------------	-----------	------------------------	----------