

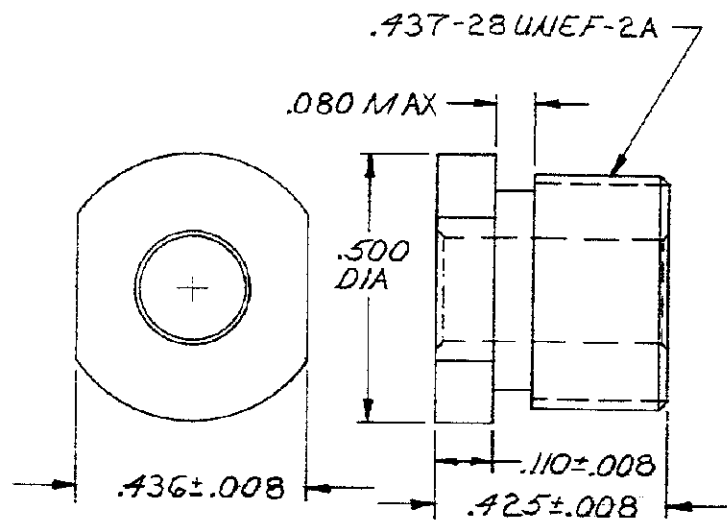
© COPYRIGHT 1979 BY AMP INCORPORATED, HARRISBURG, PA.
ALL INTERNATIONAL RIGHTS RESERVED. AMP INCORPORATED PRODUCTS
COVERED BY U.S. AND FOREIGN PATENTS AND/OR PATENTS PENDING.

		REVISIONS				1	LOC	AJ	DIS
P	F	ZONE	LTR	DESCRIPTION	DATE	APPR			
✓	✓		0	NPS 70-2528	9/18/79	PRG			
✓	✓		A	ADD-2 NPS 80-2695	5/20/80	gls			
✓	✓		B	CHNG DIM	6/26/80	gls			

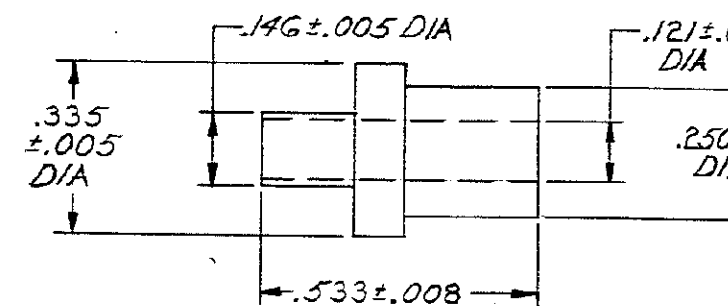
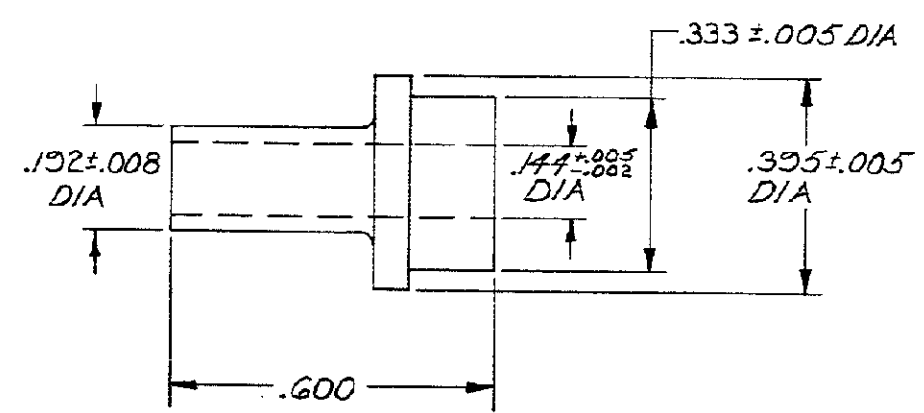
- ① GOLD PL. (MIL-G-45204)
- ② BR. TIN PL. (MIL-T-15727)

D
227347
C
B
A

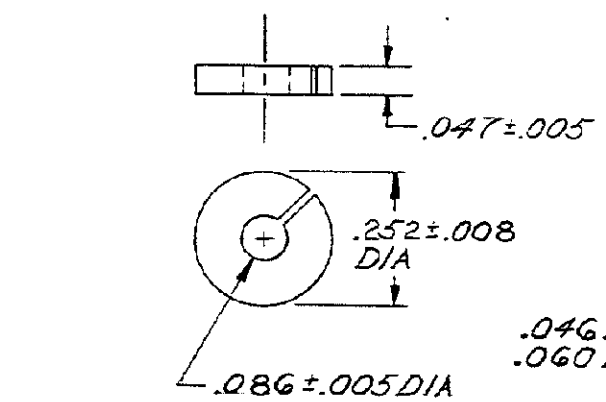
NUT, CONNECTOR
MATL: BRASS, QQ-B-626
PLATING SEE TABLE
PART NO. SEE TABLE (ITEM 1)



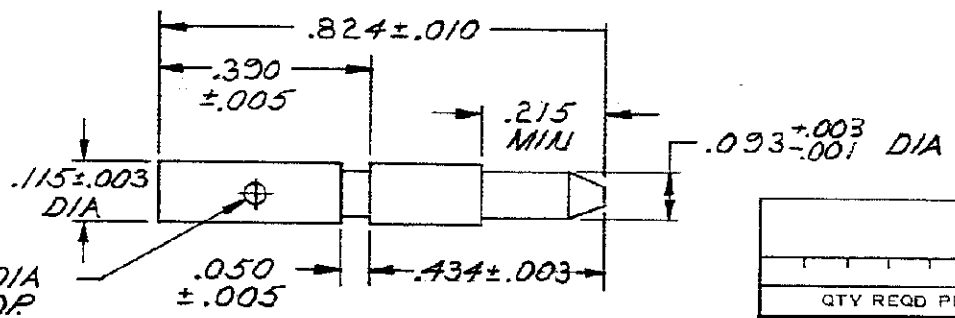
ADAPTOR, CONNECTOR
MATL: BRASS, QQ-B-626
PLATING SEE TABLE
PART NO. SEE TABLE (ITEM 2)



INSULATOR, CONNECTOR
MATL: TEFLON, MIL-P-19468A
PART NO. 227403-1



BEAD, INSULATOR
MATL: TEFLON, MIL-P-19468A
PART NO. 227406-1



PIN, CONNECTOR
MATL: BRASS, QQ-B-626
GOLD PL, MIL-G-45204
PART NO. 227404-2

1	-	②		227405-3	ADAPTOR CONN.
1	-	②		227402-3	NUT, CONNECTOR
-	1	①		227405-2	ADAPTOR CONN.
-	1	①		227402-2	NUT CONNECTOR
-	2	-	PLATING	DWG SIZE	PART NO OR IDENTIFYING NO

QTY REQD PER ASSY		REVISION OF EACH ASSY NO (WHEN BLANK, USE DWG REVISION)		PARTS LIST	
UNLESS OTHERWISE SPECIFIED DIMENSIONS ARE IN INCHES. TOLERANCES ON: DECIMALS ±.008 ANGLES ± 5°		CONTRACT NO		AMP INCORPORATED Harrisburg, Pa.	
MATERIAL		DR MRS [Signature] 3-21-79		NAME	
FINISH		CHK [Signature] 9/18/79		ARING PIN, SOLDER ASSY SIZE 1	
		APPR [Signature] 9/19/79		SIZE B	
		DSGN APPD [Signature] 9-20-79		CODE IDENT NO 00779	
		OTHER APPD		DRAWING NO 227347	
				SCALE	
				SHEET 1 of 1	