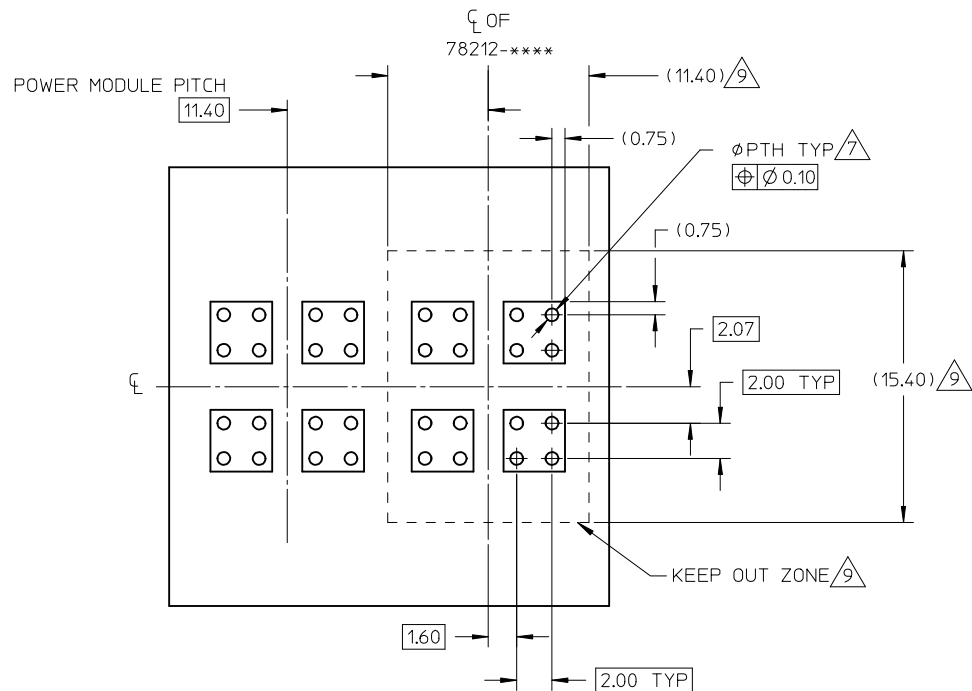
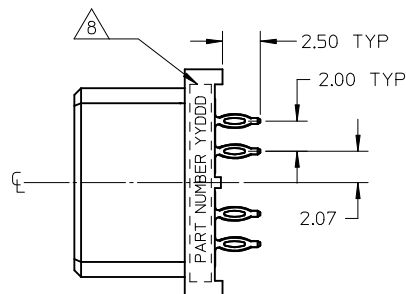
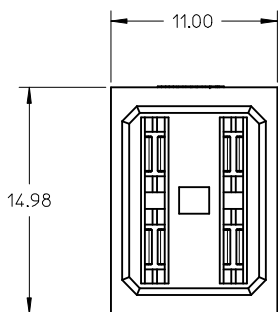
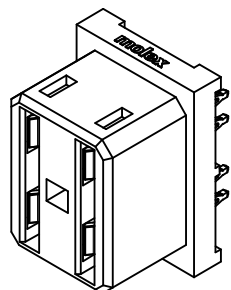
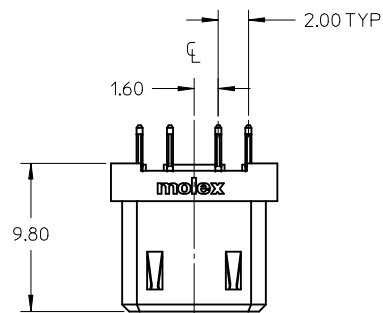


10	9	8	7	6	5	4	3	2	1
PART NUMBER	PLATING OPTION	PACKAGING							
78212-1001	TIN PLATING	TRAY							



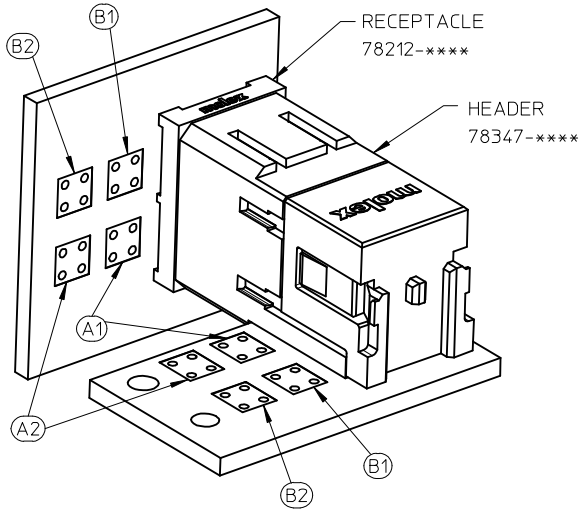
RECOMMENDED PCB LAYOUT

(COMPONENT SIDE SHOWN)
MINIMUM BOARD THICKNESS: 1.60mm

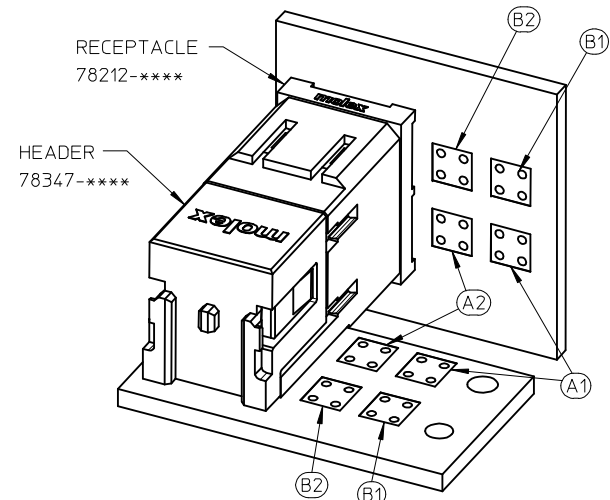
NOTES:

- MATERIAL:
HOUSING - LCP, GLASS FILLED, UL94-V0, COLOR: BLACK
POWER PIN - COPPER ALLOY
- FINISH OPTION:
TIN - 0.76µm MINIMUM GOLD AT CONTACT AND
2.54µm MINIMUM TIN AT SOLDER TAIL AREA OVER
1.27µm MINIMUM NICKEL UNDERPLATE OVERALL.
- PRODUCT SPECIFICATION: PS-78213-001.
- PACKAGING SPECIFICATION: PK-78212-001.
- MATES WITH 78347-****, 78642-****, 78698-**** OR 78399-****
- REFER TO SHEET 2 FOR RECOMMENDED PCB LAYOUT.
- REFER TO MOLEX PRODUCT SPECIFICATION PS-78213-001 FOR PLATED THROUGH-HOLE SPECIFICATIONS.
- PART NUMBER AND DATE CODE (YYDDD) APPROXIMATELY SHOWN.
- KEEP OUT ZONE FROM OTHER COMPONENTS.

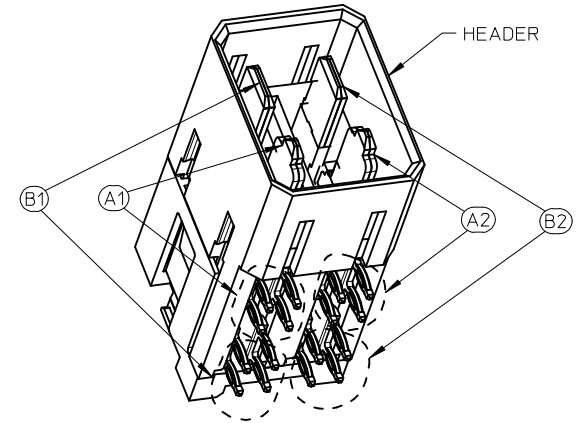
UPDATED PG2 EC NO: S2014-0872 2014/03/13 DRWN: SHONG 2015/04/07 CHKD: HICGOH 2015/04/07 APPR: SHILENI 2015/04/07	QUALITY SYMBOLS ▽=0 ◻=0	GENERAL TOLERANCES (UNLESS SPECIFIED)		DIMENSION STYLE	SCALE	DESIGN UNITS	THIRD ANGLE PROJECTION	
				MM ONLY	NTS	METRIC		
		mm	INCH	DRAWN BY	DATE	TITLE		
		4 PLACES	± --- ± ---	LNG	2007/11/26	IMPACT POWER, 3 PAIR VERTICAL RECEPTACLE PRESS-FIT, HALOGEN FREE		
3 PLACES	± --- ± ---	CHECKED BY	DATE	MOLEX INCORPORATED				
2 PLACES	± 0.25 ± ---	APPROVED BY	DATE	DOCUMENT NO.				
1 PLACE	± --- ± ---	SHONG	2007/12/11	SD-78212-002				
ANGULAR ± 3 °		MATERIAL NO.		SHEET NO.				
DRAFT WHERE APPLICABLE MUST REMAIN WITHIN DIMENSIONS		SEE TABLE		1 OF 2				
A6		SIZE		THIS DRAWING CONTAINS INFORMATION THAT IS PROPRIETARY TO MOLEX INCORPORATED AND SHOULD NOT BE USED WITHOUT WRITTEN PERMISSION				



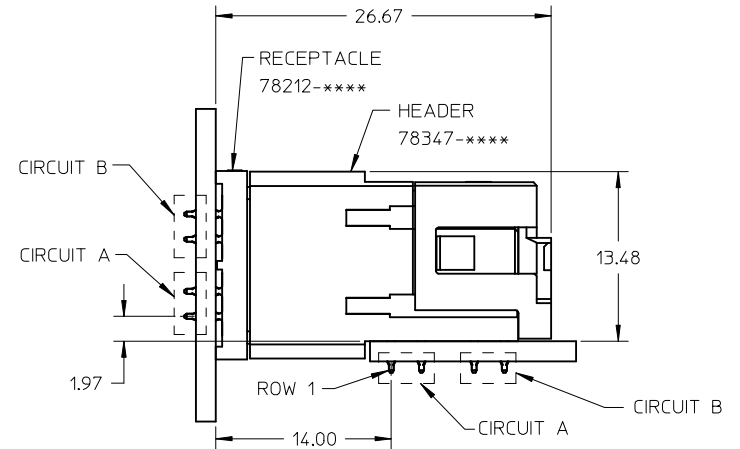
SERIES NUMBER 78347, RIGHT HOLD DOWN:
1 POWER MODULE AND HOLD DOWN REMOVED TO
ILLUSTRATE CIRCUIT PATH OF MATED SYSTEM



SERIES NUMBER 78347, LEFT HOLD DOWN:
1 POWER MODULE AND HOLD DOWN REMOVED TO
ILLUSTRATE CIRCUIT PATH OF MATED SYSTEM



PIN NUMBER ASSIGNMENT BASED ON HEADER SIDE:
A1, B1 ON THE LEFT,
A2, B2 ON THE RIGHT.



MATED SYSTEM OF 78347 & 78212

UPDATED PG2 EC NO: S2014-0872 DRWNSHONG 2014/03/13 CHKD:HCGOH 2015/04/07 APPR:SHLENI 2015/04/07	QUALITY SYMBOLS	GENERAL TOLERANCES (UNLESS SPECIFIED)		DIMENSION STYLE MM ONLY		SCALE NTS	DESIGN UNITS METRIC	THIRD ANGLE PROJECTION
	$\nabla_F = 0$	4 PLACES	mm	INCH	DRAWN BY LNG	DATE 2007/11/26	TITLE	
	$\nabla_E = 0$	3 PLACES	± ---	± ---	CHECKED BY ANG	DATE 2007/12/10	IMPACT POWER, 3 PAIR VERTICAL RECEPTACLE PRESS-FIT, HALOGEN FREE	
	$\nabla_D = 0$	2 PLACES	± 0.25	± ---	APPROVED BY SHONG	DATE 2007/12/11		
	1 PLACE	± ---	± ---	MATERIAL NO.	DOCUMENT NO.	SD-78212-002		SHEET NO. 2 OF 2
	0 PLACE	±	±	SEE TABLE		THIS DRAWING CONTAINS INFORMATION THAT IS PROPRIETARY TO MOLEX INCORPORATED AND SHOULD NOT BE USED WITHOUT WRITTEN PERMISSION		
	ANGULAR ± 3 °		DRAFT WHERE APPLICABLE MUST REMAIN WITHIN DIMENSIONS		SIZE A3			