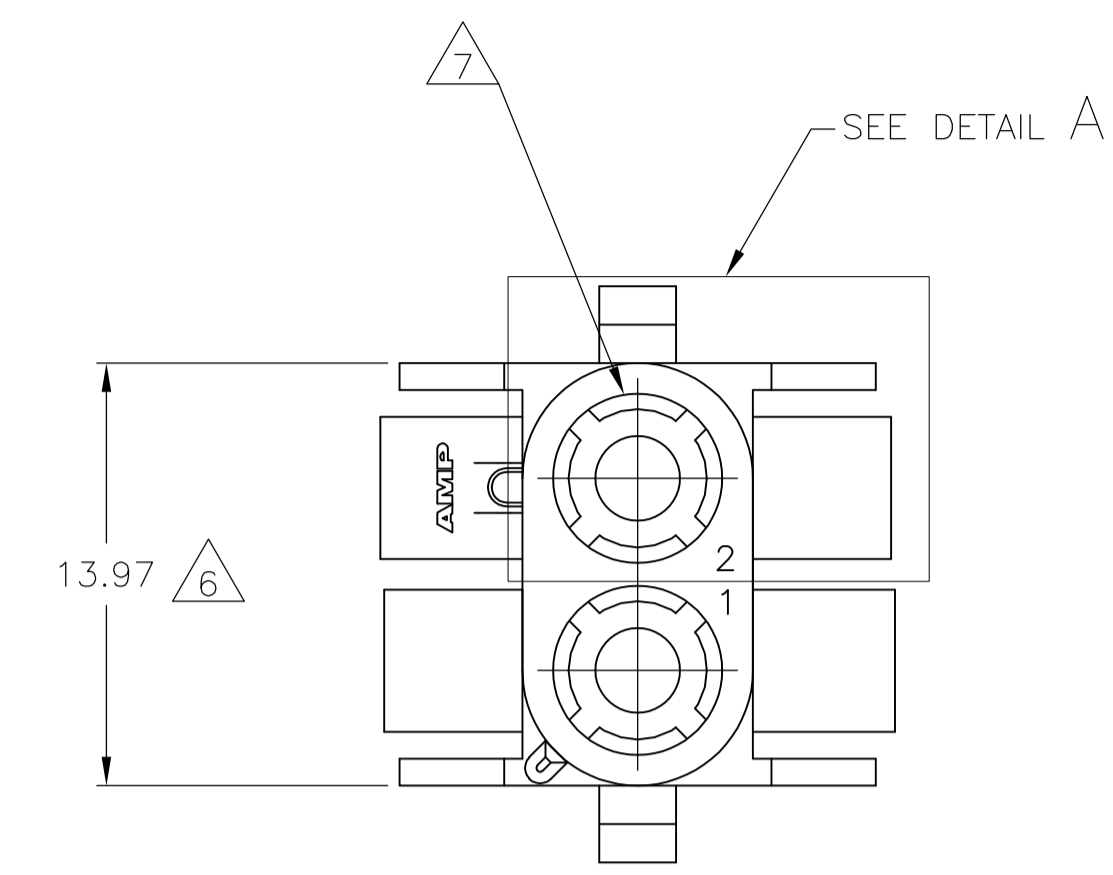
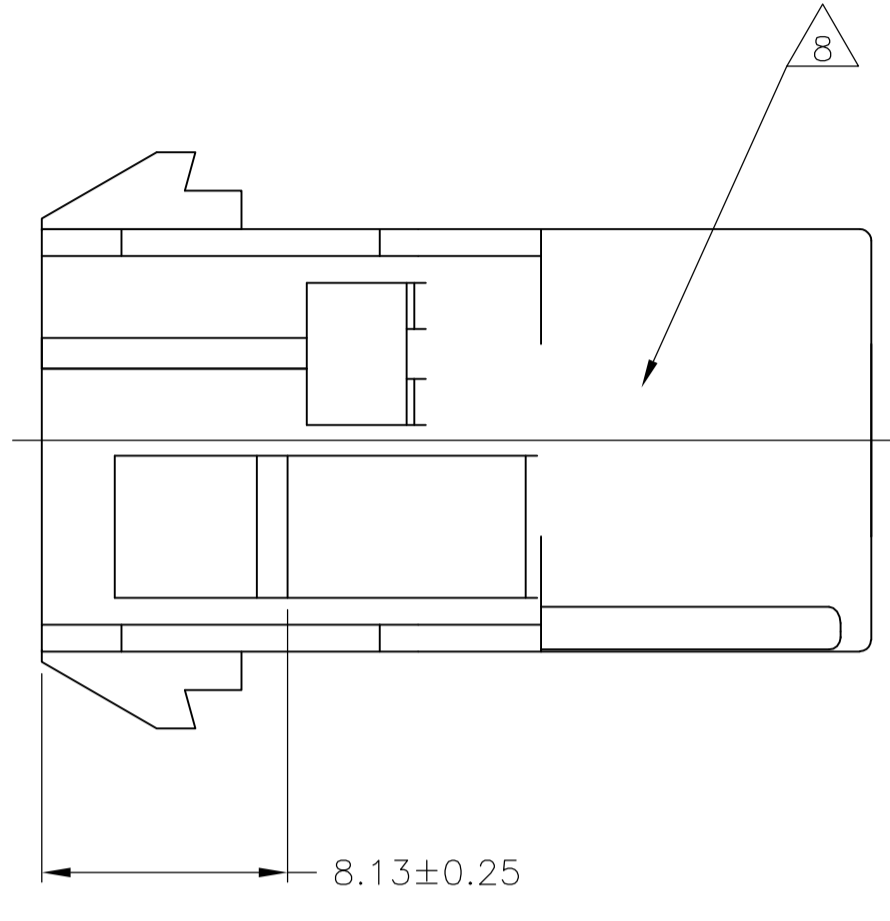
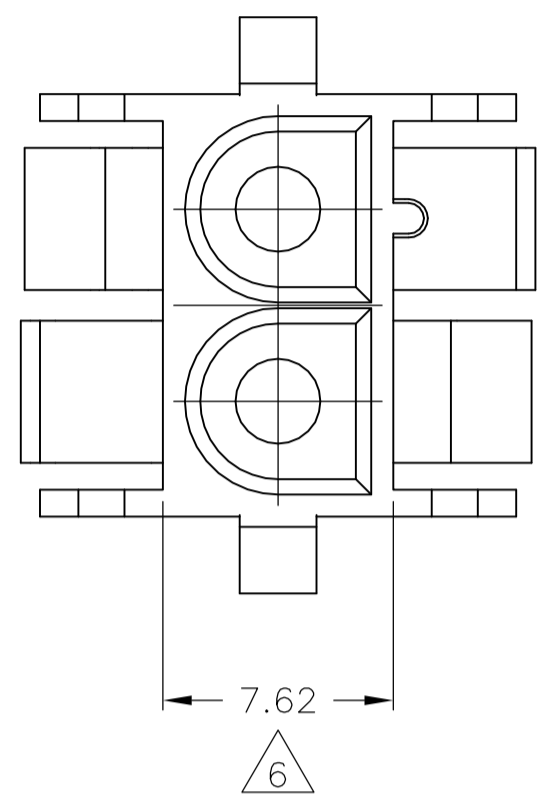
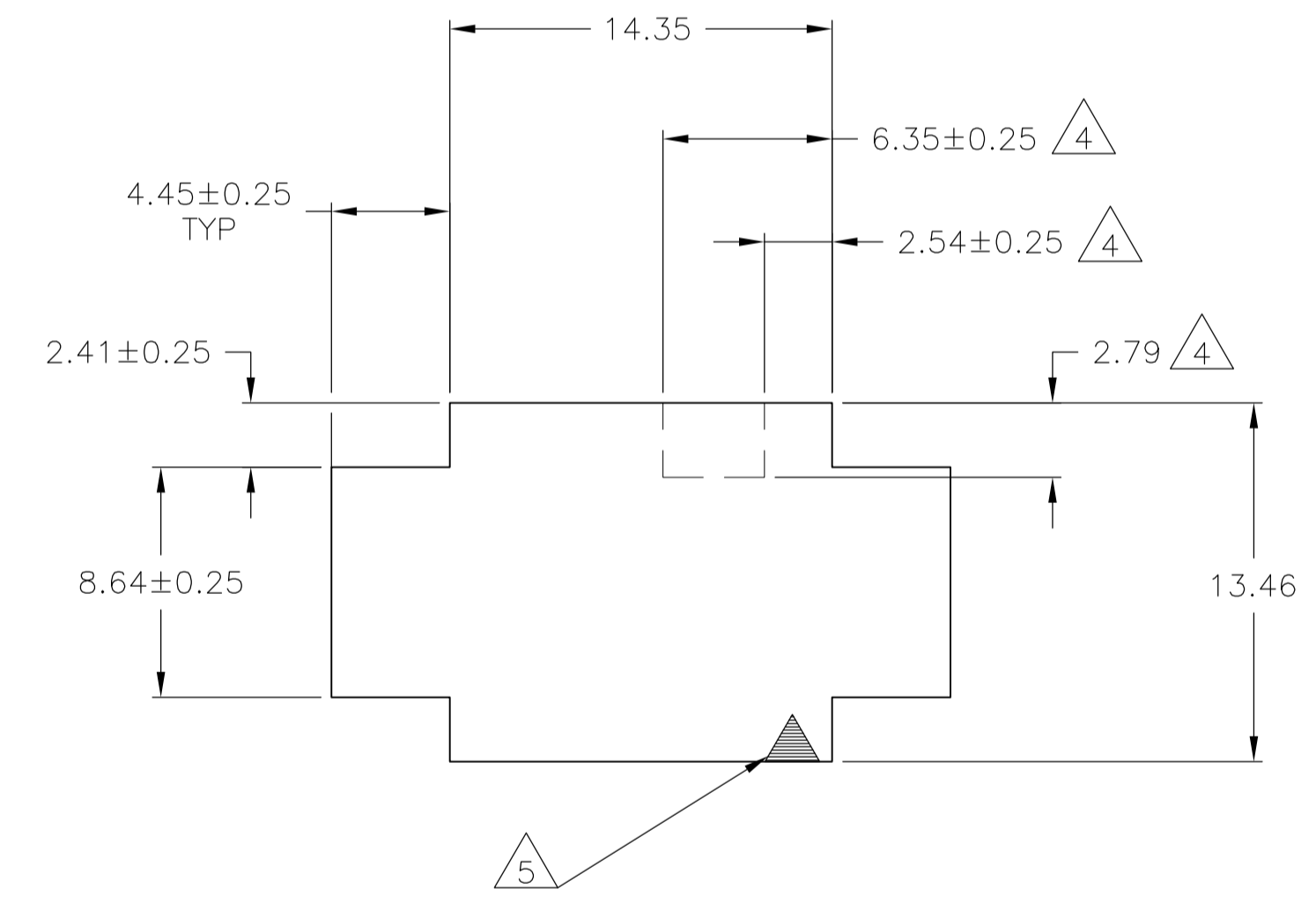
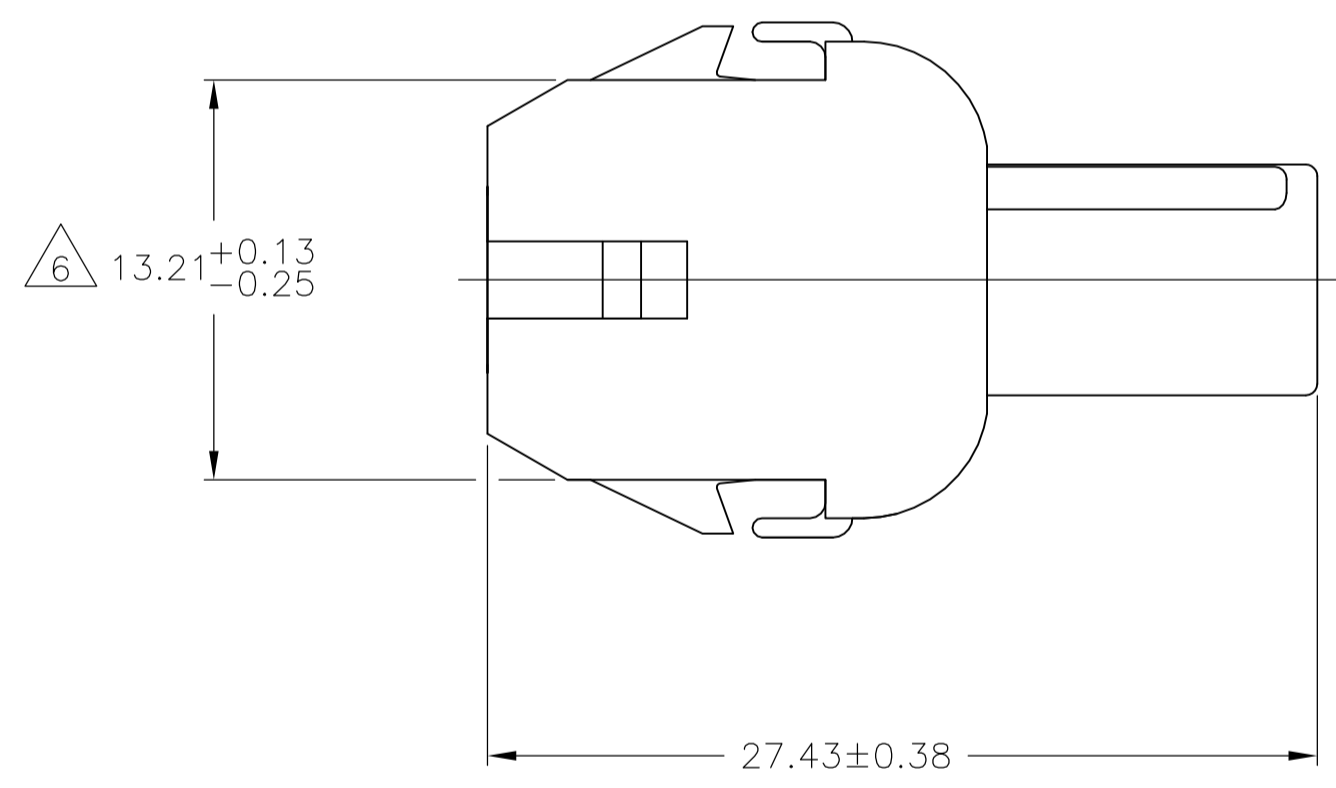
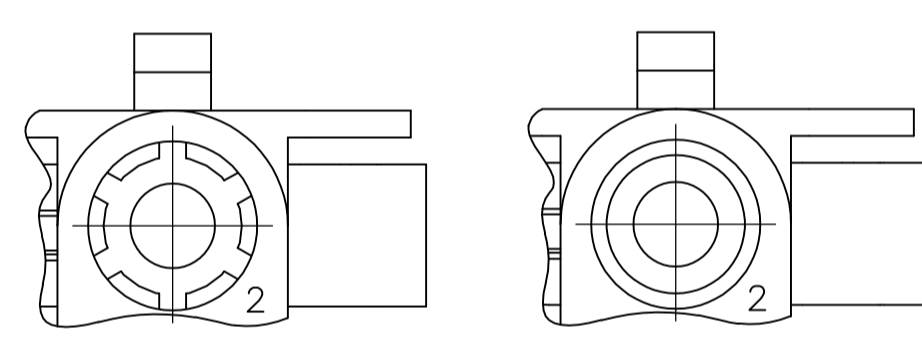


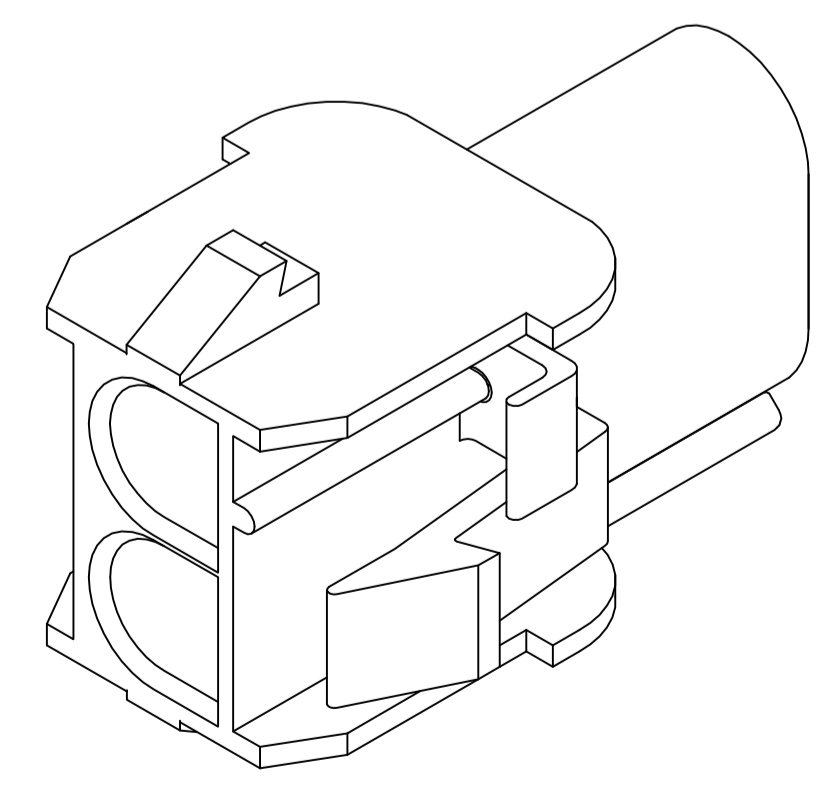
LOC		DIST		REVISIONS			
P	LTR	DESCRIPTION	DATE	DWN	APVD		
B		REV PER ECR 10-018921	13SEPT10	JR	TM		



- MATES WITH APPROPRIATE UNIVERSAL MATE-N-LOK™ PLUG.
- RECOMMENDED PANEL THICKNESS 0.76 - 2.29.
- PANEL MUST BE PUNCHED SO THAT THE HOUSING ENTERS THE PANEL IN THE SAME DIRECTION AS THE PUNCH.
- OPTIONAL FOR KEYING HOUSING IN PANEL.
- CIRCUIT NUMBER 1 LOCATION.
- DIMENSION INDICATED IS AS MOLDED. ADDITIONAL GROWTH DUE TO SUBSEQUENT MOISTURE ABSORPTION MAY OCCUR.
- FOUR RIBS EQUALLY SPACED, NO SPECIFIC ORIENTATION. NO RIBS OR SIX RIBS EQUALLY SPACED, NO SPECIFIC ORIENTATION, OPTIONAL.
- UNDERWRITERS RECOGNIZED COMPONENT LOGO AND CSA CERTIFICATION LOGO TO BE LOCATED ONCE EACH ON SIDE OF HOUSING.
- FLAMMABILITY V2 FOR THICKNESS 0.38mm, 1.5mm, and 3.0mm PER IEC 60695-11-10.
- GLOW-WIRE FLAMMABILITY (GWF) 800°C FOR THICKNESS 0.38mm AND 0.75mm PER IEC 60695-2-12.
- GLOW-WIRE FLAMMABILITY (GWF) 960°C FOR THICKNESS 1.5mm AND 3.0mm PER IEC 60695-2-12.
- GLOW-WIRE IGNITION (GWIT) 825°C FOR THICKNESS 0.38mm, 0.75mm, 1.5mm AND 3.0mm PER IEC 60695-2-13.



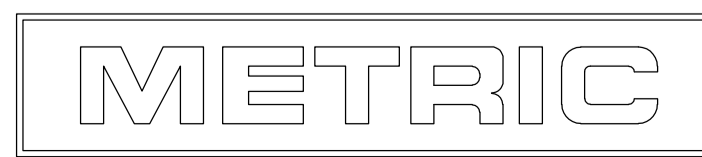
RECOMMENDED PANEL CUT OUT



3-DIMENSIONAL MODEL NTS

	3	.118	27.43	1.080
	2.79	.110	14.35	.565
	2.54	.100	13.97	.550
	2.41	.095	13.46	.530
	2.29	.090	13.21	.520
	0.76	.030	8.64	.340
	0.4	.016	8.13	.320
	0.38	.015	7.62	.300
	0.25	.010	6.35	.250
	0.13	.005	4.45	.175
	MM	IN	MM	IN

CONVERSION TABLE



THIS DRAWING IS A CONTROLLED DOCUMENT.		DWN K. WHITAKER 19JUL2007	Tyco Electronics Corporation Harrisburg, Pa 17105-3608
DIMENSIONS: mm		CHK D. COLEY 19JUL2007	
TOLERANCES UNLESS OTHERWISE SPECIFIED:		APP'D D. COLEY 19JUL2007	NAME CAP.2 CIRCUIT, UNIVERSAL MATE-N-LOK
0. PLC ± -	1. PLC ± -	APPLICATION SPEC	SIZE A1
2. PLC ± 0.13	3. PLC ± -	WEIGHT	CAGE CODE 00779
4. PLC ± -	ANGLES ± 1°	FINISH	DRAWING NO 1586856
MATERIAL NYLON,UL 94V-2		CUSTOMER DRAWING	
		SCALE 4:1	SHEET 1 of 1
		REV B	

NATURAL	1586856-1
COLOR	PART NO