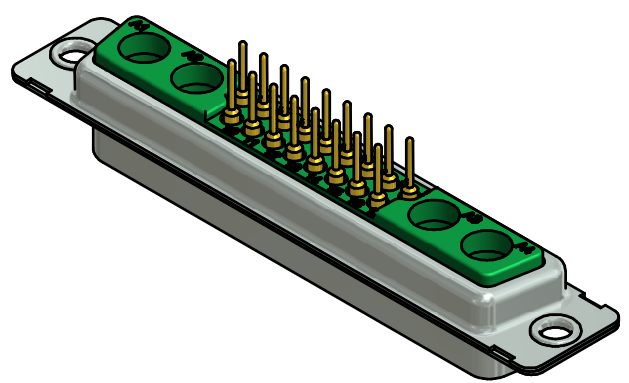
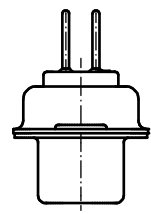
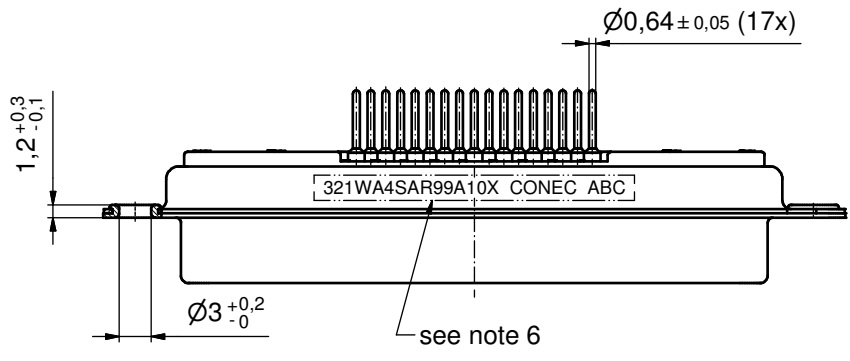
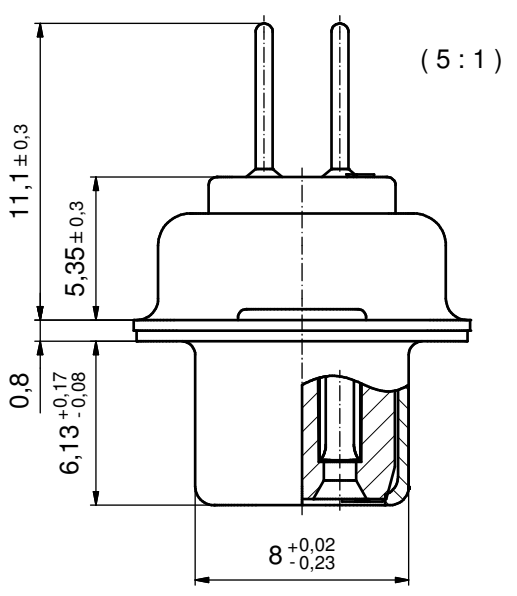
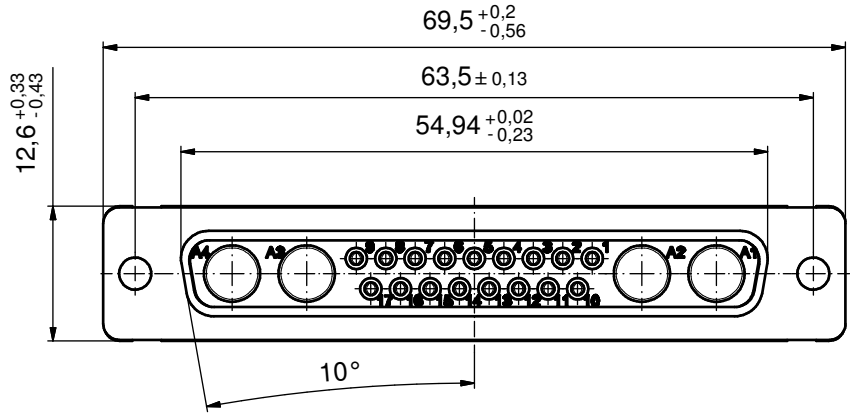


F I E D C B A

D

D



**NOTES:**

1. METALSHELLS: STEEL; min. 315µm TIN over 40-80µm NICKEL
2. INSULATORS: PBT GF UL 94 V-0; GREEN
3. SIGNAL CONTACTS: COPPER ALLOY  
PLATING: GOLD FLASH over NICKEL
4. NO CONTACTS ON POS.A1 - A4
5. P.C.B. HOLE DRILLINGS SEE SHEET 2
6. CONNECTOR IS PART MARKED: **321WA4SAR99A10X CONEC ABC**

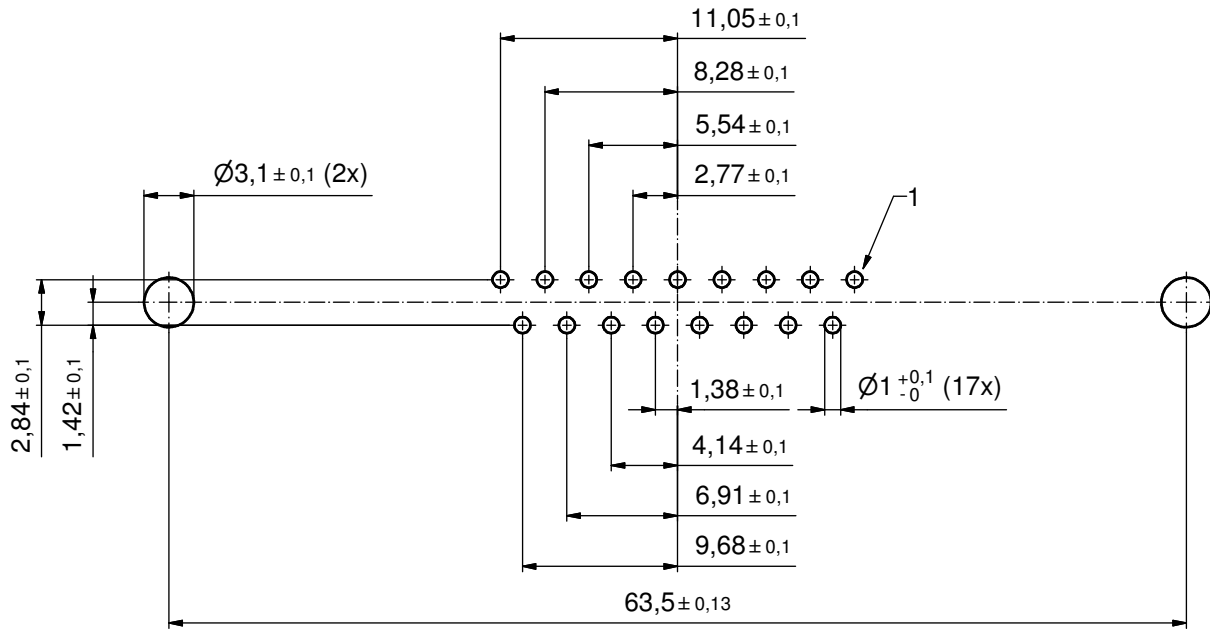
Directive 2002/95/EC RoHS compliant

THIS DRAWING MAY NOT BE COPIED OR REPRODUCED IN ANY WAY, AND MAY NOT BE PASSED ON TO A THIRD PARTY WITHOUT WRITTEN PERMISSION. OWNERSHIP AND COPYRIGHT OF CONEC GmbH DO NOT ALTER CAD DRAWING BY HAND				tolerance			scale:	2:1 (5:1)			
				dim. in mm			material:		see notes		
				drawn	25.07.11	Henneboel	title: <b>D-SUB COMBINATION FEMALE</b> 21WA4S			dwg no:	DIN-A3
				appd.	26.07.11	Fischer					
norm			13K1A3723								
rev.	a	Original	part no:	321WA4SAR99A10X		sh: 1					



F I E D C B A

P.C.B. HOLE DRILLING  
( P.C.B. TOP SIDE )



THIS DRAWING MAY NOT BE COPIED OR REPRODUCED IN ANY WAY, AND MAY NOT BE PASSED ON TO A THIRD PARTY WITHOUT WRITTEN PERMISSION. OWNERSHIP AND COPYRIGHT OF CONEC GmbH  DO NOT ALTER CAD DRAWING BY HAND				tolerance		scale: 3:1		
				dim. in mm		material: see sheet 1		
	rev.	description	date	name	date	name	title: <b>P.C.B. HOLE DRILLINGS</b> D-SUB COMBINATION FEMALE 21WA4S	
	a	Original			drawn	25.07.11		Henneboel
					appd.	26.07.11		Fischer
					norm			
					d-old			dwg no:
				<b>CONEC</b> <sup>®</sup>		13K1A3723	DIN-A3	
						part no: see sheet 1	sh: 2	